



kombainu.com

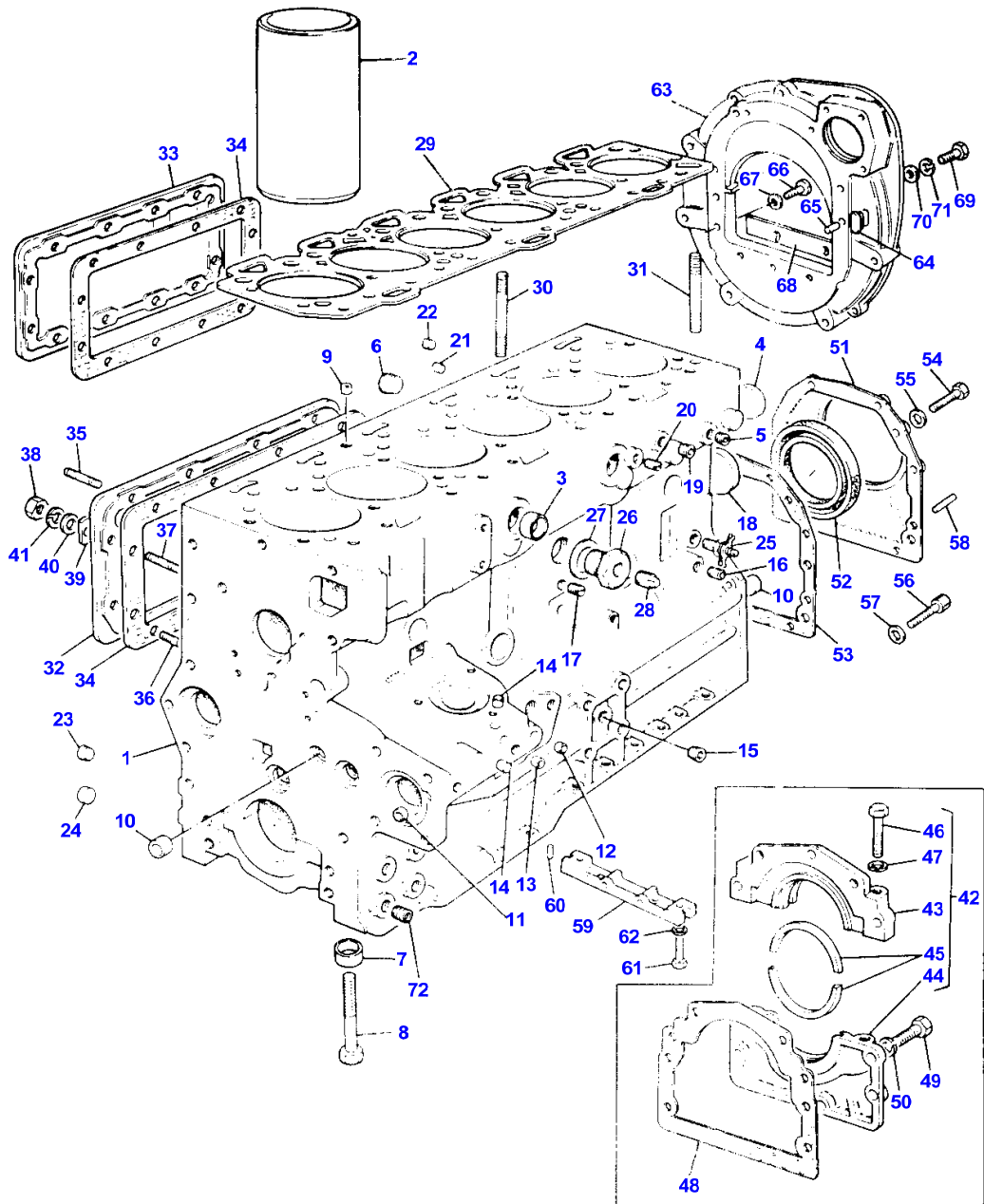


2

CYLINDER BLOCK  
 BLOC CYLINDRE  
 ZYLINDERBLOCK  
 BLOCCO CILINDRI  
 BLOQUE DE CILINDROS

00503004

3-0050-004-A



CYLINDER BLOCK - A6.354

Item	Part Number	Qty	Description	Comments
				A6.354
1	68441	1	Cylinder Block	Up to Serial or Engine Number 354UA48969
	61953	1	Block	(A) From Serial or Engine Number 354UA48970L
2	31358324	6	Liner	(1)
3	0650563	7	Plug	(1) (B)
4	0650712	1	Plug	(1)
5	0650593	1	Plug	(1)
6	0650588	3	Plug	(1)
7	33142111	14	Thimble	(1)
8	32166329	14	Bolt	(1)
9	32417134	1	Plug	
10	0650566	2	Plug	
11	32417115	1	Plug	
12	32417127	2	Plug	
13	32417143	1	Plug	Repairs and replaces 32417127
14	32417134	2	Plug	
15	0650586	1	Plug	
16	2431131	1	Plug	
17	32114116	2	Plug	
18	32416105	1	Plug	
19	0650586	1	Plug	
20	32114116	1	Plug	
21	32417133	1	Plug	
22	2431132	1	Plug	
23	0650586	1	Plug	
24	32417117	1	Plug	
25	31419	1	Cock	
26	33534117	1	Adaptor	(C)
27	2411170	1	Washer	(C)
28	0650588	1	Plug	(C)
29	36812544	1	Gasket	
30	32526311	20	Stud	Up to Serial or Engine Number 354UA32497
31	32526312	12	Stud	Up to Serial or Engine Number 354UA32497
	32526312	2	Stud	From Serial or Engine Number 354UA32498
32	37554114	1	Inspection Cover	
33	37554118	1	Inspection Cover	
34	36846408	2	Joint	
35	0826241	1	Stud	
36	0826220	21	Stud	
37	0826211	2	Stud	
38	0576002	24	Nut	
39	36151505	24	Washer	
40	0920003	2	Washer	
41	0920053	24	Washer	
42	59537	1	Kit, Housing	Up to Serial or Engine Number 354UA48969
43		1	Housing	(42) Not serviced, order 59537
44		1	Housing	(42) Not serviced, order 59537
45	36883108	2	Seal	(42)
46	0096233	2	Bolt	(42)
47	0920053	2	Washer	(42)
48	36817136	1	Joint	Up to Serial or Engine Number 354UA48969
49	0746211	11	Bolt	Up to Serial or Engine Number 354UA48969
50	0920053	11	Washer	Up to Serial or Engine Number 354UA48969
51	37513851	1	Housing	From Serial or Engine Number 354UA48970L
52	2415391	1	Seal	From Serial or Engine Number 354UA48970L
53	36817157	1	Joint	From Serial or Engine Number 354UA48970L
54	0746211	10	Bolt	From Serial or Engine Number 354UA48970L
55	0920003	10	Washer	From Serial or Engine Number 354UA48970L
56	2172530	2	Capscrew	From Serial or Engine Number 354UA48970L
57	33112111	2	Washer	From Serial or Engine Number 354UA48970L
58	0350009	2	Dowel	From Serial or Engine Number 354UA48970L
59	36277831	2	Bridge Piece	
60	32811408	4	Joint	
61	2176369	4	Screw	
62	0920521	4	Washer	

CYLINDER BLOCK - A6.354

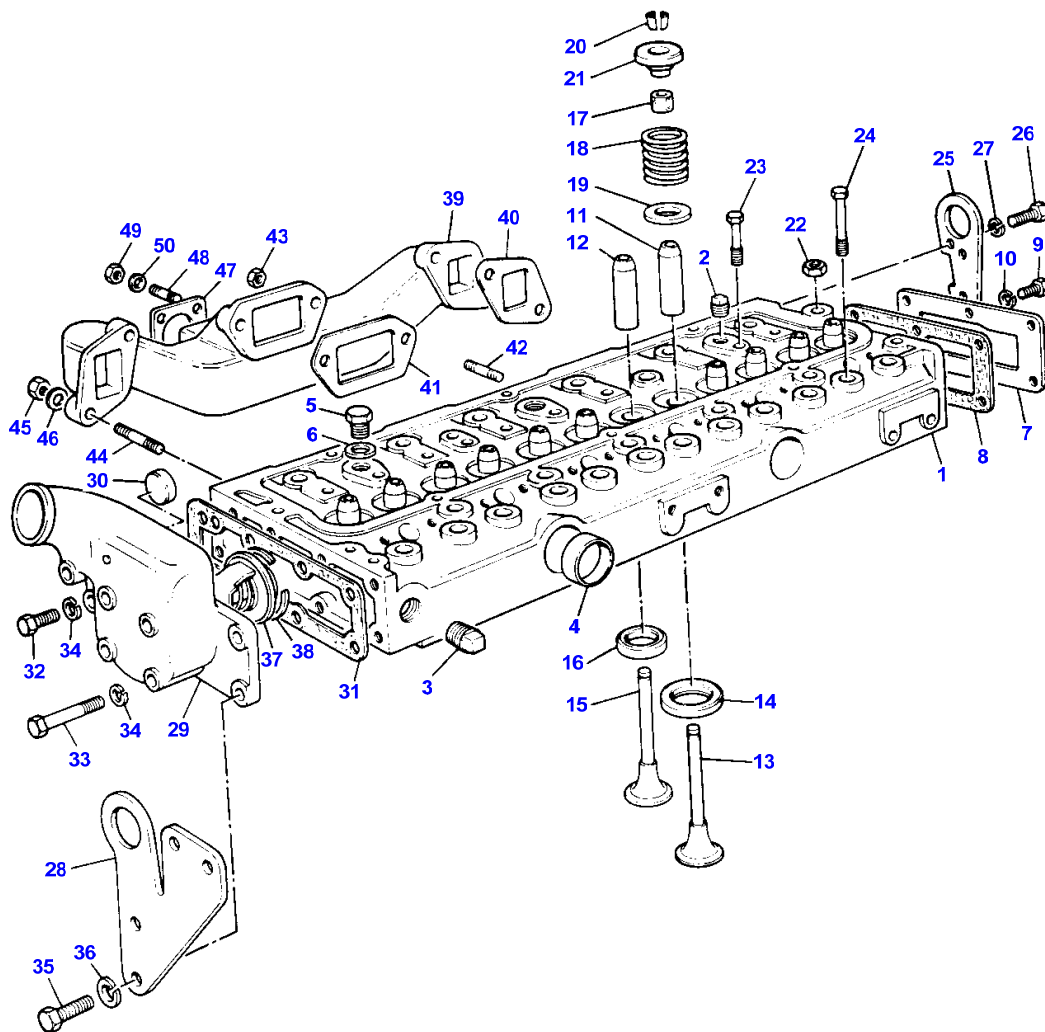
Item	Part Number	Qty	Description	Comments
63	37147644	1	Plate	Repairs and replaces 37147642
64	37813113	1	Plug	
65	32455119	2	Dowel	
66	2185051	6	Screw	
67	0920004	6	Washer	
68	36125305	1	Cover	
69	0746253	3	Screw	
70	0920003	3	Washer	
71	0920053	3	Washer	
72	2138625	8	Adaptor	(D)  (A) WAS 94952-USE 61953-2138625-8 OFF  (B) 6 OFF USED WITH 68441 OR 94952  (C) USED ONLY WITH 68441 OR 94952  (D) USED ONLY WITH 61953

6

CYLINDER HEAD  
 CULASSE  
 ZYLINDERKOPF  
 TESTATA  
 CULATA

00753004

3-0075-004-A



PRINTED IN U.K.

520 525

819611-H (1)

CYLINDER HEAD - A6.354

Item	Part Number	Qty	Description	Comments
				A6.354
1	94414	1	Cylinder Head	Repairs and replaces 68137
2	2431154	3	Plug	
3	2431154	1	Plug	(1)
4	0650563	2	Plug	(1)
5	0650203	1	Plug	(1)
				(A)
6	2411157	1	Washer	(1)
				(A)
7	0940737	1	Plate	(1)
8	0490485	1	Joint	(1)
9	0746254	6	Setscrew	(1)
10	0920053	6	Washer	(1)
11	33261732	6	Guide	(1)
12	33261752	6	Guide	(1)
13	31431315	6	Valve Inlet	(1)
				Repairs and replaces 31431641
14	33125121	6	Insert	
15	31431851	6	Valve Exhaust	(1)
				Repairs and replaces 31431881
16	33152139	6	Insert	
17	33817125	6	Seal	(1)
	33817117	6	Seal	(1)
18	0780272	12	Spring	(1)
19	33123117	12	Washer	(1)
20	33173108	12	Cotter	(1)
				(B)
21	33423122	12	Cap	(1)
22	33221316	2	Nut	(C)
23	32181424	10	Screw	From Serial or Engine Number 354UA32498
24	32181425	20	Screw	From Serial or Engine Number 354UA32498
25	36177111	1	Plate	
26	0746453	2	Setscrew	
27	0920054	2	Washer	
28	36255519	1	Bracket	
29	41313001	1	Body	Repairs and replaces 37765611
30	0650664	1	Plug	(29)
31	36846113	1	Joint	
32	0746211	1	Bolt	
33	0096239	5	Bolt	
34	0920054	6	Washer	
35	0096433	2	Bolt	
36	0920054	2	Washer	
37	2485662	1	Thermostat	
38	31736112	1	Circlip	
39	37782276	1	Exhaust Manifold	
40	36862124	2	Joint	
41	36862129	1	Joint	
42	0826450	2	Stud	
43	2188135	2	Nut	
44	0826251	4	Stud	
45	2188135	4	Nut	
46	0920469	4	Spacer	
47	36823117	1	Joint	
48	0827818	4	Stud	
49	0576065	4	Nut	
50	0920004	4	Washer	

(A)  
NOT FITTED ON THIS APPLICATION

(B)  
SERVICED IN PAIRS

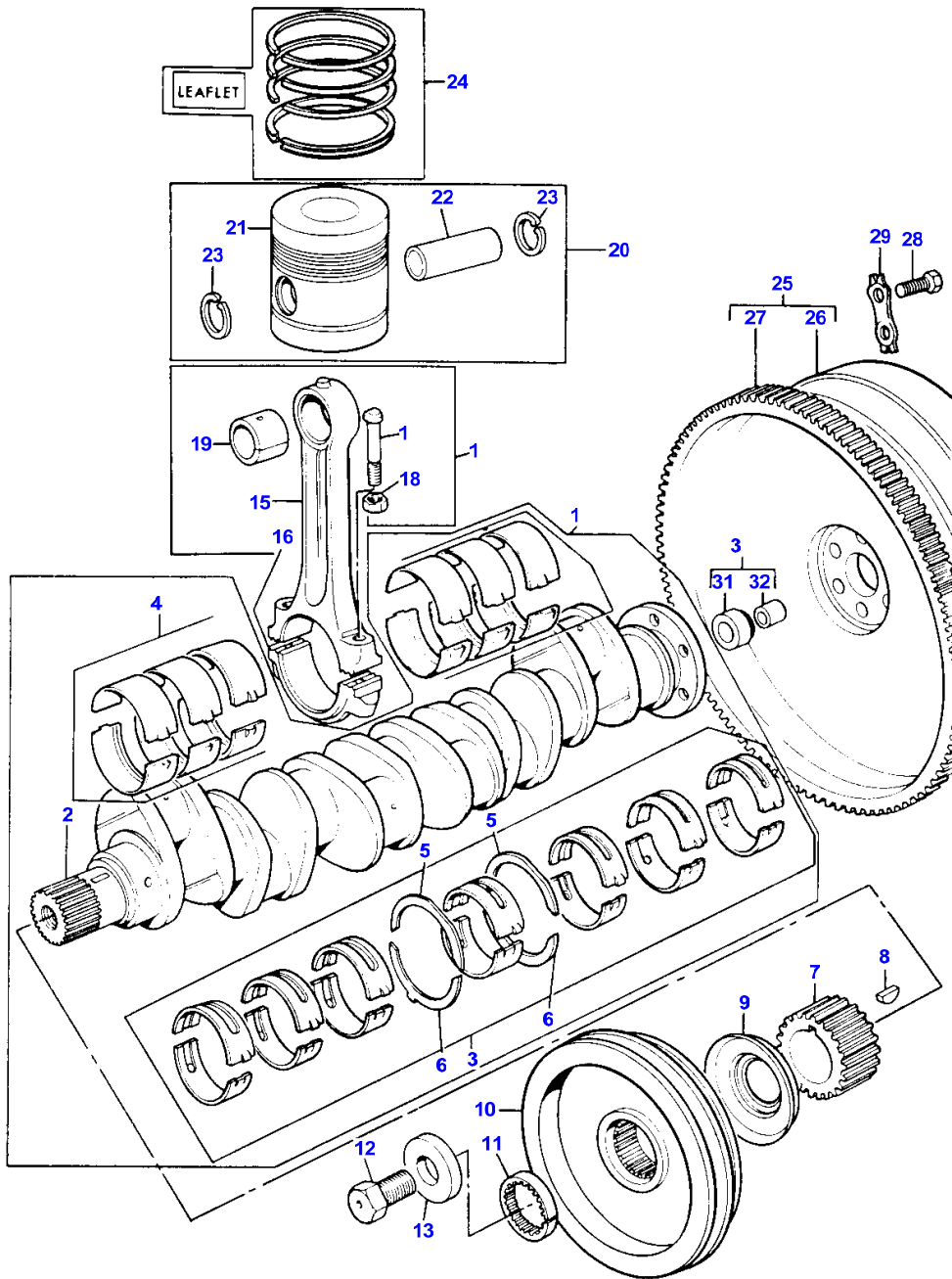
(C)  
32 OFF FITTED UP TO ENGINE NO 354UA32497

10

CRANKSHAFT  
 VILEBREQUIN  
 KURBELWELLE  
 ALBERO A MANOVELLA  
 CIGUENAL

00803003

3-0080-003-A



PRINTED IN U.K.

520 525

819611-H (1)

CRANKSHAFT - A6.354

Item	Part Number	Qty	Description	Comments
				A6.354
1	86794	1	Shaft	
	94468	1	Kit, Crankshaft	From Serial or Engine Number 2354UA48970L
2		1	Crankshaft	(1) Not serviced, order 86794/94468
3	85010	1	Kit, Bearing	(1) (A)
3	85010A	X	Kit, Bearing	(A) Thickness -.010"/.25M
3	85010B	X	Kit, Bearing	(A) Thickness -.020"/.51M
3	85010C	X	Kit, Bearing	(A) Thickness -.030"/.76M
4	85043	1	Kit, Bearing	(1) (A)
4	85043A	X	Kit, Bearing	(A) Thickness -.010"/.25M
4	85043B	X	Kit, Bearing	(A) Thickness -.020"/.51M
4	85043C	X	Kit, Bearing	(A) Thickness -.030"/.76M
5	31137311	2	Washer	(1)
	31137312	X	Thrust Washer	Thickness +.007"/.18M
6	31137321	2	Washer	(1)
	31137322	X	Thrust Washer	Thickness +.007"/.18M
7	31171211	1	Gear, Crankshaft	
8	0500012	1	Woodruff Key	
9	33415311	1	Flange	
10	31155272	1	Pulley, Crank	
11	33171116	1	Ring	
12	32162319	1	Screw	
13	33125124	1	Washer	
14	84920	6	Conrod	
15		1	Rod	(14) Not serviced, order 84920
16		1	Cap	(14) Not serviced, order 84920
17	32762116	2	Bolt	(14)
18	33221321	2	Nut	(14)
19	31134123	1	Bush	(14)
20	86740	6	Kit, Piston	(C)
	86740C	X	Kit, Piston	(C) Thickness +.030"/.76M
20	68314	6	Kit, Piston	(D)
	68314C	X	Kit, Piston	(D) Thickness +.030"/.76M
21		1	Piston	(20) (B)
22		1	Pin	(20) (B)
23	0170002	2	Circlip	(20)
24	86776	X	Kit, Ring	
	86776C	X	Kit, Ring	Thickness +.030"/.76M
25	41112713	1	Flywheel	Up to Serial or Engine Number 354UA48969
	41117087	1	Flywheel	From Serial or Engine Number 354UA48970L
26		1	Flywheel	(25) Not serviced, order 41112713/ 41117087
27	0410264	1	Gear, Starterring	(25)
28	32162203	6	Screw	
29	0921062	3	Tab Washer	
30	41425708	1	Adaptor	
31		1	Adaptor	(30) Not serviced, order 41425708
32	2513246	1	Bush	(30) (A) PRE-FINISHED



CRANKSHAFT - A6.354

10

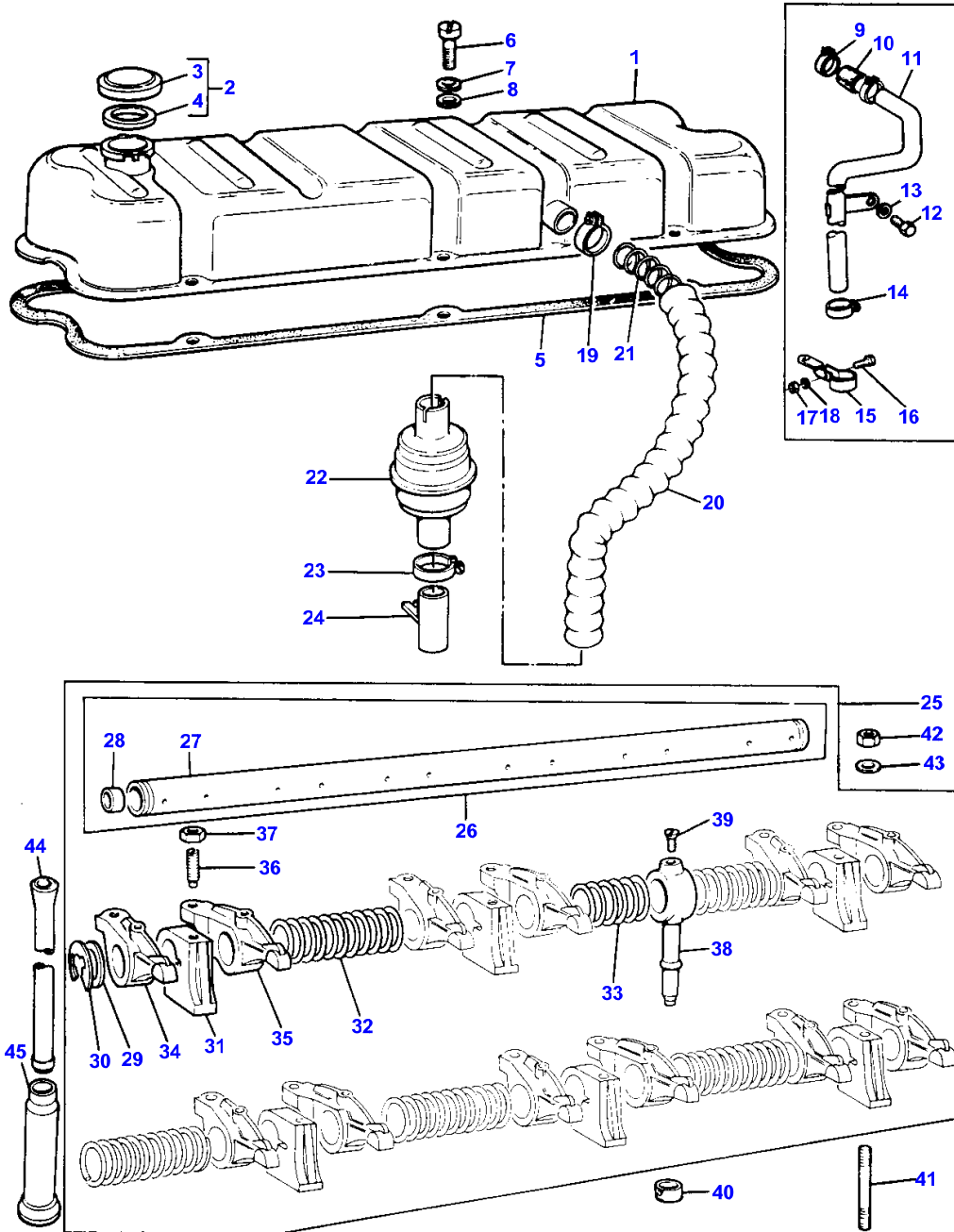
Item	Part Number	Qty	Description	Comments
				(B) ORDER APPROPRIATE ASSEMBLY
				(C) PRE-TOPPED
				(D) UNTOPPED

14

CYLINDER HEAD COVER  
 CACHE CULBUTEUR  
 ZYLINDERKOPFDECKEL  
 COPERCHIO TESTATA  
 TAPA CULATA

00853003

3-0085-003-A



PRINTED IN U.K.

520 525

819611-H (1)

CYLINDER HEAD COVER - A6.354

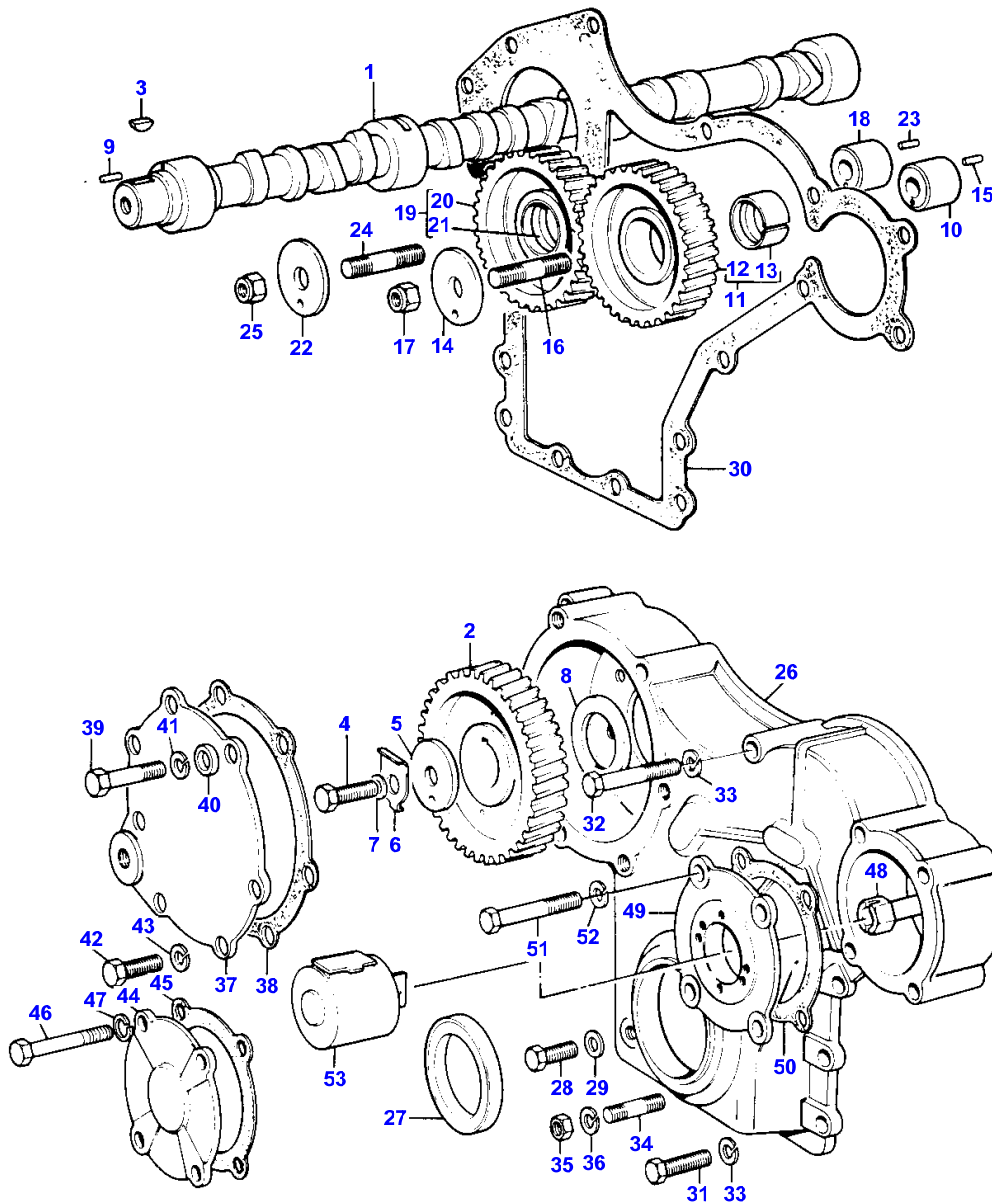
Item	Part Number	Qty	Description	Comments
				A6.354
1	37188127	1	Cyl.Head Cover	Up to Serial or Engine Number 354UA412211
	37188185	1	Cover	From Serial or Engine Number 354UA412212
2	2487845	1	Cap	
3		1	Cap	(2) Not serviced, order 2487845
4	24870002	1	Joint	(2)
5	36811412	1	Joint	
6	2174018	6	Screw	
7	0920002	6	Washer	
8	0920052	6	Washer	
9	0180106	2	Clip	Up to Serial or Engine Number 354UA412211
10	33851106	1	Connection	Up to Serial or Engine Number 354UA412211
11	35736169	1	Pipe,Breather	Up to Serial or Engine Number 354UA412211
12	0746253	1	Screw	Up to Serial or Engine Number 354UA412211
13	0920053	1	Washer	Up to Serial or Engine Number 354UA412211
14	0180063	1	Clip	Up to Serial or Engine Number 354UA412211
15	37335125	1	Clip	Up to Serial or Engine Number 354UA412211
16	2174565	1	Screw	Up to Serial or Engine Number 354UA412211
17	0576053	1	Nut	Up to Serial or Engine Number 354UA412211
18	0920051	1	Washer	Up to Serial or Engine Number 354UA412211
19	2481804	1	Clip	Up to Serial or Engine Number 354UA412211
20	33872313	1	Pipe	From Serial or Engine Number 354UA412212
21	31754117	1	Spring	From Serial or Engine Number 354UA412212
22	2652845	1	Body	
23	0180103	1	Clip	From Serial or Engine Number 354UA412212
24	35731151	1	Connection	From Serial or Engine Number 354UA412212
25	87255	1	Rocker Shaft Ass	
26	58768	1	Rocker Shaft	(25)
27		1	Shaft	(26) Not serviced, order 58768
28	0650507	2	Plug	(26)
29	33117415	2	Washer	(25)
30	0170151	2	Circlip	(25)
31	37521321	6	Bracket	(25)
32	31744123	4	Spring	(25)
33	31743108	2	Spring	(25)
34	37371281	6	Lever	(25)
35	37371271	6	Lever	(25)
36	0720579	12	Screw	(25)
37	0576052	12	Nut	(25)
38	35511111	1	Pipe	(25)
39	0726504	1	Setscrew	(25)
40	33811113	1	Olive	
41	0826621	6	Stud	
42	0576054	6	Nut	
43	0920006	6	Washer	
44	31434307	12	Pushrod	
45	31434163	12	Tappet	

16

TIMING GEAR  
DISTRIBUTION  
STEUERUNG  
DISTRIBUZIONE  
ENGRANJES DISTRIBUCION

01003003

3-0100-003-A



PRINTED IN U.K.

520 525

819611-H (1)

TIMING GEAR - A6.354

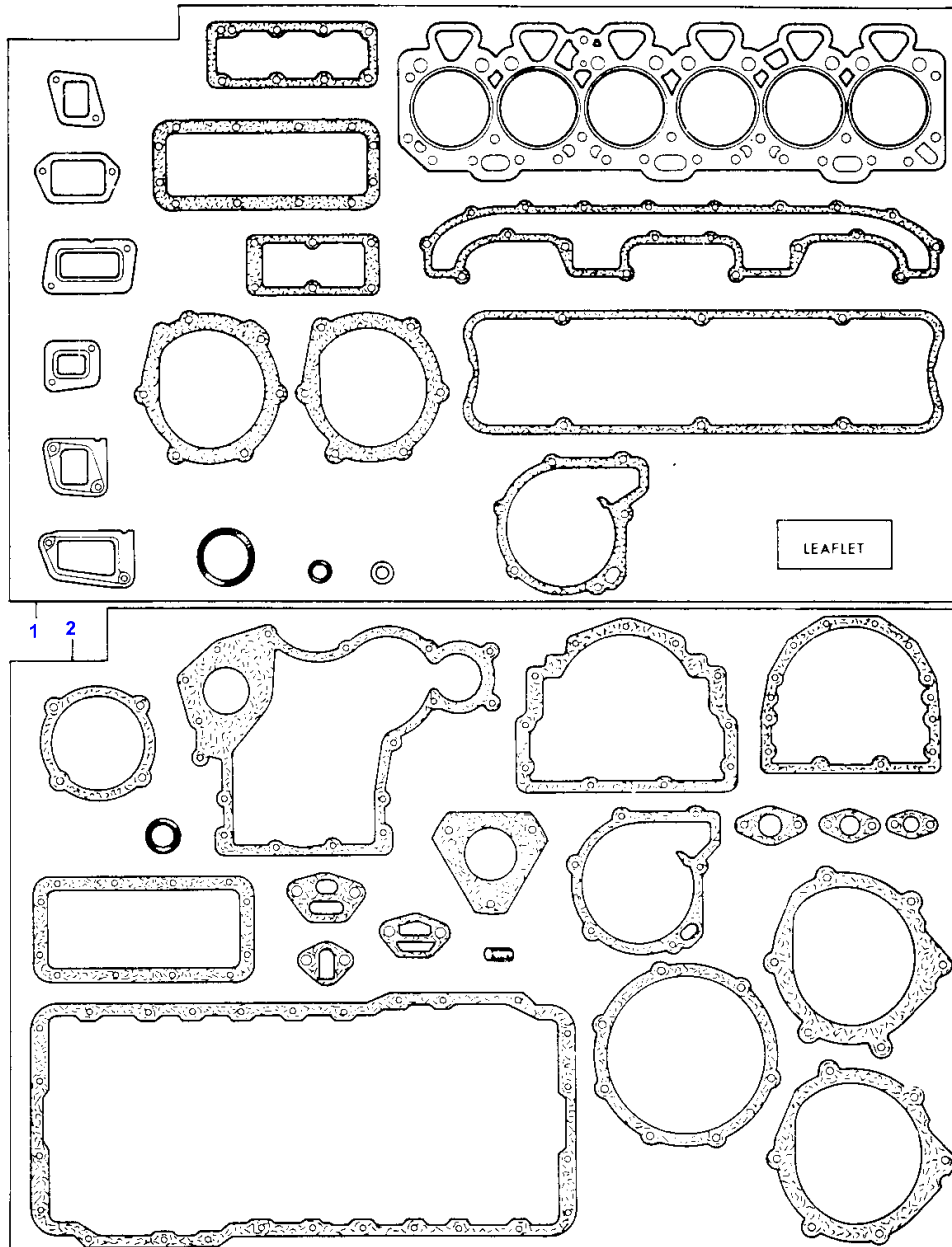
Item	Part Number	Qty	Description	Comments
				A6.354
1	31416301	1	Camshaft	
2	31171353	1	Gear,Camshaft	
3	0500012	1	Woodruff Key	
4	2182122	1	Setscrew	
5	33153128	1	Washer	
6	31733121	1	Washer	
7	33115408	1	Washer	
8	33153121	1	Washer	
9	0610844	1	Dowel	
10	33246423	1	Hub	
11	41115006	1	Gear,Idler	
12		1	.	(11) Not serviced, order 41115006
13	31134121	1	Bush	(11)
14	33153149	1	Plate	
15	0350553	1	Dowel	
16	32526316	1	Stud	
17	2211325	1	Nut	
18	33246423	1	Hub	
19	41115007	1	Gear,Idler	
20		1	.	(19) Not serviced, order 41115007
21	31134121	1	Bush	(19)
22	33153149	1	Plate	
23	0350553	1	Dowel	
24	32526316	1	Stud	
25	2211325	1	Nut	
26	37161174	1	Cover	
27	32116	1	Seal	
28	0746251	1	Setscrew	
29	2411152	1	Washer	
30	36814124	1	Joint	
31	0746255	8	Setscrew	
32	0096237	1	Bolt	
33	0920053	9	Washer	
34	0826201	2	Stud	
35	0576002	2	Nut	
36	0920053	2	Washer	
37	37537128	1	Plate	
38	36826107	1	Joint	
39	0096238	2	Bolt	
40	0920003	1	Washer	
41	0920053	2	Washer	
42	0746253	5	Screw	
43	0920053	5	Washer	
44	37556159	1	Inspection Cover	(A)
45	36866434	1	Joint	
46	0096238	4	Bolt	(B)
47	0920053	4	Washer	
48	33571115	1	Adaptor	(C)
49	37446233	1	Cover	
50	36866434	1	Joint	
51	0096239	4	Bolt	(C)
52	0920053	4	Washer	
53	2751535	1	Hourmeter	(C)
				(A) USE 37446233,4 OFF 0096239,33571115 AND 2751535
				(B) USED ONLY WITH 37556159
				(C) USED ONLY WITH 37446233

20

JOINTS AND GASKETS  
JOINTS  
DICHTUNGEN  
GRUPPO GUARNIZIONI  
JUEGOS DE JUNTAS

01103003

3-0110-003-A



**MASSEY FERGUSON**  
**MF 520/525 COMBINES - 819611**

**819611**

**JOINTS AND GASKETS - A6.354**

**20**

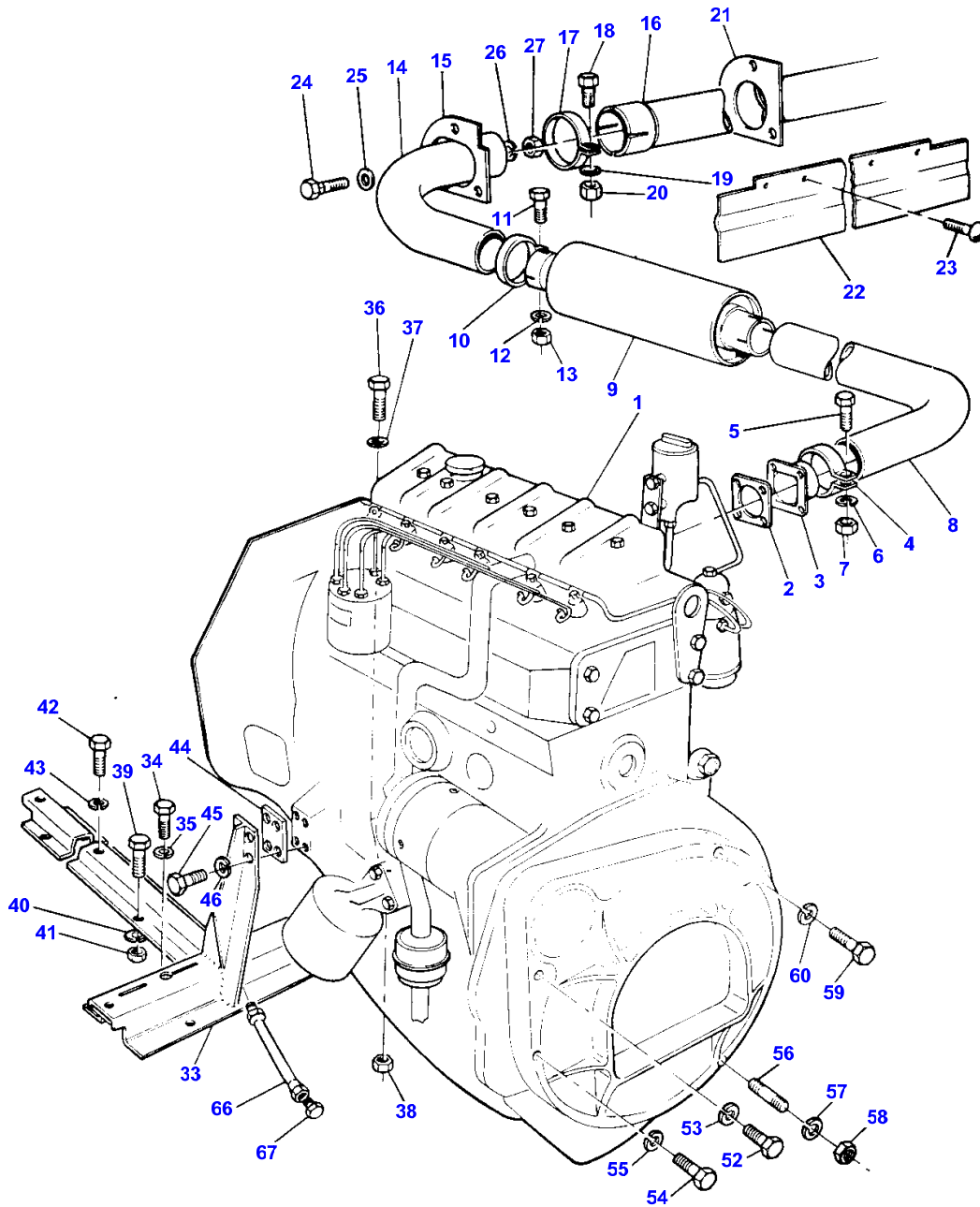
Item	Part Number	Qty	Description	Comments
				A6.354
1	68281	X	Kit, Joint	
2	92421	X	Kit, Joint	

22

ENGINE INSTALLATION  
MONTAGE MOTEUR  
MOTORANBAUTEILE  
INSTALLAZIONE MOTORE  
INSTALACION MOTOR

01153004

3-0115-004-A



PRINTED IN U.K.

520 525

819611-H (1)



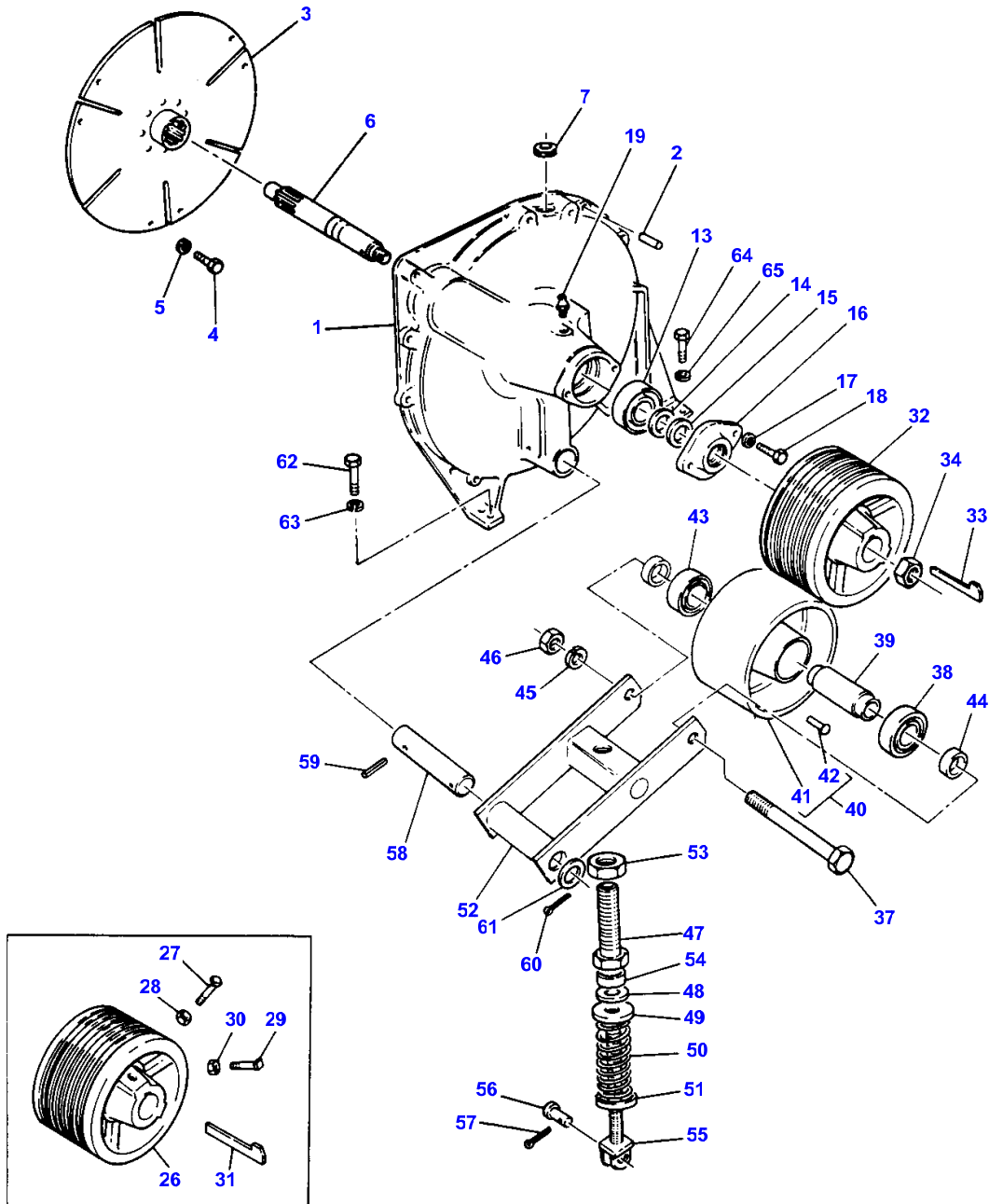
Item	Part Number	Qty	Description	Comments
				6.354 ENGINE
1	783222M91	1	Engine	Up to Serial or Engine Number 1234
	1615087M1	1	Engine	From Serial or Engine Number 1234
				Up to Serial or Engine Number 4479
1	1616447M1	1	Engine	Up to Serial or Engine Number 6458
	1616722M91	1	Engine	
2	912882M1	1	Gasket	
3	912883M1	1	Flange	
4	230322M1	2	Clamp	
5	353526X1	2	Bolt Unf	
6	353446X1	2	Lock Washer	
7	353916X1	2	Nut Unf	
8	912884M1	1	Tube	
9	1855786M1	1	Silencer	
10	230317M1	1	Clamp	
11	353526X1	1	Bolt Unf	
12	353446X1	1	Lock Washer	
13	353916X1	1	Nut Unf	
14	1855328M91	1	Tube	
15	912888M2	1	Gasket	
16	783935M91	1	Tube	
17	230317M1	1	Clamp	
18	353526X1	1	Bolt Unf	
19	353446X1	1	Lock Washer	
20	353916X1	1	Nut Unf	
21	912893M1	1	Gasket	
22	912948M1	1	Plate	
23	376953X1	7	Screw	
24	353794X1	6	Bolt Unf	
25	353755X1	6	Washer	
26	353446X1	6	Lock Washer	
27	353916X1	6	Nut Unf	
33	783938M98	1	Support	Up to Serial or Engine Number 4479
	1615446M1	1	Shim	
34	353560X1	3	Screw Unf	
35	353432X1	3	Lock Washer	
36	354393X1	3	Screw Unf	
37	353439X1	3	Lock Washer	
38	353437X1	3	Nut Unf	
39	353517X1	4	Screw Unf	
40	353446X1	4	Lock Washer	
41	353916X1	4	Nut Unf	
42	353517X1	2	Screw Unf	
43	353446X1	2	Lock Washer	
44	360994X1	2	Strap	Up to Serial or Engine Number 4479
	784023M2	2	Pad	From Serial or Engine Number 4479
45	353561X1	8	Screw Unf	Up to Serial or Engine Number 4479
	354282X1	8	Screw Unc	From Serial or Engine Number 4479
46	353432X1	8	Lock Washer	Up to Serial or Engine Number 4479
	353433X1	8	Lock Washer	From Serial or Engine Number 4479
52	353699X1	1	Screw Unc	
53	353432X1	1	Lock Washer	
54	353710X1	3	Bolt Unc	
55	353432X1	3	Lock Washer	
56	792672M1	2	Stud	
57	353432X1	2	Lock Washer	
58	353426X1	2	Nut Unf	
59	353632X1	2	Bolt Unf	
60	353434X1	2	Lock Washer	
66	784270M91	1	Hose	
67	356447X1	1	Plug	

26

REAR MOTOR HOUSING  
 CLOCHE DE SORTIE DE MOTOR  
 MOTORABTRIEB  
 CARCASSA POSTERIORE MOTORE  
 CAJA DE COLO DEL MOTOR

28483001

3-2846-001-A



PRINTED IN U.K.

520 525

819611-H (1)

**REAR MOTOR HOUSING**

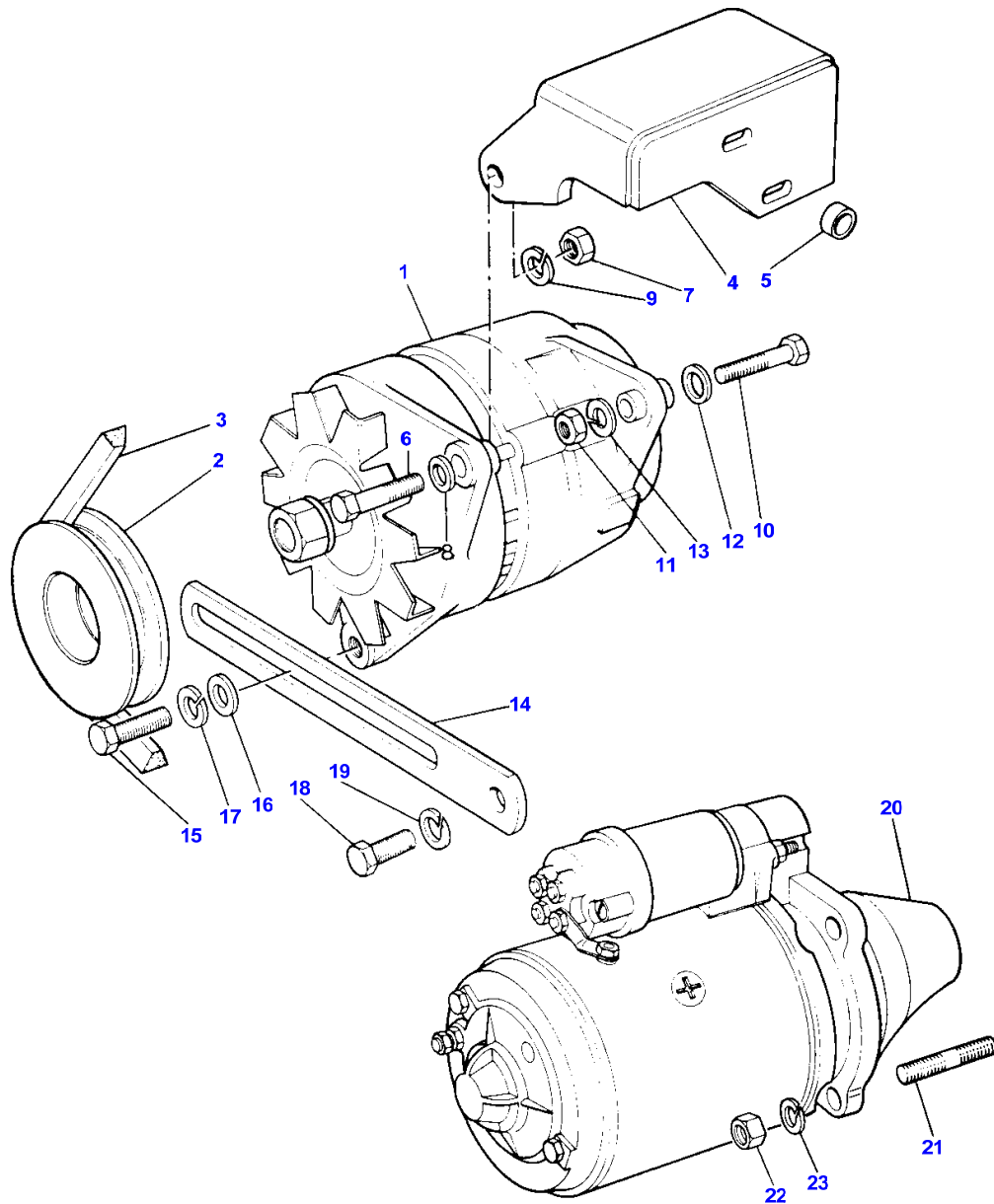
Item	Part Number	Qty	Description	Comments
1	784803M1	1	Housing	Up to Serial or Engine Number 1573 From Serial or Engine Number 1573
1	617864M1	1	Housing	From Serial or Engine Number 1573
2	832253M1	2	Pin	
3	230925M91	1	Disc	
4	203028M1	6	Screw	
5	353434X1	6	Lock Washer	
6	230386M2	1	Shaft	Up to Serial or Engine Number 1573
	619852M2	1	Shaft	
7	37813113	1	Plug	
13	DV 4322	1	Bearing	
14	230393M1	1	Ring	
15	832533M1	-	Shim	
	832534M1	-	Shim	
16	1616523M1	1	Cap	
17	353446X1	2	Lock Washer	
18	353681X1	2	Bolt Unc	
19	MP 1056	1	Grease Nipple	
26	230384M1	1	Pulley	Up to Serial or Engine Number 1573
27	353747X1	1	Screw Unc	Up to Serial or Engine Number 1573
28	375110X1	1	Nut Unc	Up to Serial or Engine Number 1573
29	355209X1	1	Screw Unc	Up to Serial or Engine Number 1573
30	375110X1	1	Nut Unc	Up to Serial or Engine Number 1573
31	GH 2063	1	Key Door	Up to Serial or Engine Number 1573
32	617865M1	1	Pulley	From Serial or Engine Number 1573
33	338610X1	1	Key	From Serial or Engine Number 1573
34	913922M1	1	Nut	From Serial or Engine Number 1573
37	353655X1	1	Bolt Unf	
38	339581X1	1	Bearing Ball	
39	230391M1	1	Sleeve	
40	793489M91	1	Pulley	
41		1	Pulley	(40) Not serviced, order 793 489 M91
42	203418M1	X	Rivet	(40)
	203417M1	X	Rivet	(40)
	203381M1	X	Rivet	(40)
	203382M1	X	Rivet	(40)
	203383M1	X	Rivet	(40)
	203384M1	X	Rivet	(40)
43	339581X1	1	Bearing Ball	
44	360279X1	1	Spacer	
45	353433X1	1	Lock Washer	
46	353427X1	1	Nut Unf	
47	782595M1	1	Bolt	
48	355621X1	1	Washer	
49	787195M1	1	Washer	
50	787201M1	1	Spring	
51	787195M1	1	Washer	
52	782593M91	1	Bracket	
53	353921X1	1	Nut Unf	
54	787196M1	1	Spacer	
55	787193M1	1	Rod	
56	195397M1	1	Clevis Pin	
57	354066X1	1	Pin	
58	230392M2	1	Shaft	
59	16738X	1	Pin	
60	354083X1	1	Pin	
61	831060M1	1	Washer	
62	353561X1	2	Screw Unf	
63	353432X1	2	Lock Washer	
64	353563X1	2	Bolt Unf	
65	353432X1	2	Lock Washer	

30

ELECTRICAL EQUIPMENT  
EQUIPMENT ELECTRIQUE  
ELEKTRISCHE AUSRUESTUNG  
IMPIANTO ELETTRICO  
EQUIPO ELECTRICO

01503003

3-0150-003-A



PRINTED IN U.K.

520 525

819611-H (1)

Item	Part Number	Qty	Description	Comments
				A6.354
1	2871618	1	Alternator	(A)
2	31141801	1	Pulley,Alternatr	
3	2612424	1	Belt	
4	38164111	1	Bracket	
5	0330819	2	Spacer	
6	0096201	1	Bolt	
7	0576002	1	Nut	
8	0920497	1	Washer	
9	0920053	1	Washer	
10	0096233	1	Bolt	
11	0576002	1	Nut	
12	0920003	1	Washer	
13	0920053	1	Washer	
14	36178159	1	Lever	
15	0748414	1	Setscrew	
16	0920003	1	Washer	
17	0920053	1	Washer	
18	0746254	1	Setscrew	
19	0920053	1	Washer	
20	2873004	1	Startermotor	(A)
21	0827827	3	Stud	
22	0576051	3	Nut	
23	0920054	3	Washer	

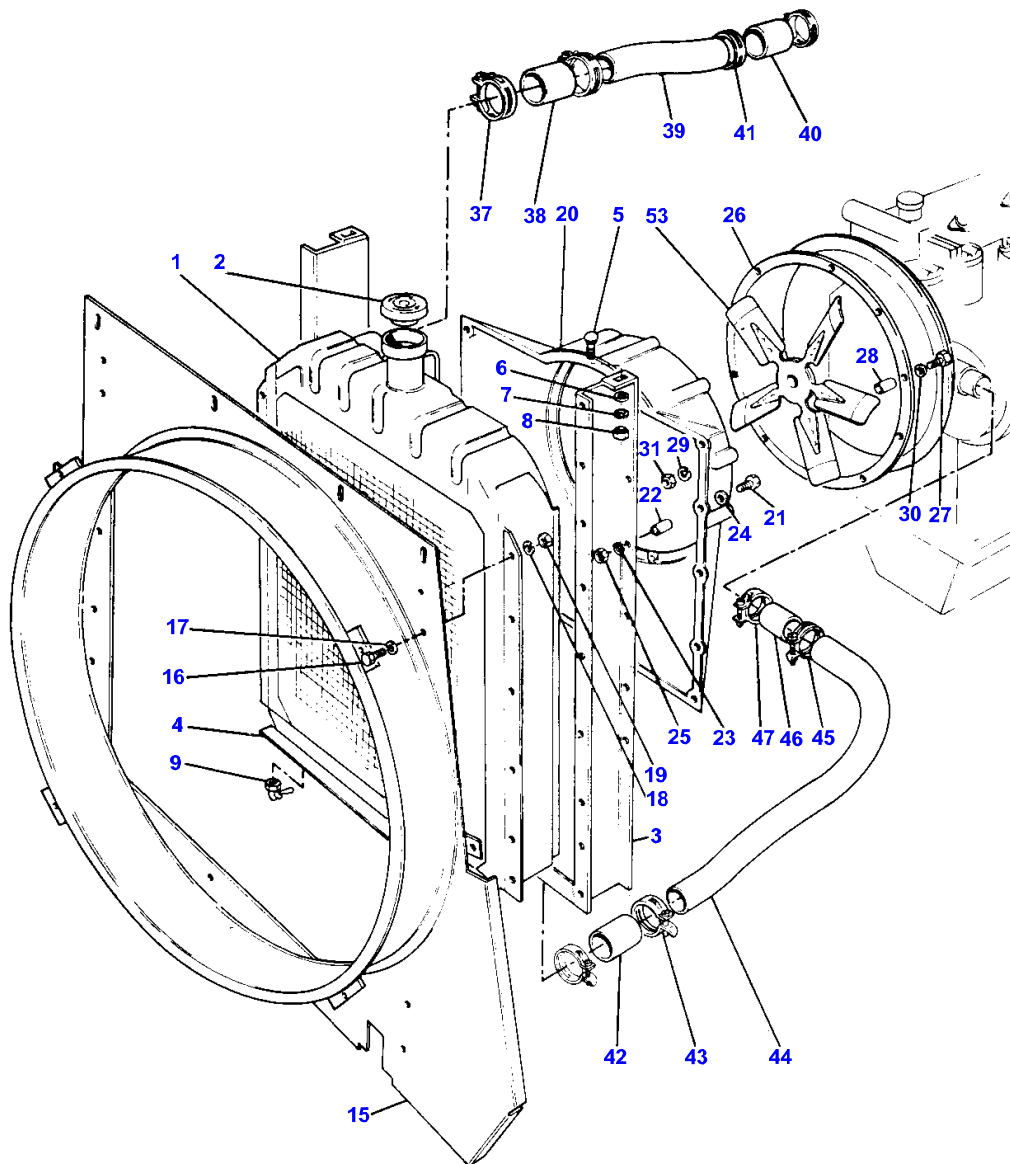
(A)  
SERVICED BY LUCAS

32

COOLING SYSTEM  
 SYSTEME DE REFRROIDISSEMENT  
 KUEHLUNG  
 SISTEMA DI RAFFREDDAMENTO  
 SISTEMA REFRIGERACION

02603004

3-0260-004-A



COOLING SYSTEM

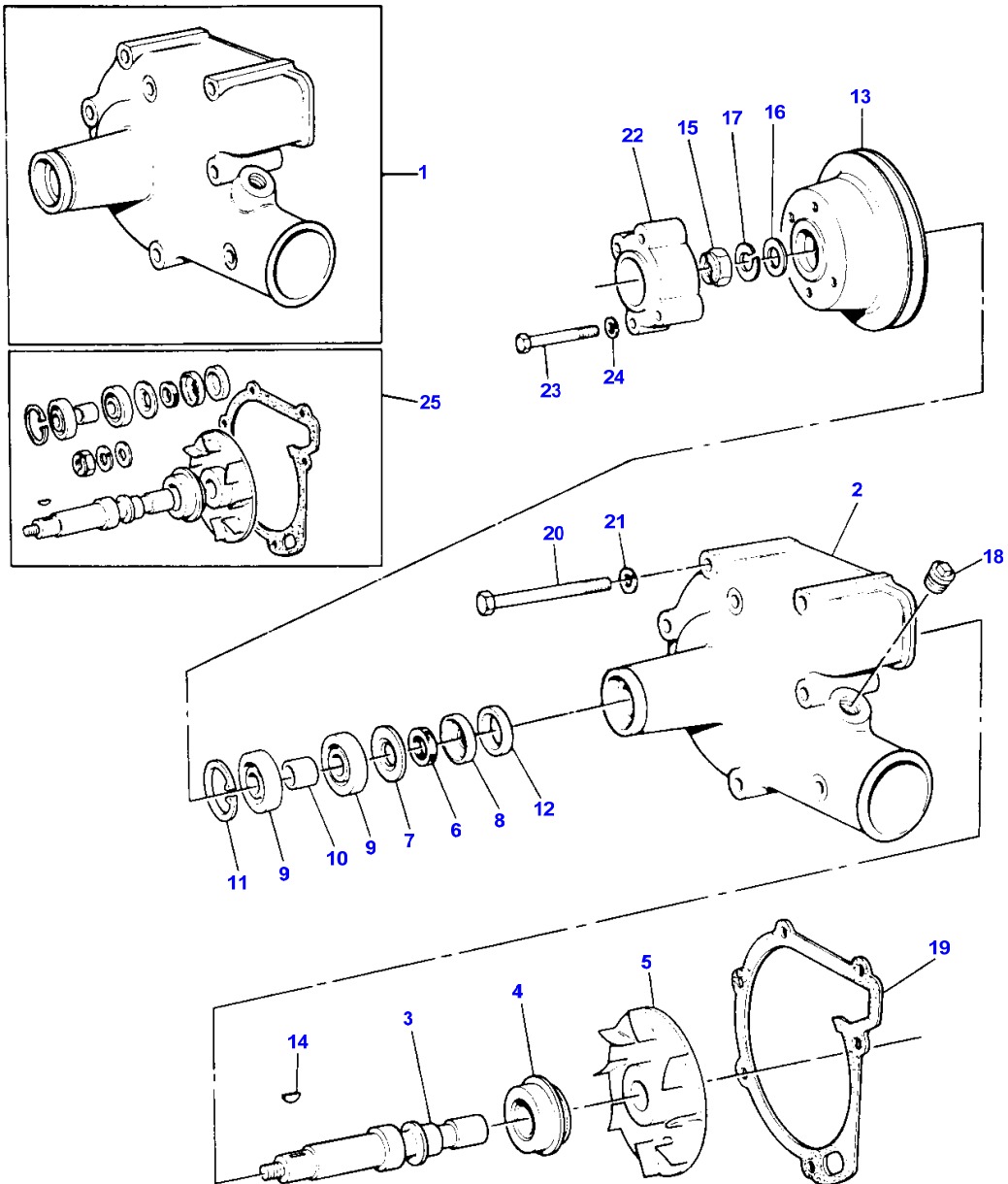
Item	Part Number	Qty	Description	Comments
1	783848M3	1	Radiator	
2	220136M1	1	Cap	
3	783802M93	1	Support	
4	784063M1	2	Strip	
5	353793X1	2	Bolt Unf	
6	353755X1	2	Washer	
7	353446X1	2	Lock Washer	
8	353916X1	2	Nut Unf	
9	786505M1	1	Cock	
15	783895M93	1	Panel	Up to Serial or Engine Number 376
	1855743M92	1	Panel	From Serial or Engine Number 376
16	353517X1	8	Screw Unf	
17	353755X1	8	Washer	
18	353446X1	8	Lock Washer	
19	353916X1	8	Nut Unf	
20	783924M1	1	Intake	
21	355127X1	9	Screw Unc	
22	377280X1	9	Spacer	
23	377279X1	9	Washer	
24	355616X1	18	Washer	
25	354120X1	9	Nut	
26	783926M91	1	Extension	
27	355128X1	10	Screw Unc	
28	377331X1	10	Spacer	
29	377279X1	10	Washer	
30	355616X1	20	Washer	
31	354120X1	10	Nut	
37	791108M1	2	Clamp	
38	912925M1	1	Hose	
39	783943M1	1	Tube	
40	912925M1	1	Hose	
41	791108M1	2	Clamp	
42	912926M1	1	Hose	
43	2480X	2	Clamp	
44	783944M1	1	Tube	
45	2480X	1	Clamp	
46	230305M1	1	Hose	
47	14106X	1	Clip	
53	783940M1	1	Fan	

34

WATER PUMP  
 POMPE A EAU  
 WASSERPUMPE  
 POMPA ACQUA  
 BOMBA DE AGUA

02753003

3-0275-003-A



PRINTED IN U.K.

520 525

819611-H (1)



WATER PUMP - A6.354

Item	Part Number	Qty	Description	Comments
				A6.354
1	41312322	1	Pump	(A)
	41312557	1	Water Pump	(A)
	41313018	1	Pump	
2		1	Body	(1) Not serviced, order 413108
3		1	Shaft	(1)
4	2415216	1	Seal	(D) (1) (D) Repairs and replaces 2415209
5		1	Impeller	(1) (D)
6	33813313	1	Seal	(1) (D)
7		1	Flange	(1) (D)
8		1	Retainer	(1) (D)
9		2	Bearing	(1) (D)
10		1	Spacer	(1) (D)
11	0170040	1	Circlip	(1) (D)
12	2417208	1	Seal	(1) (D)
13	31146801	1	Pulley, Waterpump	(B)
	31146804	1	Pulley	(C)
14	0500006	1	Woodruff Key	(D)
15	2211306	1	Nut	(B)
	0576007	1	Nut	(C,D)
16	0920009	1	Washer	(C,D)
17	0920058	1	Washer	(C,D)
18	2431154	1	Plug	
19	36867108	1	Joint	(D)
20	0746213	6	Screw	
21	0920053	6	Washer	
22	37413571	1	Extension	
23	0096237	4	Bolt	
24	0920053	4	Washer	
25	89036	X	Kit, Repair	(E) Repairs and replaces 59101
				(A) NO LONGER SERVICED USE 41313018
				(B) USED ONLY WITH 41312322
				(C) USED ONLY WITH 41312557 AND 41313018
				(D) CONTAINED IN KIT 89036
				(E) CONTAINS ITEMS MARKED (D)

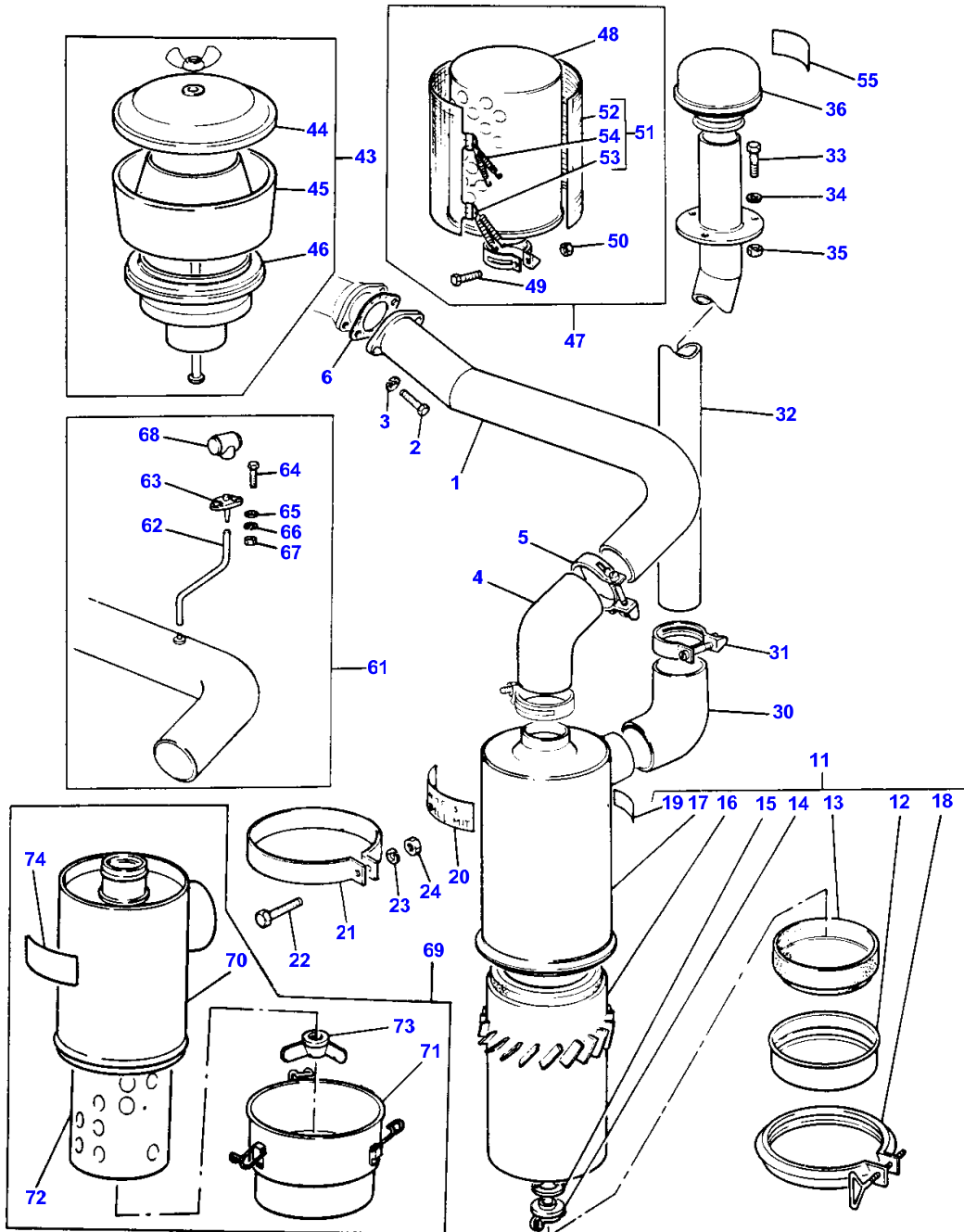
36

AIR FILTER  
 FILTRE A AIR  
 LUFTFILTER  
 FILTRO ARIA  
 FILTRO DEL AIRE

OIL BATH AIR FILTER  
 BAIN D HUILE  
 OELBAD  
 A BAGNO D'OLIO  
 EL BANO DE ACEITE

02913006

3-0291-006-B



PRINTED IN U.K.

520 525

819611-H (1)

**AIR FILTER-OIL BATH AIR FILTER**

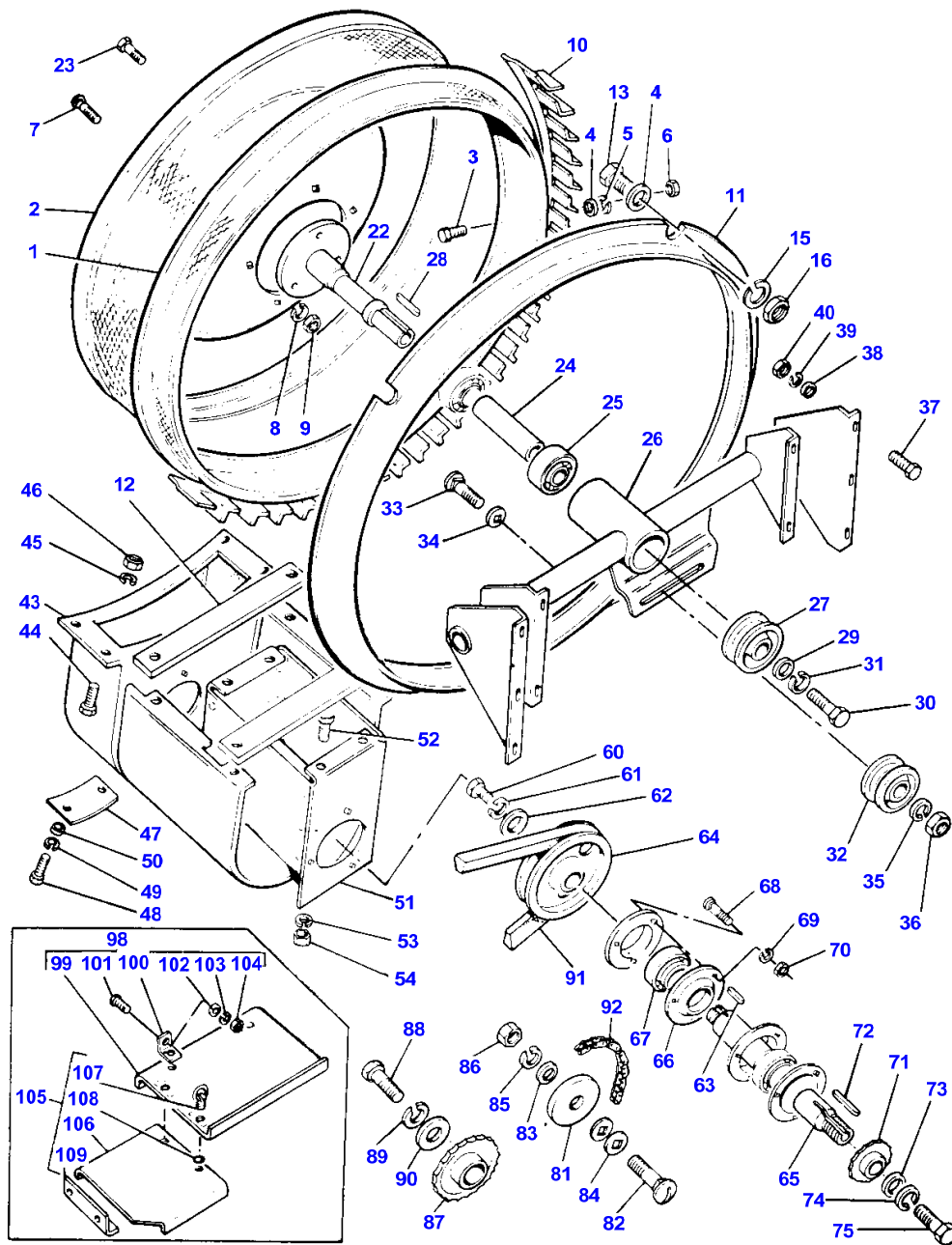
Item	Part Number	Qty	Description	Comments
1	784290M91	1	Tube	
2	353691X1	2	Screw Unc	
3	353434X1	2	Lock Washer	
4	783305M1	1	Elbow	
5	360743X1	2	Clamp	
6	230313M1	1	Gasket	
11	785980M91	1	Cleaner	Alternative 3049 021 M91
12	26510136	1	Cup	(11)
13	26510133	1	Baffle	(11)
14	26510141	1	Nut	(11)
15	1885787M91	1	Nut	(11)
16	26510148	1	Element	(11)
17		1	Body	(11) Not serviced, order 785 980 M91
18	26510130	1	Clamp	(11)
19	786918M1	1	Decal	(11)
20	786914M1	1	Decal	
	786915M1	1	Decal	
	786916M1	1	Decal	
	786917M1	1	Decal	
21	230668M1	1	Clamp	
22	353522X1	1	Bolt Unf	
23	353446X1	1	Lock Washer	
24	353916X1	1	Nut Unf	
30	785976M1	1	Elbow	
31	360743X1	2	Clamp	
32	782701M91	1	Tube	
33	353516X1	3	Screw Unf	
34	353446X1	3	Lock Washer	
35	353916X1	3	Nut Unf	
36	2651092	1	Cap	
43	230654M91	1	Pre Filter	
44	1018551M91	1	Cover	(43)
45	1018554M1	1	Body	(43)
46	1018548M91	1	Sleeve	(43)
47	234006M91	1	Screen	
48		1	Pre Filter	(47) Not serviced, order 234 006 M91
49	355033X1	1	Screw Unc	(47)
50	2642X	1	Nut	(47)
51	1021934M91	1	Screen	(47)
52		1	Screen	(51) Not serviced, order 1021 934 M91
53	1504449M1	2	Clip	(51)
54	1504450M1	4	Spring	(51)
55	1855354M1	1	Decal	For France only or any text in French only
61	784306M91	1	Kit, Indicator	
62	784305M1	1	Tube	(61)
63	784304M1	1	Flange	(61)
64	353502X1	4	Screw Unf	(61)
65	355617X1	4	Washer	(61)
66	353441X1	4	Lock Washer	(61)
67	353918X1	4	Nut Unf	(61)
68	784322M1	1	Indicator	(61)
69	3049021M91	1	Cleaner	Alternative 785 980 M91
70		1	Body	(69) Not serviced, order 3049 021 M91
71	1894474M1	1	Decal	(69)
72	1894473M91	1	Element	(69)
73	1893496M91	1	Nut	(69)
74	1894472M91	1	Cup	(69)

40

ROTATING AIR INTAKE  
 PRISE D'AIR ROTATIVE  
 ROTIERENDER ANSAUGKORB  
 SISTEMA DI SCARICO ROTANTE  
 TOMA DE AIRE ROTATIVA

03003001

3-0300-001-A



PRINTED IN U.K.

520 525

819611-H (1)

ROTATING AIR INTAKE

Item	Part Number	Qty	Description	Comments
1	783815M1	1	Flange	
2	783808M95	1	Screen	
3	353515X1	6	Screw Unf	
4	353755X1	X	Washer	
5	353446X1	6	Lock Washer	
6	353916X1	6	Nut Unf	
7	353792X1	5	Bolt Unf	
8	353446X1	5	Lock Washer	
9	353916X1	5	Nut Unf	
10	1615096M1	2	Deflector	
11	1855740M1	1	Ring	
12	1855796M1	2	Packing	(D)
13	353517X1	4	Screw Unf	
14	353618X1	4	Bolt Unf	
15	353446X1	4	Lock Washer	
16	353916X1	4	Nut Unf	
22	783844M92	1	Shaft	
23	783817M1	5	Bolt	
24	783847M1	1	Spacer	
25	339581X1	2	Bearing Ball	
26	784548M91	1	Frame	
27	783843M1	1	Pulley	
28	SU 1200	1	Key Door	
29	GB 1031	1	Washer	
30	353516X1	1	Screw Unf	
31	353446X1	1	Lock Washer	
32	227460M1	1	Pulley	
33	353836X1	1	Bolt Unf	
34	GN 3011	1	Washer	
35	353432X1	1	Lock Washer	
36	353426X1	1	Nut Unf	
37	353515X1	10	Screw Unf	
38	353755X1	10	Washer	
39	353446X1	10	Lock Washer	
40	353916X1	10	Nut Unf	
43	783912M92	1	Cover	
44	353516X1	4	Screw Unf	
45	353446X1	4	Lock Washer	
46	353916X1	4	Nut Unf	
47	783911M1	1	Panel	
48	353516X1	2	Screw Unf	
49	353446X1	2	Lock Washer	
50	353755X1	2	Washer	
51	783874M93	1	Bracket	(E)
	1616899M92	1	Bracket	
52	371113X1	4	Bolt Unf	
	353517X1	4	Screw Unf	(D)
53	353446X1	4	Lock Washer	
54	353916X1	4	Nut Unf	
60	353516X1	1	Screw Unf	
61	353446X1	1	Lock Washer	
62	GB 1031	1	Washer	
63	SU 1200	1	Key Door	
64	228671M1	1	Pulley	
65	783910M1	1	Shaft	
66	22286X	4	Flange	
67	353249X1	2	Bearing	
68	353792X1	6	Bolt Unf	
69	353446X1	6	Lock Washer	
70	353916X1	6	Nut Unf	
71	228673M1	1	Sprocket	
72	SU 1200	1	Key Door	
73	GB 1031	1	Washer	
74	353446X1	1	Lock Washer	
75	353516X1	1	Screw Unf	
81	243346M1	1	Roller	
82	353834X1	1	Bolt Unf	
83	GN 3011	1	Washer	
84	376847X1	2	Shim	
85	353432X1	1	Lock Washer	

ROTATING AIR INTAKE

Item	Part Number	Qty	Description	Comments
86	353426X1	1	Nut Unf	
87	230717M91	1	Sprocket	
88	353559X1	1	Screw Unf	
89	353432X1	1	Lock Washer	
90	667556M1	1	Washer	
91	783907M2	1	Belt	
92	222794M91	1	Chain	(A)
98	1855642M91	1	Kit, Cover	(B,C)
99	1855634M91	1	Shield	(98)
100	1855637M1	2	Angle	(98)
101	353516X1	6	Screw Unf	(98)
102	353755X1	6	Washer	(98)
103	353446X1	6	Lock Washer	(98)
104	353916X1	6	Nut Unf	(98)
105	1855631M91	1	Shield	(98)
106		1	Shield	(105)
				Not serviced, order 1855 631 M91
107	793201M1	2	Stud	(105)
108	786051M2	2	Cup	(105)
109	1855636M1	1	Angle	(98)

(A)  
FOR SERVICE BREAKDOWN REFER TO CHAIN SECTION

(B)  
INCLUDED IN KITS 784 966 M92, 1855 407 M92, 1855 4 08 M92 AND 1855 409 M92

(C)  
MAIZE MACHINES

(D)  
USED WITH 783 874 M93 ONLY

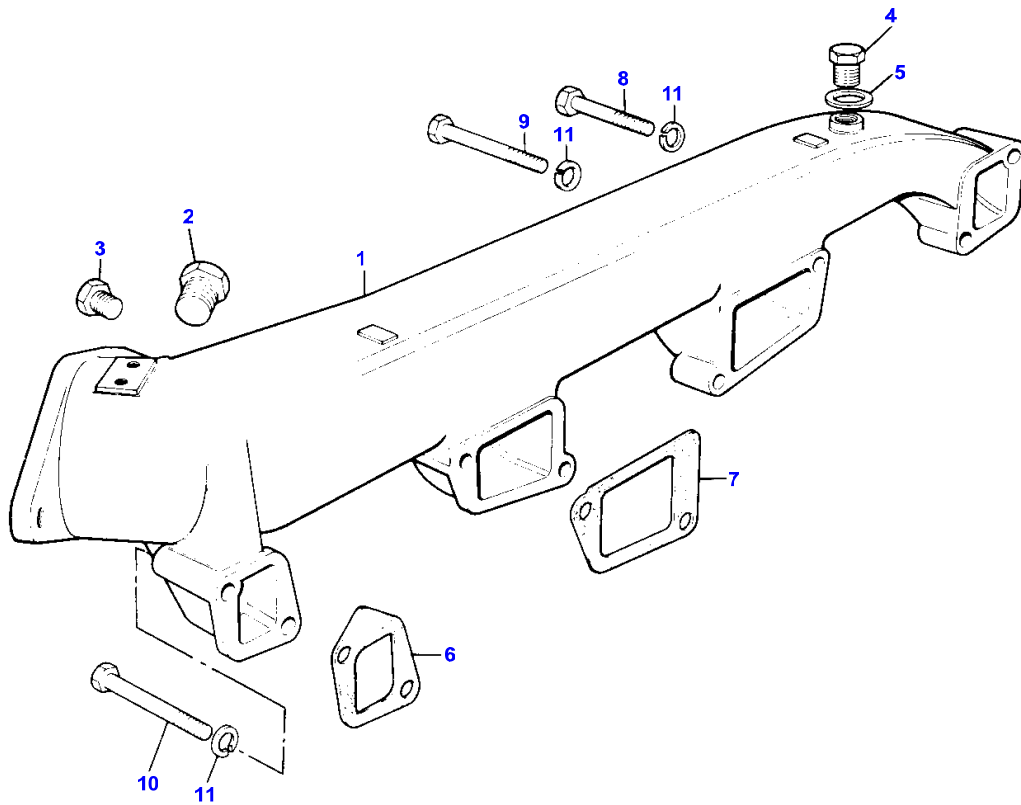
(E)  
NO LONGER SERVICED,USE 1616 899 M92 WITH 371 113 X 1 - 4 OFF

46

INDUCTION MANIFOLD  
COLLECTEUR D'ADMISSION  
ANSAUGKRUEMMER  
COLLETORE DI ASPIRAZIONE  
COLECTOR ADMISION

03553001

3-0355-001-A



INDUCTION MANIFOLD - A6.354

Item	Part Number	Qty	Description	Comments
				A6.354
1	37787661	1	Induct.Manifold	
2	0650204	1	Plug	
3	0650722	1	Plug	
4	0748411	2	Screw	
5	2411152	2	Washer	
6	37467108	2	Joint	
7	37467109	2	Joint	
8	0096435	4	Screw	
9	0096441	3	Bolt	
10	0096448	1	Screw	(A)
11	0920054	8	Washer	

(A)

ALSO SECURES DIPSTICK TUBE SUPPORT CLIP

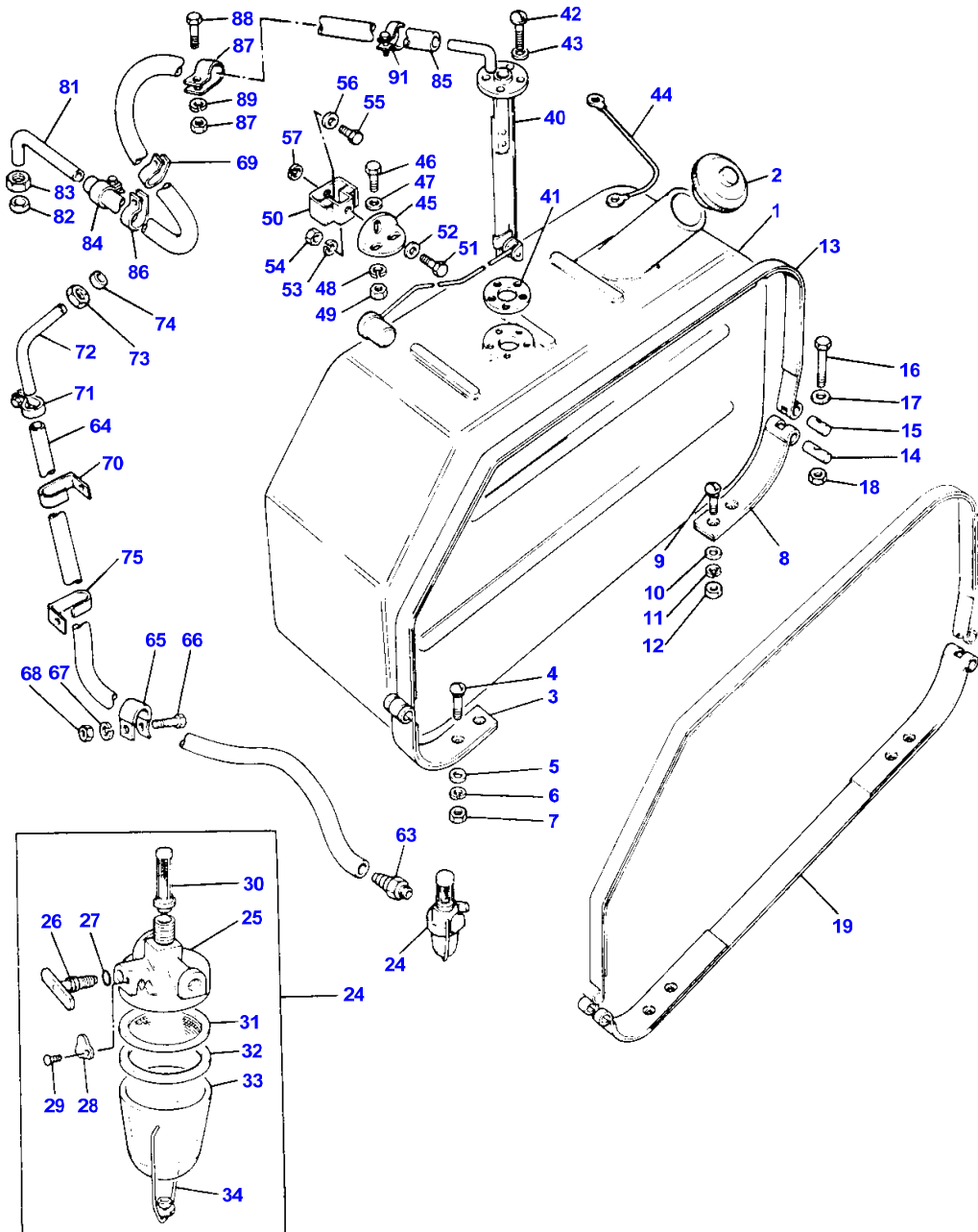


48

FUEL TANK AND ATTACHMENTS  
 RESERVOIR A CARBURANT  
 KRAFTSTOFFBEHALTER UND BEFESTIGUNG  
 SERBATOIO NAFTA E FISSAGGIO  
 DEPOSITO COMBUSTIBLE Y SUJECCIONES

03853004

3-0385-004-A



PRINTED IN U.K.

520 525

819611-H (1)

## FUEL TANK AND ATTACHMENTS

Item	Part Number	Qty	Description	Comments
1	783194M92	1	Tank	
2	1855292M91	1	Cap	
3	789236M91	1	Cradle	
4	353792X1	4	Bolt Unf	
5	353755X1	4	Washer	
6	353446X1	4	Lock Washer	
7	353916X1	4	Nut Unf	
8	789237M91	2	Cradle	
9	353792X1	4	Bolt Unf	
11	353446X1	4	Lock Washer	
12	353916X1	4	Nut Unf	
13	795523M91	2	Strap	
14	787473M2	2	Pin	
15	787474M2	2	Pin	
16	354226X1	2	Bolt Unf	
17	353755X1	2	Washer	
18	376447X1	2	Nut Unf	
19	795519M91	1	Cradle	
24	791933M91	1	Filter	
25	1881480M91	1	Cover	(24)
26	1881500M91	1	Valve	(24)
27	827047M1	1	Seal	(24)
28	1880927M1	1	Valve	(24)
29	1650045M1	1	Screw	(24)
30	1851654M1	1	Gauze	(24)
31	26410008	1	Gauze	(24)
32	0490538	1	Joint	(24)
33	0995260	1	Bowl	(24)
34	30428	1	Retainer	(24)
40	786981M92	1	Sender	
41	230712M1	1	Gasket	
42	354198X1	5	Screw Unc	
43	376413X1	5	Washer	
44	785274M2	1	Wire	
45	784478M1	1	Lug	
46	353517X1	2	Screw Unf	
47	353755X1	2	Washer	
48	353446X1	2	Lock Washer	
49	353916X1	2	Nut Unf	
50	795875M2	1	Coupling	
51	353538X1	1	Screw Unf	
52	353756X1	2	Washer	
53	353434X1	1	Lock Washer	
54	353431X1	1	Nut Unf	
55	353536X1	1	Screw Unf	
56	353756X1	1	Washer	
57	353434X1	1	Lock Washer	
63	360616X1	1	Connection	
64	786122M1	1	Hose	Up to Serial or Engine Number 2017
	914909M1	1	Hose	From Serial or Engine Number 2017
65	360043X1	1	Clip	
66	353516X1	1	Screw Unf	
67	353446X1	1	Lock Washer	
68	353916X1	1	Nut Unf	
69	360058X1	3	Clip	
70	783262M2	1	Clip	Up to Serial or Engine Number 2017
	914907M1	1	Clip	From Serial or Engine Number 2017
71	359468X1	1	Clamp	
72	233452M1	1	Tube	
73	0571346	1	Nut	
74	366016X1	1	Joint	Up to Serial or Engine Number 2017
75	914906M1	3	Clip	From Serial or Engine Number 2017
81	783224M91	1	Tube	
82	376524X1	1	Olive	
83	375738X1	1	Nut	
84	359468X1	1	Clamp	
85	796036M1	1	Hose	
86	360043X1	1	Clip	
87	360049X1	1	Clamp	
88	353516X1	1	Screw Unf	

**MASSEY FERGUSON**  
**MF 520/525 COMBINES - 819611**

**819611**

**FUEL TANK AND ATTACHMENTS**

**48**

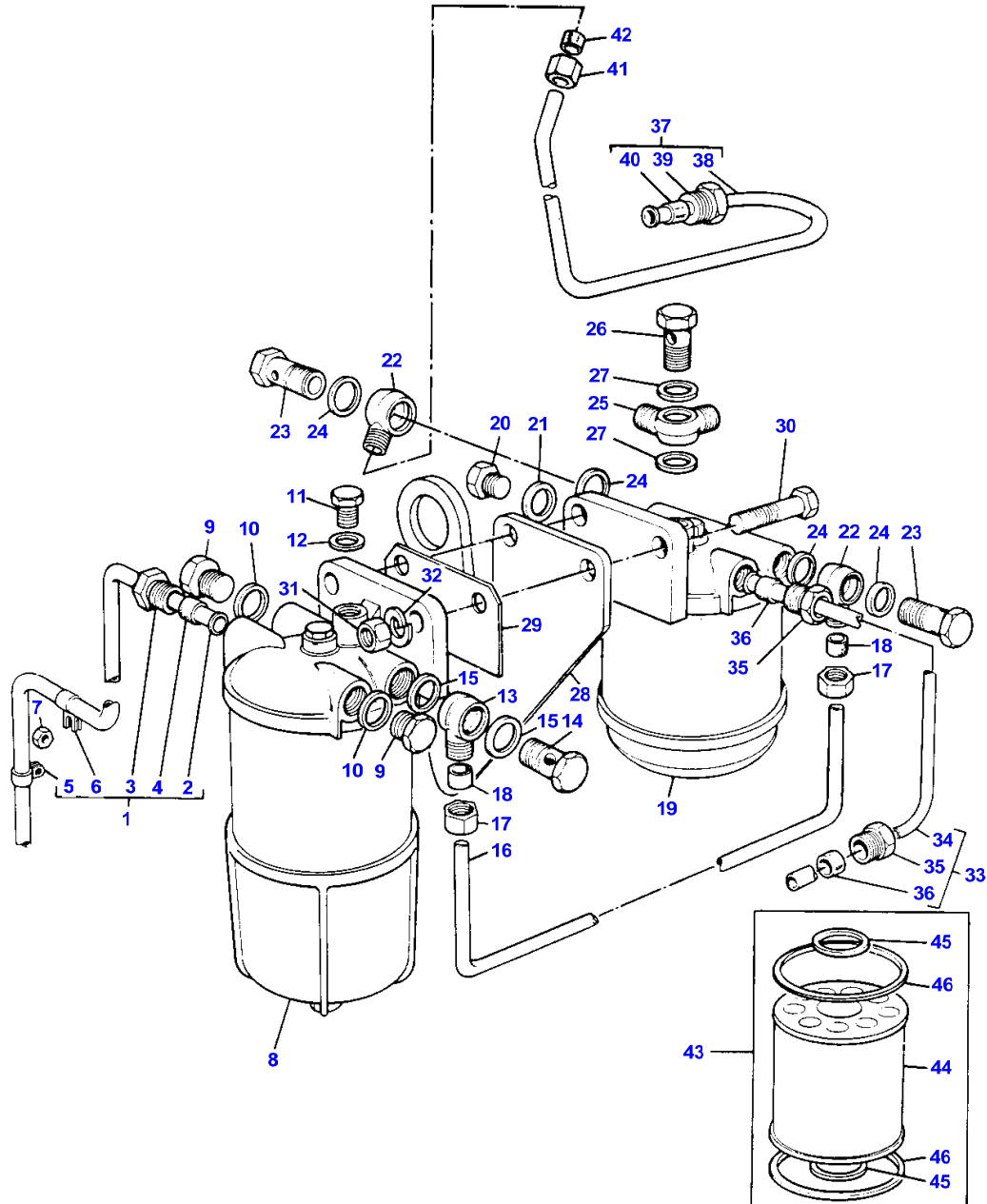
<b>Item</b>	<b>Part Number</b>	<b>Qty</b>	<b>Description</b>	<b>Comments</b>
89	353446X1	1	Lock Washer	
90	353916X1	1	Nut Unf	
91	359468X1	1	Clamp	

52

FUEL FILTERS AND PIPES  
 FILTRE A CARBURANT ET TUYAUTERIES  
 KRAFTSTOFFFILTER UND LEITUNGEN  
 FILTRI NAFTA E TUBAZIONI  
 FILTROS COMBUSTIBLE Y CONDUCCIONES

03903003

3-0390-003-A



FUEL FILTERS AND PIPES - A6.354

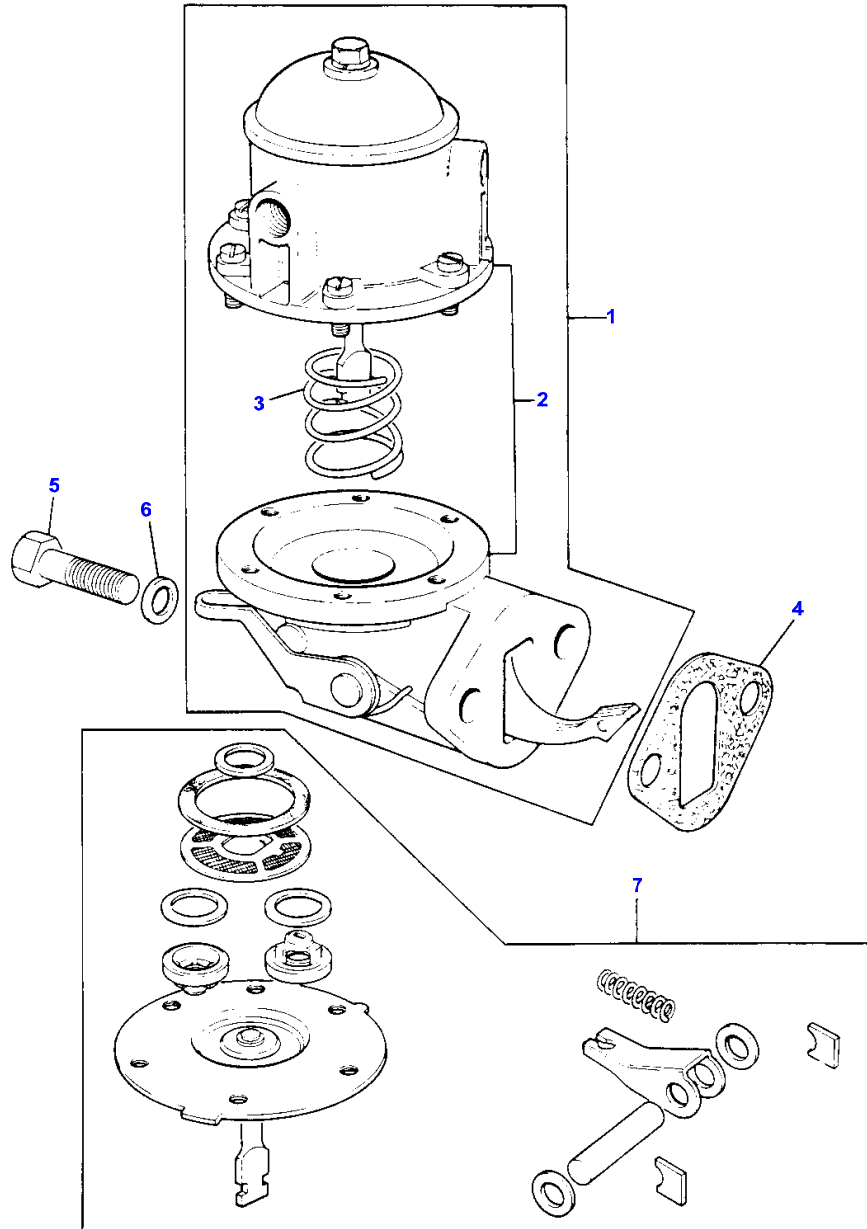
Item	Part Number	Qty	Description	Comments
				A6.354
1	41233223	1	Pipe,Fuel	
2		1	Pipe	(1) Not serviced, order 41233223
3	33532129	2	Nut	(1)
4	33811114	2	Olive	(1)
5	0180044	1	Clip	(1)
6	0180001	1	Clip	(1)
7	0576151	1	Nut	(1)
8	2656617	1	Fuel Filter	Repairs and replaces 2656614
9	0650204	2	Plug	
10	0920112	2	Washer	
11	32161113	1	Plug	
12	0920155	1	Washer	
13	0201501	1	Connection	
14	32184414	1	Bolt	
15	0920154	2	Washer	
16	34237113	1	Pipe,Fuel	
17	33225414	2	Nut	
18	33811114	2	Olive	
19	2656613	1	Fuel Filter	
20	0650204	1	Plug	
21	0920112	1	Washer	
22	0201501	2	Connection	
23	32184414	2	Bolt	
24	0920154	4	Washer	
25	0201467	1	Connection	
26	0095344	1	Bolt	
27	0920146	2	Washer	
28		1	Bracket	(A)
29	36211119	1	Spacer	
30	0096434	2	Bolt	
31	0576051	2	Nut	
32	0920054	2	Washer	
33	35845003	1	Pipe,Fuel	
34		1	Pipe	(33) Not serviced, order 35845003
35	33532129	2	Nut	(33)
36	33811114	2	Olive	(33)
37	35842011	1	Pipe,Fuel	
38		1	Pipe	(37) Not serviced, order 35842011
39	33532129	1	Nut	(37)
40	33811114	1	Olive	(37)
41	33225414	1	Nut	
42	33811114	1	Olive	
43	26560017	X	Kit, Element	
44		1	Element	(43) Not serviced, order 26560017
45	26560014	2	Seal	(43)
46	0490786	2	Joint	(43)
				(A) SEE CYLINDER HEAD SECTION

54

FUEL OIL LIFT PUMP  
 POMPE D'ALIMENTATION  
 KRAFTSTOFFOERDERPUMPE  
 POMPA ALIMENTAZIONE NAFTA  
 BOMBA DE COMBUSTIBLE

03953003

3-0395-003-A



PRINTED IN U.K.

520 525

819611-H (1)

FUEL OIL LIFT PUMP - A6.354

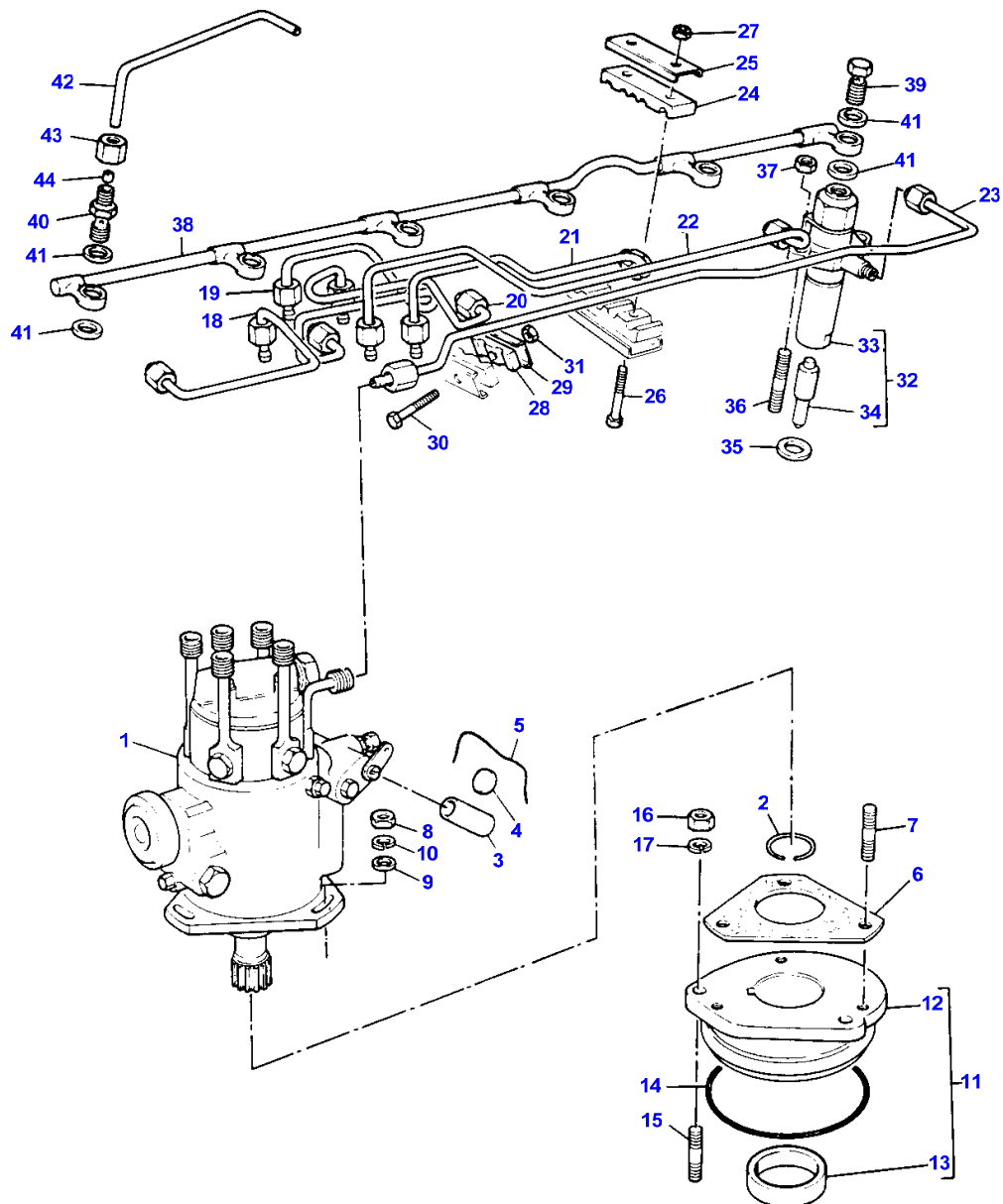
Item	Part Number	Qty	Description	Comments
				A6.354
1	2641372	1	Lift Pump	
2		1	Body	(1)
				Not serviced, order 2641372
3	0780224	1	Spring	(1)
4	36862165	1	Joint	
5	0096231	2	Setscrew	
6	33114412	2	Washer	
7	26410045	X	Kit, Repair	

56

FUEL INJECTION EQUIPMENT  
 SYSTEME D'INJECTION  
 EINSPRITZANLAGE  
 EQUIPAGGIAMENTO INIEZIONE NAFTA  
 EQUIPO DE INYECCION

04003003

3-0400-003-A



PRINTED IN U.K.

520 525

819611-H (1)



Item	Part Number	Qty	Description	Comments
				A6.354
1	36746	1	Injection Pump	(A)
2	2725130	1	Circlip	
3	2644951	1	Sleeve	
4	31718104	1	Seal	
5	31718105	1	Wire	
6	0490685	1	Joint	
7	0826212	3	Stud	
8	0576151	3	Nut	
9	0920003	3	Washer	
10	0920053	3	Washer	
11	41425741	1	Plate	
12		1	.	(11) Not serviced, order 41425741
13	2511637	1	Bush	(11)
14	2415813	1	O Ring	
15	0826223	3	Stud	
16	0576002	3	Nut	
17	0920053	3	Washer	
18	35355299	1	Injection Pipe	
19	35355297	1	Injection Pipe	
20	35355296	1	Injection Pipe	
21	35355316	1	Injection Pipe	
22	35355315	1	Injection Pipe	
23	35355317	1	Injection Pipe	
24	36845114	2	Bridle	
25	36511122	2	Bridle	
26	0726505	2	Setscrew	
27	2211291	2	Nut	
28	36844116	4	Bridle	
29	36511123	4	Plate	
30	0726505	2	Setscrew	
31	2211291	2	Nut	
32	2645543	6	Atomiser	
33	2646460	1	Holder	(32)
34	2646679	1	Nozzle	(32)
35	0921173	6	Washer	
36	0826280	12	Stud	
37	0576002	12	Nut	
38	35587337	1	Pipe,Fuel	
39	0095315	5	Banjo Bolt	
40	0201526	1	Union	
41	0921176	12	Washer	
42	34413409	1	Pipe,Fuel	
43	33225412	2	Union Nut	
44	33811112	2	Olive	

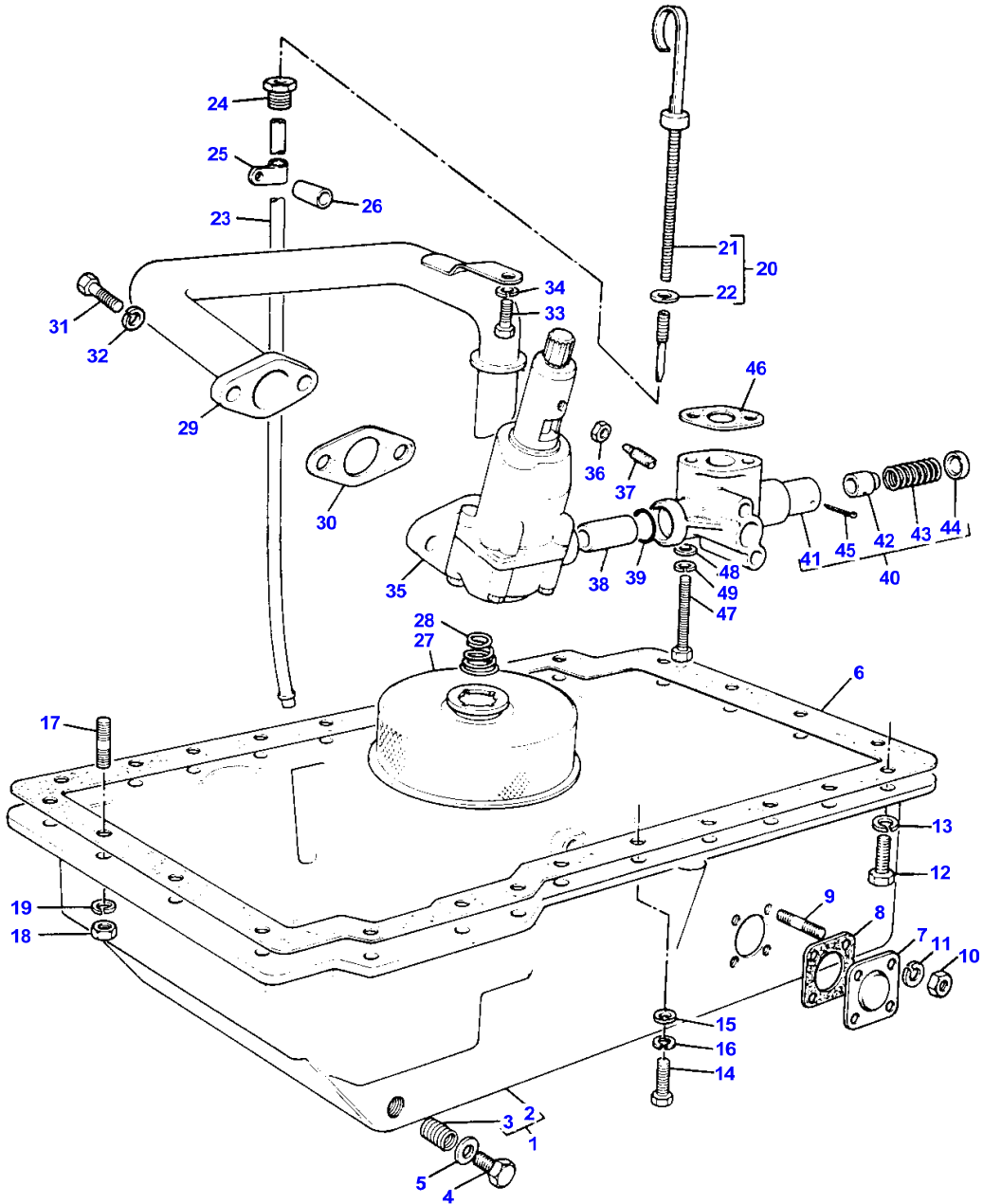
(A)  
SUPPLIED BY C.A.V

58

LUBRICATING OIL SUMP  
 CARTER D'HUILE  
 OELWANNE  
 COPPA OLIO  
 CARTER ACEITE

04403003

3-0440-003-A



PRINTED IN U.K.

620 525

819611-H (1)

LUBRICATING OIL SUMP - A6.354

Item	Part Number	Qty	Description	Comments
				A6.354
1	41424046	1	Sump	(A)
	41424155	1	Sump	
2		1	Sump	(1) Not serviced, order 41424046/ 41424155
3	2137436	2	Insert	(1)
4	2487004	2	Plug	
5	2411260	2	Washer	Repairs and replaces 2411160
6	36816707	1	Joint	
7	37481106	1	Plate	(B)
8	0490007	1	Joint	(B)
9	0827601	4	Stud	(B)
10	0576002	4	Nut	(B)
11	0920053	4	Washer	(B)
12	0746254	21	Setscrew	(C)
13	0920053	21	Washer	(C)
14	0746255	1	Setscrew	(D) From Serial or Engine Number 354UA412212
15	0920003	1	Washer	(D) From Serial or Engine Number 354UA412212
16	0920053	1	Washer	(D) From Serial or Engine Number 354UA412212
17	0826214	4	Stud	
18	0576002	4	Nut	
19	0920053	4	Washer	
20	31785477	1	Dipstick	
21		1	Dipstick	(20) Not serviced, order 31785477
22	0920022	1	Washer	(20)
23	34788001	1	Dipstick	
24	33533103	1	Nut	
25	0180023	1	Clip	
26	33247123	1	Spacer	
27	37725435	1	Strainer	
28	31747113	1	Spring	
29	35745419	1	Pipe,Oil	
30	36832118	1	Joint	
31	0746255	2	Setscrew	
32	0920053	2	Washer	
33	0746252	1	Screw	
34	0920053	1	Washer	
35	41314131	1	Oil Pump	
36	32114122	1	Screw	
37	0576059	1	Nut	
38	33261124	1	Pipe,Oil	
39	2415713	2	O Ring	
40	41371158	1	Relief Valve	
41		1	Housing	(40) Not serviced, order 41371158
42	32712709	1	Plunger	(40)
43	31744205	1	Spring	(40)
44	33157115	1	Cap	(40)
45	0610036	1	Pin	(40)
46	36831118	1	Joint	
47	0096238	2	Bolt	
48	2131325	2	Washer	
49	0920053	2	Washer	
				(A) USE 41424155,37481106,0490007,0827601,0576002,AND 0920053
				(B) USED ONLY WITH 41424155
				(C) 22 OFF FITTED UP TO ENGINE NO 354UA412211
				(D)

**MASSEY FERGUSON**

**MF 520/525 COMBINES - 819611**

**819611**

**LUBRICATING OIL SUMP - A6.354**

**58**

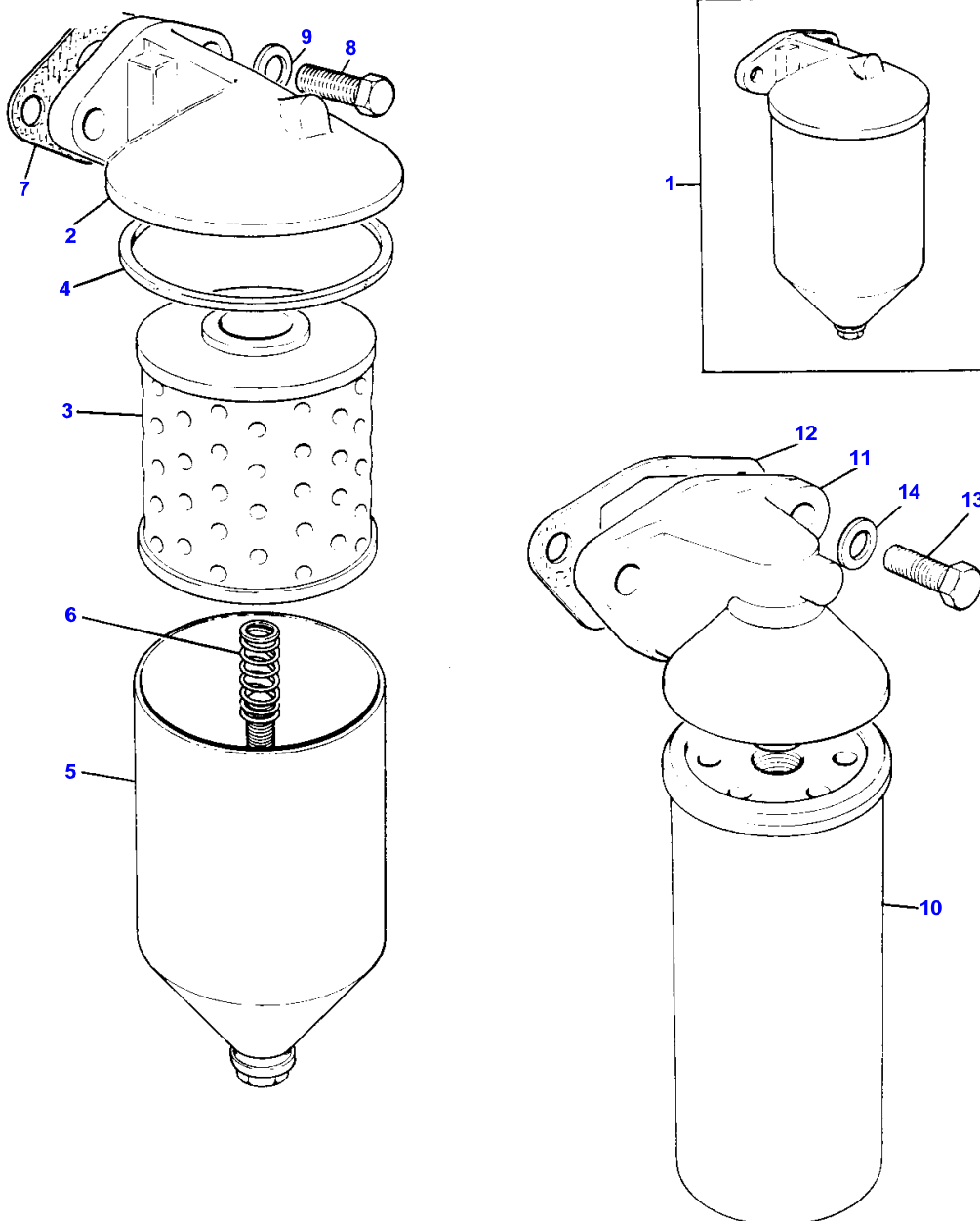
Item	Part Number	Qty	Description	Comments
				ALSO SECURES BREATHER CONNECTION PIPE

62

LUBRICATING OIL FILTER  
FILTRE A HUILE  
OELFILTER  
FILTRO OLIO  
FILTRO DE ACEITE

04453003

3-0445-003-A



PRINTED IN U.K.

520 525

819611-H (1)

LUBRICATING OIL FILTER - A6.354

Item	Part Number	Qty	Description	Comments
				A6.354
1	2654162	1	Oil Filter	Up to Serial or Engine Number 354UA44893
2		1	Head	(1) Not serviced, order 2654162
3	26540153	1	Element	(1) (A)
4	0490725	1	Joint	(3)
5		1	Container	(1) Not serviced, order 2654162
6	26540022	1	Spring	(1)
7	36862525	1	Joint	Up to Serial or Engine Number 354UA44893
8	0096631	2	Bolt	
9	33115118	2	Washer	
10	2654407	1	Oil Filter	From Serial or Engine Number 354UA44894
11	37764181	1	Filter Head	From Serial or Engine Number 354UA44894
12	36862517	1	Joint	From Serial or Engine Number 354UA44894
13	0096631	2	Bolt	
14	33115118	2	Washer	

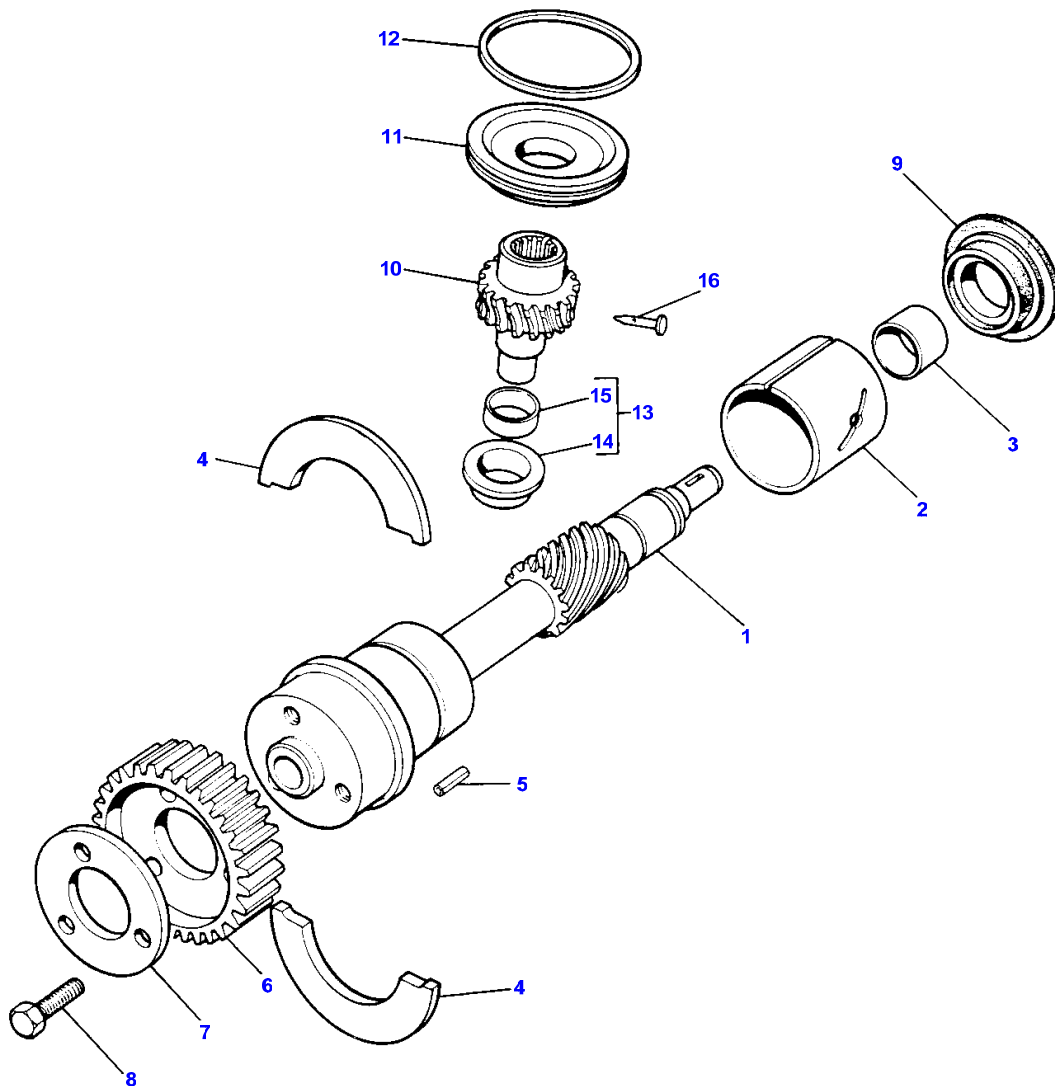
(A)  
ALSO INCLUDES 0490725

64

AUXILIARY DRIVE  
 COMMANDE AUXILIAIRE  
 NEBENANTRIEB  
 GRUPPO TRASCINAMENTO  
 MANDO AUXILIAR

06303001

3-0530-001-A



AUXILIARY DRIVE - A6.354

Item	Part Number	Qty	Description	Comments
				A6.354
1	31173409	1	Shaft	Up to Serial or Engine Number 354UA66041L
	31173422	1	Shaft	From Serial or Engine Number 354UA66042L
2	31134129	1	Bush	
3	2511447	1	Bush	
4	36178132	2	Plate	
5	2116024	1	Dowel	
6	31171671	1	Gear,Fuel Pump	
7	33153134	1	Plate	
8	2172688	3	Screw	
9	2415503	1	Seal	Up to Serial or Engine Number 354UA66041L
	2415335	1	Seal	From Serial or Engine Number 354UA66042L
10	41115324	1	Shaft	Up to Serial or Engine Number 354UA64191L
	41115369	1	Shaft	From Serial or Engine Number 354UA64192L
11	33411572	1	Collar	
12	0640011	1	Ring	
13	41425632	1	Collar	Up to Serial or Engine Number 354UA64191L
	41425608	1	Bearing Thrust	From Serial or Engine Number 354UA64192L
14		1	Collar	(13) Not serviced, order 41425632/ 41425608
15	2511636	1	Bush	(13)
16	33435133	1	Tube	

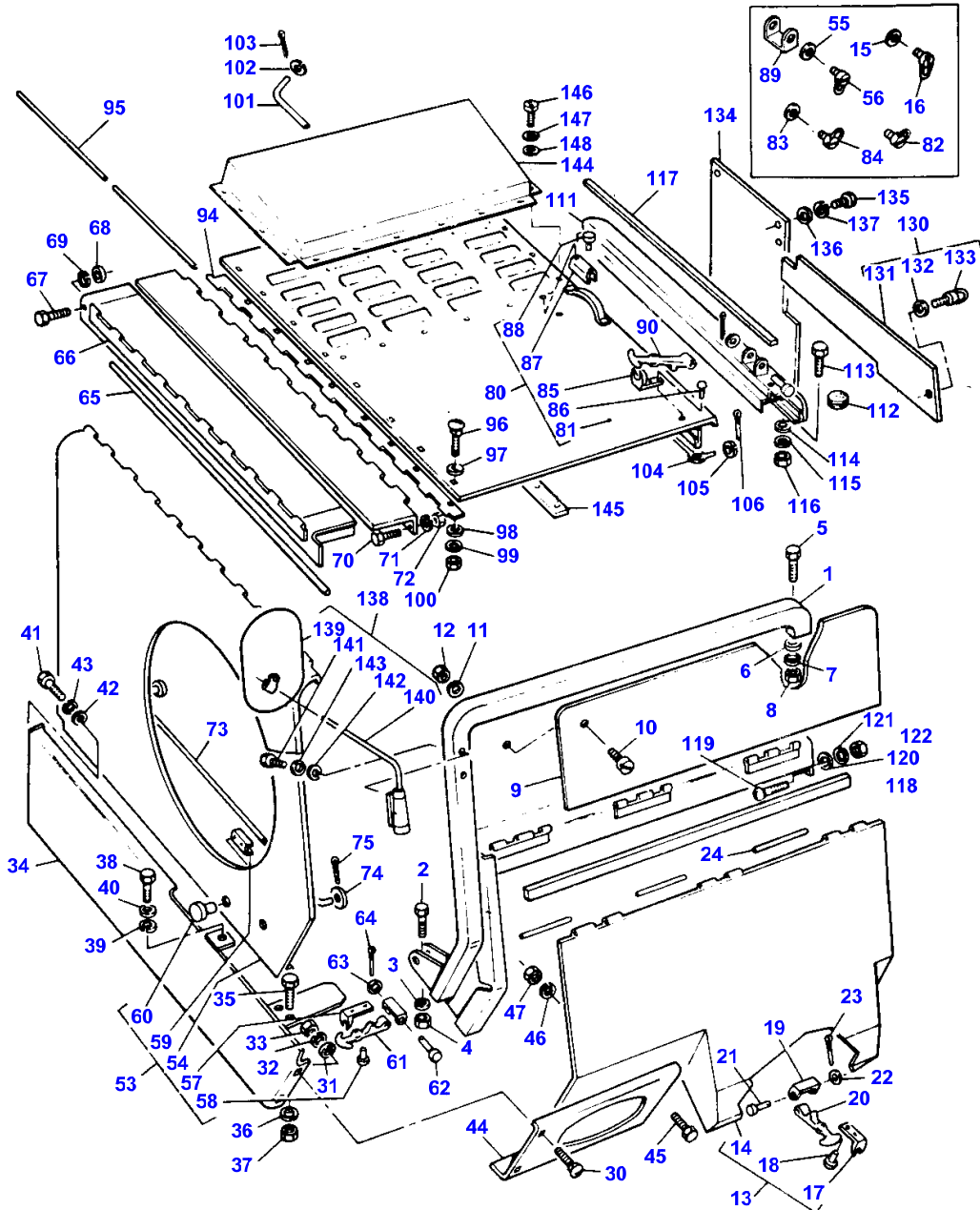


66

MOTOR COVER  
 CAPOT MOTEUR  
 MOTORHAUBE  
 COPERCHIO MOTORE  
 CUBIERTA MOTOR

28453001

3-2845-001-A



PRINTED IN U.K.

520 525

819611-H (1)

**MOTOR COVER**

Item	Part Number	Qty	Description	Comments
1	784666M95	1	Frame	Up to Serial or Engine Number 2973
	1615643M92	1	Frame	From Serial or Engine Number 2973
2	353516X1	2	Screw Unf	
3	353446X1	2	Lock Washer	
4	353916X1	2	Nut Unf	
5	353517X1	2	Screw Unf	
6	353755X1	2	Washer	
7	353446X1	2	Lock Washer	
8	353916X1	2	Nut Unf	
9	1855464M2	1	Panel	
10	377360X1	10	Screw Unc	
11	376718X1	10	Washer	
12	355564X1	10	Nut Unc	
13	1615635M91	1	Door	
14		1	Door	(13) Not serviced, order 1615 635 M91
15	788392M1	2	Washer	(13) Up to Serial or Engine Number 2973
16	788877M1	2	Stud	(13) Up to Serial or Engine Number 2973
17	403659M1	2	Angle	(13) From Serial or Engine Number 2973
18	330899X1	4	Rivet	(13) From Serial or Engine Number 2973
19	791194M1	2	Bracket	From Serial or Engine Number 2973
20	403657M1	2	Fastener	From Serial or Engine Number 2973
21	403660M1	2	Pin	From Serial or Engine Number 2973
22	390146X1	2	Washer Metric	From Serial or Engine Number 2973
23	390147X1	2	Pin	From Serial or Engine Number 2973
24	784676M1	3	Pin	
30	353791X1	2	Bolt Unf	
31	10978X	2	Washer	
32	353446X1	2	Lock Washer	
33	353916X1	2	Nut Unf	
34	1615627M91	1	Panel	
35	353516X1	4	Screw Unf	
36	353446X1	4	Lock Washer	
37	353916X1	4	Nut Unf	
38	353516X1	2	Screw Unf	
39	353446X1	2	Lock Washer	
40	353755X1	2	Washer	
41	353516X1	2	Screw Unf	
42	353755X1	2	Washer	
43	353446X1	2	Lock Washer	
44	783663M92	1	Panel	Up to Serial or Engine Number 2017
	1615435M91	1	Panel	From Serial or Engine Number 2017 Up to Serial or Engine Number 5915
44	784161M93	1	Trim	(D) From Serial or Engine Number 6320
45	353516X1	4	Screw Unf	
46	353446X1	4	Lock Washer	
47	353916X1	4	Nut Unf	
53	1615625M91	1	Panel	
54		1	Panel	(53) Not serviced, order 1615 625 M91
55	788392M1	2	Washer	(53) Up to Serial or Engine Number 2973
56	788877M1	2	Stud	(53) Up to Serial or Engine Number 2973
57	403659M1	2	Angle	(53) From Serial or Engine Number 2973
58	330899X1	4	Rivet	(53) From Serial or Engine Number 2973
59	1855622M2	1	Clip	(53)
60	377380X1	4	Rivet	(53)
61	403657M1	2	Fastener	From Serial or Engine Number 2973
62	403660M1	2	Pin	From Serial or Engine Number 2973
63	390146X1	2	Washer Metric	From Serial or Engine Number 2973
64	390147X1	2	Pin	From Serial or Engine Number 2973
65	912961M1	1	Pin	

**MOTOR COVER**

Item	Part Number	Qty	Description	Comments
66	782703M95	1	Panel	
67	353516X1	2	Screw Unf	
68	353755X1	2	Washer	
69	353446X1	2	Lock Washer	
70	353516X1	6	Screw Unf	
71	353446X1	6	Lock Washer	
72	353916X1	6	Nut Unf	
73	783355M91	1	Rod	
74	353755X1	1	Washer	
75	354046X1	1	Pin	
80	783856M93	1	Door	Up to Serial or Engine Number 2973 Not serviced, order 1616 042 M91
80	1615652M91	1	Door	From Serial or Engine Number 2973
80	1616975M91	1	Door	(E)
81		1	Door	(80) Not serviced, order 1615 652 M91 /1616 975 M91
82	782686M1	1	Latch	(80) Up to Serial or Engine Number 2973
83	786051M2	2	Cup	(80)
84	1855196M1	1	Fastener	Up to Serial or Engine Number 2973 (80)
85	403659M1	2	Angle	Up to Serial or Engine Number 2973 (80)
86	330899X1	4	Rivet	(E) From Serial or Engine Number 2973 (80)
87	1855622M2	2	Clip	(E) From Serial or Engine Number 2973 (80)
88	377380X1	2	Rivet	(80) (E)
89	791194M1	2	Bracket	
90	403657M1	2	Fastener	From Serial or Engine Number 2973
91	403660M1	2	Pin	From Serial or Engine Number 2973
92	390146X1	2	Washer Metric	From Serial or Engine Number 2973
93	390147X1	2	Pin	From Serial or Engine Number 2973
94	783953M1	1	Hinge	
95	912961M1	1	Pin	
96	353784X1	8	Bolt Unf	
97	376394X1	8	Washer	
98	353754X1	8	Washer	
99	353441X1	8	Lock Washer	
100	353918X1	8	Nut Unf	
101	1855224M91	1	Rod	
102	353755X1	1	Washer	
103	354039X1	1	Cotter	
104	783882M91	1	Rod	
105	353755X1	1	Washer	
106	354039X1	1	Cotter	
111	1615650M91	1	Strip	(A) Up to Serial or Engine Number 6320 From Serial or Engine Number 6320
111	3043073M91	1	Strip	
112	793115M1	3	Plug	
113	353501X1	6	Screw Unf	
114	353754X1	6	Washer	
115	353441X1	6	Lock Washer	
116	353918X1	6	Nut Unf	
117	1855151M2	1	Seal	
118	784736M3	1	Seal	
119	353807X1	1	Screw Unf	
120	353756X1	1	Washer	
121	353434X1	1	Lock Washer	
122	353431X1	1	Nut Unf	
130	784668M91	1	Partition	
131		1	Partition	(130) Not serviced, order 784 668 M91
132	788392M1	2	Washer	(130)
133	788916M1	2	Stud	(130)

MOTOR COVER

Item	Part Number	Qty	Description	Comments
134	784669M94	1	Partition	(B)
134	784669M94	1	Partition	From Serial or Engine Number 2017
135	353516X1	1	Screw Unf	
136	353755X1	1	Washer	
137	353446X1	1	Lock Washer	
138	1855830M92	1	Mirror	(C)
139	1855820M2	1	Mirror	(138)
140	1885777M91	1	Arm	(138)
141	353501X1	2	Screw Unf	(138)
142	353441X1	2	Lock Washer	(138)
143	355617X1	2	Washer	(138)
144	914655M93	1	Channel	(E)
145	1616979M1	1	Bar	(E)
146	376383X1	10	Screw	(E)
147	353441X1	10	Lock Washer	(E)
148	353754X1	10	Washer	(E)
149	1616042M91	X	Kit	
150	1616043M91	X	Kit	
151	1616045M91	X	Kit	

(A)  
NOT SERVICED USE 3043 073 M91 WITH 3OFF 793 115 M1

(B)  
NOT SERVICED USE 784 669 M94 WITH 1615 473 M91

(C)  
NOT SERVICED ORDER DETAILS

(D)  
UP TO SERIAL NUMBER 5915 FRANCE ONLY

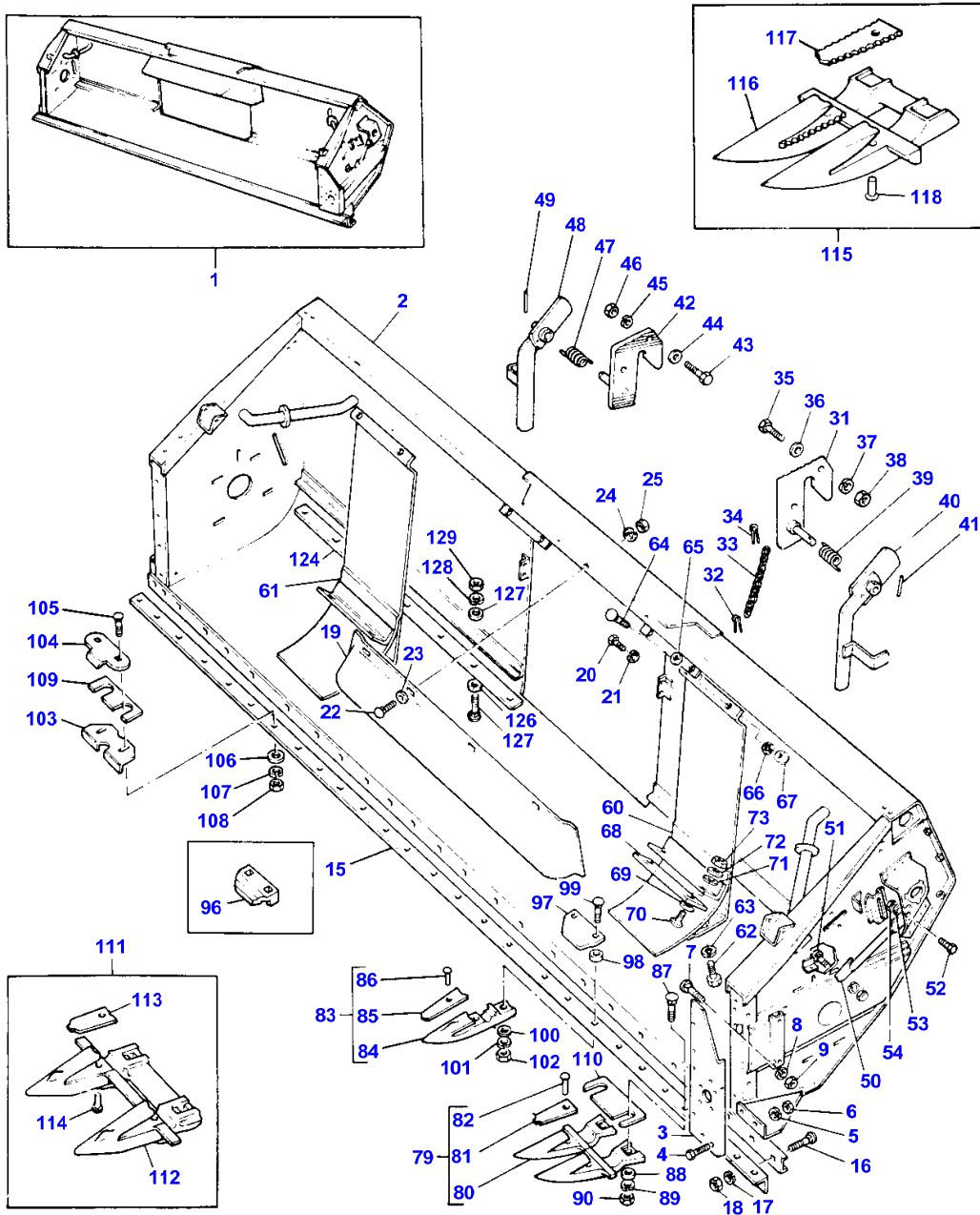
(E)  
FROM SERIAL NUMBER 6463 GERMANY ONLY

74

TABLE  
TABLE  
TISCH  
TAVOLA  
PLATAFORMA DE CORTE

20503001

3-2050-001-A



PRINTED IN U.K.

520 525

819611-H (1)

TABLE

Item	Part Number	Qty	Description	Comments
1	1855888M92	1	Table	(D) 10'/3.05M Up to Serial or Engine Number 3753
1	1855889M93	1	Table	(E) 12'/3.66M Up to Serial or Engine Number 3753
1	1855890M93	1	Table	(F) 14'/4.27M Up to Serial or Engine Number 3753
1	1855891M93	1	Table	(G) 16'/4.88M Up to Serial or Engine Number 3753
1	1615544M94	1	Table	10'/3.05M From Serial or Engine Number 3753
1	1615545M94	1	Table	12'/3.66M From Serial or Engine Number 3753
1	1615546M94	1	Table	14'/4.27M From Serial or Engine Number 3753
1	1615547M94	1	Table	16'/4.88M From Serial or Engine Number 3753
2		1	Table	(1) (H)
3	787114M93	1	Bracket	(1)
4	353517X1	2	Screw Unf	(1)
5	353446X1	2	Lock Washer	(1)
6	353916X1	2	Nut Unf	(1)
7	353794X1	2	Bolt Unf	(1)
8	353446X1	2	Lock Washer	(1)
9	353916X1	2	Nut Unf	(1)
15	786508M1	1	Bar	(1) 10'/3.05M
15	786509M1	1	Bar	(1) 12'/3.66M
15	786510M1	1	Bar	(1) 14'/4.27M
15	786511M1	1	Bar	(1) 16'/4.88M
16	353794X1	X	Bolt Unf	(1)
17	353446X1	X	Lock Washer	(1)
18	353916X1	X	Nut Unf	(1)
19	788425M91	1	Deflector	(1)
20	353516X1	4	Screw Unf	(1)
21	353446X1	4	Lock Washer	(1)
22	353791X1	8	Bolt Unf	(1)
23	376818X1	8	Washer	(1)
24	353446X1	8	Lock Washer	(1)
25	353916X1	8	Nut Unf	(1)
31	788151M91	1	Plate	(1) Left Hand
32	354073X1	2	Pin	(1)
33	788028M1	2	Chain	(1)
34	354076X1	2	Pin	(1)
35	353597X1	2	Bolt Unf	(1)
36	353758X1	2	Washer	(1)
37	353439X1	2	Lock Washer	(1)
38	353437X1	2	Nut Unf	(1)
39	786474M1	1	Spring	(1)
40	788157M91	1	Lever	(1) Left Hand
41	375007X1	1	Pin	(1)
42	788147M91	1	Plate	(1) Right Hand
43	353597X1	2	Bolt Unf	(1)
44	353758X1	2	Washer	(1)
45	353439X1	2	Lock Washer	(1)
46	353437X1	2	Nut Unf	(1)
47	786475M1	1	Spring	(1)
48	788153M91	1	Lever	(1) Right Hand
49	375007X1	1	Pin	(1)

TABLE

Item	Part Number	Qty	Description	Comments
50	787649M91	1	Strut	(1)
51	353807X1	1	Screw Unf	(1)
52	353537X1	1	Screw Unf	(1)
53	353434X1	2	Lock Washer	(1)
54	353431X1	2	Nut Unf	(1)
60	788284M93	1	Extension	Left Hand
61	788287M93	1	Extension	Right Hand
62	353517X1	4	Screw Unf	
63	353446X1	4	Lock Washer	
64	353791X1	4	Bolt Unf	
65	376818X1	4	Washer	
66	353446X1	4	Lock Washer	
67	353916X1	4	Nut Unf	
68	1855453M1	2	Strip	
69	353785X1	4	Bolt Unf	
70	376394X1	4	Washer	
71	353754X1	4	Washer	
72	353445X1	4	Lock Washer	
73	353918X1	4	Nut Unf	
79	1855729M91	2	Guard	(A)
80		1	Guard	(79) Not serviced, order 1855 729 M91
81	789351M1	2	Plate	(79)
82	340601X1	2	Rivet	(79)
83	789346M92	X	Finger	(A)
84		1	Guard	(83) Not serviced, order 789 346 M92
85	789351M1	1	Plate	(83)
86	340601X1	1	Rivet	(83)
87	353810X1	X	Bolt Unf	
88	353771X1	X	Washer	
89	353434X1	X	Lock Washer	
90	353431X1	X	Nut Unf	
96	786506M1	1	Clip	Up to Serial or Engine Number 6213
97	235197M1	1	Clip	From Serial or Engine Number 6213
98	368138X1	2	Spacer	From Serial or Engine Number 6213
99	354794X1	2	Bolt Unf	
100	353771X1	2	Washer	
101	353434X1	2	Lock Washer	
102	353431X1	2	Nut Unf	
103	206196M1	9	Guide	10'/3.05M
103	206196M1	11	Guide	12'/3.66M
103	206196M1	13	Guide	14'/4.27M
103	206196M1	15	Guide	16'/4.88M
104	206195M1	8	Clip	10'/3.05M
104	206195M1	11	Clip	12'/3.66M
104	206195M1	13	Clip	14'/4.27M
104	206195M1	15	Clip	16'/4.66M
105	353813X1	X	Bolt Unf	
106	353771X1	X	Washer	
107	353434X1	X	Lock Washer	(A)
108	353431X1	X	Nut Unf	
109	817018M1	X	Shim	
109	870589M1	X	Shim	
110	795102M1	2	Shim	
111	640590M91	X	Finger	(B) Up to Serial or Engine Number 2808
111	609993M91	X	Finger	(B) From Serial or Engine Number 2808
112		1	Guard	(111) Not serviced, order 640 590 M91/ 609 993 M91
113	206280M1	2	Plate	(111) Up to Serial or Engine Number 2808
113	789351M1	2	Plate	(111) From Serial or Engine Number 2808
114	340601X1	2	Rivet	(111) Up to Serial or Engine Number 2808
114	1442830X1	2	Rivet	(111) From Serial or Engine Number 2808

TABLE

Item	Part Number	Qty	Description	Comments
115	1616693M91	1	Guard	(C)
115	1616694M91	1	Guard	(C)
116		1	Guard	(115) Not serviced, order 1616 693 M91 /1616 694 M91
117	789351M1	2	Plate	(115)
118	1442830X1	2	Rivet	(115)
124	1615035M1	2	Strip	10'/3.05M
124	1855449M1	2	Strip	12'/3.66M
124	1855450M1	2	Strip	14'/4.27M
124	1855450M1	1	Strip	16'/4.88M
124	1855451M1	1	Strip	16'/4.88M
125	353785X1	X	Bolt Unf	
125	376394X1	X	Washer	
127	353754X1	X	Washer	
128	353445X1	X	Lock Washer	
129	353918X1	X	Nut Unf	

(A)  
WITH SINGLE KNIFEGUARDS

(B)  
WITH DOUBLE KNIFEGUARDS

(C)  
LONG CUT TABLES ONLY

(D)  
NO LONGER SERVICED USE 1615 544 M91 WITH 1616 047 M91

(E)  
NO LONGER SERVICED USE 1615 545 M91 WITH 1616 047 M91

(F)  
NO LONGER SERVICED USE 1615 546 M91 WITH 1616 047 M91

(G)  
NO LONGER SERVICED USE 1615 547 M91 WITH 1616 047 M91

(H)  
ORDER ASSEMBLY

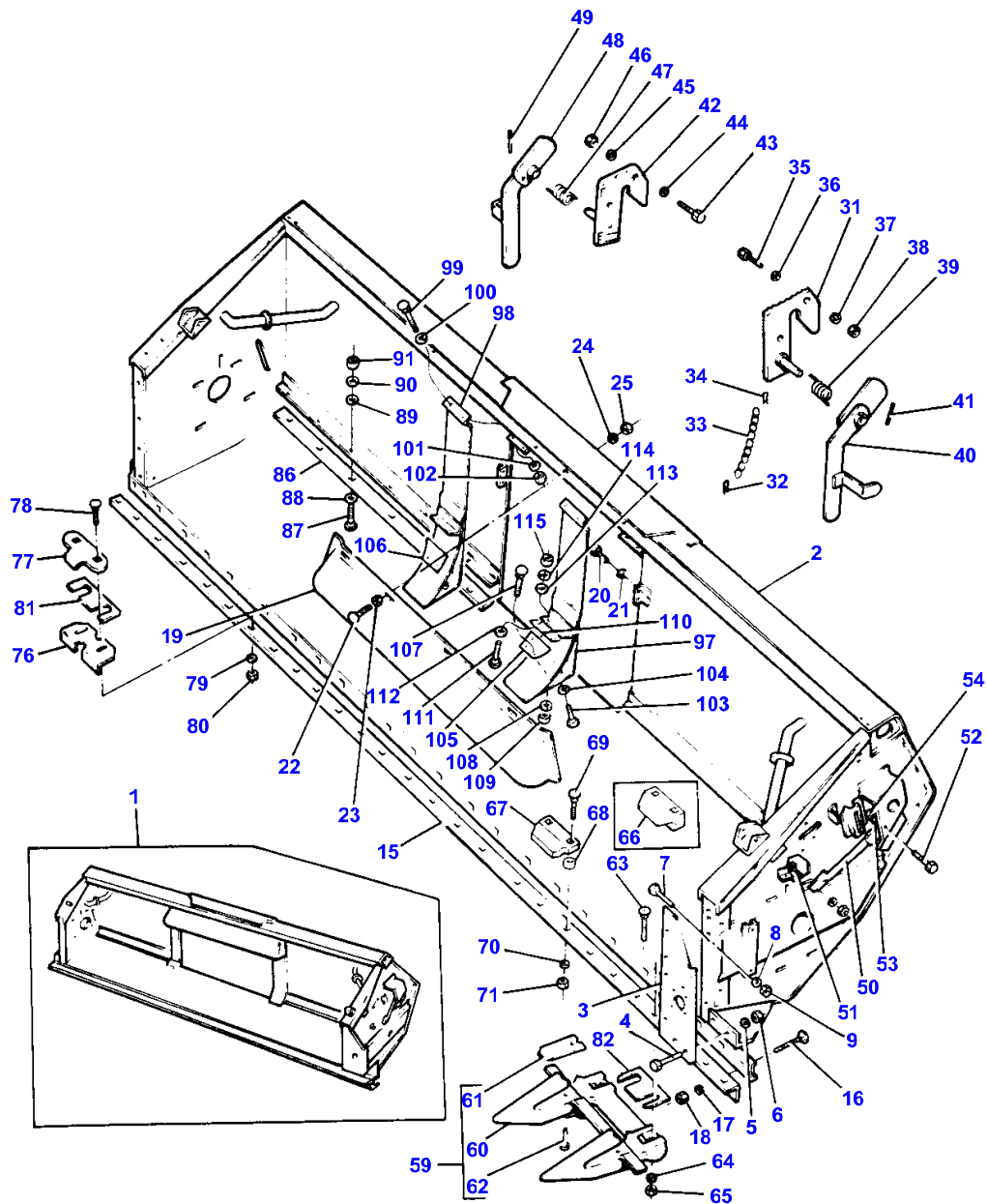


82

TABLE  
TABLE  
TISCH  
TAVOLA  
PLATAFORMA DE CORTE

20503003

3-2050-003-A



PRINTED IN U.K.

520 525

819611-H (1)

TABLE - RICE

Item	Part Number	Qty	Description	Comments
				RICE
1	1855893M93	1	Table	(A) 12'/3.66M Up to Serial or Engine Number 3753
1	1855894M93	1	Table	(B) 14'/4.27M Up to Serial or Engine Number 3753
1	1855895M93	1	Table	(C) 16'/4.88M Up to Serial or Engine Number 3753
1	1615549M94	1	Table	12'/3.66M From Serial or Engine Number 3753
1	1615550M94	1	Table	14'/4.27M From Serial or Engine Number 3753
1	1615551M94	1	Table	16'/4.88M From Serial or Engine Number 3753
2		1	Table	(1) (D)
3	787114M93	1	Bracket	(1)
4	353517X1	2	Screw Unf	(1)
5	353446X1	2	Lock Washer	(1)
6	353916X1	2	Nut Unf	(1)
7	353794X1	2	Bolt Unf	(1)
8	353446X1	2	Lock Washer	(1)
9	353916X1	2	Nut Unf	(1)
15	786509M1	1	Bar	(1) 12'/3.66M
15	786510M1	1	Bar	(1) 14'/4.27M
15	786511M1	1	Bar	(1) 16'/4.88M
16	353794X1	X	Bolt Unf	(1)
17	353446X1	X	Lock Washer	(1)
18	353916X1	X	Nut Unf	(1)
19	788425M91	1	Deflector	(1)
20	353516X1	4	Screw Unf	(1)
21	353446X1	4	Lock Washer	(1)
22	353791X1	6	Bolt Unf	(1)
23	376818X1	6	Washer	(1)
24	353446X1	6	Lock Washer	(1)
25	353916X1	6	Nut Unf	(1)
31	788151M91	1	Plate	(1) Left Hand
32	354073X1	2	Pin	(1)
33	788028M1	2	Chain	(1)
34	354076X1	2	Pin	(1)
35	353597X1	2	Bolt Unf	(1)
36	353758X1	2	Washer	(1)
37	353439X1	2	Lock Washer	(1)
38	353437X1	2	Nut Unf	(1)
39	786474M1	1	Spring	(1)
40	788157M91	1	Lever	(1) Left Hand
41	375007X1	1	Pin	(1)
42	788147M91	1	Plate	(1) Right Hand
43	353597X1	2	Bolt Unf	(1)
44	353758X1	2	Washer	(1)
45	353439X1	2	Lock Washer	(1)
46	353437X1	2	Nut Unf	(1)
47	786475M1	1	Spring	(1)
48	788153M91	1	Lever	(1) Right Hand
49	375007X1	1	Pin	(1)
50	787649M91	1	Strut	(1)
51	353807X1	1	Screw Unf	(1)
52	353537X1	1	Screw Unf	(1)
53	353434X1	2	Lock Washer	(1)
54	353431X1	2	Nut Unf	(1)

TABLE - RICE

Item	Part Number	Qty	Description	Comments
59	640590M91	X	Finger	Up to Serial or Engine Number 2808
59	609993M91	X	Finger	From Serial or Engine Number 2808
60		1	Guard	(59) Not serviced, order 640 590 M91/ 609 993 M91
61	206280M1	2	Plate	(59) Up to Serial or Engine Number 2808
61	789351M1	2	Plate	(59) From Serial or Engine Number 2808
62	340601X1	2	Rivet	(59) Up to Serial or Engine Number 2808
62	1442830X1	2	Rivet	(59) From Serial or Engine Number 2808
63	353810X1	X	Bolt Unf	
64	353771X1	X	Washer	
65	353431X1	X	Nut Unf	
66	786506M1	1	Clip	Up to Serial or Engine Number 6213
67	235197M1	1	Clip	From Serial or Engine Number 6213
68	368138X1	2	Spacer	From Serial or Engine Number 6213
69	354794X1	2	Bolt Unf	
70	353771X1	2	Washer	
71	353431X1	2	Nut Unf	
76	206196M1	11	Guide	12'/3.66M
76	206196M1	13	Guide	14'/4.27M
76	206196M1	15	Guide	16'/4.88M
77	206195M1	10	Clip	12'/3.66M
77	206195M1	12	Clip	14'/4.27M
77	206195M1	14	Clip	16'/4.88M
78	353813X1	X	Bolt Unf	
79	353771X1	X	Washer	
80	353431X1	X	Nut Unf	
81	817018M1	X	Shim	Thickness .015"/.38MM
81	870589M1	X	Shim	Thickness .010"/.25MM
82	795102M1	2	Shim	
86	1855449M1	2	Strip	12'/3.66M
86	1855450M1	2	Strip	14'/4.27M
86	1855450M1	1	Strip	16'/4.88M
86	1855451M1	1	Strip	16'/4.88M
87	353785X1	X	Bolt Unf	
88	376394X1	X	Washer	
89	353754X1	X	Washer	
90	353445X1	X	Lock Washer	
91	353918X1	X	Nut Unf	
97	1855858M91	1	Extension	Left Hand
98	1855856M91	1	Extension	Right Hand
99	353791X1	4	Bolt Unf	
100	376818X1	4	Washer	
101	353446X1	4	Lock Washer	
102	353916X1	4	Nut Unf	
103	353517X1	4	Screw Unf	
104	353446X1	4	Lock Washer	
105	1855440M1	1	Plate	Left Hand
106	1855439M1	1	Plate	Right Hand
107	377357X1	8	Bolt	
108	353445X1	8	Lock Washer	
109	353918X1	8	Nut Unf	
110	1855453M1	2	Strip	
111	353785X1	4	Bolt Unf	
112	376394X1	4	Washer	
113	353754X1	4	Washer	
114	353445X1	4	Lock Washer	
115	353918X1	4	Nut Unf	

(A)  
NO LONGER SERVICED USE 1615 549 M91 WITH 1616 047 M91

(B)  
NO LONGER SERVICED USE 1615 550 M91 WITH 1616 047 M91

(C)

TABLE - RICE

82

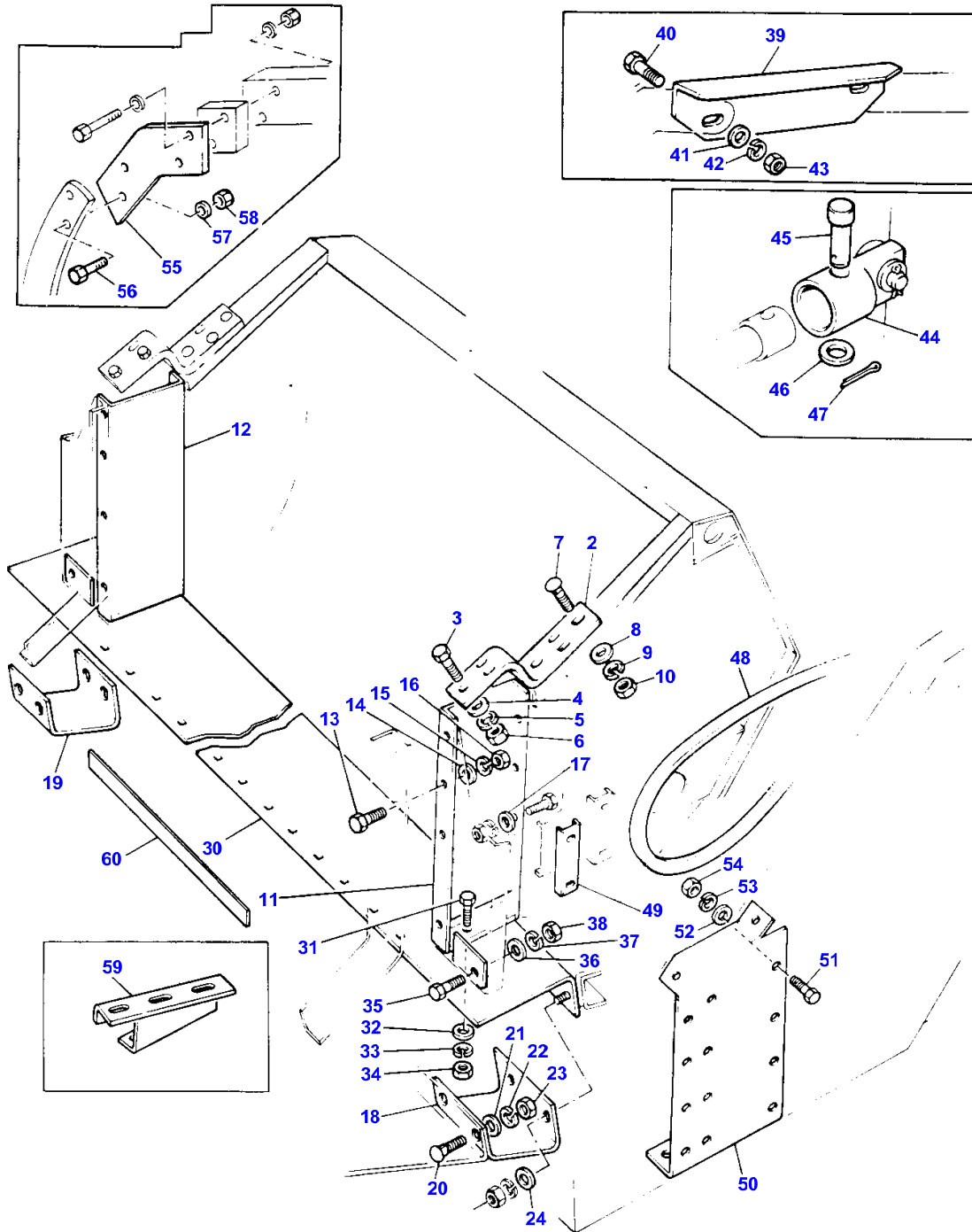
Item	Part Number	Qty	Description	Comments
				NO LONGER SERVICED USE 1615 551 M91 WITH 1616 047 M91
				(D) ORDER ASSEMBLY

88

LONG CUT KIT  
 JEU COUPE LONGUE  
 LANGSCHNEID - KIT  
 GRUPPO TAGLIO LUNGO  
 JUEGO CORTE LARGO

22503001

3-2250-001-B



PRINTED IN U.K.

520 525

819611-H (1)

LONG CUT KIT

Item	Part Number	Qty	Description	Comments
1	1616024M93	X	Kit, Long Cut	(D) 10'/3.05M
1	1616025M93	X	Kit, Long Cut	(D) 12'/3.66M
1	1616026M93	X	Kit, Long Cut	(D) 14'/4.27M
1	1616027M93	1	Kit, Long Cut	(D) 16'/4.88M
2	914817M1	1	Bracket	(1) Top
3	353519X1	4	Screw Unf	(1)
4	353755X1	4	Washer	(1)
5	353446X1	4	Lock	(1)
6	353916X1	4	Washer	(1)
6	353916X1	4	Nut Unf	(1)
7	353796X1	6	Bolt Unf	(1)
8	353755X1	6	Washer	(1)
9	353446X1	6	Lock	(1)
10	353916X1	6	Washer	(1)
10	353916X1	6	Nut Unf	(1)
11	914825M91	1	Extension	(1) Left Hand
12	914826M91	1	Extension	(1) Right Hand
13	353519X1	8	Screw Unf	(1)
14	353755X1	8	Washer	(1)
15	353446X1	8	Lock	(1)
16	353916X1	8	Washer	(1)
16	353916X1	8	Nut Unf	(1)
17	353755X1	8	Washer	(1)
18	914820M1	1	Extension	(1) Left Hand
19	914823M2	1	Extension	(1) Right Hand
20	353796X1	4	Bolt Unf	(1)
21	353755X1	4	Washer	(1)
22	353446X1	4	Lock	(1)
23	353916X1	4	Washer	(1)
23	353916X1	4	Nut Unf	(1)
24	353755X1	X	Washer	(1)
30	1615892M93	1	Bar	10'/3.05M
	1615893M93	1	Bar	12'/3.66M
	1615894M93	1	Bar	14'/4.27M
	1615895M93	1	Bar	16'/4.88M
31	353519X1	2	Screw Unf	(1)
32	353755X1	2	Washer	(1)
33	353446X1	2	Lock	(1)
34	353916X1	2	Washer	(1)
34	353916X1	2	Nut Unf	(1)
35	353518X1	2	Screw Unf	(1)
36	353755X1	2	Washer	(1)
37	353446X1	2	Lock	(1)
38	353916X1	2	Washer	(1)
38	353916X1	2	Nut Unf	(1)
39	914822M1	1	Extension	(1)
40	353502X1	2	Screw Unf	(1)
41	353754X1	2	Washer	(1)
42	353441X1	2	Lock	(1)
43	353918X1	2	Washer	(1)
43	353918X1	2	Nut Unf	(1)
44	1615932M1	2	Extension	(1) (B)
44	1616587M1	2	Extension	(1) (C)
45	195350M1	2	Clevis Pin	(1)
46	353760X1	2	Flat Washers	(1)
47	354076X1	2	Pin	(1)
48	402607M1	1	Belt	(1)
49	786255M2	1	Bracket	(1)

LONG CUT KIT

Item	Part Number	Qty	Description	Comments
50	1615929M1	1	Extension	(A)
51	353501X1	12	Screw Unf	(1)
52	353754X1	12	Washer	(1)
53	353441X1	12	Lock	(1)
			Washer	
54	353918X1	12	Nut Unf	(1)
55	1616514M2	2	Extension	(1)
56	353519X1	2	Screw Unf	(1)
57	353446X1	2	Lock	(1)
			Washer	
58	353916X1	2	Nut Unf	(1)
59	1616521M2	1	Support	(1)
60	1616970M1	1	Strap	

(A)

CONTAINED IN KITS 1616 024 M91, 1616 025 M91, 1616 026 M91 AND 1616 027 M91 ONLY

(B)

FOR USE WITH RAM 785 946 M91

(C)

FOR USE WITH RAM 1748 120 M92

(D)

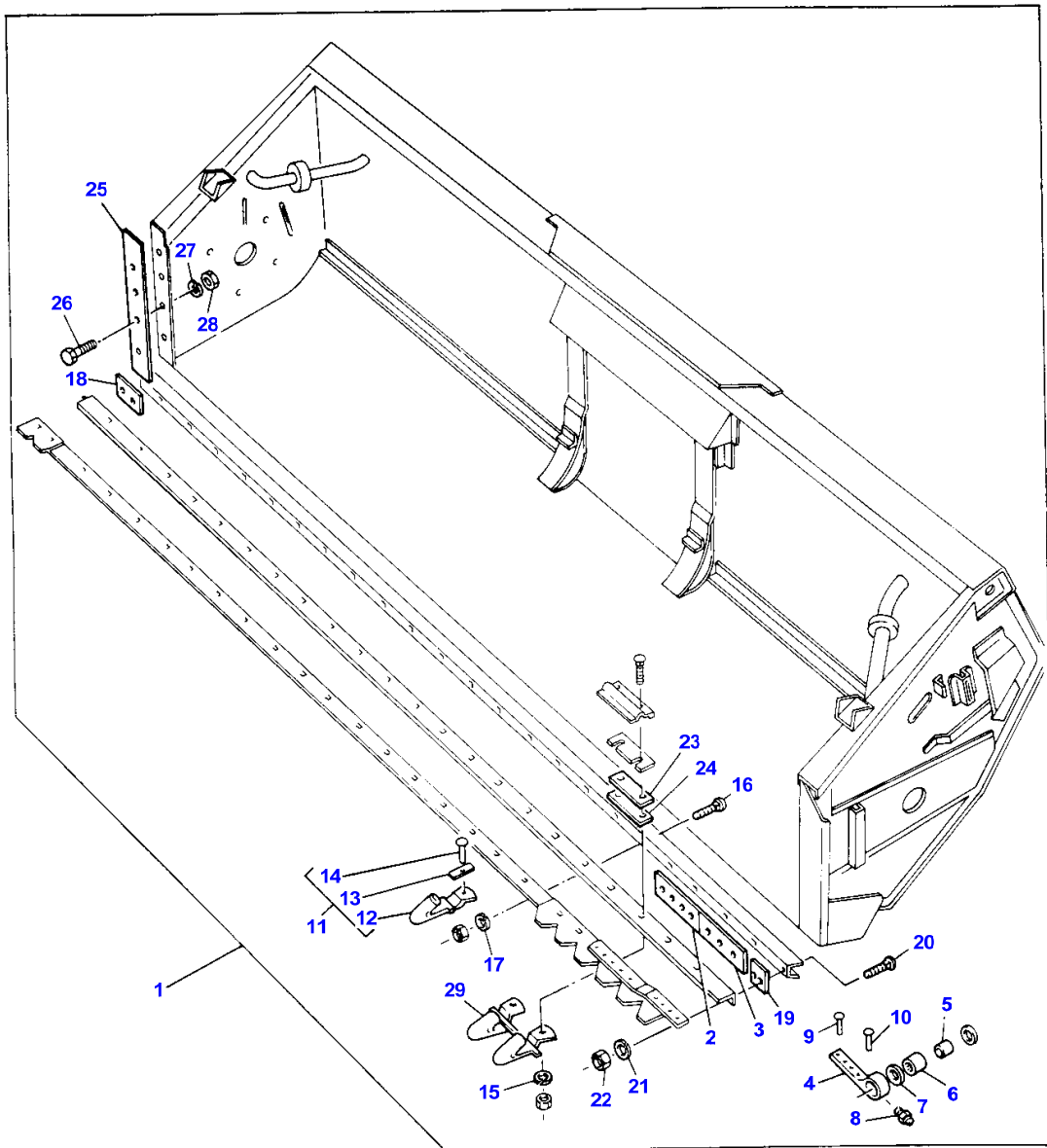
ORDER THROUGH WHOLEGOODS

92

DIRECT CUT GRASS SEED KIT  
 JEU DE PIÈCES DE COUPE DIRECTE POUR PETITES GRAINES  
 UMBBAUSATZ FÜR DIREKT SCHNEIDENDE GRASMAEHVORRICHTUNG  
 KIT TAGLIO DIRETTO SEME SUPERFICIALE  
 JUEGO PARA SEMILLAS DE PASTOS ENSILADOS FRESCOS

22523001

3-2252-001-A



PRINTED IN U.K.

520 525

819611-H (1)



DIRECT CUT GRASS SEED KIT

Item	Part Number	Qty	Description	Comments
1	784437M91	1	Kit, Seed	10'/3.05 M (A)
1	789354M93	1	Kit, Seed	10'/3.05 M (B)
2	789113M1	9	Spacer	1
3	789344M1	1	Spacer	1 (C)
4	789117M1	1	Head	1
5	239242M1	1	Roller	1
6	833083M1	1	Bearing Needle	1
7	831225M1	2	Seal	1
8	200191M1	1	Nipple	1
9	29140X	4	Rivet	1
10	29142X	1	Rivet	1
11	789346M92	36	Finger	1 (B)
12		1	Guard	11 Not serviced, order 789346M92
13	789351M1	1	Plate	11
14	340601X1	1	Rivet	11
15	353434X1	40	Lock Washer	1 (B)
16	353797X1	16	Bolt Unf	1
17	353446X1	16	Lock Washer	1
18	783616M1	1	Spacer	1 Left Hand
19	783615M1	1	Spacer	1 Right Hand
20	353798X1	4	Bolt Unf	1
21	353446X1	4	Lock Washer	1
22	353916X1	4	Nut Unf	1
23	817018M1	9	Shim	1 Thickness .015"/.38MM
24	870589M1	9	Shim	1 Thickness .010"/.25MM
25	789278M1	2	Packer	1
26	353519X1	8	Screw Unf	1
27	353446X1	8	Lock Washer	1
28	353916X1	8	Nut Unf	1
29	1855729M91	2	Guard	1 (B)
1	784438M91	1	Kit, Seed	12'/3.66M (A)
1	789355M93	1	Kit, Seed	12'/3.66M (B)
2	789113M1	11	Spacer	1
3	789344M1	1	Spacer	1 (C)
4	789117M1	1	Head	1
5	239242M1	1	Roller	1
6	833083M1	1	Bearing Needle	1
7	831225M1	2	Seal	1
8	200191M1	1	Nipple	1
9	29140X	4	Rivet	1
10	29142X	1	Rivet	1
11	789346M92	44	Finger	1 (B)
12		1	Guard	11 Not serviced, order 789346M92
13	789351M1	1	Plate	11
14	340601X1	1	Rivet	11
15	353434X1	48	Lock Washer	1 (B)
16	353797X1	18	Bolt Unf	1
17	353446X1	18	Lock Washer	1
18	783616M1	1	Spacer	1 Left Hand
19	783615M1	1	Spacer	1 Right Hand
20	353798X1	4	Bolt Unf	1

**MASSEY FERGUSON  
MF 520/525 COMBINES - 819611**

819611

92

**DIRECT CUT GRASS SEED KIT**

Item	Part Number	Qty	Description	Comments
21	353446X1	4	Lock Washer	1
22	353916X1	4	Nut Unf	1
23	817018M1	11	Shim	1
				Thickness .015"/.38MM
24	870589M1	11	Shim	1
				Thickness .010"/.25MM
25	789278M1	2	Packer	1
26	353519X1	8	Screw Unf	1
27	353446X1	8	Lock Washer	1
28	353916X1	8	Nut Unf	1
29	1855729M91	2	Guard	1
				(B)
1	784439M91	1	Kit, Seed	14'/4.27M
				(A)
1	789356M93	1	Kit, Seed	14'/4.27M
				(B)
2	789113M1	13	Spacer	1
3	789344M1	1	Spacer	1
				(C)
4	789117M1	1	Head	1
5	239242M1	1	Roller	1
6	833083M1	1	Bearing Needle	1
7	831225M1	2	Seal	1
8	200191M1	1	Nipple	1
9	29140X	4	Rivet	1
10	29142X	1	Rivet	1
11	789346M92	52	Finger	1
				(B)
12		1	Guard	11
				Not serviced, order 789346M92
13	789351M1	1	Plate	11
14	340601X1	1	Rivet	11
15	353434X1	56	Lock Washer	1
				(B)
16	353797X1	20	Bolt Unf	1
17	353446X1	20	Lock Washer	1
18	783616M1	1	Spacer	1
				Left Hand
19	783615M1	1	Spacer	1
				Right Hand
20	353798X1	4	Bolt Unf	1
21	353446X1	4	Lock Washer	1
22	353916X1	4	Nut Unf	1
23	817018M1	13	Shim	1
				Thickness .015"/.38MM
24	870589M1	13	Shim	1
				Thickness .010"/.25MM
25	789278M1	2	Packer	1
26	353519X1	8	Screw Unf	1
27	353446X1	8	Lock Washer	1
28	353916X1	8	Nut Unf	1
29	1855729M91	2	Guard	1
				(B)
1	784440M91	1	Kit, Seed	16'/4.88M
				(A)
1	789357M93	1	Kit, Seed	16'/4.88M
				(B)
2	789113M1	15	Spacer	1
3	789344M1	1	Spacer	1
				(C)
4	789117M1	1	Head	1
5	239242M1	1	Roller	1
6	833083M1	1	Bearing Needle	1
7	831225M1	2	Seal	1
8	200191M1	1	Nipple	1
9	29140X	4	Rivet	1
10	29142X	1	Rivet	1
11	789346M92	60	Finger	1
				(B)
12		1	Guard	11

**DIRECT CUT GRASS SEED KIT**

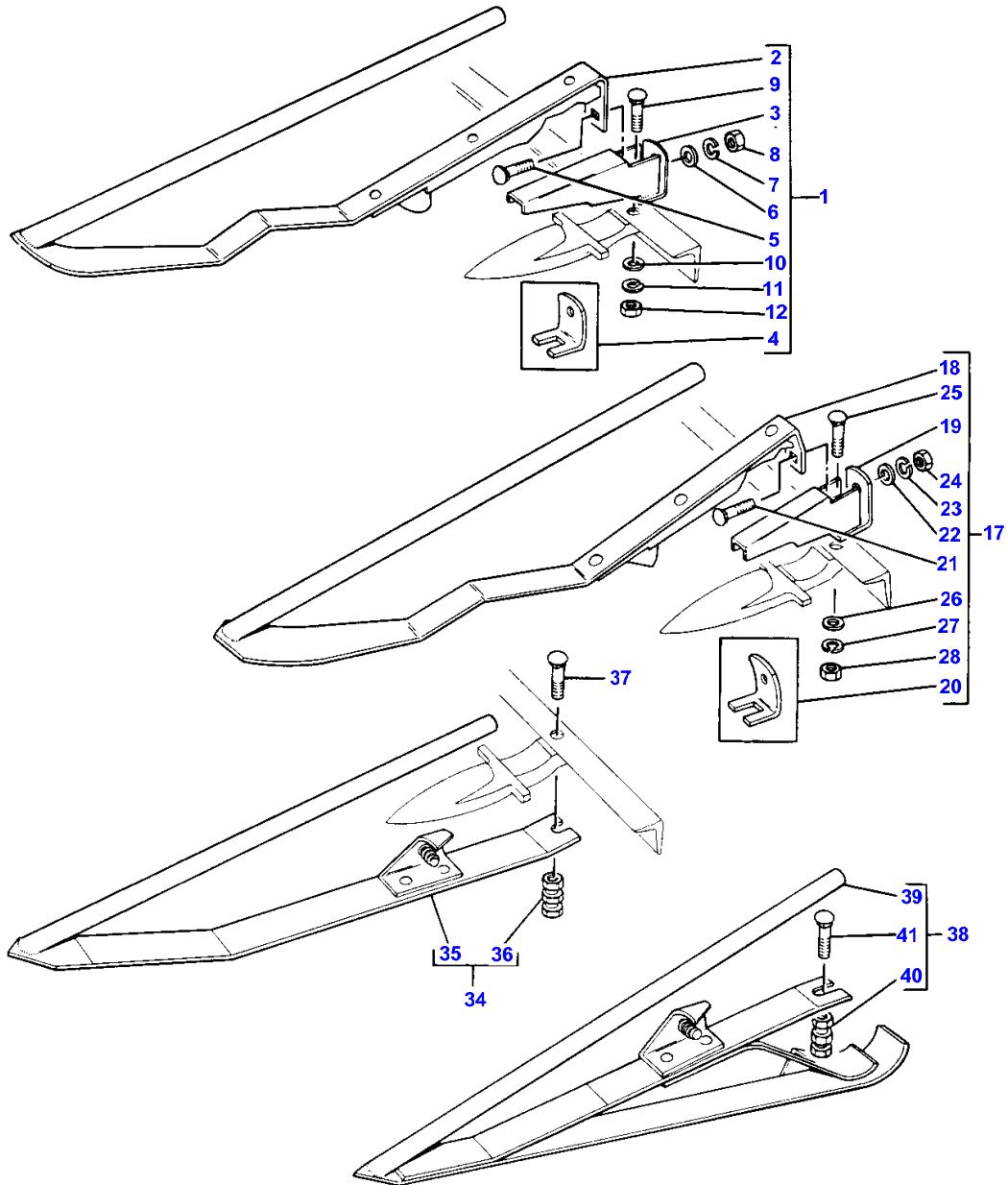
Item	Part Number	Qty	Description	Comments
				Not serviced, order 789346M92
13	789351M1	1	Plate	11
14	340601X1	1	Rivet	11
15	353434X1	64	Lock Washer	1 (B)
16	353797X1	23	Bolt Unf	1
17	353446X1	23	Lock Washer	1
18	783616M1	1	Spacer	1 Left Hand
19	783615M1	1	Spacer	1 Right Hand
20	353798X1	4	Bolt Unf	1
21	353446X1	4	Lock Washer	1
22	353916X1	4	Nut Unf	1
23	817018M1	15	Shim	1 Thickness .015"/.38MM
24	870589M1	15	Shim	1 Thickness .010"/.25MM
25	789278M1	2	Packer	1
26	353519X1	8	Screw Unf	1
27	353446X1	8	Lock Washer	1
28	353916X1	8	Nut Unf	1
29	1855729M91	2	Guard	1 (B) (A) WITH SINGLE KNIFEGUARDS (B) WITH DOUBLE KNIFEGUARDS (C) FITTED ON 10' AND 12' TABLES ONLY

98

EAR LIFTER  
 DOIGT RELEVEUR D'EPIS  
 Aehrenheber  
 ORECCHIA SOLLEVAMENTO  
 LEVANTAMIESES

22603001

3-2260-001-A



PRINTED IN U.K.

520 525

819611-H (1)

EAR LIFTER

Item	Part Number	Qty	Description	Comments
1	782748M91	X	Ear Lifter	(E) Not serviced, order 1718 447 M91 + 1442 868 X1
1	782749M91	X	Ear Lifter	(E,H) Not serviced, order 1718 447 M91 + 1442 868 X1
2			Ear Lifter	Not serviced, order 782748M91/ 782749M92
3	782744M91	1	Bracket	(1) (A)
4	782743M1	1	Bracket	(1) (B)
5	353793X1	1	Bolt Unf	(1)
6	353755X1	1	Washer	(1)
7	353446X1	1	Lock Washer	(1)
8	353916X1	1	Nut Unf	(1)
9	377100X1	1	Bolt	(1)
10	353771X1	1	Washer	(1)
11	353434X1	1	Lock Washer	(1)
12	353431X1	1	Nut Unf	(1)
17	786888M91	X	Ear Lifter	(F)
	786889M91	X	Ear Lifter	(F,H)
18		1	Ear Lifter	(17) Not serviced, order 786888M91/ 786889M91
19		1	Bracket	(17) (C) Not serviced, order 786 888 M91
20		1	Bracket	(17) (D) Not serviced, order 786 889 M91
21	353793X1	1	Bolt Unf	(17)
22	353755X1	1	Washer	(17)
23	353446X1	1	Lock Washer	(17)
24	353916X1	1	Nut Unf	(17)
25	377100X1	1	Bolt	(17)
26	353771X1	1	Washer	(17)
27	353434X1	1	Lock Washer	(17)
28	353431X1	1	Nut Unf	(17)
34	1718447M91	X	Ear Lifter	(G) Alternative 1616298M91
35		1	Ear Lifter	(34) Not serviced, order 171844M91
36	1718445M1	1	Nut	(34)
37	1442868X1	X	Bolt Metric	(G)
38	1616298M91	X	Ear Lifter	Alternative 1718447M91
39		1	Ear Lifter	(38) Not serviced, order 1616298M91
40	1616397M1	1	Nut	(38)
41	1442868X1	1	Bolt Metric	(38)
				(A) COMPONENT OF KIT 782 748 M91
				(B) COMPONENT OF KIT 782 749 M92
				(C) COMPONENT OF 786 888 M91
				(D) COMPONENT OF 786 889 M91
				(E) WITH SINGLE KNIFEGUARDS
				(F) WITH DOUBLE KNIFEGUARDS
				(G)

EAR LIFTER

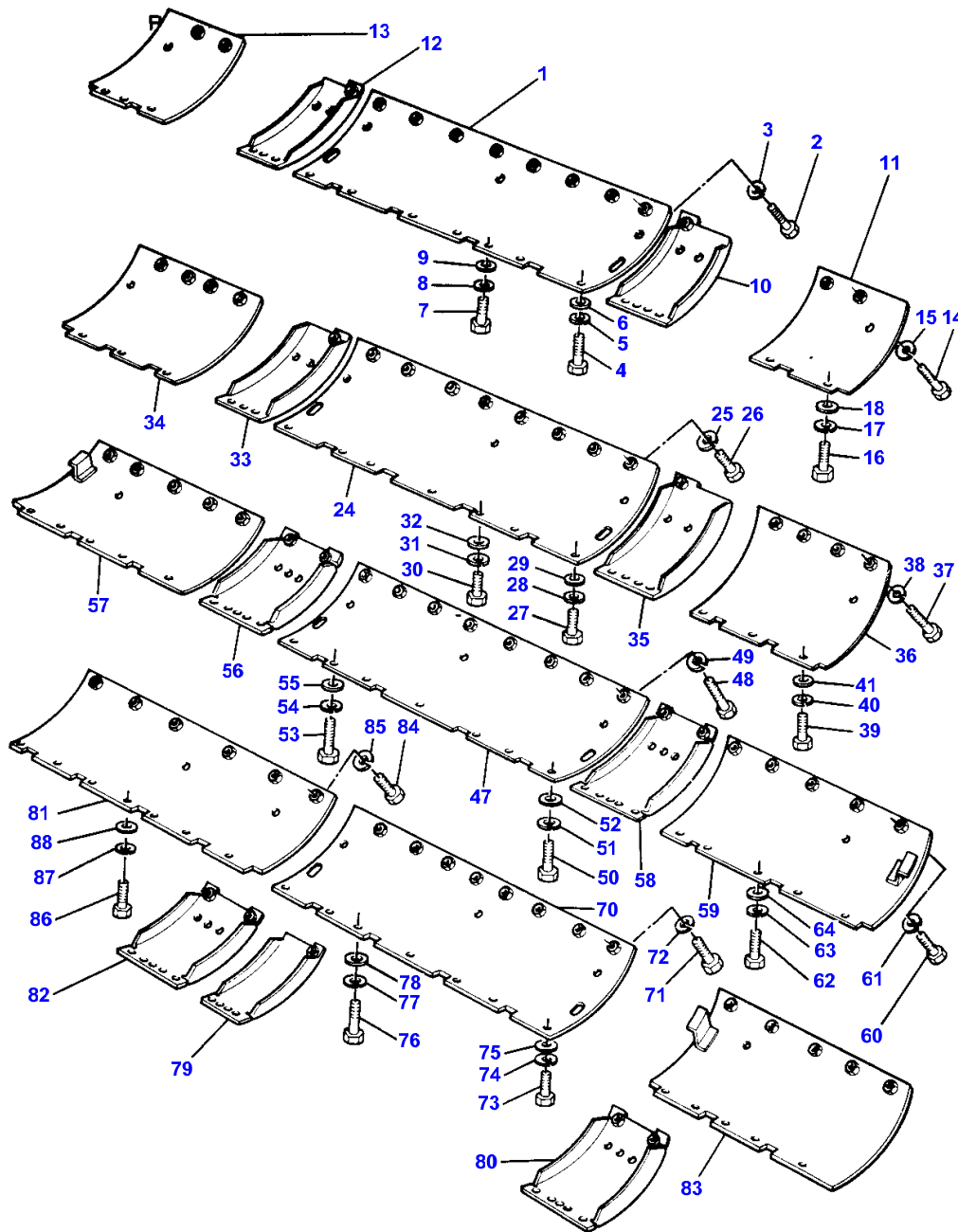
Item	Part Number	Qty	Description	Comments
				FOR USE WITH 609 993 M91 AND 789 346 M92
				(H)
				KNIFE HEAD EAR LIFTER

102

SKID PLATES  
 SABOT DE TABLE  
 GLEITSOHLEN  
 SCIVOLI  
 SUELAS DE PATINES

22453001

3-2245-001-A



PRINTED IN U.K.

520 525

819611-H (1)

SKID PLATES

Item	Part Number	Qty	Description	Comments
1	786386M91	1	Plate	10'/3.05M
2	793190M1	11	Bolt	
3	353432X1	11	Lock Washer	
4	353559X1	7	Screw Unf	(A)
	353559X1	2	Screw Unf	(B)
5	353432X1	7	Lock Washer	(A)
	353432X1	2	Lock Washer	(B)
6	353757X1	7	Washer	(A)
	353757X1	2	Washer	(B)
7	353561X1	5	Screw Unf	(B)
8	353432X1	5	Lock Washer	(B)
9	196107M1	5	Washer	(B)
10	786547M92	1	Plate	(A)
				Left Hand .10'/3.05M
11	786391M91	1	Plate	(B)
				Left Hand 10'/3.05M
12	786549M92	1	Plate	(A)
				Right Hand 10'/3.05M
13	786392M91	1	Plate	(B)
				Right Hand 10'/3.05M
14	793190M1	X	Bolt	
15	353432X1	X	Lock Washer	
16	353559X1	X	Screw Unf	
17	353432X1	X	Lock Washer	
18	353757X1	X	Washer	
24	786386M91	1	Plate	12'/3.66M
25	793190M1	11	Bolt	
26	353432X1	11	Lock Washer	
27	353559X1	7	Screw Unf	(A)
	353559X1	2	Screw Unf	(B)
28	353432X1	7	Lock Washer	(A)
	353432X1	2	Lock Washer	(B)
29	353757X1	7	Washer	(A)
	353757X1	2	Washer	(B)
30	353561X1	5	Screw Unf	(B)
31	353432X1	5	Lock Washer	(B)
32	196107M1	5	Washer	(B)
33	786547M92	1	Plate	(A)
				Left Hand 12'/3.66M
34	786395M91	1	Plate	(B)
				Left Hand 12'/3.66M
35	786549M92	1	Plate	(A)
				Right Hand 12'/3.66M
36	786396M91	1	Plate	(B)
				Right Hand 12'/3.66M
37	793190M1	X	Bolt	
38	353432X1	X	Lock Washer	
39	353559X1	X	Screw Unf	
40	353432X1	X	Lock Washer	
41	353757X1	X	Washer	
47	786386M91	1	Plate	14'/4.27M
48	793190M1	11	Bolt	
49	353432X1	11	Lock Washer	
50	353559X1	7	Screw Unf	(A)
	353559X1	2	Screw Unf	(B)
51	353432X1	7	Lock Washer	(A)
	353432X1	2	Lock Washer	(B)
52	353757X1	7	Washer	(A)
	353757X1	2	Washer	(B)
53	353561X1	5	Screw Unf	(B)
54	353432X1	5	Lock Washer	(B)
55	196107M1	5	Washer	(B)
56	787102M92	1	Plate	(A)
				Left Hand 14'/4.27M
57	787400M1	1	Shaft	(B)
				Left Hand 14'/4.27M
58	787102M92	1	Plate	(A)
				Right Hand 14'/4.27M
59	786399M93	1	Plate	(B)
				Right Hand 14'/4.27M



SKID PLATES

Item	Part Number	Qty	Description	Comments
60	793190M1	X	Bolt	
61	353432X1	X	Lock Washer	
62	353559X1	X	Screw Unf	
63	353432X1	X	Lock Washer	
64	353757X1	X	Washer	
70	786386M91	1	Plate	16'/4.88M
71	793190M1	11	Bolt	
72	353432X1	11	Lock Washer	
73	353559X1	7	Screw Unf	(A)
73	353559X1	2	Screw Unf	(B)
74	353432X1	7	Lock Washer	(A)
74	353432X1	2	Lock Washer	(B)
75	353757X1	7	Washer	(A)
75	353757X1	2	Washer	(B)
76	353561X1	5	Screw Unf	(B)
77	353432X1	5	Lock Washer	(B)
78	196107M1	5	Washer	(B)
79	786549M92	1	Plate	(A)
				Right Hand 16'/4.88M
80	787102M92	1	Plate	(A)
				Right Hand 16'/4.88M
81	786402M91	1	Plate	(B)
				Right Hand 16'/4.88M
82	787102M92	1	Plate	(A)
				Left Hand 16'/4.88M
83	786400M93	1	Plate	(B)
				Left Hand 16'/4.88M
84	793190M1	X	Bolt	
85	353432X1	X	Lock Washer	
86	353559X1	X	Screw Unf	
87	353432X1	X	Lock Washer	
88	353757X1	X	Washer	

(A)  
NORMAL TERRAIN

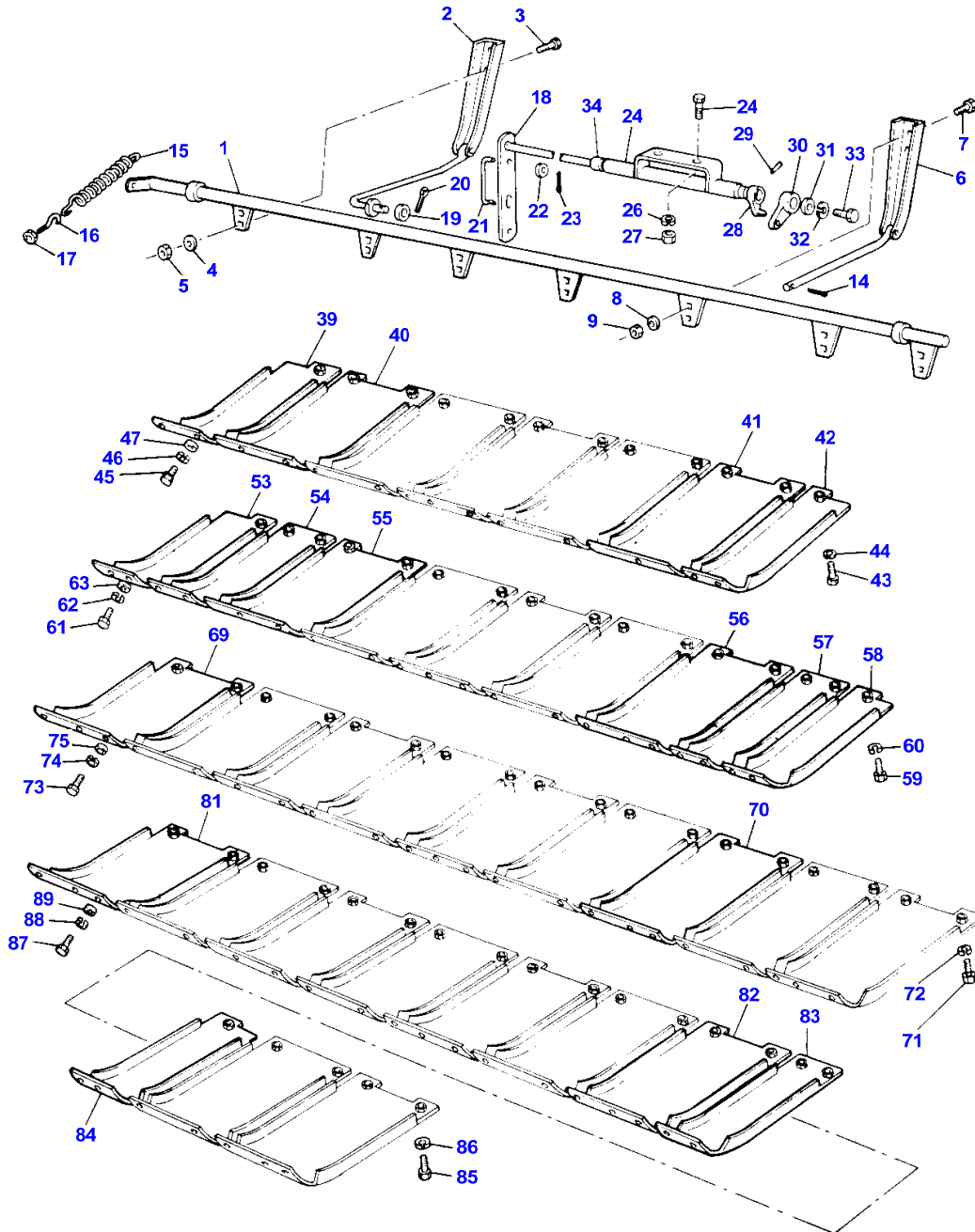
(B)  
ROCKY TERRAIN

108

SENSING FINGERS  
 CONTROLE AUTOMATIQUE DE HAUTEUR DE COUPE  
 TASTER  
 COMANDO AUTOMATICO ALZATA TAGLIO  
 DEDOS ESCAMOTEABLES

22103001

3-2210-001-A



PRINTED IN U.K.

520 525

819611-H (1)

SENSING FINGERS

Item	Part Number	Qty	Description	Comments
1	783152M91	1	Pivot	10'/3.05M
	783153M91	1	Pivot	12'/3.66M
	783154M91	1	Pivot	14'/4.27M
	783155M91	1	Pivot	16'/4.88M
2	783016M91	1	Finger	
3	353825X1	2	Bolt Unf	
4	353432X1	2	Lock Washer	
5	353428X1	2	Nut Unf	
6	786569M91	5	Finger	10'/3.05M
	786569M91	7	Finger	12'/3.66M
	786569M91	7	Finger	14'/4.27M
	786569M91	9	Finger	16'/4.88M
7	353825X1	X	Bolt Unf	
8	353432X1	X	Lock Washer	
9	353428X1	X	Nut Unf	
14	354087X1	1	Pin	
15	227971M1	1	Spring	
16	783219M1	1	Bolt	
17	375108X1	2	Nut Unc	
18	783020M91	1	Lever	Up to Serial or Engine Number 1244
	1615100M91	1	Lever	From Serial or Engine Number 1244
19	353760X1	1	Flat Washers	
20	354057X1	1	Pin	
21	783024M1	1	Clip	
22	355615X1	1	Washer	
23	361332X1	1	Pin	
24	783030M91	1	Bracket	Up to Serial or Engine Number 1244
	1615102M91	1	Bracket	From Serial or Engine Number 1244
25	353517X1	2	Screw Unf	
26	353916X1	2	Nut Unf	
27	353446X1	2	Lock Washer	
28	787976M2	1	Lever	Up to Serial or Engine Number 1244
	1615105M1	1	Lever	From Serial or Engine Number 1244
29	360563X1	1	Pin	Up to Serial or Engine Number 1244
	360676X1	1	Pin	From Serial or Engine Number 1244
30	783455M1	1	Lever	
31	353769X1	1	Washer	
32	353441X1	1	Lock Washer	
33	353501X1	1	Screw Unf	
34	783033M1	2	Bush	
39	786547M92	1	Plate	10'/3.05M Left Hand
40	787102M92	4	Plate	10'/3.05M Left Hand
41	787102M92	1	Plate	10'/3.05M Right Hand
42	786549M92	1	Plate	10'/3.05M Right Hand
43	793190M1	17	Bolt	
44	353432X1	17	Lock Washer	
45	353559X1	15	Screw Unf	
46	353432X1	15	Lock Washer	
47	353757X1	15	Washer	
53	786547M92	1	Plate	12'/3.66M Left Hand
54	786545M91	1	Plate	12'/3.66M Left Hand
55	787102M92	4	Plate	12'/3.66M Left Hand
56	787102M92	1	Plate	12'/3.66M Right Hand
57	786545M91	1	Plate	12'/3.66M Right Hand
58	786549M92	1	Plate	12'/3.66M Right Hand
59	793190M1	21	Bolt	
60	353432X1	21	Lock Washer	
61	353559X1	19	Screw Unf	
62	353432X1	19	Lock Washer	
63	353757X1	19	Washer	

**MASSEY FERGUSON**  
**MF 520/525 COMBINES - 819611**

819611

108

**SENSING FINGERS**

Item	Part Number	Qty	Description	Comments
69	787102M92	8	Plate	14'/4.27M Left Hand
70	787102M92	1	Plate	14'/4.27M Right Hand
71	793190M1	23	Bolt	
72	353432X1	23	Lock Washer	
73	353559X1	21	Screw Unf	
74	353432X1	21	Lock Washer	
75	353757X1	21	Washer	
81	787102M92	8	Plate	16'/4.88M Left Hand
82	787102M92	1	Plate	16'/4.88M Right Hand
83	786545M91	1	Plate	16'/4.88M Right Hand
84	786549M92	1	Plate	16'/4.88M Right Hand
85	793190M1	27	Bolt	
86	353432X1	27	Lock Washer	
87	353559X1	26	Screw Unf	
88	353432X1	26	Lock Washer	
89	353757X1	26	Washer	

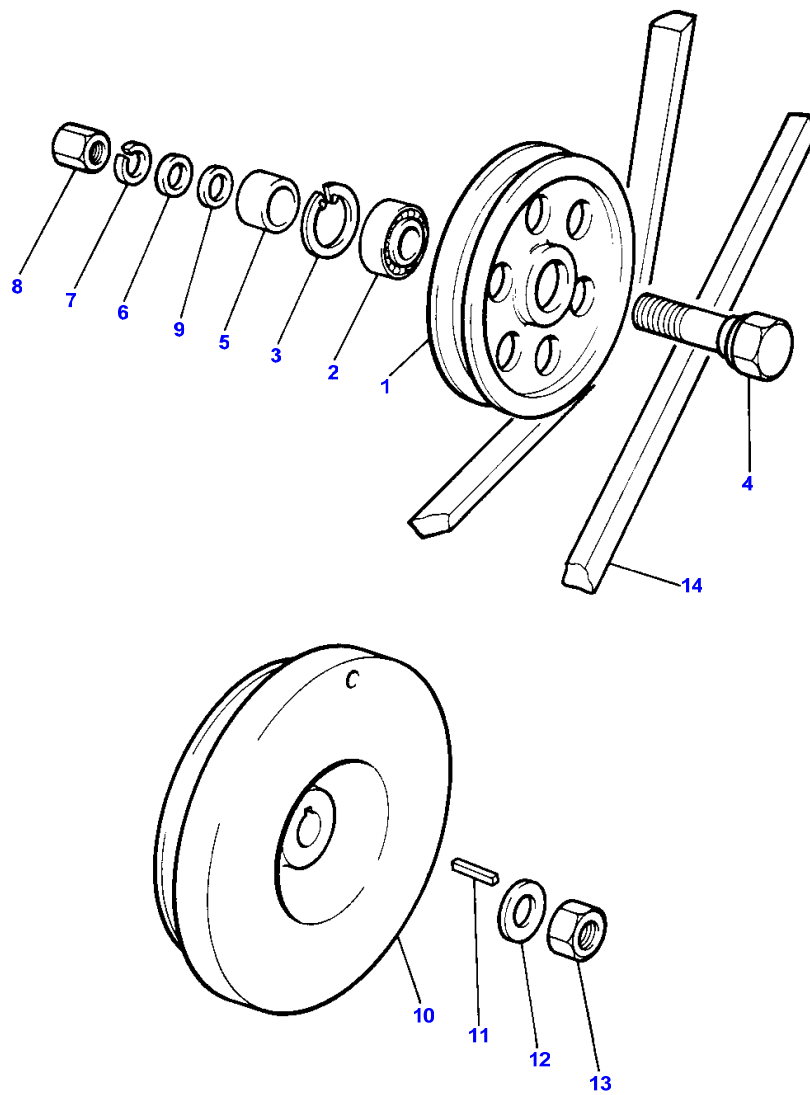
112

DRIVE PULLEY  
POULIES  
KEILREIMENSCHLEIBEN  
PULLEGGIA  
POLEAS

KNIFE  
LAME  
MESSER  
COLTELLO  
CUCHILLA

22513001

3-2251-001-A



**MASSEY FERGUSON**  
**MF 520/525 COMBINES - 819611**

819611

**DRIVE PULLEY-KNIFE - WOBBLE DRIVE**

112

Item	Part Number	Qty	Description	Comments
------	-------------	-----	-------------	----------

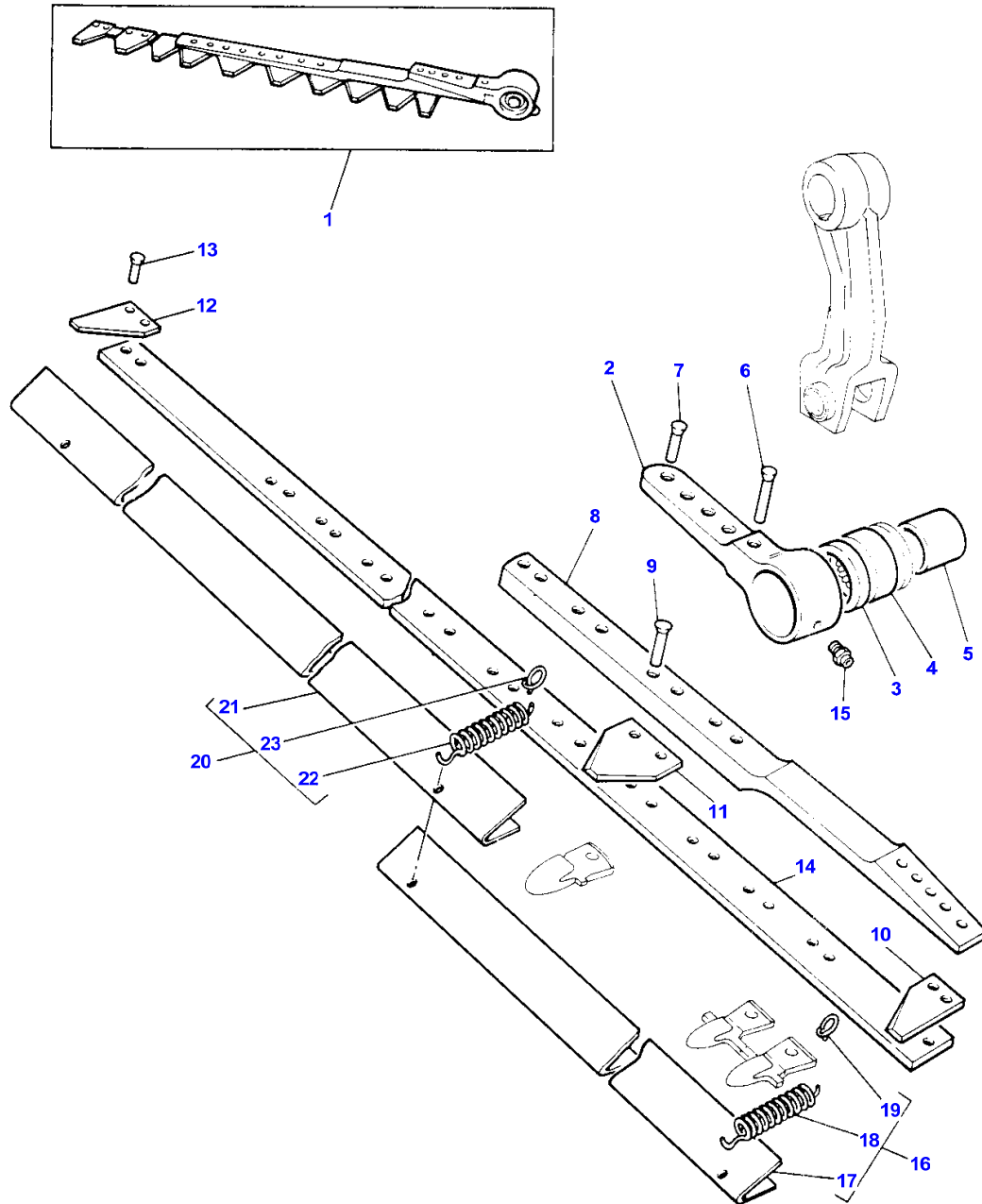
1	213736M1	1	Pulley	
2	339581X1	1	Bearing Ball	
3	208230M1	1	Ring	
4	227964M1	1	Bolt	
5	786039M2	1	Spacer	
6	353760X1	1	Flat Washers	
7	353433X1	1	Lock Washer	
8	353427X1	1	Nut Unf	
9	353774X1	1	Washer	
10	617929M1	1	Pulley	
11	10721X	1	Key	(A)
12	833196M1	1	Washer	(A)
13	353427X1	1	Nut Unf	(A)
14	785585M3	1	Belt	

(A)  
INCLUDED IN 787910M95 WOBBLE DRIVE KIT

114  
 KNIFE  
 LAME  
 MESSER  
 LAMA  
 CUCHILLA

20543001

3-2054-001-A



PRINTED IN U.K.

520 525

819611-H (1)

KNIFE

Item	Part Number	Qty	Description	Comments
1	785572M91	1	Knife	(A,E) Up to Serial or Engine Number 6213 3M
1	1616859M91	1	Knife	(A) From Serial or Engine Number 6213 3M
1	785573M91	1	Knife	(B,E) Up to Serial or Engine Number 6213 3M
1	1616865M91	1	Knife	(B) From Serial or Engine Number 6213 3M
1	785574M91	1	Knife	(A,E) Up to Serial or Engine Number 6213 3.6M
1	1616860M91	1	Knife	(A) From Serial or Engine Number 6213 3.6M
1	785575M91	1	Knife	(B,E) Up to Serial or Engine Number 6213 3.6M
1	1616866M91	1	Knife	(B) From Serial or Engine Number 6213 3.6M
1	785576M91	1	Knife	(A,E) Up to Serial or Engine Number 6213 4.2M
1	1616861M91	1	Knife	(A) From Serial or Engine Number 6213 4.2M
1	785577M91	1	Knife	(B,E) Up to Serial or Engine Number 6213 4.2M
1	1616867M91	1	Knife	(B) From Serial or Engine Number 6213 4.2M
1	785578M91	1	Knife	(A,E) Up to Serial or Engine Number 6213 4.8M
1	1616862M91	1	Knife	(A) From Serial or Engine Number 6213 4.8M
1	785579M91	1	Knife	(B,E) Up to Serial or Engine Number 6213 4.8M
1	1616868M91	1	Knife	(B) From Serial or Engine Number 6213 4.8M
2	785584M1	1	Head	(1)
3	831225M1	2	Seal	(1)
4	833083M1	1	Bearing Needle	(1)
5	239242M1	1	Roller	(1)
6	29142X	1	Rivet	(1)
7	29140X	4	Rivet	(1)
8	785583M1	1	Spring	(1)
8	1616858M1	1	Spring	Up to Serial or Engine Number 6213 (1) (E) From Serial or Engine Number 6213
9	10410X	8	Rivet	(1)
10	790860M1	1	Section	(1) (B) Left Hand
10	647116M1	1	Section	(1) (A) Left Hand
11	206236M1	X	Section	(1)
	210987M1	X	Section	(1) (B)
12	790863M1	1	Section	(1)



KNIFE

Item	Part Number	Qty	Description	Comments
12	790861M1	1	Section	(A) Right Hand (1) (B) Right Hand
13	10404X	X	Rivet	(1)
14	247510M1	1	Knife Back	(1) 3M
14	234660M1	1	Knife Back	(1) 3.6M
14	234661M1	1	Knife Back	(1) 4.2M
14	234663M1	1	Knife Back	(1) 4.8M
15	200191M1	1	Nipple	(1)
16	617743M91	1	Guard	(C)
16	617743M91	2	Guard	(C)
16	617743M91	1	Guard	(C)
17		1	Guard	(16) (D)
18	322980M1	2	Spring	(16)
19	322979M1	2	Knotter Hook	(16)
20	617744M91	1	Guard	(C)
20	617744M91	2	Guard	(C)
20	617744M91	1	Guard	(C)
20	617744M91	2	Guard	(C)
21		1	Guard	(20) (D)
22	322980M1	2	Spring	(20)
23	322979M1	2	Knotter Hook	(20)

(A)  
OVER SERRATED KNIFE

(B)  
SMOOTH KNIFE

(C)  
GERMANY ONLY

(D)  
ORDER APPROPRIATE ASSEMBLY

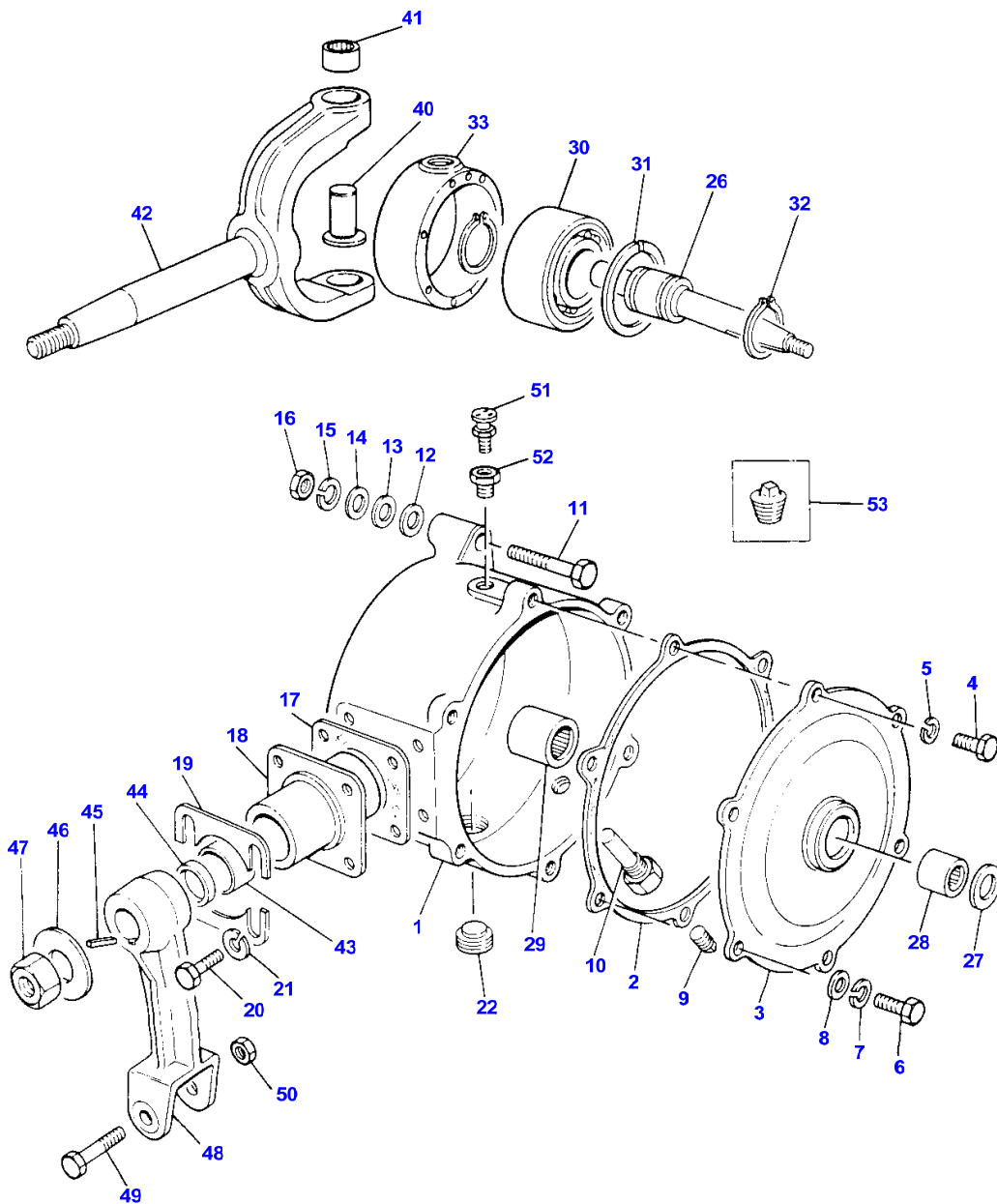
(E)  
NO LONGER SERVICED REFER TO SUBSTITUTION LIST FOR DETAILS

120

WOBBLE DRIVE  
 COMMANDE OSCILLANTE  
 TAUMELANTRIEB  
 TRASMISSIONE DISASSATA  
 MANDO OSCILANTE DE CUCHILLA

21003002

3-2100-002-A



PRINTED IN U.K.

520 525

819611-H (1)

**WOBBLE DRIVE**

Item	Part Number	Qty	Description	Comments
1	236566M1	1	Housing	(A,E) Up to Serial or Engine Number 2495
1	914996M1	1	Housing	(A) From Serial or Engine Number 2495
2	236567M1	1	Gasket	(A)
3	236568M1	1	Cover	(A)
4	353678X1	4	Screw Unc	(A)
5	353446X1	4	Lock Washer	(A)
6	353679X1	2	Screw Unc	(A)
7	353446X1	2	Lock Washer	(A)
8	353755X1	2	Washer	(A)
9	375181X1	1	Plug	(A)
10	914997M91	1	Adaptor	(C) Up to Serial or Engine Number 2495
11	353570X1	2	Bolt Unf	
12	361096X1	X	Washer	
13	353757X1	X	Washer	
14	353757X1	2	Washer	
15	353432X1	2	Lock Washer	
16	353426X1	2	Nut Unf	
17	236579M1	1	Gasket	(A)
18	787483M1	1	Housing	Up to Serial or Engine Number 257
	1855237M2	1	Housing	(A) From Serial or Engine Number 257
19	785613M1	2	Spacer	
20	353701X1	4	Screw Unc	(A)
21	353432X1	4	Lock Washer	(A)
22	1855590M91	1	Plug	(A) From Serial or Engine Number 2495
26	239598M2	1	Shaft	(A)
27	831135M1	2	Seal	(A) Up to Serial or Engine Number 3600
28	843282M1	1	Bearing	(A,B)
29	843283M1	1	Bearing	(A,B)
30	833309M1	1	Bearing	(A)
31	367504X1	1	Ring	(A,B)
32	364553X1	2	Ring	(A)
33	249148M4	1	Housing	(D) Up to Serial or Engine Number 1608
33	914897M1	1	Housing	(A,B) From Serial or Engine Number 1608
40	249149M3	2	Pin	(D) Up to Serial or Engine Number 1608
40	914794M1	2	Pin	(A,B) From Serial or Engine Number 1608
41	832879M1	2	Bearing	(A)
42	236569M2	1	Yoke	(F)
	261606M1	1	Yoke	(A)
43	833346M1	2	Bearing	(A,B)
44	831225M1	1	Seal	Up to Serial or Engine Number 257
	834782M1	1	Seal	(A) From Serial or Engine Number 257
45	49378X	1	Key	(A)
46	239497M1	1	Washer	(A)
47	355646X1	1	Nut Unf	(A)
48	239160M2	1	Arm	
49	238499M1	1	Bolt	
50	376449X1	1	Nut Unf	
51	182099M91	1	Breather	(A) From Serial or Engine Number 257
52	362007X1	1	Reducer	(A) From Serial or Engine Number 257
53	375181X1	1	Plug	Up to Serial or Engine Number 257

(A)  
ITEMS INCLUDED IN 787910M97 WOBBLE KNIFE DRIVE KIT

WOBBLE DRIVE

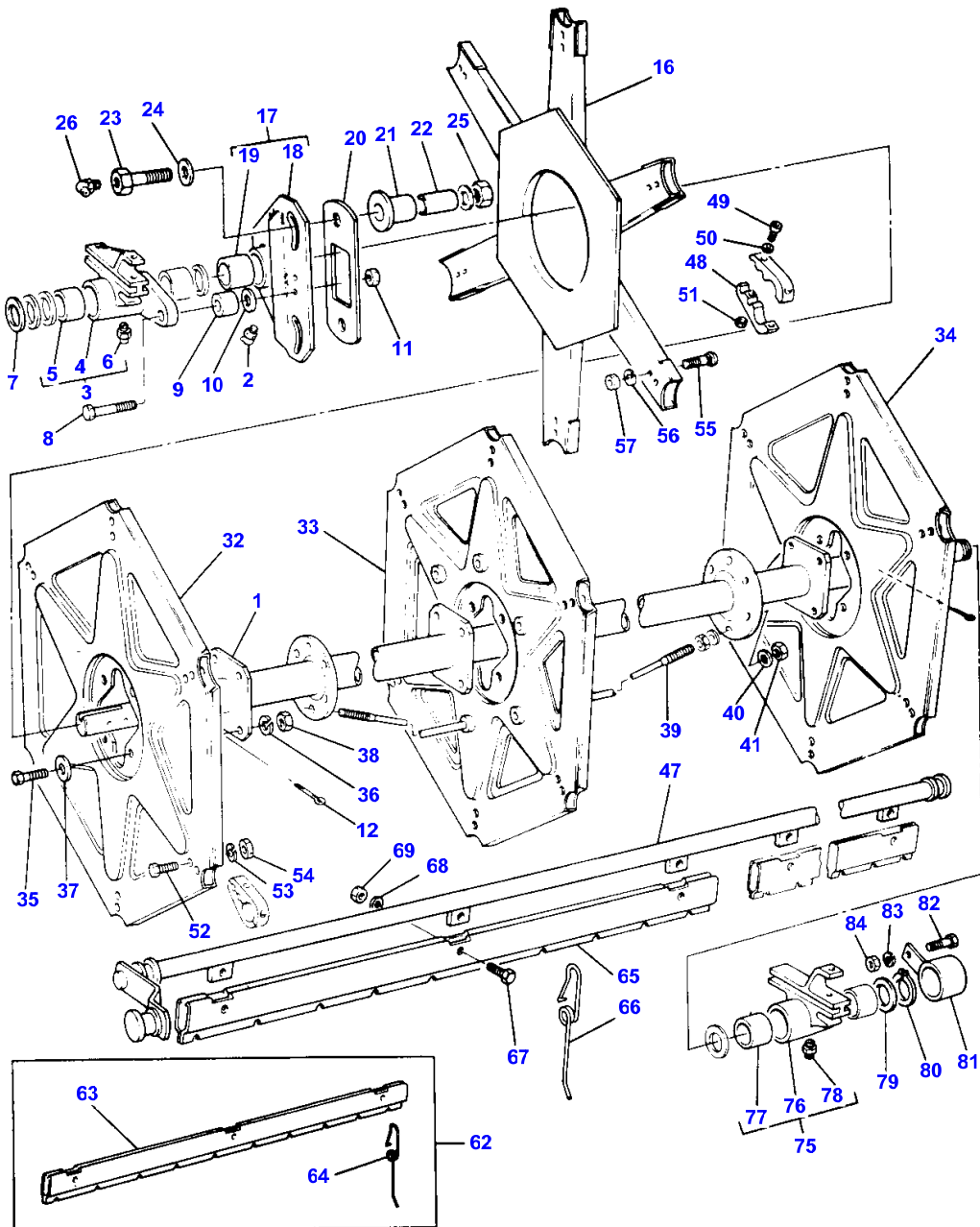
Item	Part Number	Qty	Description	Comments
				(B) ITEMS INCLUDED IN KIT 914871M93
				(C) TO INCREASE OIL LEVEL OF DRIVES UP TO 787910M95
				(D) NO LONGER SERVICED USE 914871M93
				(E) NO LONGER SERVICED USE 914996M1 WITH 1855590M91
				(F) NO LONGER SERVICED USE 261606M1 WITH 1855237M2 (1) 834782M1 (1) AND 833346M1 (2)
				(G) NO LONGER SERVICED USE 261 445 M91 (1) 914 997 M91 (1) AND 353 755 X1 (4)

124

PICK UP REEL  
 RABATTEUR PICK UP  
 PICK-UP HASPEL  
 RIVELATORE ASPO  
 MOLINETE DE PUAS

21153001

3-2115-001-A



PRINTED IN U.K.

520 525

819611-H (1)

PICK UP REEL

Item	Part Number	Qty	Description	Comments
1	782875M91	1	Shaft	3M
	782876M91	1	Shaft	3.6M
	782877M91	1	Shaft	4.2M
	782878M91	1	Shaft	4.8M
2	29958X	1	Lubricator	
3	782898M92	1	Bearing	Left Hand
4		1	Bearer	(3) Not serviced, order 782 898 M92
5	640125M1	2	Bearing	(3)
6	200191M1	1	Nipple	(3)
7	637421M1	2	Washer	
8	353575X1	1	Bolt Unf	
9	785664M1	1	Spacer	
10	353772X1	3	Washer	
11	376760X1	1	Nut	
12	354095X1	1	Pin	
16	793682M92	1	Head	
17	793691M93	1	Plate	
18		1	Plate	(17) Not serviced, order 793 691 M93
19	793694M1	1	Bearing	(17)
20	793708M1	1	Strap	
21	793690M1	2	Roller	
22	793731M2	2	Bush	
23	794433M1	2	Bolt	
24	353774X1	2	Washer	
25	353427X1	2	Nut Unf	
26	850778M1	2	Nipple	
32	793686M92	1	Spider	3M 3.6M
	793686M92	1	Spider	4.2M 4.8M
33	793686M92	1	Spider	3M 3.6M
	787062M92	1	Spider	4.2M
	787062M92	2	Spider	4.8M
34	782871M92	1	Spider	3M 3.6M
	782871M92	1	Spider	4.2M 4.8M
35	353561X1	X	Screw Unf	
36	353432X1	X	Lock Washer	
37	355620X1	X	Washer	
38	353426X1	X	Nut Unf	
39	787083M91	6	Rod	4.2M
	787429M91	6	Rod	4.8M
40	353439X1	24	Lock Washer	
41	375098X1	24	Nut Unc	
47	782867M92	6	Bar	3M
	782868M92	6	Bar	3.6M
	782869M92	6	Bar	4.2M
	782870M92	6	Bar	4.8M
48	911692M1	X	Bearing	
49	355126X1	X	Screw Unc	
50	22427X	X	Lock Washer	
51	354120X1	X	Nut	
52	353521X1	X	Bolt Unf	
	376444X1	X	Bolt Unf	
53	353446X1	X	Lock Washer	
54	353916X1	X	Nut Unf	
55	376444X1	12	Bolt Unf	
56	353446X1	12	Lock Washer	
57	353916X1	12	Nut Unf	
62	1615793M91	X	Kit	Up to Serial or Engine Number 2317 3M
	1615794M91	X	Kit, Repair	Up to Serial or Engine Number 2317 3.6M
	1615795M91	X	Kit, Repair	Up to Serial or Engine Number 2317 4.2M
	1615796M91	X	Kit, Repair	Up to Serial or Engine Number 2317 4.8M
63	782889M93	1	Batt	(62) 3M
63	782890M93	1	Batt	(62) 3.6M
63	782891M93	1	Batt	(62) 4.2M
63	782892M93	1	Batt	(62) 4.8M

**PICK UP REEL**

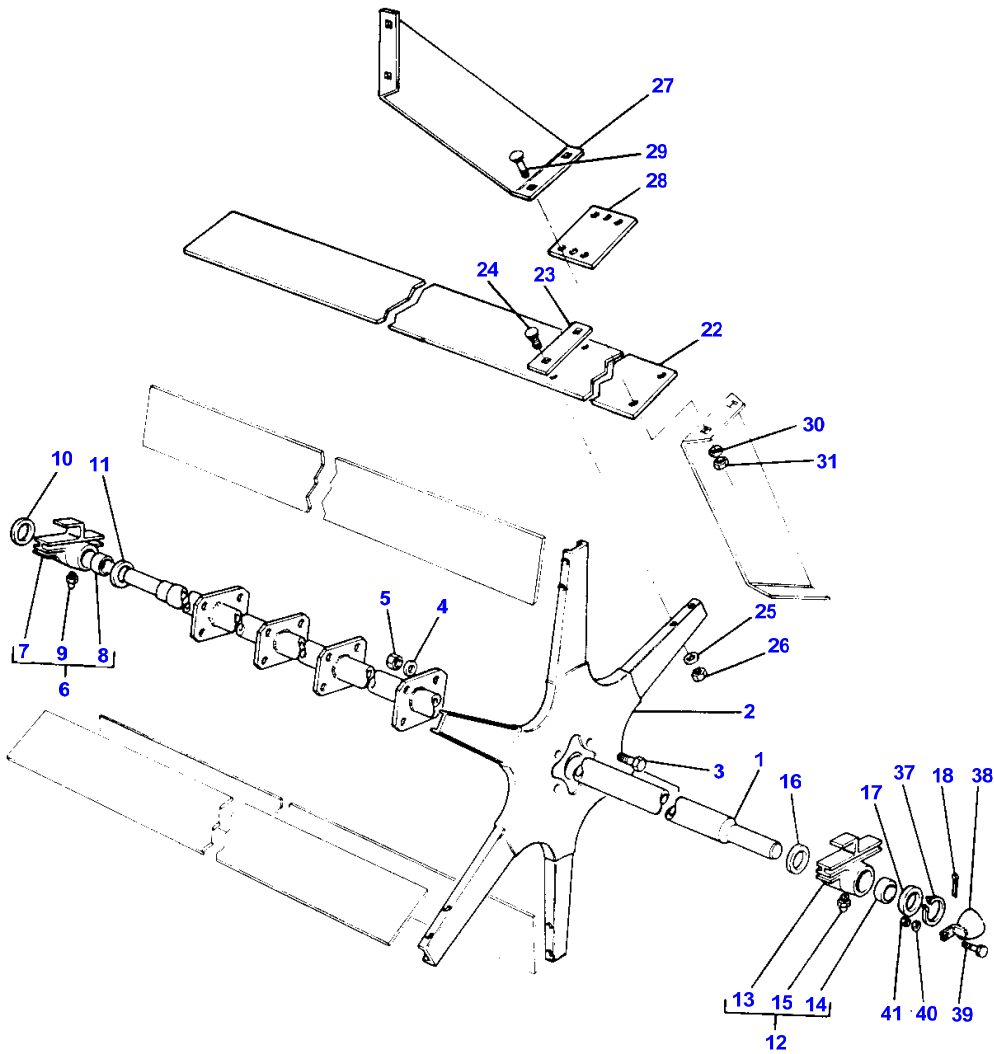
Item	Part Number	Qty	Description	Comments
64	914978M1	12	Reel Tine	(62) 3M
64	914978M1	14	Reel Tine	(62) 3.6M
64	914978M1	17	Reel Tine	(62) 4.2M
64	914978M1	13	Reel Tine	(62) 4.8M
65	782889M93	12	Batt	From Serial or Engine Number 2317 3M
65	782890M93	12	Batt	From Serial or Engine Number 2317 3.6M
65	782891M93	12	Batt	From Serial or Engine Number 2317 4.2M
65	782892M93	18	Batt	From Serial or Engine Number 2317 4.8M
66	914978M1	144	Reel Tine	From Serial or Engine Number 2317 3M
66	914978M1	168	Reel Tine	From Serial or Engine Number 2317 3.6M
66	914978M1	204	Reel Tine	From Serial or Engine Number 2317 4.2M
66	914978M1	244	Reel Tine	From Serial or Engine Number 2317 4.8M
67	353521X1	X	Bolt Unf	
68	353446X1	X	Lock Washer	
69	353916X1	X	Nut Unf	
75	782897M91	1	Bearing	
76	782899M1	1	Bearing	(75)
77	640125M1	2	Bearing	(75)
78	200191M1	1	Nipple	(75)
79	637421M1	2	Washer	
80	355916X1	1	Circlip	
81	787559M91	1	Cup	
82	353502X1	1	Screw Unf	
83	353441X1	1	Lock Washer	
84	353918X1		Nut Unf	

128

BATT REEL  
 RABATTEUR A LATTES  
 LATTENHASPEL  
 ASPO PER CASAME  
 MOLINETE DE PALETAS

21103001

3-2110-001-A



PRINTED IN U.K.

520 525

819611-H (1)



BATT REEL

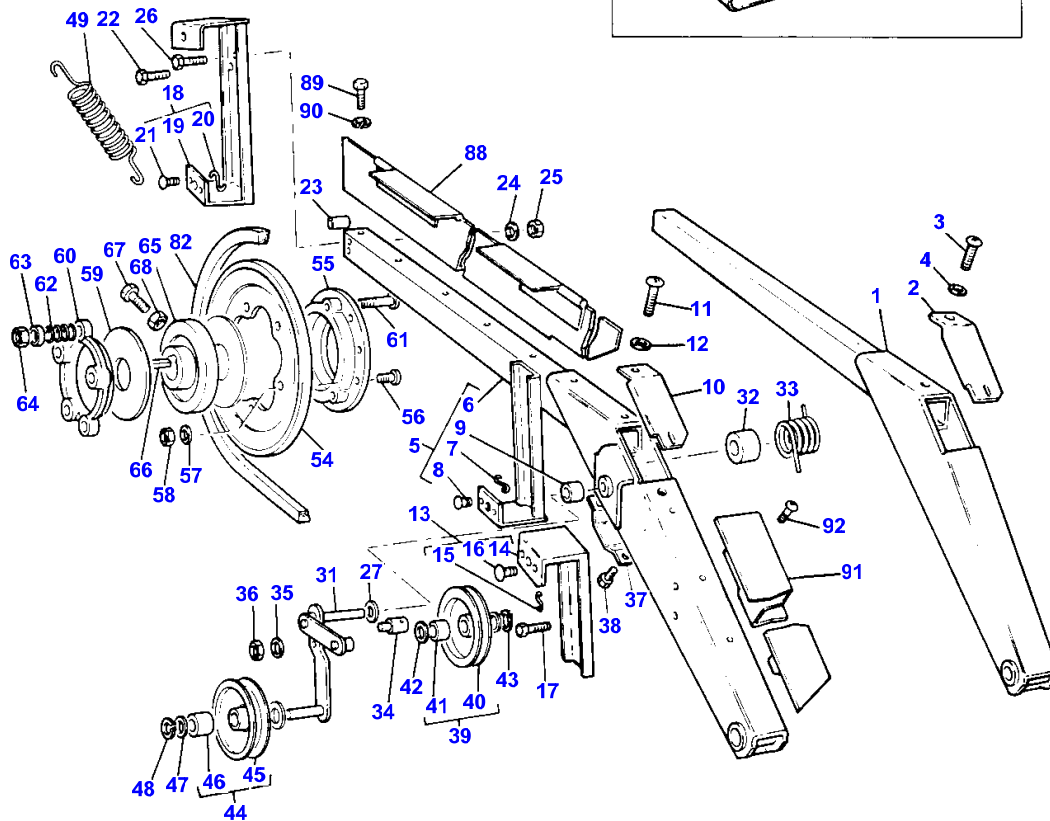
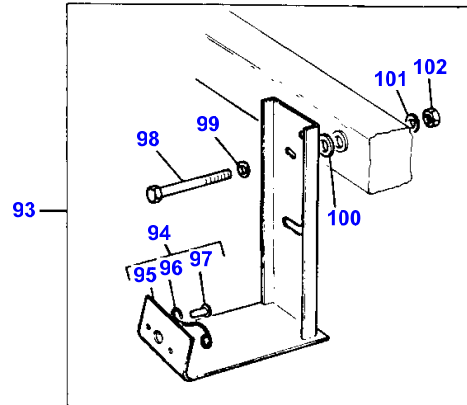
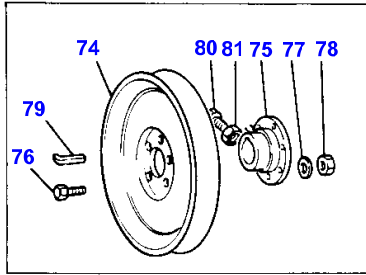
Item	Part Number	Qty	Description	Comments
1	787569M91	1	Shaft	3M
	787569M91	1	Shaft	3.6M
	787571M91	1	Shaft	4.2M
	787572M91	1	Shaft	4.8M
2	785697M91	2	Spider	3M
	785697M91	3	Spider	3.6M
	785697M91	4	Spider	4.2M
	785697M91	4	Spider	4.8M
3	353559X1	X	Screw Unf	
4	353432X1	X	Lock Washer	
5	353426X1	X	Nut Unf	
6	785839M91	1	Slider Bearing	Left Hand
7	785840M1	1	Slider Bearing	(6)
8	640215M92	2	Bearing Carrier	(6)
9	200191M1	1	Nipple	(6)
10	637421M1	1	Washer	
11	637421M1	1	Washer	
12	785836M92	1	Bearing	Right Hand
13	785837M2	1	Slider Bearing	(12)
14	640215M92	2	Bearing Carrier	(12)
15	200191M1	1	Nipple	(12)
16	637421M1	1	Washer	
17	637421M1	1	Washer	
18	354095X1	1	Pin	
22	GT 5037	6	Beater	3M
	GK 5123	6	Slat	3.6M
	GK 5219	6	Slat	4.2M
	203614M1	6	Beater	4.8M
23	360538X1	12	Strap	3M
	360538X1	18	Strap	3.6M
	360538X1	24	Strap	4.2M
	360538X1	24	Strap	4.8M
24	353794X1	X	Bolt Unf	
25	353446X1	X	Lock Washer	
26	353916X1	X	Nut Unf	
27	790951M1	12	Shield	
28	787839M1	12	Strip	
29	353795X1	24	Bolt Unf	
30	353446X1	24	Lock Washer	
31	353916X1	24	Nut Unf	
37	355916X1	1	Circlip	
38	787559M91	1	Cup	
39	353502X1	1	Screw Unf	
40	353441X1	1	Lock Washer	
41	353918X1	1	Nut Unf	

130

REEL LIFT ARMS AND PULLEY  
 BRAS DE RELEVAGE RABATTEUR ET POULIE  
 HASPELTRAGARME UND RIEMENSCHLEIBE  
 BRACCI SOLLEVAMENTO ASPO E PULEGGIA  
 LEVANTAMIENTO BRAZOS MOLINETE Y POLEA

21503001

3-2150-001-A



**MASSEY FERGUSON**

**MF 520/525 COMBINES - 819611**

**819611**

**REEL LIFT ARMS AND PULLEY - UP TO SERIAL NO 1234 BATT AND PICK UP FROM SERIAL NO 1234 BATT ONLY**

**130**

Item	Part Number	Qty	Description	Comments
				UP TO SERIAL NO 1234 BATT AND PICK UP FROM SERIAL NO 1234 BATT ONLY
1	785808M93	1	Arm	
2	785841M1	1	Cover	
3	354198X1	2	Screw Unc	
4	353753X1	2	Washer	
5	785811M96	1	Arm	
6		1	Arm	(5) Not serviced, order 785 811 M96
7	785601M1	1	Spring	(5)
8	16862X	2	Rivet	(5)
9	377238X1	2	Bush	(5)
10	785841M1	1	Cover	
11	354198X1	2	Screw Unc	
12	353753X1	2	Washer	
13	786585M92	1	Bracket	
14		1	Bracket	(13) Not serviced, order 786 585 M92
15	785601M1	1	Spring	(13)
16	16862X	2	Rivet	(13)
17	785906M1	2	Screw	
18	784011M91	1	Bracket	(C)
19		1	Bracket	(18) Not serviced, order 784 011 M91
20	785601M1	1	Spring	(18)
21	16862X	2	Rivet	(18)
22	354493X1	2	Screw	
23	785857M1	2	Spacer	
24	353441X1	2	Lock Washer	
25	353918X1	2	Nut Unf	
26	785906M1	1	Screw	
27	353762X1	1	Washer	
31	789212M92	1	Arm	
32	785859M1	1	Support	
33	788017M1	1	Spring	
34	785871M1	1	Retainer	
35	353446X1	1	Lock Washer	
36	353916X1	1	Nut Unf	
37	785872M1	1	Cover	
38	785906M1	4	Screw	
39	785878M91	1	Pulley	(B)
	789211M91	1	Pulley	(A)
40		1	Pulley	(39) Not serviced, order 789 211 M91
41	785880M1	1	Bearing	(39)
42	785881M1	2	Washer	
43	22042X	1	Segment	
44	785873M91	1	Pulley	
45		1	Pulley	(44) Not serviced, order 785 873 M91
46	785805M1	1	Bearing	(44)
47	785875M1	2	Washer	
48	352438X1	1	Circlip	
49	789221M1	1	Spring	
54	789207M91	1	Pulley	(A)
55	202981M1	1	Carrier	(A)
56	353809X1	5	Bolt Unf	(A)
57	353434X1	5	Lock Washer	(A)
58	353431X1	5	Nut Unf	(A)
59	GK 5034	2	Washer	(A)
60	GT 163	1	Disc	(A)
61	354801X1	5	Bolt	(A)
62	789205M1	5	Spring	(A)
63	789218M1	5	Cap	(A)
64	353431X1	5	Nut Unf	
65	787393M1	1	Hub	(A)
66	MP 1153	1	Key Door	(A)
67	355202X1	1	Screw Unc	(A)
68	375107X1	1	Nut Unc	(A)
74	785903M91	1	Pulley	(B)

Item	Part Number	Qty	Description	Comments
75	792441M1	1	Hub	(B)
76	353518X1	6	Screw Unf	(B)
77	353446X1	6	Lock Washer	(B)
78	353916X1	6	Nut Unf	(B)
79	MP 1153	1	Key Door	(B)
80	355202X1	1	Screw Unc	(B)
81	375107X1	1	Nut Unc	(B)
82	785810M1	1	Belt	(B)
82	1615333M1	1	Belt	(A)
88	784013M91	1	Support	
89	353515X1	6	Screw Unf	
90	353446X1	6	Lock Washer	
91	783963M1	1	Shield	
92	785906M1	3	Screw	
93	1616078M91	X	Kit, Repair	
94	617959M91	1	Bracket	(93)
95		1	Bracket	(94)
96	785601M1	1	Spring	(94)
97	16862X	2	Rivet	(94)
98	354497X1	2	Bolt Unf	(93)
99	353755X1	1	Washer	(93)
100	376818X1	4	Washer	(93)
101	353446X1	2	Lock Washer	(93)
102	353916X1	2	Nut Unf	(93)

(A)  
FOR USE WITH PICK-UP REEL ONLY

(B)  
FOR USE WITH BATT REELS ONLY

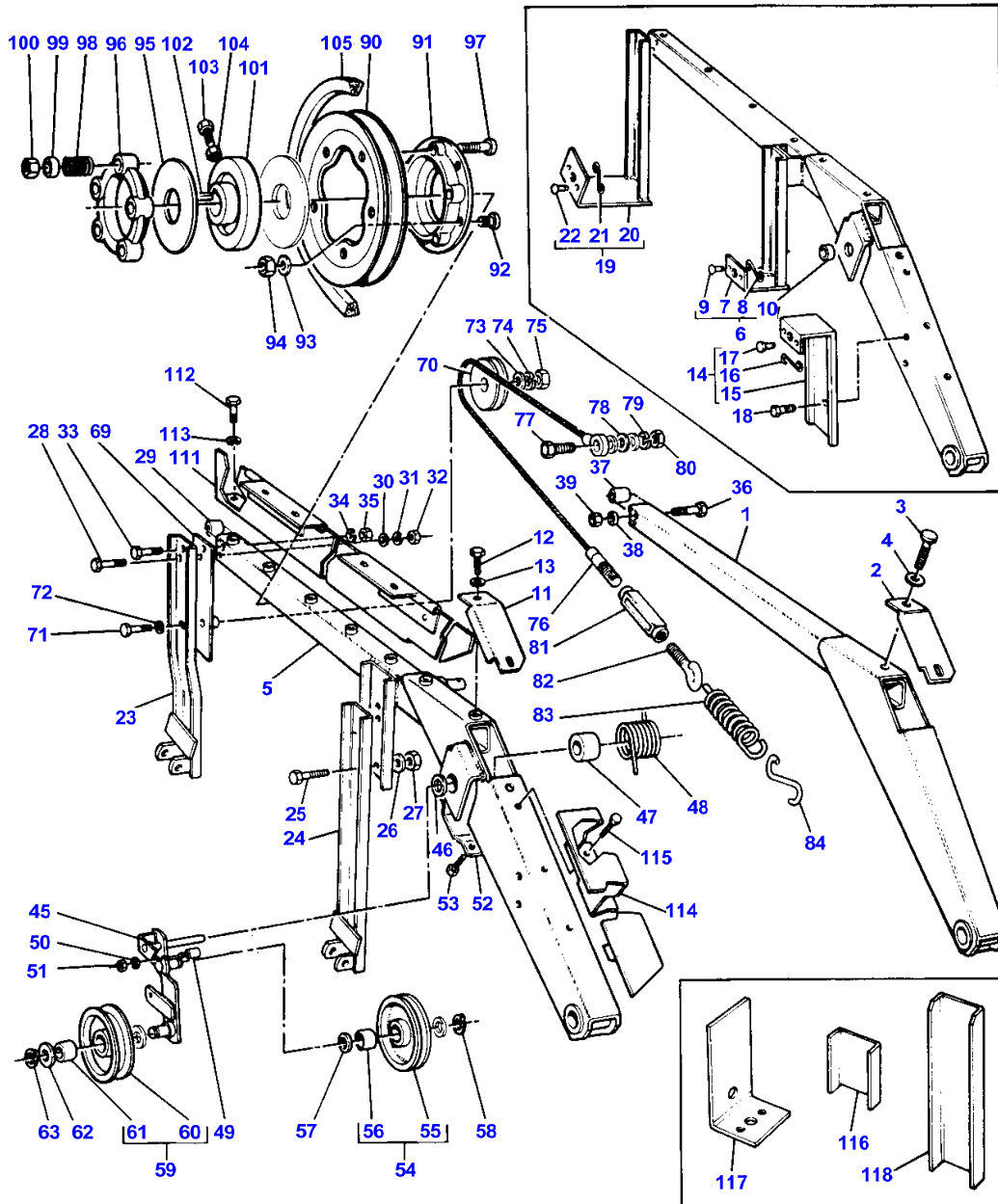
(C)  
NO LONGER SERVICED USE 1616078M91

136

REEL LIFT ARMS AND PULLEY  
 BRAS DE RELEVAGE RABATTEUR ET POULIE  
 HASPELTRAGARME UND RIEMENSCHLEIBE  
 BRACCI SOLLEVAMENTO ASPO E PULEGGIA  
 LEVANTAMIENTO BRAZOS MOLINETE Y POLEA

21503002

3-2150-002-A



PRINTED IN U.K.

520 525

819611-H (1)

**REEL LIFT ARMS AND PULLEY - PICK UP FROM SERIAL NO 1234**

Item	Part Number	Qty	Description	Comments
				PICK UP FROM SERIAL NO 1234
1	1615014M91	1	Arm	Right Hand
2	785841M1	1	Cover	
3	354198X1	2	Screw Unc	
4	353753X1	2	Washer	
5	1615576M91	1	Arm	(D) From Serial or Engine Number 3753
6	617957M91	1	Arm	(C) Up to Serial or Engine Number 3753
7		1	Arm	(6) Not serviced, order 617957M91
8	785601M1	1	Spring	(6) (D)
9	16862X	2	Rivet	(6) (D)
10	377238X1	2	Bush	(6)
11	785841M1	1	Cover	
12	354198X1	2	Screw Unc	
13	353753X1	2	Washer	
14	786585M92	1	Bracket	Up to Serial or Engine Number 3753
15		1	Bracket	(14) Not serviced, order 786585M92
16	785601M1	1	Spring	(14)
17	16862X	2	Rivet	(14)
18	785906M1	2	Screw	Up to Serial or Engine Number 3753
19	617959M91	1	Bracket	Up to Serial or Engine Number 3753
20		1	Bracket	(19) Not serviced, order 617959M91
21	785601M1	1	Spring	(19) (A)
22	16862X	2	Rivet	(19) (A)
23	1615577M91	1	Support	From Serial or Engine Number 3753
24	1615584M92	1	Support	From Serial or Engine Number 3753
25	353516X1	2	Screw Unf	From Serial or Engine Number 3753
26	353446X1	2	Lock Washer	From Serial or Engine Number 3753
27	353916X1	2	Nut Unf	From Serial or Engine Number 3753
28	354497X1	1	Bolt Unf	(A)
29	785857M1	1	Spacer	
30	353755X1	1	Washer	(A)
31	353446X1	1	Lock Washer	(A)
32	353916X1	1	Nut Unf	(A)
33	354497X1	1	Bolt Unf	(A)
34	353446X1	1	Lock Washer	(A)
35	353916X1	1	Nut Unf	(A)
36	353533X1	1	Bolt Unf	
37	785857M1	1	Spacer	
38	353446X1	1	Lock Washer	
39	353916X1	1	Nut Unf	
45	617955M92	1	Support	
46	353762X1	1	Washer	
47	785859M1	1	Support	
48	788017M1	1	Spring	
49	785871M1	1	Retainer	
50	353446X1	1	Lock Washer	
51	353916X1	1	Nut Unf	
52	785872M1	1	Cover	
53	785906M1	4	Screw	
54	789211M91	1	Pulley	
55		1	Pulley	(54) Not serviced, order 789 211 M91
56	785880M1	1	Bearing	(54)
57	785881M1	2	Washer	
58	22042X	1	Segment	
59	785873M91	1	Pulley	
60		1	Pulley	(59) Not serviced, order 785 873 M91
61	785805M1	1	Bearing	(59)
62	785875M1	2	Washer	

REEL LIFT ARMS AND PULLEY - PICK UP FROM SERIAL NO 1234

Item	Part Number	Qty	Description	Comments
63	352438X1	1	Circlip	
69	913738M91	1	Support	(A)
70	913568M1	1	Pulley	(A)
71	353511X1	1	Bolt Unf	(A)
72	363332X1	1	Washer	(A)
73	375233X1	1	Washer	(A)
74	353441X1	1	Lock Washer	(A)
75	353918X1	1	Nut Unf	(A)
76	1615182M1	1	Cable	(A)
77	353507X1	1	Bolt Unf	(A)
78	353754X1	3	Washer	(A)
79	353441X1	1	Lock Washer	(A)
80	353918X1	1	Nut Unf	(A)
81	1615183M1	1	Buckle	(A)
82	1615184M1	1	Bolt	(A)
83	789221M1	1	Spring	(A)
84	913674M3	1	Knotter Hook	(A)
90	789207M91	1	Pulley	
91	202981M1	1	Carrier	
92	353809X1	5	Bolt Unf	
93	353434X1	5	Lock Washer	
94	353431X1	5	Nut Unf	
95	GK 5034	2	Washer	
96	GT 163	1	Disc	
97	354801X1	5	Bolt	
98	789205M1	5	Spring	
99	789218M1	5	Cap	
100	353431X1	5	Nut Unf	
101	787393M1	1	Hub	
102	MP 1153	1	Key Door	
103	355202X1	1	Screw Unc	
104	375107X1	1	Nut Unc	
105	1615333M1	1	Belt	
111	784013M91	1	Support	
112	353515X1	6	Screw Unf	
113	353446X1	6	Lock Washer	
114	783963M1	1	Shield	Up to Serial or Engine Number 3753
114	1615582M91	1	Shield	From Serial or Engine Number 3753
115	785906M1	3	Screw	
116	913673M1	1	Support	
117	617956M1	1	Bracket	
118	786584M1	1	Support	
119	1615092M93	X	Kit, Repair	
120	1616046M91	X	Kit, Repair	

(A)  
INCLUDED IN KIT 1615092M93

(C)  
NO LONGER SERVICED ORDER 1616046M91

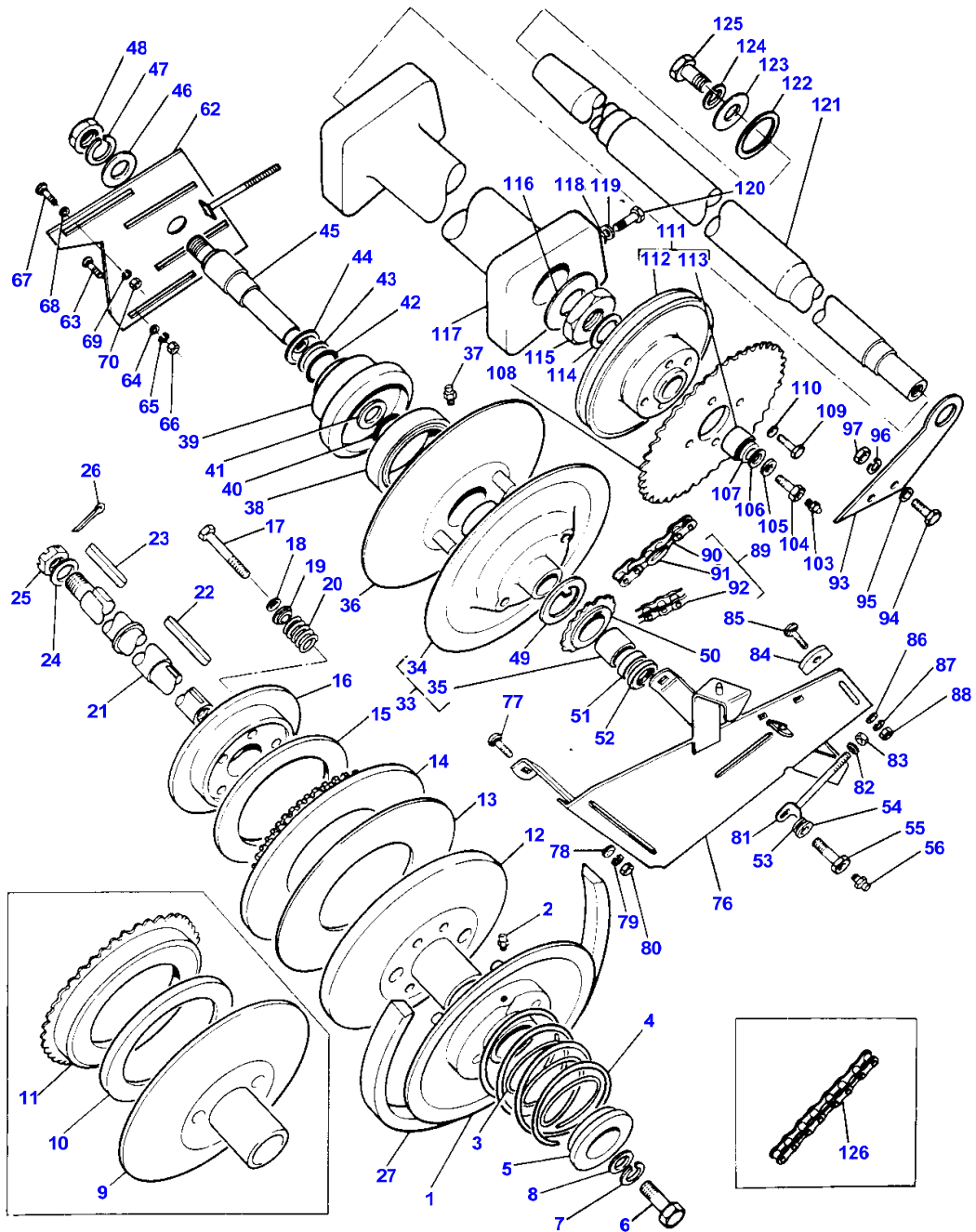
(D)  
INCLUDED IN KIT 1616046M91

142

AUGER AND REEL DRIVE  
 COMMAND DE VIS ET RABATTEUR  
 HASPEL UND FRONT SCHNECKEANTRIEB  
 COMMANDO TRIVELLA E ASPO  
 MANDO DEL SINFIN Y MOLINETE

21723001

3-2172-001-A



PRINTED IN U.K.

520 525

819611-H (1)



**AUGER AND REEL DRIVE**

Item	Part Number	Qty	Description	Comments
1	785894M94	1	Pulley	
2	200191M1	1	Nipple	
3	786241M1	1	Spring	
4	788705M1	1	Spring	
5	788706M2	1	Flange	
6	353614X1	1	Screw Unf	
7	353433X1	1	Lock Washer	
8	353760X1	1	Flat Washers	
9	785893M3	1	Pulley	Up to Serial or Engine Number 2025 Alternative 785890M1
10	790844M2	2	Washer	Up to Serial or Engine Number 2025
11	785890M1	1	Sprocket	Up to Serial or Engine Number 2025
	786147M1	1	Sprocket	Up to Serial or Engine Number 2025
12	1615131M1	1	Pulley	From Serial or Engine Number 2025
13	1615134M1	1	Washer	From Serial or Engine Number 2025
14	1615132M1	1	Sprocket	From Serial or Engine Number 2025
	1615133M1	1	Sprocket	From Serial or Engine Number 2025 Alternative 1615132M1
15	790844M2	1	Washer	
16	794504M91	1	Disc	
17	354266X1	5	Bolt Unc	
18	353771X1	5	Washer	Up to Serial or Engine Number 2205
	353756X1	5	Washer	From Serial or Engine Number 2205
19	790845M1	5	Guide	
20	215873M1	5	Spring	
21	783008M1	1	Shaft	
22	785668M1	1	Key Door	
23	MP 1397	1	Key Door	
24	353763X1	1	Washer	
25	353929X1	1	Nut Unf	
26	354071X1	1	Pin	
27	789853M1	1	Belt	
33	783852M91	1	Pulley	
34		1	Pulley Half	(33) Not serviced, order 783852M91
35	785907M1	2	Bush	(33)
36	785882M91	1	Pulley	
37	200191M1	1	Nipple	
38	785885M1	1	Bearing	
39	782630M2	1	Housing	
40	359300X1	1	O Ring	
41	195920M1	1	Washer	
42	785887M1	1	Seal	
43	361171X1	1	Washer	
44	785886M1	1	Seal	
45	783684M1	1	Shaft	
46	353763X1	1	Washer	
47	359407X1	1	Washer	
48	353920X1	1	Nut Unf	
49	789227M1	1	Washer	
50	789228M1	1	Sprocket	
51	783800M1	1	Bearing Assy	
52	783801M1	1	Washer	
53	783708M1	1	Washer	
54	353439X1	1	Lock Washer	
55	783707M1	1	Screw	
56	200191M1	1	Nipple	
62	785852M91	1	Plate	
63	353792X1	1	Bolt Unf	
64	353755X1	1	Washer	
65	353446X1	1	Lock Washer	
66	353916X1	1	Nut Unf	
67	353794X1	3	Bolt Unf	
68	353755X1	3	Washer	
69	353446X1	3	Lock Washer	
70	353916X1	3	Nut Unf	
76	783705M92	1	Support	
77	353793X1	2	Bolt Unf	
78	353755X1	2	Washer	
79	353446X1	2	Lock Washer	

AUGER AND REEL DRIVE

Item	Part Number	Qty	Description	Comments
80	353916X1	2	Nut Unf	
81	783700M91	1	Bracket	
82	787075M1	1	Washer	
83	375109X1	2	Nut Unc	
84	785844M1	1	Tightener	
85	353543X1	1	Bolt Unf	
86	353756X1	1	Washer	
87	22764X	1	Lock Washer	
88	783714M1	1	Nut	
89	785843M91	1	Chain	(A)
90	329257M91	46	Link	(89)
91	329260M91	X	Link	(89)
92	329266M91	1	Cranked Link	(89)
93	789118M1	1	Stay	
94	353792X1	2	Bolt Unf	
95	353755X1	2	Washer	
96	353446X1	2	Lock Washer	
97	353916X1	2	Nut Unf	
103	200191M1	1	Nipple	
104	791122M1	1	Bolt	
105	359405X1	1	Washer	
106	353760X1	1	Flat Washers	
107	789204M1	1	Spacer	
108	785902M1	1	Sprocket	
108	785901M1	1	Sprocket	Alternative 785902M1
108	787398M1	1	Sprocket	Alternative 785902M1
109	353691X1	4	Screw Unc	
110	353434X1	4	Lock Washer	
111	785737M92	1	Pulley	(C)
111	789197M91	1	Pulley	(D)
112		1	Pulley	(111) Not serviced, order 789 197 M91
113	785752M1	2	Bearing	(111)
114	785900M1	1	Washer	
115	785899M1	1	Nut	
116	785898M1	1	Washer	
117	785911M1	2	Bearing	
118	353446X1	12	Lock Washer	
119	353755X1	12	Washer	
120	353519X1	12	Screw Unf	
121	787884M92	1	Tube	10'
121	787885M92	1	Tube	12'
121	787886M92	1	Tube	14'
121	787887M92	1	Tube	16'
122	785897M1	-	Spacer	
123	787888M1	1	Washer	
124	353440X1	1	Lock Washer	
125	354751X1	1	Screw Unf	
126	786149M91	1	Chain	(B)

(A)  
FOR SERVICE BREAKDOWN REFER TO CHAINS SECTION

(B)  
FOR USE WITH 49 TEETH SPROCKET

(C)  
FOR USE ON BATT REELS ONLY

(D)  
FOR USE ON PICK UP REELS ONLY

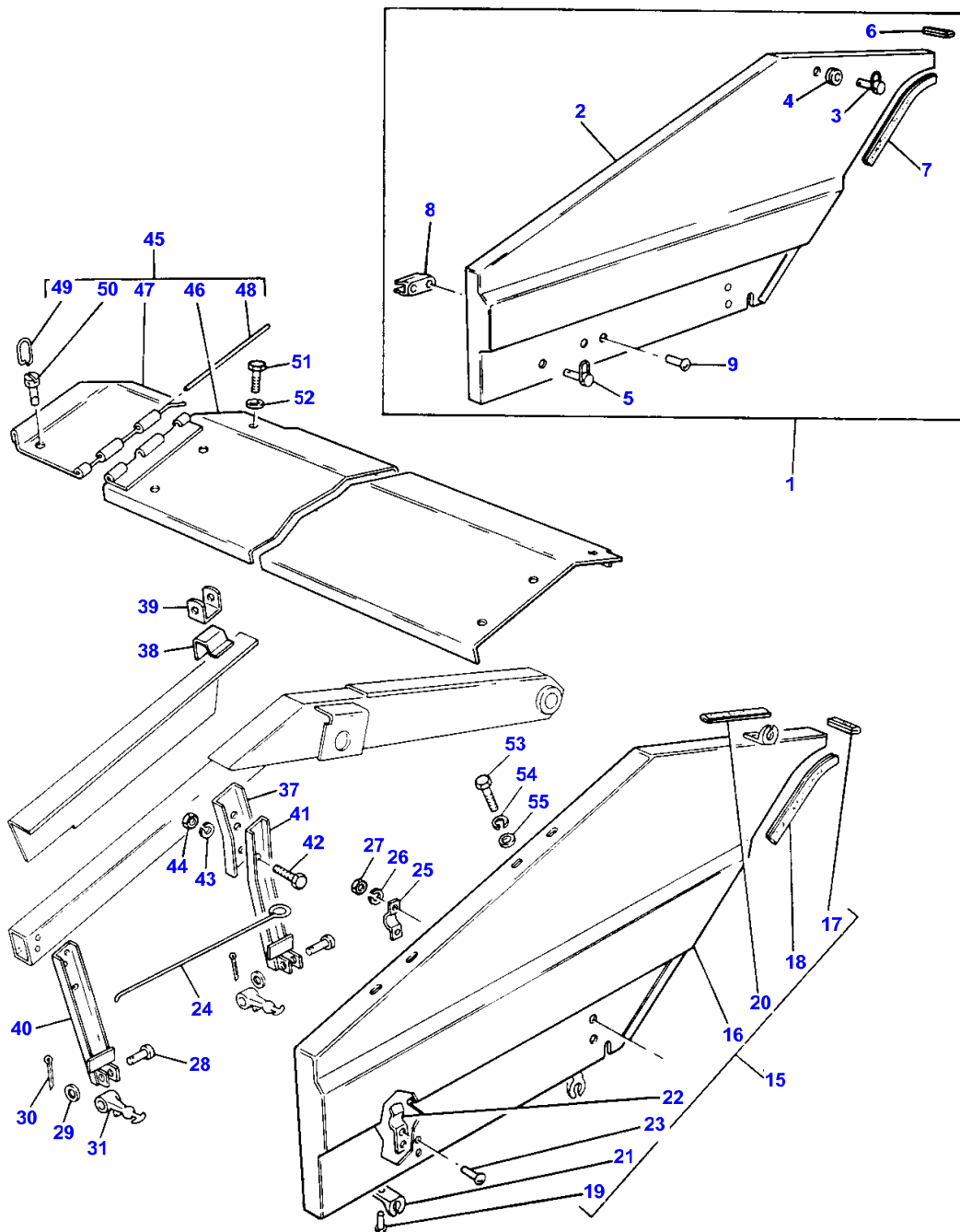
148

TABLE GUARDS  
 GARANTS DE TABLE  
 SCHUTZBLECH  
 DIFESE TAVOLA  
 DEFENSAS DE LA PLATAFORMA

REEL LIFT ARM  
 COMMANDE DU RABBATEUR  
 HASPELTRAGARME  
 LEVANTAMIENTO BRAZOS MOLINETE  
 BRAZOS DEL LEVANTE E MOLINETE

22273001

3-2227-001-A



PRINTED IN U.K.

520 525

819611-H (1)

TABLE GUARDS

Item	Part Number	Qty	Description	Comments
1	783954M91	1	Guard	(D)
	783954M92	1	Guard	(A)
				Up to Serial or Engine Number 3753
2		1	.	(1)
				Not serviced, order 783954M92
3	788916M1	2	Stud	(1)
4	828301M1	3	Grommet	(1)
5	788396M1	1	Stud	(1)
6	783955M1	1	Strip	(1)
7	788398M1	2	Strip	(1)
8	783869M1	1	Clip	(1)
				(E)
8	1855622M2	1	Clip	(1)
				(F)
9	391349X1	2	Rivet	(1)
				(E)
9	377380X1	2	Rivet	(1)
				(F)
15	1615574M91	1	Guard	(B)
				From Serial or Engine Number 3753
16		1	.	(15)
				Not serviced, order 1615574M91
17	783955M1	1	Strip	(15)
18	788398M1	2	Strip	(15)
19	330899X1	6	Rivet	(15)
20	783955M1	3	Strip	(15)
21	403659M1	3	Angle	(15)
22	1855622M2	1	Clip	(15)
23	377380X1	2	Rivet	(15)
24	783958M91	1	Support	
25	783960M1	1	Bracket	
26	353441X1	2	Lock Washer	
27	353918X1	2	Nut Unf	
28	403660M1	3	Pin	(B)
				From Serial or Engine Number 3753
29	390146X1	3	Washer Metric	(B)
				From Serial or Engine Number 3753
30	390147X1	3	Pin	
31	403657M1	3	Fastener	(B)
				From Serial or Engine Number 3753
37	1615579M1	1	Support	
38	1615583M1	1	Bridge Piece	
39	791194M1	1	Bracket	
40	1615577M91	1	Support	
41	1615584M92	1	Support	
42	353516X1	2	Screw Unf	
43	353446X1	2	Lock Washer	
44	353916X1	2	Nut Unf	
45	1616131M91	1	Guard	
	1616132M91	1	Guard	
	1616133M91	1	Guard	
46		1	Guard	(45)
				Not serviced, order 1616 133 M91
47	1616138M1	1	Guard	(45)
48	1616139M1	1	Rod	(45)
49	787900M1	1	Ring	(45)
50	786486M1	1	Stud	(45)
51	353501X1	6	Screw Unf	
52	353754X1	6	Washer	
53	353501X1	4	Screw Unf	
54	353441X1	4	Lock Washer	
55	353754X1	4	Washer	
	1616038M91	X	Kit	(C)
				(A)
				NO LONGER SERVICED ORDER 1616038M91
				(B)
				INCLUDED IN KIT 1616038M91

TABLE GUARDS

Item	Part Number	Qty	Description	Comments
				(C) CONTAINS ITEMS MARKED (B)
				(D) NO LONGER SERVICED ORDER 783954M92
				(E) FOR USE WITH 783954M91
				(F) FOR USE WITH 783954M92

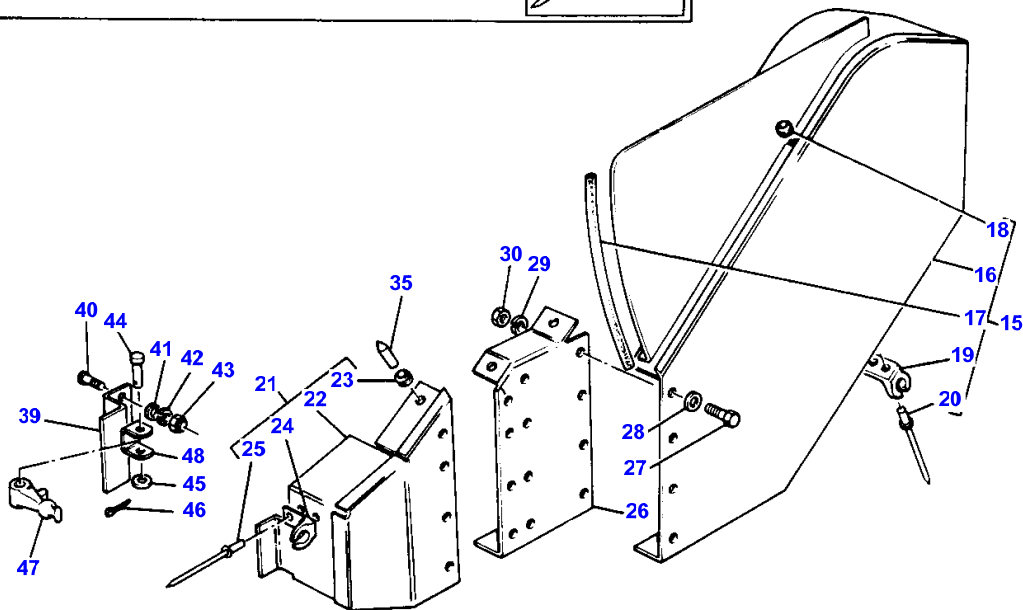
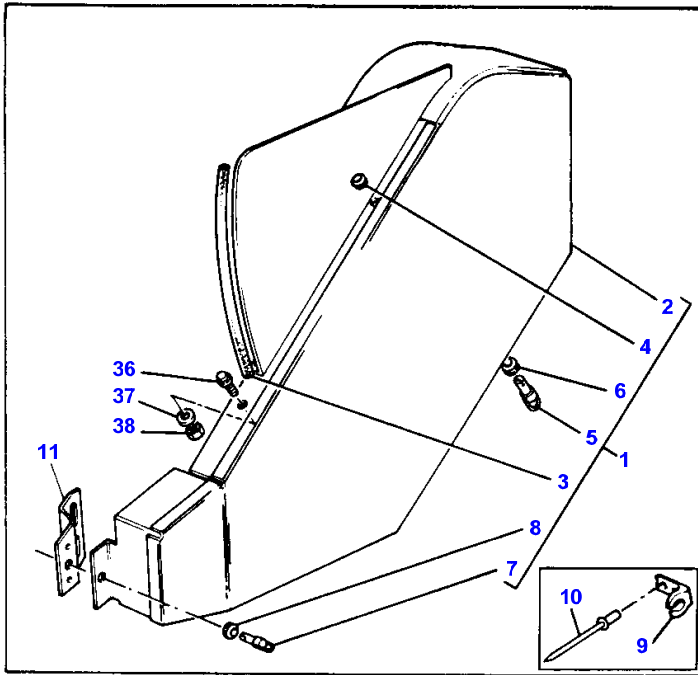
152

TABLE GUARDS  
 GARANT DE TABLE  
 SCHUTZBLECHE  
 DIFESE TAVOLA  
 DEFENSAS DE LA PLATAFORMA

DRIVE  
 ENTRAINEMENT  
 ANTRIEB  
 COMANDO  
 MANDO

22293001

3-2229-001-A



PRINTED IN U.K.

520 525

819611-H (1)

TABLE GUARDS-DRIVE

Item	Part Number	Qty	Description	Comments
1	788384M93	1	Guard	(E) Up to Serial or Engine Number 3753
1	1615525M91	1	Guard	(D) From Serial or Engine Number 3753 Up to Serial or Engine Number 4308
2		1	Guard	(1) (F)
3	786452M1	1	Strip	(1)
4	784157M1	2	Grommet	(1)
5	788877M1	2	Stud	(1) Up to Serial or Engine Number 3753
6	788392M1	1	Washer	(1) Up to Serial or Engine Number 3753
7	788877M1	1	Stud	(1) Up to Serial or Engine Number 3753
8	828301M1	1	Grommet	(1) Up to Serial or Engine Number 3753
9	403659M1	2	Angle	(1) From Serial or Engine Number 3753 Up to Serial or Engine Number 4308
10	330899X1	4	Rivet	(1) From Serial or Engine Number 3753 Up to Serial or Engine Number 4308
11	784191M93	1	Bracket	Up to Serial or Engine Number 3753
15	1616471M91		Guard	(B,C) From Serial or Engine Number 4308
16		1	Guard	(15) Not serviced, order 1616471M91
17	786452M1	1	Strip	(15)
18	784157M1	1	Grommet	(15)
19	403659M1	1	Angle	(15)
20	330899X1	2	Rivet	(15)
21	1616467M91	1	Guard	(B,C) From Serial or Engine Number 4308
22		1	Guard	(21) Not serviced, order 1616467M91
23	784157M1	1	Grommet	(21)
24	403659M1	1	Angle	(21)
25	330899X1	2	Rivet	(21)
26	1615929M1	1	Extension	(A,B,C) From Serial or Engine Number 4308
27	353501X1	12	Screw Unf	(B,C) From Serial or Engine Number 4308
28	353441X1	12	Lock Washer	(B,C) From Serial or Engine Number 4308
29	353754X1	12	Washer	(B,C) From Serial or Engine Number 4308
30	353918X1	12	Nut Unf	(B,C) From Serial or Engine Number 4308
35	785848M1	1	Pin	(B)
36	786489M1	1	Pin	Up to Serial or Engine Number 3753
37	353756X1	1	Washer	Up to Serial or Engine Number 3753
38	353431X1		Nut Unf	Up to Serial or Engine Number 3753
39	1615528M91	1	Bracket	(B,C) From Serial or Engine Number 4308
40	354241X1	2	Bolt Unf	
41	353754X1	2	Washer	
42	353441X1	2	Lock Washer	
43	353918X1	2	Nut Unf	
44	403660M1	2	Pin	(B,C) From Serial or Engine Number 4308
45	390146X1	2	Washer Metric	(B,C) From Serial or Engine Number 4308
46	390147X1	2	Pin	(B,C) From Serial or Engine Number 4308
47	403657M1	2	Fastener	(B,C) From Serial or Engine Number 4308
48	791194M1	1	Bracket	(B) (A)

TABLE GUARDS-DRIVE

Item	Part Number	Qty	Description	Comments
				LONG CUT TABLES ONLY
				(B) INCLUDED IN KIT 1616039M91
				(C) INCLUDED IN KIT 1616047M91
				(D) NO LONGER SERVICED USE 1616047M91
				(E) NO LONGER SERVICED USE 1616039M91
				(F) ORDER ASSEMBLY

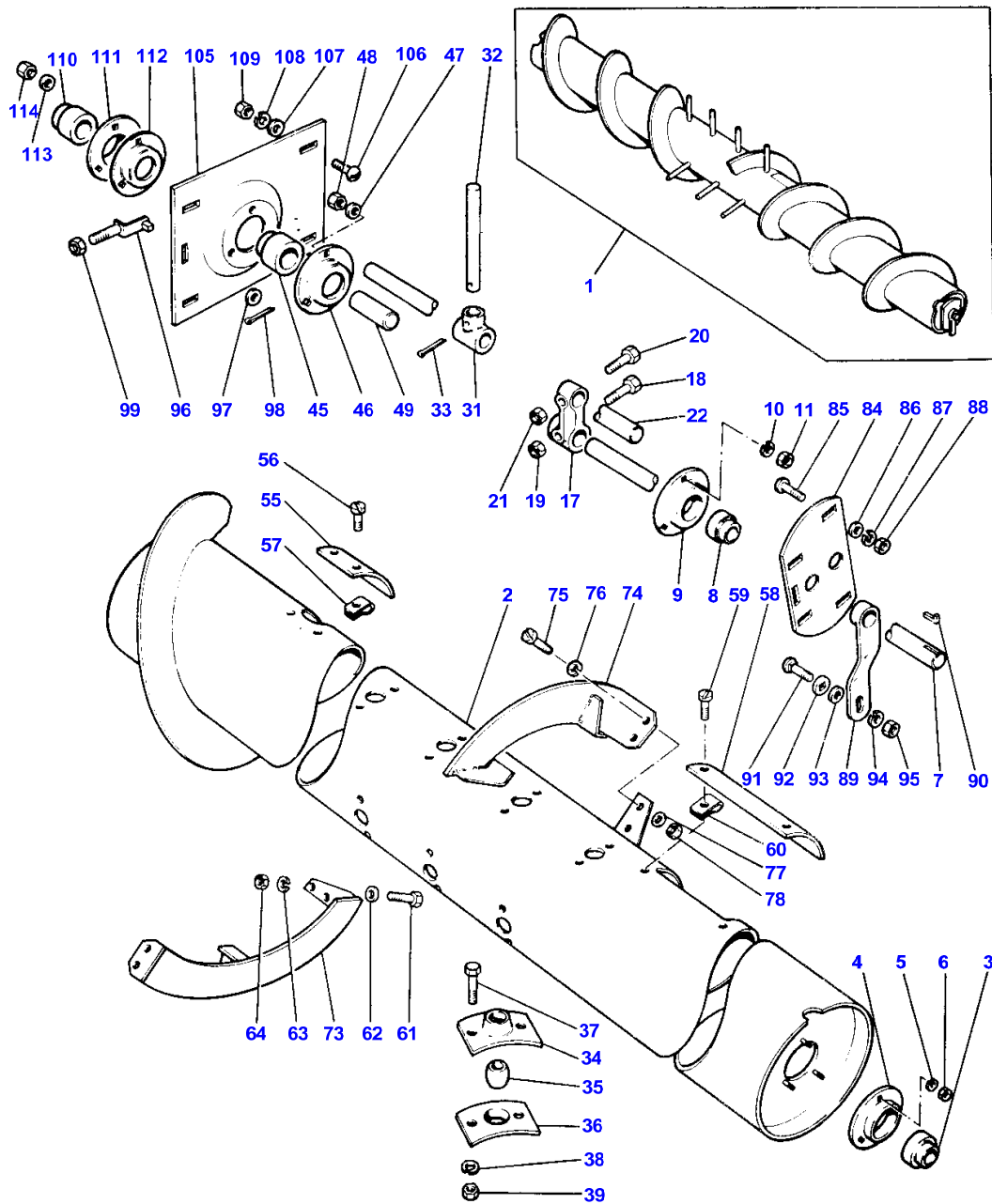


156

AUGER  
VIS  
FRONTSCHNECKE  
COCLEA  
SINFIN

21653002

3-2165-002-A



PRINTED IN U.K.

520 525

819611-H (1)

AUGER - TABLE

Item	Part Number	Qty	Description	Comments
				TABLE
1	914711M91	1	Auger	10'
	914712M91	1	Auger	12'
	1855398M91	1	Auger	(B)
	785937M92	1	Auger	14'
	1855399M91	1	Auger	(B)
	785938M92	1	Auger	16'
	1855400M91	1	Auger	(B)
2	913580M91	1	Auger	(1)
				10'
2	911989M91	1	Auger	(1)
				12'
2	1855377M91	1	Auger	(1)
				(B)
2	796618M92	1	Auger	(1)
				14'
2	1855378M91	1	Auger	(1)
				(B)
2	796600M92	1	Auger	(1)
				16'
2	1855379M91	1	Auger	(1)
				(B)
3	353134X1	1	Bearing Assy	(1)
4	22691X	2	Flange	(1)
5	353434X1	2	Lock Washer	(1)
6	355566X1	3	Nut Unc	(1)
7	796558M1	1	Shaft	(1)
				Right Hand 10'
7	796559M1	1	Shaft	(1)
				Right Hand 12'
7	796560M1	1	Shaft	(1)
				Right Hand 14'
7	796561M1	1	Shaft	(1)
				Right Hand 16'
8	353134X1	1	Bearing Assy	(1)
9	22691X	2	Flange	(1)
10	353434X1	3	Lock Washer	(1)
11	355566X1	3	Nut Unc	(1)
17	228026M1	2	Crank	(1)
18	353548X1	2	Bolt Unf	(1)
19	376448X1	2	Nut Unf	(1)
20	353527X1	2	Screw	(1)
21	376447X1	2	Nut Unf	(1)
22	796563M1	1	Shaft	(1)
31	796562M1	13	Holder	(1)
32	794790M1	13	Finger	(1)
33	363792X1	13	Pin	(1)
34	219440M3	13	Socket	(1)
35	785455M1	13	Ball	(1)
	238796M1	13	Ball	(1)
				(B)
36	219439M4	13	Socket	(1)
37	353502X1	26	Screw Unf	(1)
38	353441X1	26	Lock Washer	(1)
39	353918X1	26	Nut Unf	(1)
45	353134X1	1	Bearing Assy	(1)
46	22691X	2	Flange	(1)
47	353434X1	3	Lock Washer	(1)
48	355566X1	3	Nut Unc	(1)
49	228025M1	1	Shaft	(1)
55	792462M1	1	Cover	(1)
56	355862X1	4	Screw	(1)

AUGER - TABLE

Item	Part Number	Qty	Description	Comments
57	355861X1	4	Nut	(1)
58	796604M1	4	Cover	(1)
59	355862X1	16	Screw	(1)
60	355861X1	16	Nut	(1)
61	353516X1	8	Screw Unf	(1)
				(A)
62	353446X1	8	Lock Washer	(1)
				(A)
63	353755X1	8	Washer	(1)
				(A)
64	353916X1	8	Nut Unf	(1)
				(A)
73	796611M91	1	Extension	(1)
				Left Hand
74	796609M91	1	Extension	(1)
				Right Hand
74	617874M92	1	Extension	(1)
				Right Hand 16'
75	353516X1	8	Screw Unf	(1)
76	353446X1	8	Lock Washer	(1)
77	353755X1	8	Washer	(1)
78	353916X1	8	Nut Unf	(1)
84	785945M1	1	Plate	(1)
85	353792X1	4	Bolt Unf	(1)
86	376818X1	4	Washer	(1)
87	353446X1	4	Lock Washer	(1)
88	353916X1	4	Nut Unf	(1)
89	1616198M91	1	Arm	(1)
90	MP 1101	1	Key Door	(1)
91	353827X1	1	Bolt Unf	(1)
92	19691X	2	Washer	(1)
93	353757X1	1	Washer	(1)
94	353432X1	1	Lock Washer	(1)
95	353426X1	1	Nut Unf	(1)
96	791220M91	2	Bolt	(1)
97	10986X	2	Washer	(1)
98	354057X1	2	Pin	(1)
99	353916X1	4	Nut Unf	(1)
105	785943M91	1	Plate	(1)
				Left Hand
106	353792X1	4	Bolt Unf	(1)
107	376818X1	4	Washer	(1)
108	353446X1	4	Lock Washer	(1)
109	353916X1	4	Nut Unf	(1)
110	783051M1	1	Bearing	(1)
111	541388M2	1	Flange	(1)
112	794616M1	1	Flange	(1)
113	353434X1	3	Lock Washer	(1)
114	355566X1	3	Nut Unc	(1)

(A)

REQUIRED FOR BLANKING OFF PURPOSES WHEN FLIGHT EXT ENSIONS ARE NOT FITTED

(B)

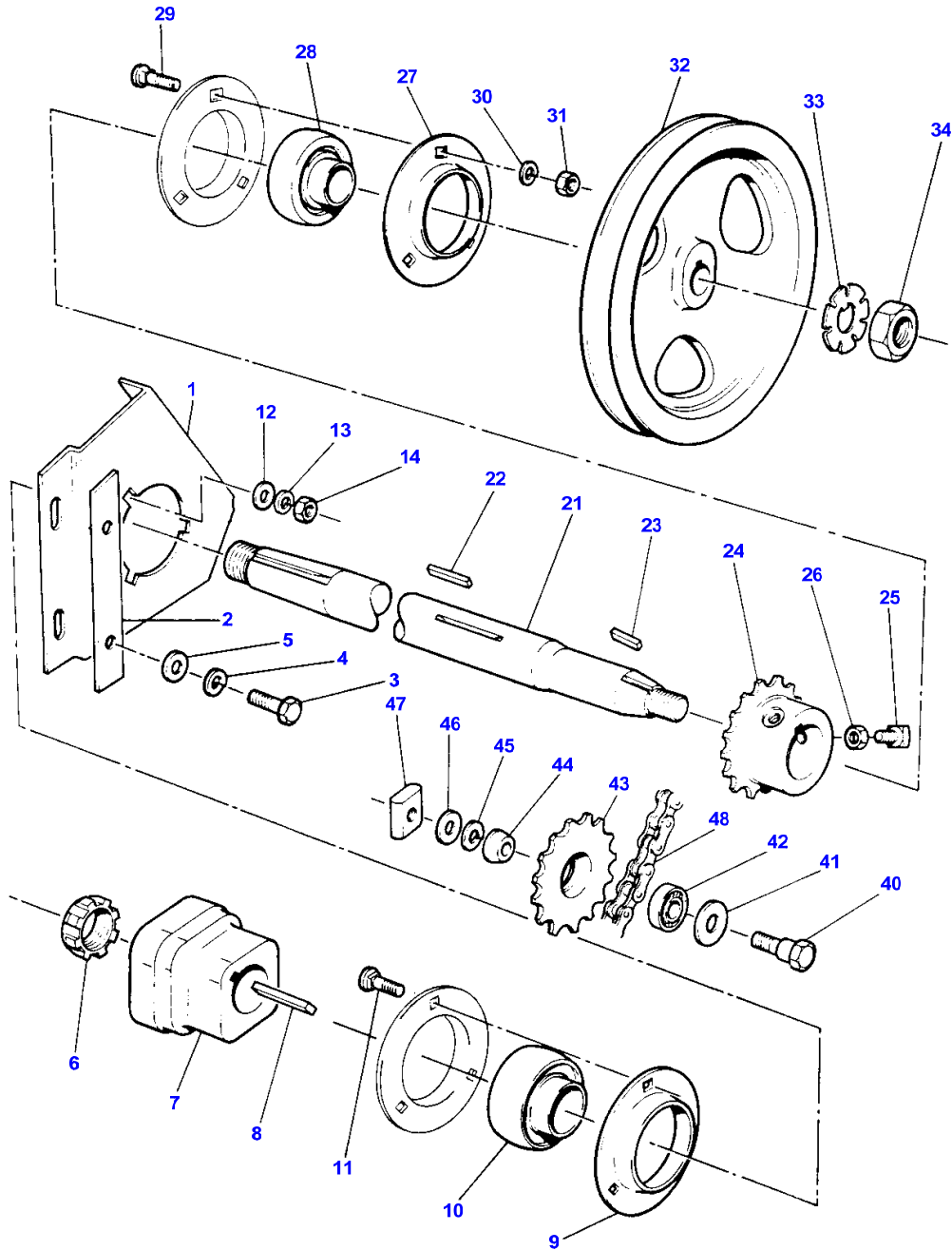
RICE COMBINES ONLY

162

AUGER DRIVE  
 COMMANDE DE VIS  
 FRONTSCHNECKENANTRIEB  
 TRASMISSIONE COCLEA  
 MANDO SINFIN

21703001

3-2170-001-A



PRINTED IN U.K.

520 525

819611-H (1)

AUGER DRIVE

Item	Part Number	Qty	Description	Comments
1	785614M92	1	Bracket	
2	787922M1	1	Plate	
3	353538X1	2	Screw Unf	
4	353434X1	2	Lock Washer	
5	353756X1	2	Washer	
6	249677M1	1	Nut	
7	249674M1	1	Hub	
8	49378X	1	Key	
9	541388M2	2	Flange	
10	791386M1	1	Bearing	
11	353807X1	3	Screw Unf	
12	353756X1	3	Washer	
13	353434X1	3	Lock Washer	
14	353431X1	3	Nut Unf	
21	789316M1	1	Shaft	10'
	789317M1	1	Shaft	12'
	789318M1	1	Shaft	14' 16'
22	353029X1	1	Key	
23	49378X	1	Key	
24	785616M1	1	Sprocket	
25	355208X1	2	Screw Unc	
26	375110X1	2	Nut Unc	
27	22691X	2	Flange	
28	831929M1	1	Bearing Assy	
29	353807X1	3	Screw Unf	
30	353434X1	3	Lock Washer	
31	353431X1	3	Nut Unf	
32	785618M1	1	Pulley	
33	228660M1	1	Washer	
34	353920X1	1	Nut Unf	
40	791133M1	1	Stud	
41	355602X1	2	Circlip	
42	175047M1	1	Bearing	
43	226634M1	1	Sprocket	
44	228571M1	1	Spacer	
45	353432X1	1	Lock Washer	
46	353757X1	1	Washer	
47	226797M1	1	Nut	
48	785617M91	1	Chain	(A)

(A)

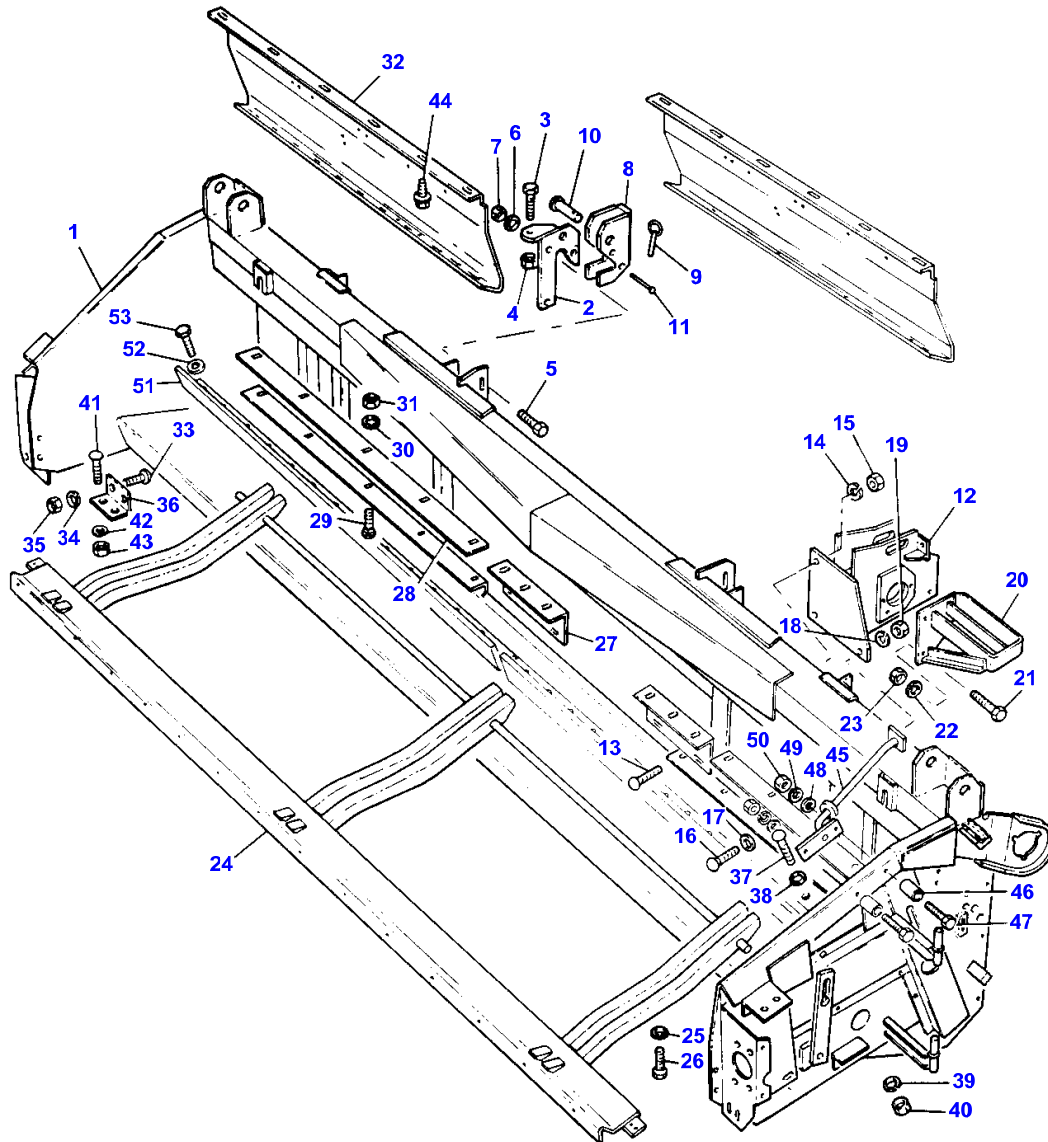
FOR SERVICE BREAKDOWN REFER TO CHAINS SECTION

164

TABLE  
 TABLE  
 TISCH  
 TAVOLA  
 PLATAFORMA DE CORTE

20503005

3-2050-005-B



PRINTED IN U.K.

520 525

819611-H (1)

TABLE - UNIVERSAL TABLE

Item	Part Number	Qty	Description	Comments
UNIVERSAL TABLE				
1	3034130M98	1	Table	12'
	3035309M91	1	Table	14'
	3035274M91	1	Table	16'
	3035273M91	1	Table	18'
	3034131M98	1	Table	10'
2	282372M92	1	Hanger	
3	370227X1	1	Screw Unc	
4	375112X1	1	Nut Unc	
5	363423X1	2	Bolt	
6	353433X1	2	Lock Washer	
7	375099X1	2	Nut Unc	
8	267019M91	2	Latch	
9	354066X1	2	Pin	
10	367066X1	2	Pin	
11	267018M1	2	Clevis Pin	
12	282513M95	1	Bracket	Not serviced, order 282 513 M96, 3370 125 M1
12	282513M96	1	Support	(A)
13	364964X1	2	Bolt Unc	
14	353434X1	2	Lock Washer	
15	355566X1	2	Nut Unc	
16	363905X1	1	Bolt Unc	
17	353280X1	1	Washer	
18	353434X1	1	Lock Washer	
19	355566X1	1	Nut Unc	
20	282531M92	1	Step	
21	353691X1	2	Screw Unc	
22	353434X1	2	Lock Washer	
23	355566X1	2	Nut Unc	
24	3034137M93	1	Bracket	18'
	3034138M93	1	Bracket	16'
	3034139M93	1	Bracket	14'
	3034140M93	1	Bracket	12'
	3034141M93	1	Bracket	10'
25	338998X1	X	Washer	
26	353693X1	X	Screw Unc	
27	3034143M1	2	Strap	16'
	3034144M1	2	Strap	14', 16'
28	3034135M1	2	Strap	12'
	3034134M1	2	Strap	14'
	3034133M1	2	Strap	16'
	3034132M1	2	Strap	18'
	3034136M1	2	Strap	10'
29	364352X1	X	Bolt Unc	
30	353446X1	X	Lock Washer	
31	355565X1	X	Nut Unc	
32	282370M1	2	Deflector	12'
	282367M2	2	Deflector	14'
	282366M2	2	Deflector	16'
	282365M2	2	Deflector	18'
	282371M1	2	Windscreen	10'
33	353693X1	X	Screw Unc	
34	338998X1	X	Washer	
35	355566X1	X	Nut Unc	
36	3034142M1	4	Spacer	16', 18'
	3034142M1	3	Spacer	12', 14'
	3034142M1	2	Spacer	10'
37	360500X1	14	Bolt Unc	
38	355802X1	14	Washer	
39	353446X1	14	Lock Washer	
40	355565X1	14	Nut Unc	
41	364964X1	X	Bolt Unc	
42	338992X1	X	Washer	
43	355566X1	X	Nut Unc	
44	365053X1	X	Self Tap Screws	
45	3034911M91	1	Bracket	Left Hand
	3034912M91	1	Bracket	Right Hand
46	60089M1	2	Spacer	

TABLE - UNIVERSAL TABLE

Item	Part Number	Qty	Description	Comments
47	353710X1	2	Bolt Unc	
48	353772X1	4	Washer	
49	353432X1	2	Lock Washer	
50	355645X1	2	Nut Unc	
50	3034912M91	1	Bracket	Right Hand
51	3034858M1	2	Scraper	10'
51	3034857M1	2	Scraper	12'
51	3034856M1	2	Scraper	14'
51	3034855M1	2	Scraper	16'
51	3034854M1	2	Scraper	18'
52	353689X1	X	Screw Unc	
53	366843X1	X	Washer	

(A)  
USE WITH 3370 125 M1

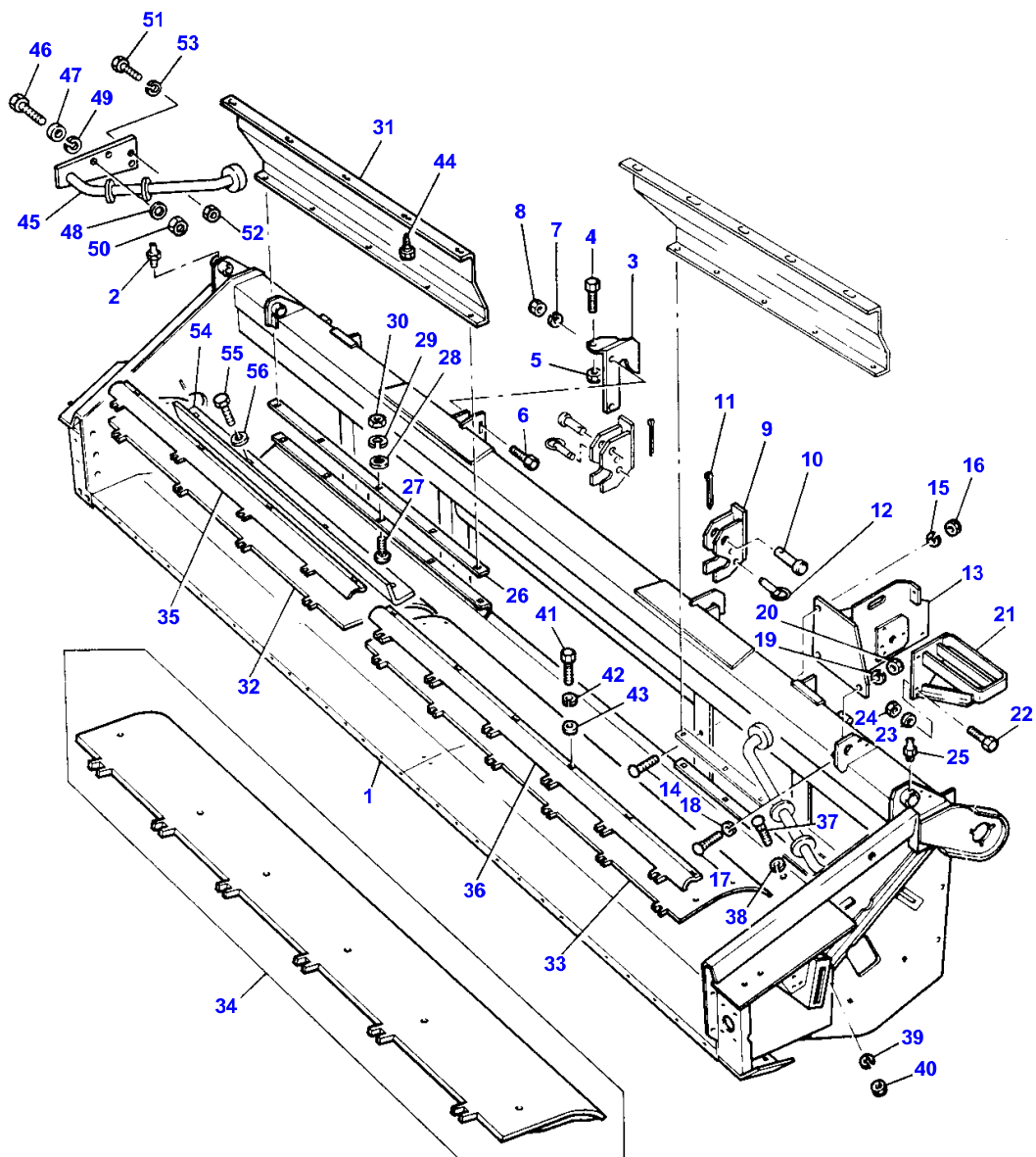


168

TABLE  
 TABLE  
 TISCH  
 TAVOLA  
 PLATAFORMA DE CORTE

20503008

3-2050-006-B



PRINTED IN U.K.

520 525

819611-H (1)

TABLE - NEW PROFILE TABLE

Item	Part Number	Qty	Description	Comments
NEW PROFILE TABLE				
1	3035264M92	1	Table	10'
	3035263M92	1	Table	12'
	3035262M92	1	Table	14'
	3035313M91	1	Table	16'
	3035312M91	1	Table	18'
	3035311M91	1	Table	20'
2	13811X	1	Grease Nipple	
3	282372M92	1	Hanger	
4	370227X1	1	Screw Unc	
5	375112X1	1	Nut Unc	
6	363423X1	2	Bolt	
7	353433X1	2	Lock Washer	
8	375099X1	2	Nut Unc	
9	267019M91	2	Latch	
10	367066X1	2	Pin	
11	354066X1	2	Pin	
12	267018M1	2	Clevis Pin	
13	282513M95	1	Bracket	Not serviced, order 282 513 M96, 3370 125 M1
13	282513M96	1	Support	(A)
14	364964X1	2	Bolt Unc	
15	353434X1	2	Lock Washer	
16	355566X1	2	Nut Unc	
17	363905X1	1	Bolt Unc	
18	353280X1	1	Washer	
19	353434X1	1	Lock Washer	
20	355566X1	1	Nut Unc	
21	282531M92	1	Step	
22	353691X1	2	Screw Unc	
23	353434X1	2	Lock Washer	
24	355566X1	2	Nut Unc	
25	13811X	1	Grease Nipple	
26	282388M1	2	Strap	10'
	282387M1	2	Strap	12'
	282384M1	2	Strap	14'
	282383M1	2	Strap	16'
	282382M1	2	Strap	18'
	282380M1	2	Strap	20'
27	364352X1	X	Bolt Unc	
28	353755X1	X	Washer	
29	353446X1	X	Lock Washer	
30	355565X1	X	Nut Unc	
31	282371M1	2	Windscreen	10'
	282370M1	2	Deflector	12'
	282367M2	2	Deflector	14'
	282366M2	2	Deflector	16'
	282365M2	2	Deflector	18'
	282363M1	2	Windscreen	20'
32	281818M91	1	Guide	Right Hand 12'
	281816M91	1	Guide	Right Hand 14'
	281814M91	1	Guide	Right Hand 16'
	281813M91	1	Guide	Right Hand 18'
	281812M91	1	Guide	Right Hand 20'
33	281811M91	1	Guide	Left Hand 12'T020'
34	281808M91	1	Guide	10'
35	281833M1	1	Deflector	Right Hand 12'
	281830M1	1	Deflector	Right Hand 14'
	281829M1	1	Deflector	Right Hand 16'
	281828M1	1	Deflector	Right Hand 18'
	281827M1	1	Deflector	Right Hand 20'
36	281826M1	1	Deflector	Left Hand
37	360500X1	12	Bolt Unc	
38	355802X1	12	Washer	
39	353446X1	11	Lock Washer	
40	355565X1	11	Nut Unc	
41	353676X1	X	Screw Unc	
42	353446X1	X	Lock Washer	
43	353755X1	X	Washer	

**TABLE - NEW PROFILE TABLE**

<b>Item</b>	<b>Part Number</b>	<b>Qty</b>	<b>Description</b>	<b>Comments</b>
44	365053X1	X	Self Tap Screws	
45	3034939M91	1	Bracket	Left Hand
45	3034940M91	1	Bracket	Right Hand
46	353110X1	4	Bolt	
47	60089M1	4	Spacer	
48	353757X1	4	Washer	
49	353432X1	4	Lock Washer	
50	353645X1	4	Bolt Unf	
51	353681X1	4	Bolt Unc	
52	355565X1	4	Nut Unc	
53	353446X1	4	Lock Washer	
54	3035091M1	2	Scraper	10'
54	3035092M1	2	Scraper	12'
54	3035093M1	2	Scraper	14'
54	3035094M1	2	Scraper	16'
54	3035095M1	2	Scraper	18'
54	3035096M1	2	Scraper	20'
55	353690X1	X	Screw Unc	
56	338996X1	X	Washer	

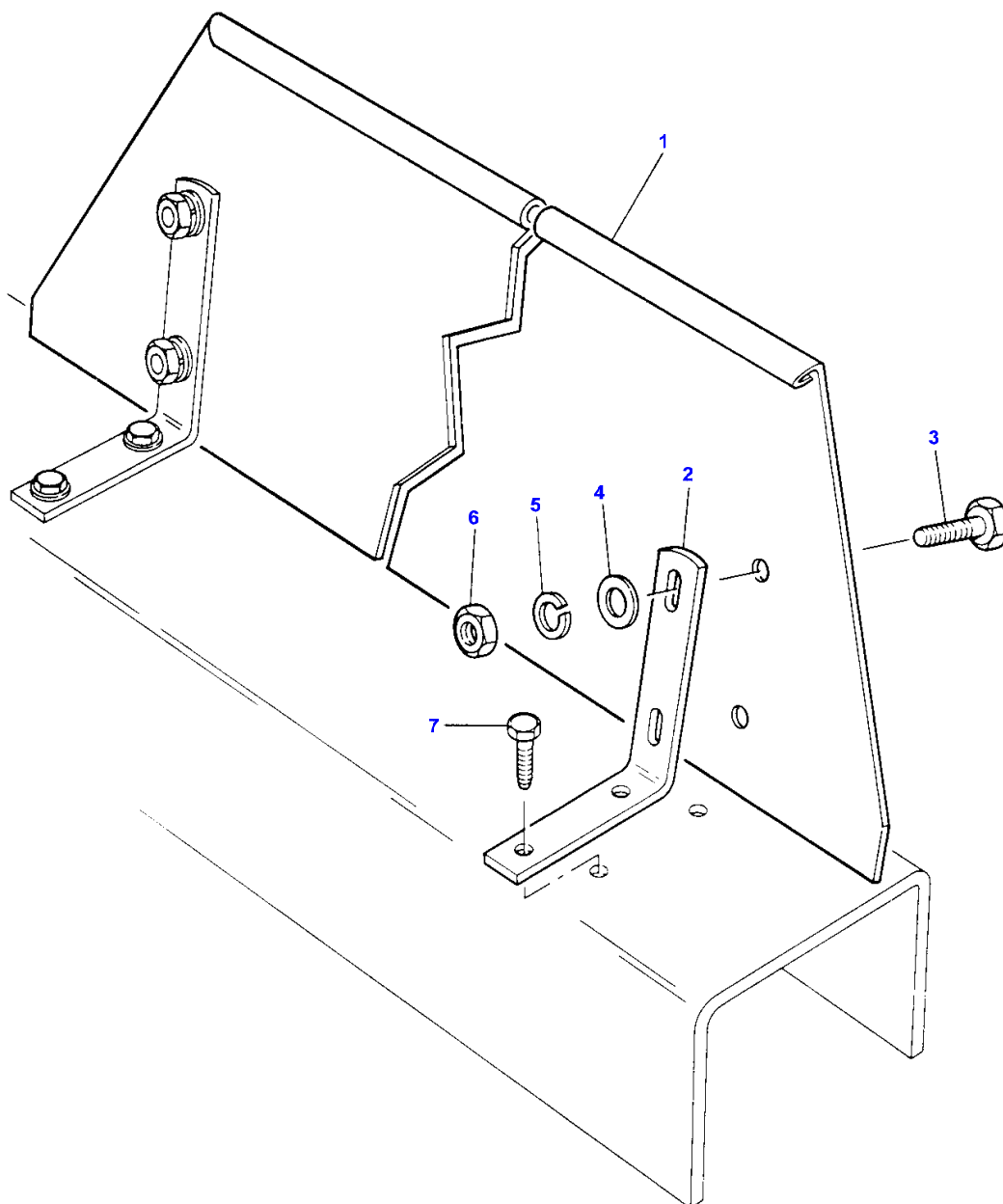
(A)  
USE WITH 3370 125 M1

172

TABLE  
TABLE  
TISCH  
TAVOLA  
PLATAFORMA DE CORTE

20503007

3-2050-007-A



PRINTED IN U.K.

520 525

819611-H (1)

TABLE - RAPE SHIELD

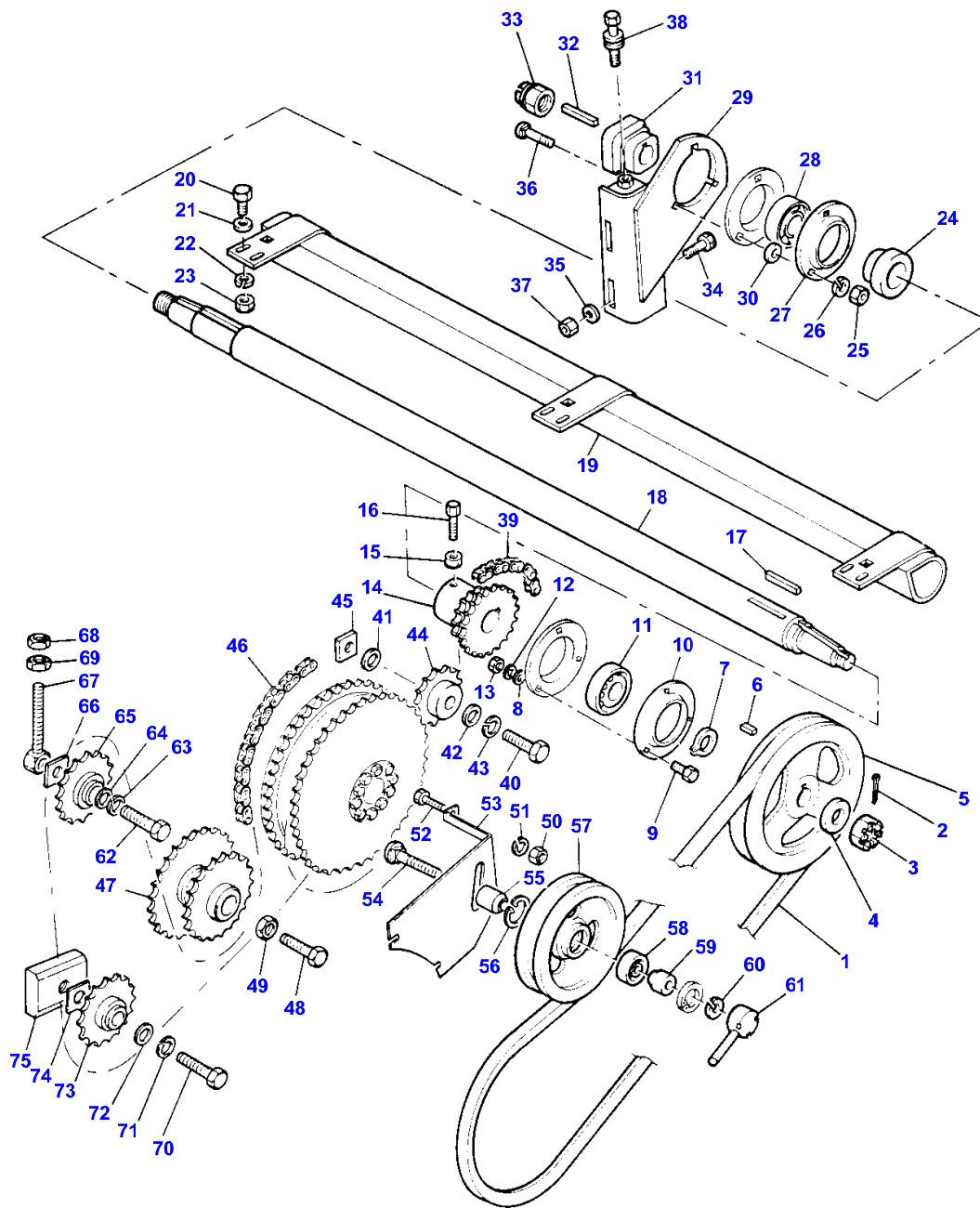
Item	Part Number	Qty	Description	Comments
				RAPE SHIELD
1	3034973M1	2	Shield	14'
	3034974M1	2	Shield	16'
	3034975M1	2	Shield	18'
2	3034971M1	6	Strap	14' 16'
	3034971M1	8	Strap	18'
3	353690X1	12	Screw Unc	14'16'
	353690X1	16	Screw Unc	18'
4	353756X1	12	Washer	14'16'
	353756X1	16	Washer	18'
5	353434X1	12	Lock Washer	14'16'
	353434X1	16	Lock Washer	18'
6	355566X1	12	Nut Unc	14'16'
	355566X1	16	Nut Unc	18'
7	365573X1	12	Screw	14'16'
	365573X1	16	Screw	18'

174

TABLE DRIVE  
 COMMANDES DE TABLE  
 TISCHANTRIEB  
 TAVOLA TRASMISSIONE  
 MANDOS DE PLATAFORMA

20523001

3-2052-001-A



PRINTED IN U.K.

520 525

819611-H (1)

TABLE DRIVE - UNIVERSAL TABLES

Item	Part Number	Qty	Description	Comments
UNIVERSAL TABLES				
1	3034474M1	1	Belt	
2	354083X1	1	Pin	
3	357533X1	1	Nut Unf	
4	353764X1	1	Washer	
5	3034451M1	1	Pulley	
6	49378X	1	Key	
7	352699X1	1	Ring	
8	353756X1	3	Washer	
9	364964X1	3	Bolt Unc	
10	541388M2	2	Flange	
11	831822M1	1	Bearing	
12	353434X1	3	Lock Washer	
13	355566X1	3	Nut Unc	
14	3034452M91	1	Sprocket	
15	375109X1	1	Nut Unc	
16	354136X1	1	Screw	
17	375468X1	1	Key	
18	281180M2	1	Shaft	12'TABLE
	281183M2	1	Shaft	14'TABLE
	281185M2	1	Shaft	16'TABLE
	281186M2	1	Shaft	18'TABLE
	281181M2	1	Shaft	10'TABLE
19	3034696M1	1	Tube	12'
	3034697M91	1	Tube	14'TABLE
	3034698M91	1	Tube	16'TABLE
	3034699M91	1	Tube	18'TABLE
	3034695M91	1	Tube	10'TABLE
20	353677X1	X	Screw Unc	
21	353755X1	X	Washer	
22	353446X1	X	Lock Washer	
23	355565X1	X	Nut Unc	
24	833351M1	1	Bearing	
25	355566X1	3	Nut Unc	
26	353434X1	3	Lock Washer	
27	541388M2	3	Flange	
28	831822M1	1	Bearing	
29	264998M91	1	Bracket	
30	353756X1	3	Washer	
31	249674M1	1	Hub	
32	49378X	1	Key	
33	249677M1	1	Nut	
34	364224X1	2	Bolt Unc	
35	376705X1	2	Washer	
36	364964X1	3	Bolt Unc	
37	375098X1	2	Nut Unc	
38	267000M91	1	Bolt	
39	3034461M2	1	Chain	
40	354285X1	1	Bolt Unc	
41	330113X1	2	Washer	
42	353760X1	1	Flat Washers	
43	353433X1	1	Lock Washer	
44	3034460M1	1	Idler	
45	3034459M1	1	Nut	
46	3034473M1	1	Chain	
47	3034463M91	1	Pinion	
48	353750X1	2	Screw Unc	
49	375109X1	2	Nut Unc	
50	363622X1	1	Nut	
51	376475X1	1	Washer	
52	360515X1	1	Bolt Unc	
53	3034470M91	1	Bracket	
54	364987X1	1	Bolt Unc	(A)
	363376X1	1	Bolt	(B)
55	3034469M1	1	Spacer	
56	353231X1	2	Circlip	
57	242452M1	1	Pulley	
58	833735M1	1	Bearing	
59	272254M1	1	Spacer	

TABLE DRIVE - UNIVERSAL TABLES

Item	Part Number	Qty	Description	Comments
60	353433X1	1	Lock Washer	
61	3034571M91	1	Nut	(A)
61	375099X1	1	Nut Unc	(B)
62	354285X1	1	Bolt Unc	
63	353760X1	1	Flat Washers	
64	353433X1	1	Lock Washer	
65	3034460M1	1	Idler	
66	361107X1	1	Washer	
67	3034462M91	1	Nut	
68	375109X1	2	Nut Unc	
69	353756X1	1	Washer	
70	354285X1	1	Bolt Unc	
71	353760X1	1	Flat Washers	
72	353433X1	1	Lock Washer	
73	3034460M1	1	Idler	
74	361107X1	1	Washer	
75	3034458M1	1	Nut	

(A)  
UP TO TABLE NO 524

(B)  
FROM TABLE NO 524

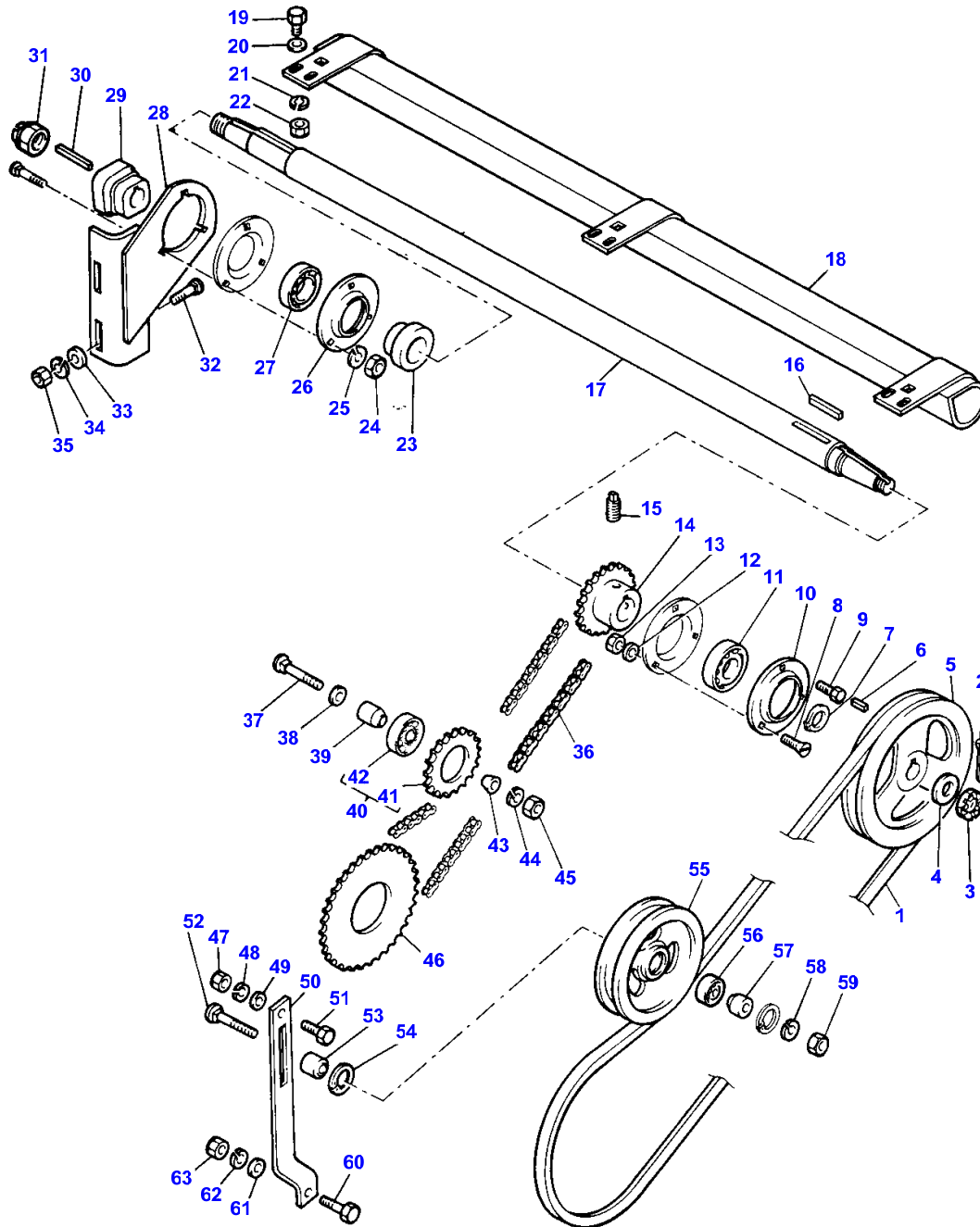


178

TABLE DRIVE  
 COMMANDES DE TABLE  
 TISCHANTRIEB  
 TAVOLA TRASMISSIONE  
 MANDOS DE PLATAFORMA

20523002

3-2052-002-B



PRINTED IN U.K.

520 525

819611-H (1)

TABLE DRIVE - NEW PROFILE TABLES

Item	Part Number	Qty	Description	Comments
NEW PROFILE TABLES				
1	843041M1	1	Belt	
2	354083X1	1	Pin	
3	357533X1	1	Nut Unf	
4	353764X1	1	Washer	
5	283679M1	1	Pulley	
6	49378X	1	Key	
7	352699X1	1	Ring	
8	353905X1	1	Screw Unc	
9	364964X1	2	Bolt Unc	
10	541388M2	2	Flange	
11	831822M1	1	Bearing	
12	353434X1	3	Lock Washer	
13	355566X1	3	Nut Unc	
14	283681M91	1	Sprocket	(A) 10'12'14'16'
14	283680M91	1	Sprocket	(B) 18'20'
15	355291X1	1	Screw Unc	
16	352958X1	1	Key Parallel	
17	281181M2	1	Shaft	10'
	281180M2	1	Shaft	12'
	281183M2	1	Shaft	14'
	281185M2	1	Shaft	16'
	281183M2	1	Shaft	18'
	281186M2	1	Shaft	20'
18	282917M91	1	Tube	10'
	282918M91	1	Tube	12'
	282920M91	1	Tube	14'
	282922M91	1	Tube	16'
	282923M91	1	Tube	18'
	282925M91	1	Tube	20'
19	353677X1	X	Screw Unc	
20	353755X1	X	Washer	
21	353446X1	X	Lock Washer	
22	355565X1	X	Nut Unc	
23	833351M1	1	Bearing	
24	355566X1	3	Nut Unc	
25	353434X1	3	Lock Washer	
26	541388M2	2	Flange	
27	831822M1	1	Bearing	
28	264998M91	1	Bracket	
29	249674M1	1	Hub	
30	49378X	1	Key	
31	249677M1	1	Nut	
32	364224X1	2	Bolt Unc	
33	353758X1	2	Washer	
34	353439X1	2	Lock Washer	
35	375098X1	2	Nut Unc	
36	281194M91	1	Chain	(C)
	281178M91	1	Chain	(D)
37	363771X1	1	Bolt Unc	
38	831779M1	1	Washer	10'12'14'16'
39	281198M1	1	Spacer	
40	254007M91	1	Sprocket	(A) 10'12'14'16'
40	247278M91	1	Sprocket	(B) 18'20'
41		1	Sprocket	(40) Not serviced, order REF. 40
42	833735M1	1	Bearing	(40)
43	272254M1	1	Spacer	
44	353433X1	1	Lock Washer	
45	375099X1	1	Nut Unc	
46	370261X1	1	Sprocket	(A) 10'12'14'16'
46	370260X1	1	Sprocket	(B) 18'20'
47	375098X1	1	Nut Unc	

TABLE DRIVE - NEW PROFILE TABLES

Item	Part Number	Qty	Description	Comments
48	353439X1	1	Lock Washer	
49	353758X1	1	Washer	
50	281179M1	1	Bracket	
51	354276X1	1	Screw Unc	
52	363464X1	1	Bolt Unc	
53	281193M1	1	Spacer	(C)
53	3035084M1	1	Spacer	(D)
54	353231X1	2	Circlip	
55	242452M1	1	Pulley	
56	833735M1	1	Bearing	
57	272254M1	1	Spacer	
58	353433X1	1	Lock Washer	
59	375099X1	1	Nut Unc	
60	364224X1	1	Bolt Unc	
61	353758X1	1	Washer	
62	353439X1	1	Lock Washer	
63	375098X1	1	Nut Unc	

(A)  
USE WITH 5/8" PITCH CHAIN

(B)  
USE 3/4" PITCH CHAIN

(C)  
UP TO TABLE NO 2533

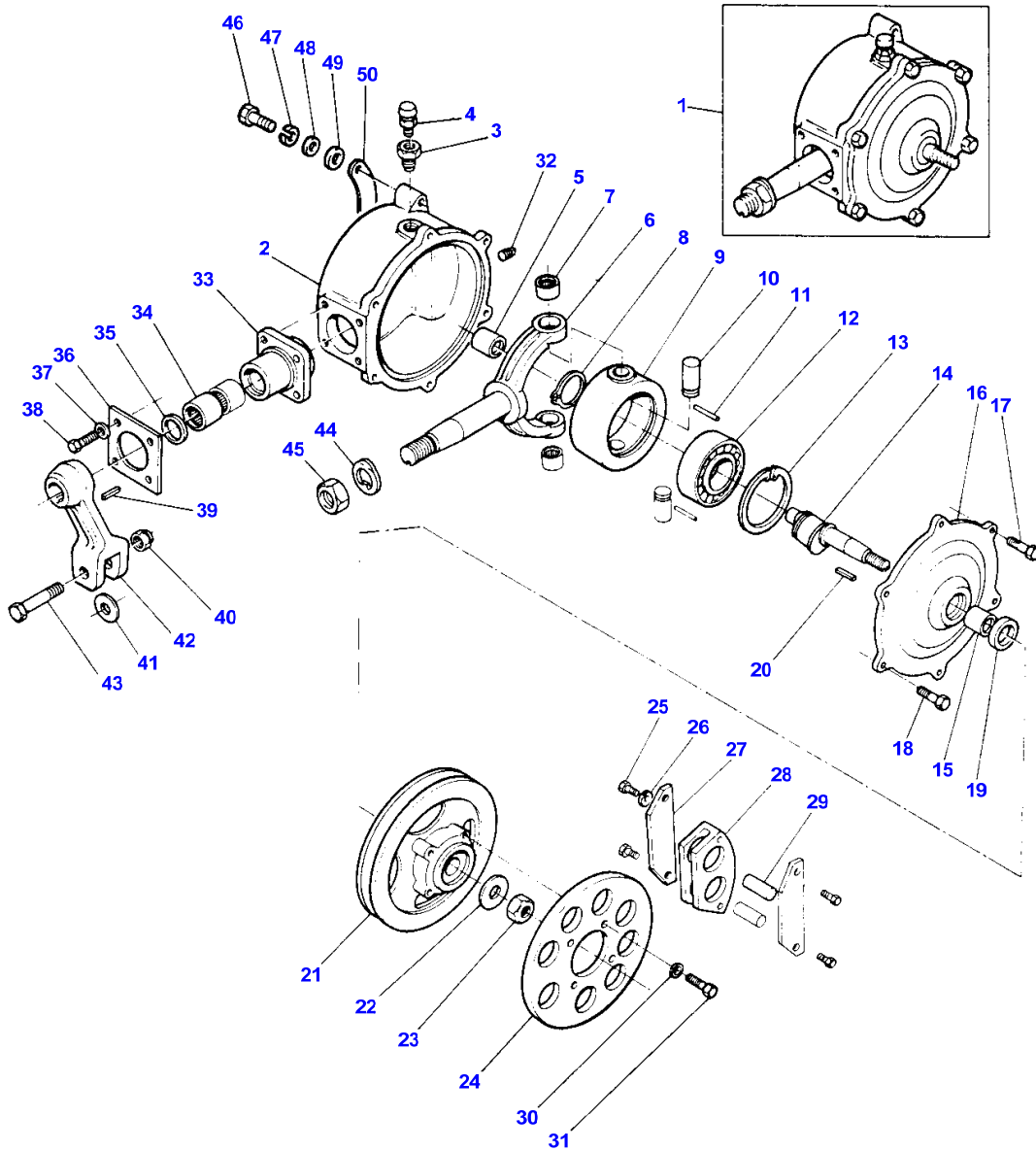
(D)  
FROM TABLE NO 2533

184

WOBBLE DRIVE  
 COMMANDE OSCILLANTE  
 TAUMELANTRIEB  
 TRASMISSIONE DISASSATA  
 MANDO OSCILANTE DE CUCHILLA

21003001

3-2100-001-B



PRINTED IN U.K.

520 525

819611-H (1)

WOBBLE DRIVE - UNIVERSAL AND NEW PROFILE TABLES

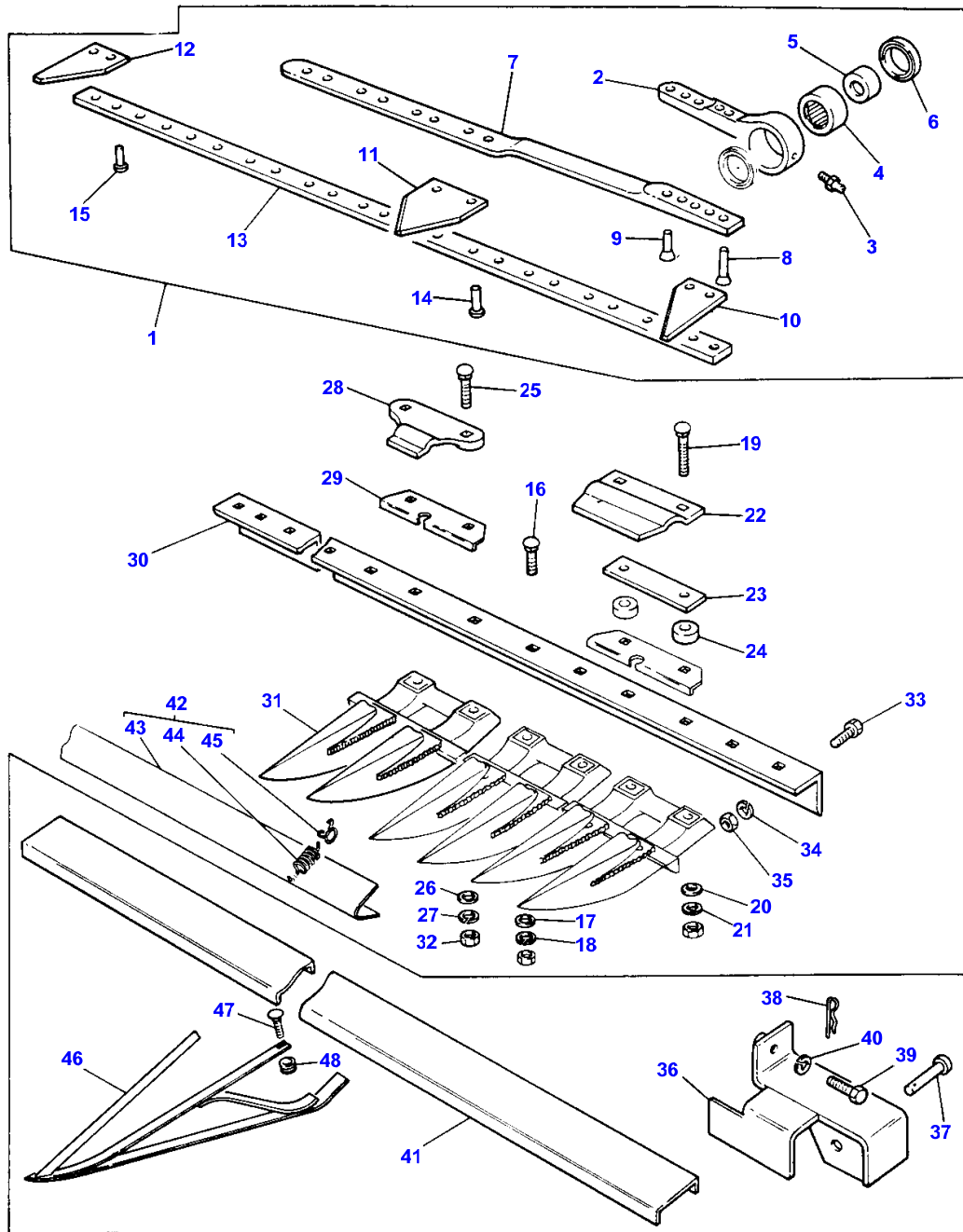
Item	Part Number	Qty	Description	Comments
				UNIVERSAL AND NEW PROFILE TABLES
1	264487M91	X	Drive	
2	264418M1	1	Housing	(1)
3	362007X1	1	Reducer	(1)
4	182099M91	1	Breather	(1)
5	843277M1	1	Bearing	(1)
6	264415M1	1	Yoke	(1)
7	832389M1	2	Bearing	(1)
8	355919X1	1	Snapping	(1)
9	264422M1	1	Housing	(1)
10	264423M1	2	Pin	(1)
11	360993X1	2	Pin	(1)
12	843278M1	1	Bearing Assy	(1)
13	369864X1	1	Circlip	(1)
14	264416M1	1	Shaft	(1)
15	843276M1	1	Bearing	(1)
16	264419M1	1	Cover	(1)
17	353691X1	5	Screw Unc	(1)
18	353690X1	1	Screw Unc	(1)
19	831145M1	1	Seal	(1)
20	369860X1	1	Key Parallel	
21	264442M1	1	Pulley	
22	364490X1	1	Washer	
23	358799X1	1	Nut	
24	264443M1	1	Plate	
25	353980X1	16	Screw Special	
26	22445X	16	Tooth Washer	
27	261346M1	8	Plate	
28	261341M2	4	Counterweight	
29	261345M2	8	Pin	
30	353434X1	4	Lock Washer	
31	353693X1	4	Screw Unc	
32	375181X1	1	Plug	(1)
33	264421M1	1	Housing	(1)
34	831415M1	2	Bearing	(1)
35	843279M1	1	Seal	(1)
36	264435M1	1	Shim	(1)
				Thickness 0.050"
37	353439X1	4	Lock Washer	(1)
38	353725X1	4	Bolt Unc	(1)
39	369861X1	1	Key Parallel	
40	357561X1	1	Nut Unf	
41	370662X1	1	Washer	
42	264417M1	1	Arm	
43	369862X1	1	Screw Unf	
44	369863X1	1	Washer	(1)
45	355646X1	1	Nut Unf	(1)
46	354276X1	2	Screw Unc	
47	353439X1	2	Lock Washer	
48	353773X1	2	Washer	
49	371078X1	X	Washer	
50	3035167M1	1	Plate	

186

KNIFE  
LAME  
MESSER  
LAMA  
CUCHILLA

20643002

3-2054-002-B



PRINTED IN U.K.

520 525

819611-H (1)

KNIFE - UNIVERSAL TABLES

Item	Part Number	Qty	Description	Comments
UNIVERSAL TABLES				
1	3034149M91	2	Knife	(A)
	3034148M91	2	Knife	(A)
	3034147M91	2	Knife	(A)
	3034146M91	2	Knife	(A)
	3034145M91	2	Knife	(A)
	3034682M91	2	Knife	(B)
	3034681M91	2	Knife	(B)
	3034680M91	2	Knife	(B)
	3034679M91	2	Knife	(B)
	3034678M91	2	Knife	(B)
2	239171M3	1	Head	(1)
3	13811X	1	Grease Nipple	(1)
4	833083M1	1	Bearing Needle	(1)
5	239242M1	1	Roller	(1)
6	831225M1	2	Seal	(1)
7	3034173M1	1	Spring	(1)
8	29142X	2	Rivet	(1)
9	29140X	3	Rivet	(1)
10	264993M1	1	Half Section	(1)
				Left Hand
11	146503M1	X	Section	(1)
				(A)
11	144794M1	X	Section	(1)
				(B)
12	264994M1	1	Half Section	(1)
				Right Hand
13	234660M1	1	Knife Back	(1)
				12'
13	234661M1	1	Knife Back	(1)
				14'
13	234663M1	1	Knife Back	(1)
				16'
13	234664M1	1	Knife Back	(1)
				18'
13	247510M1	1	Knife Back	(1)
				10'
14	10410X	8	Rivet	(1)
15	362038X1	X	Rivet	(1)
16	363905X1	X	Bolt Unc	
17	353756X1	X	Washer	
18	353434X1	X	Lock Washer	
19	363906X1	2	Bolt Unc	
20	353756X1	2	Washer	
21	353434X1	2	Lock Washer	
22	235197M1	1	Clip	
23	366816X1	1	Shim	
	366817X1	3	Shim	
24	366320X1	2	Spacer	
25	363770X1	X	Bolt Unc	
26	353756X1	X	Washer	
27	353434X1	X	Lock Washer	
28	264996M1	X	Clip	
29	231303M1	X	Guide	
30	282398M2	1	Angle	12'
	282396M1	1	Anglepiece	14'
	282394M2	1	Anglepiece	16'
	282393M1	1	Anglepiece	18'
	282399M1	1	Angle	10'
31	609993M91	X	Finger	
32	355566X1	X	Nut Unc	
33	353693X1	X	Screw Unc	
34	353434X1	X	Lock Washer	
35	355566X1	X	Nut Unc	
36	267015M91	1	Bracket	
37	1501302M1	1	Pin	
38	195415M1	1	Hair Pin	
39	353691X1	1	Screw Unc	
40	353434X1	1	Lock Washer	

KNIFE - UNIVERSAL TABLES

Item	Part Number	Qty	Description	Comments
41	267010M1	1	Channel	12'
41	282400M1	1	Transverse	14'
41	282400M1	1	Transverse	16'
41	282402M1	1	Transverse	16'
41	282404M1	2	Channel	18'
41	267011M1	1	Channel	10'
42	617743M91	1	Guard	10'-16'
42	617743M91	2	Guard	14'
42	617744M91	3	Guard	18'
42	617744M91	2	Guard	12'-16'
42	617744M91	1	Guard	10'
43		1	Guard	(36) Not serviced, order 617 743 M91/ 617 744 M91
44	322980M1	2	Spring	(36)
45	322979M1	2	Knotter Hook	(36)
46	3034846M1	X	Ear Lifter	
47	1442868X1	X	Bolt Metric	
48	1616397M1	X	Nut	

(A)  
OVERSERRATED KNIFE

(B)  
SMOOTH KNIFE

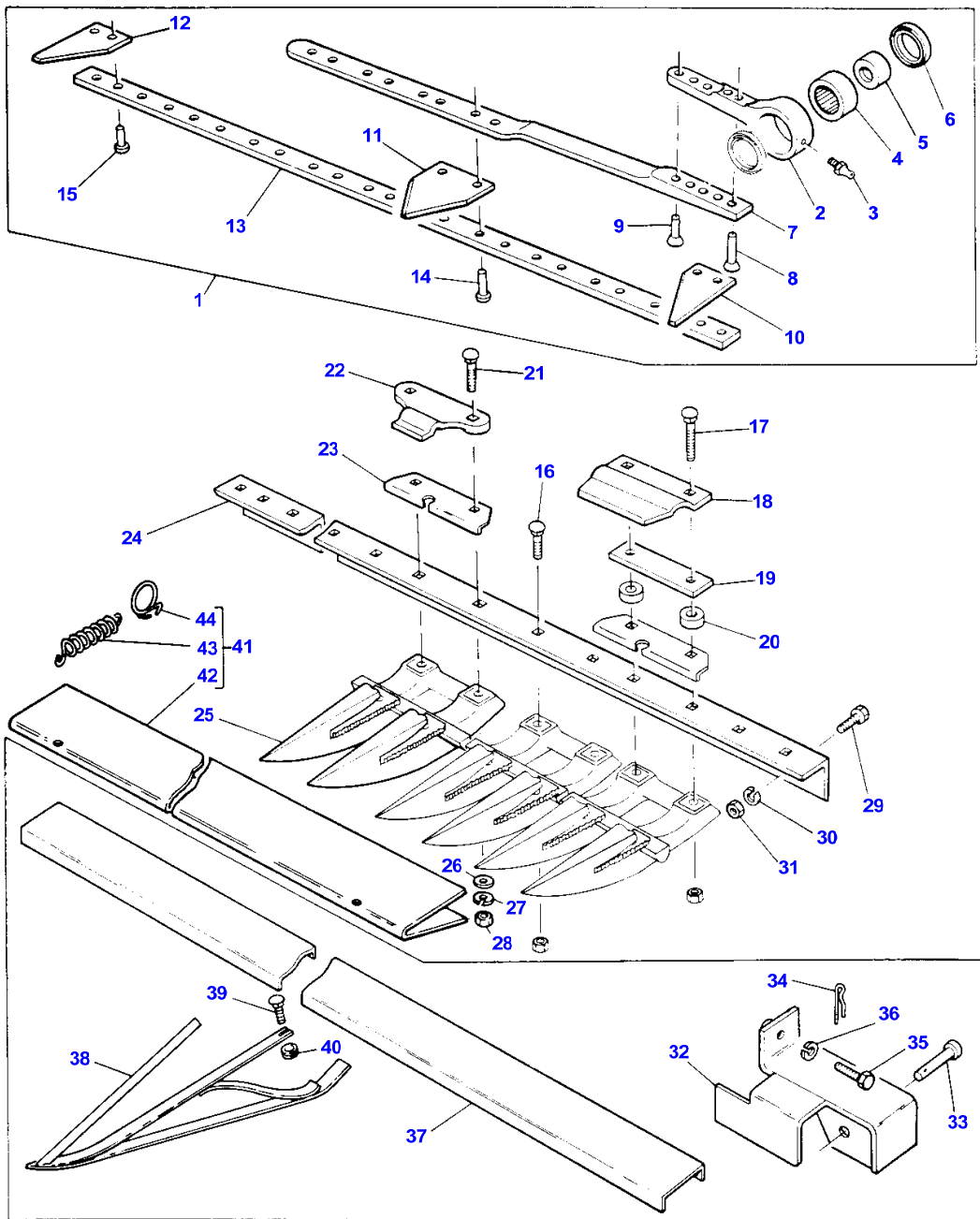


190

KNIFE  
LAME  
MESSER  
LAMA  
CUCHILLA

20643003

3-2054-003-B



PRINTED IN U.K.

520 525

819611-H (1)

KNIFE - NEW PROFILE TABLES

Item	Part Number	Qty	Description	Comments
				NEW PROFILE TABLES
1	282328M92	1	Knife	(A)
	282329M92	1	Knife	(B)
	282330M91	1	Knife	(A)
	282331M91	1	Knife	(B)
	282334M91	1	Knife	(A)
	282335M91	1	Knife	(B)
	282338M91	1	Knife	(A)
	282339M91	1	Knife	(B)
	282340M91	1	Knife	(A)
	282341M91	1	Knife	(B)
	282342M91	1	Knife	(A)
	282343M91	1	Knife	(B)
2	239171M3	1	Head	(1)
3	13811X	1	Grease Nipple	(1)
4	833083M1	1	Bearing Needle	(1)
5	239242M1	1	Roller	(1)
6	831225M1	2	Seal	(1)
7	282350M1	1	Spring	(1)
8	29142X	2	Rivet	(1)
9	29140X	3	Rivet	(1)
10	261429M1	1	Section	(1)
11	146503M1	X	Section	(1)
				(A)
11	144794M1	X	Section	(1)
				(B)
12	261430M1	1	Section	(1)
13	247510M1	1	Knife Back	(1)
				10'
13	234660M1	1	Knife Back	(1)
				12'
13	234661M1	1	Knife Back	(1)
				14'
13	234663M1	1	Knife Back	(1)
				16'
13	234664M1	1	Knife Back	(1)
				18'
13	234665M1	1	Knife Back	(1)
				20'
14	10410X	8	Rivet	(1)
15	362038X1	X	Rivet	(1)
16	363905X1	X	Bolt Unc	
17	363906X1	2	Bolt Unc	
18	235197M1	1	Clip	
19	366816X1	1	Shim	Thickness 0.010"
	366817X1	1	Shim	Thickness 0.024"
20	366320X1	2	Spacer	
21	363770X1	X	Bolt Unc	
22	206195M1	X	Clip	
23	231303M1	X	Guide	
24	282399M1	1	Angle	10'
	282398M2	1	Angle	12'
	282396M1	1	Anglepiece	14'
	282394M1	1	Anglepiece	16'
	282393M1	1	Anglepiece	18'
	282392M1	1	Angle	20'
25	609993M91	X	Finger	
26	353756X1	X	Washer	
27	353434X1	X	Lock Washer	
28	355566X1	X	Nut Unc	
29	353693X1	X	Screw Unc	
30	353434X1	X	Lock Washer	
31	355566X1	X	Nut Unc	
32	282412M91	1	Bracket	
33	1501302M1	1	Pin	
34	195415M1	1	Hair Pin	
35	353689X1	1	Screw Unc	
36	353434X1	1	Lock Washer	
37	282403M1	1	Channel	10'

KNIFE - NEW PROFILE TABLES

Item	Part Number	Qty	Description	Comments
37	282406M1	1	Channel	12'
37	282409M1	1	Channel	14'
37	282400M1	1	Transverse	16'
37	282402M1	1	Transverse	16'
37	282402M1	2	Transverse	18'
37	282402M1	1	Transverse	20'
37	282404M1	1	Channel	20'
38	3034846M1	X	Ear Lifter	
39	1442868X1	X	Bolt Metric	
40	1616397M1	X	Nut	
41	617743M91	1	Guard	For Germany only or any text in German only 10'
41	617744M91	1	Guard	For Germany only or any text in German only 10'
41	617744M91	2	Guard	For Germany only or any text in German only 12'
41	617743M91	2	Guard	For Germany only or any text in German only 14'
41	617744M91	1	Guard	For Germany only or any text in German only 14'
41	617743M91	1	Guard	For Germany only or any text in German only 16'
41	617744M91	2	Guard	For Germany only or any text in German only 16'
41	617744M91	3	Guard	For Germany only or any text in German only 18'
41	617743M91	2	Guard	For Germany only or any text in German only 20'
41	617744M91	2	Guard	For Germany only or any text in German only 20'
42		X	Guard	(41)
				Not serviced, order REF 41
43	322980M1	X	Spring	(41)
44	322979M1	X	Knotter Hook	(41)

(A)  
OVERSERRATED KNIFE

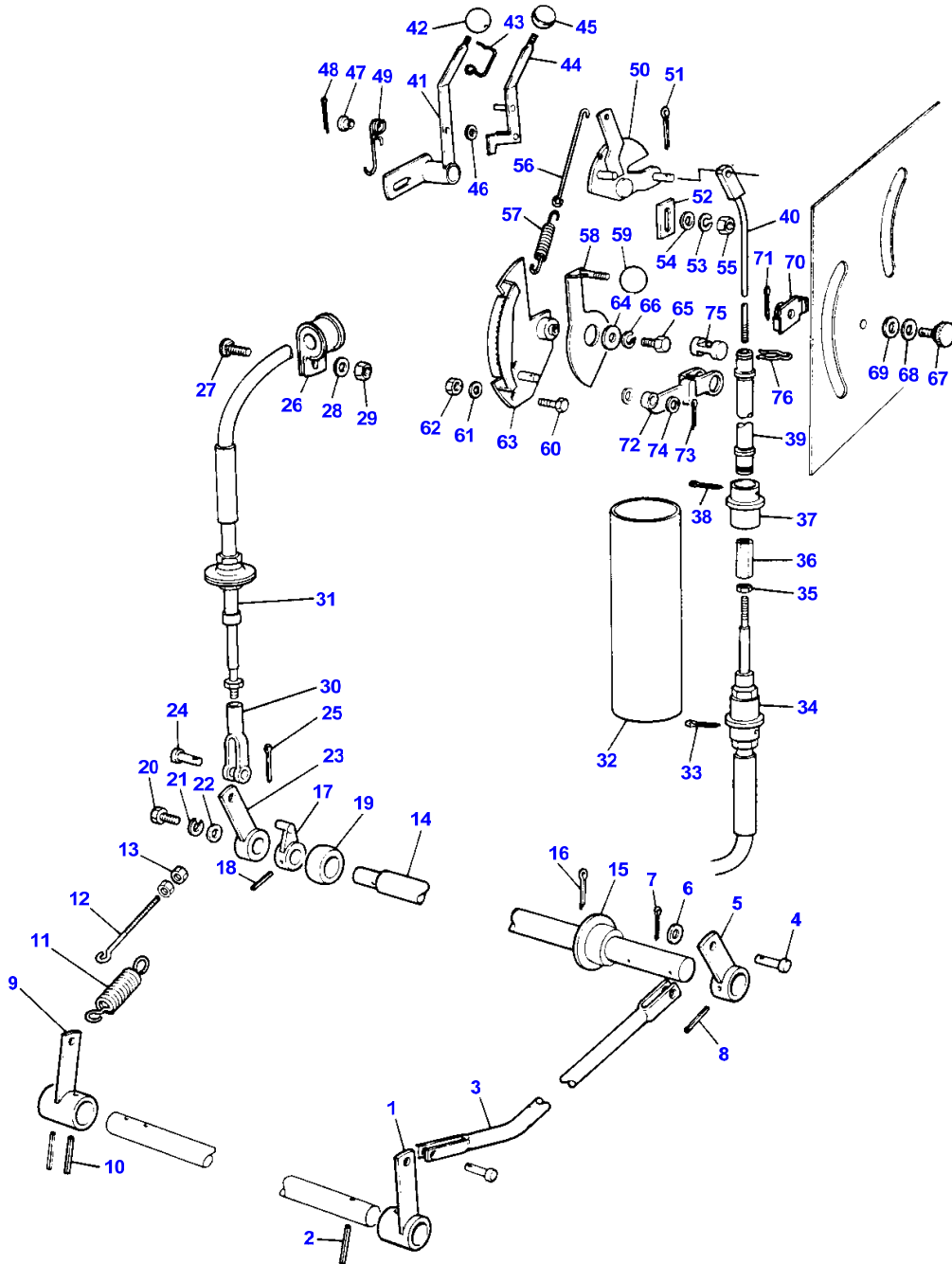
(B)  
SMOOTH KNIFE

194

**AUTOMATIC TABLE HEIGHT CONTROL**  
**COMMANDE DE CONTROLE AUTOMATIQUE DE HAUTEUR**  
**AUTOMATISCHE TISCHHOEHNVERSTELLUNG**  
**COMANDO AUTOMATICO SOLLEVAMENTO TAVOLA**  
**CONTROL AUTOMATICO DE ALTURA PLATAFORMA**

22053001

3-2205-001-A



PRINTED IN U.K.

520 525

819611-H (1)

Item	Part Number	Qty	Description	Comments
UNIVERSAL AND NEW PROFILE TABLES				
1	3035222M91	1	Arm	
2	360227X1	2	Pin	
3	3035231M91	1	Rod	(A)
	3035219M91	1	Rod	(B)
4	354190X1	2	Pin	
5	3035210M91	1	Arm	
6	353757X1	2	Washer	
7	354048X1	2	Pin	
8	355723X1	1	Pin	
9	3035217M91	1	Arm	
10	360227X1	2	Pin	
11	418196M1	1	Spring	
12	368755X1	1	Bolt	
13	355565X1	2	Nut Unc	
14	3035223M1	1	Shaft	10'
	3035224M1	1	Shaft	12'
	3035225M1	1	Shaft	14'
	3035226M1	1	Shaft	16'
	3035227M1	1	Shaft	18'
	3035228M1	1	Shaft	20'
15	353763X1	2	Washer	
16	354068X1	2	Pin	
17	1615105M1	1	Lever	
18	357646X1	1	Pin	
19	264830M1	2	Bearing	
20	353500X1	1	Screw Unf	
21	353441X1	1	Lock Washer	
22	353754X1	1	Washer	
23	3035207M91	1	Arm	
24	361291X1	1	Pin	
25	359020X1	1	Pin	
26	786836M1	1	Clip	
27	353808X1	1	Bolt Unf	
28	355619X1	1	Washer	
29	353431X1	1	Nut Unf	
30	796788M1	1	Yoke	
31	3049298M1	1	Cable	
32	795601M92	1	Tube	
33	375092X1	2	Pin	
34	3049286M1	1	Bush	
35	363619X1	2	Nut	
36	3049287M1	1	Bush	
37	3049295M1	1	Bush	
38	354043X1	2	Pin	
39	3049290M91	1	Tube	
40	3049285M91	1	Rod	
41	783043M91	1	Lever	
42	796067M2	1	Knob	
43	787852M1	1	Clip	
44	783041M91	1	Lever	
45	796068M1	1	Knob	
46	795642M1	1	Spacer	
47	796958M1	1	Guide	
48	354039X1	1	Cotter	
49	795655M1	1	Spring	
50	782930M91	1	Ratchet	
51	354039X1	1	Cotter	
52	787749M1	1	Stop	
53	353434X1	1	Lock Washer	
54	353756X1	1	Washer	
55	353431X1	1	Nut Unf	
56	3049297M1	1	Hook	
57	782937M1	1	Spring	
58	3049663M91	1	Lever	
59	787090M1	1	Knob	
60	353517X1	1	Screw Unf	
61	353446X1	1	Lock Washer	
62	353916X1	1	Nut Unf	

<b>Item</b>	<b>Part Number</b>	<b>Qty</b>	<b>Description</b>	<b>Comments</b>
63	782933M92	1	Quadrant	
64	796492M1	1	Spacer	
65	353536X1	1	Screw Unf	
66	353434X1	1	Lock Washer	
67	796103M1	1	Screw	
68	239221M1	1	Washer	
69	355618X1	1	Washer	
70	782970M91	1	Plate	
71	354039X1	1	Cotter	
72	795604M1	1	Arm	
73	354046X1	1	Pin	
74	353756X1	2	Washer	
75	3049294M1	1	Trunnion	
76	796967M1	1	Pin	

(A)  
UNIVERSAL TABLES

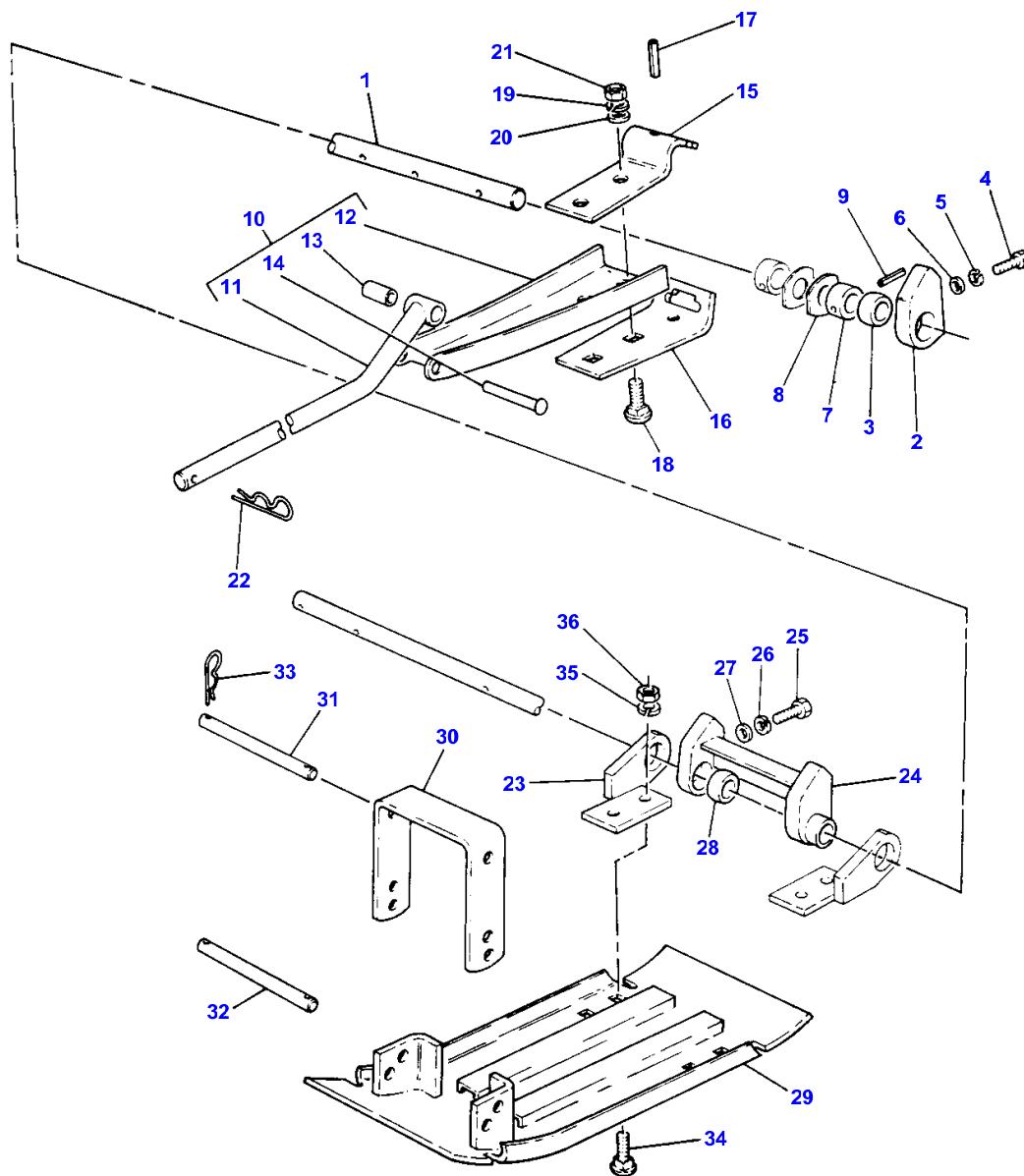
(B)  
NEW PROFILE TABLES

198

**SENSING FINGERS**  
**CONTROLE AUTOMATIQUE DE HAUTEUR DE COUPE**  
**TASTER**  
**COMANDO AUTOMATICO ALZATA TAGLIO**  
**DEDOS ESCAMOTEABLES**

22103002

3-2210-002-A



PRINTED IN U.K.

520 525

819611-M (1)

SENSING FINGERS - UNIVERSAL TABLES

Item	Part Number	Qty	Description	Comments
UNIVERSAL TABLES				
1	3035050M1	1	Shaft	10'
	3035051M1	1	Shaft	12'
	3035052M1	1	Shaft	14'
	3035053M1	1	Shaft	16'
	3035054M1	1	Shaft	18'
2	3035110M1	2	Bearing	
3	264830M1	2	Bearing	
4	353679X1	2	Screw Unc	
5	353446X1	2	Lock Washer	
6	353755X1	2	Washer	
7	370652X1	2	Collar	
8	264831M1	6	Shim	Thickness .010"
	264832M1	2	Shim	Thickness .0785"
9	346731X1	X	Pin	
10	3035111M91	8	Finger	10'
	3035111M91	9	Finger	12'
	3035111M91	11	Finger	14'
	3035111M91	12	Finger	16'
	3035111M91	14	Finger	18'
11	3035102M91	1	Finger	(10)
12	795603M1	1	Finger	(10)
13	795640M1	1	Arm	(10)
14	16927X	1	Rivet	(10)
15	3035005M1	8	Strap	10'
	3035005M1	9	Strap	12'
	3035005M1	1	Strap	14'
	3035005M1	12	Strap	16'
	3035005M1	14	Strap	18'
16	3035006M1	8	Tie	10'
	3035006M1	9	Tie	12'
	3035006M1	11	Tie	14'
	3035006M1	12	Tie	16'
	3035006M1	14	Tie	18'
17	346731X1	X	Pin	
18	353826X1	X	Bolt Unf	
19	353432X1	X	Lock Washer	
20	353757X1	X	Washer	
21	355645X1	X	Nut Unc	
22	195636M1	X	Pin	
23	3035003M92	4	Support	Left Hand 10'
	3035004M92	4	Bracket	Right Hand 10'
	3035003M92	6	Support	Left Hand 12'
	3035004M92	6	Bracket	Right Hand 12'
	3035003M92	6	Support	Left Hand 14'
	3035004M92	6	Bracket	Right Hand 14'
	3035003M92	8	Support	Left Hand 16'
	3035004M92	8	Bracket	Right Hand 16'
	3035003M92	8	Support	Left Hand 18'
	3035004M92	8	Bracket	Right Hand 18'
24	3035131M91	4	Bearing Carrier	10'
	3035131M91	6	Bearing Carrier	12',14'
	3035131M91	8	Bearing Carrier	16',18'
25	353679X1	X	Screw Unc	
26	353446X1	X	Lock Washer	
27	353755X1	X	Washer	
28	264830M1	4	Bearing	10'
	264830M1	6	Bearing	12',14'
	264830M1	8	Bearing	16',18'
29	3035098M92	4	Skid	10'
	3035098M92	6	Skid	12',14'
	3035098M92	8	Skid	16',18'
30	3035074M91	4	Bracket	10'
	3035074M91	6	Bracket	12',14'
	3035074M91	8	Bracket	16',18'
31	3035175M1	4	Shaft	10'
	3035175M1	6	Shaft	12',14'
	3035175M1	8	Shaft	16',18'
32	3035174M1	8	Shaft	10'



**MASSEY FERGUSON****MF 520/525 COMBINES - 819611****819611****SENSING FINGERS - UNIVERSAL TABLES****198**

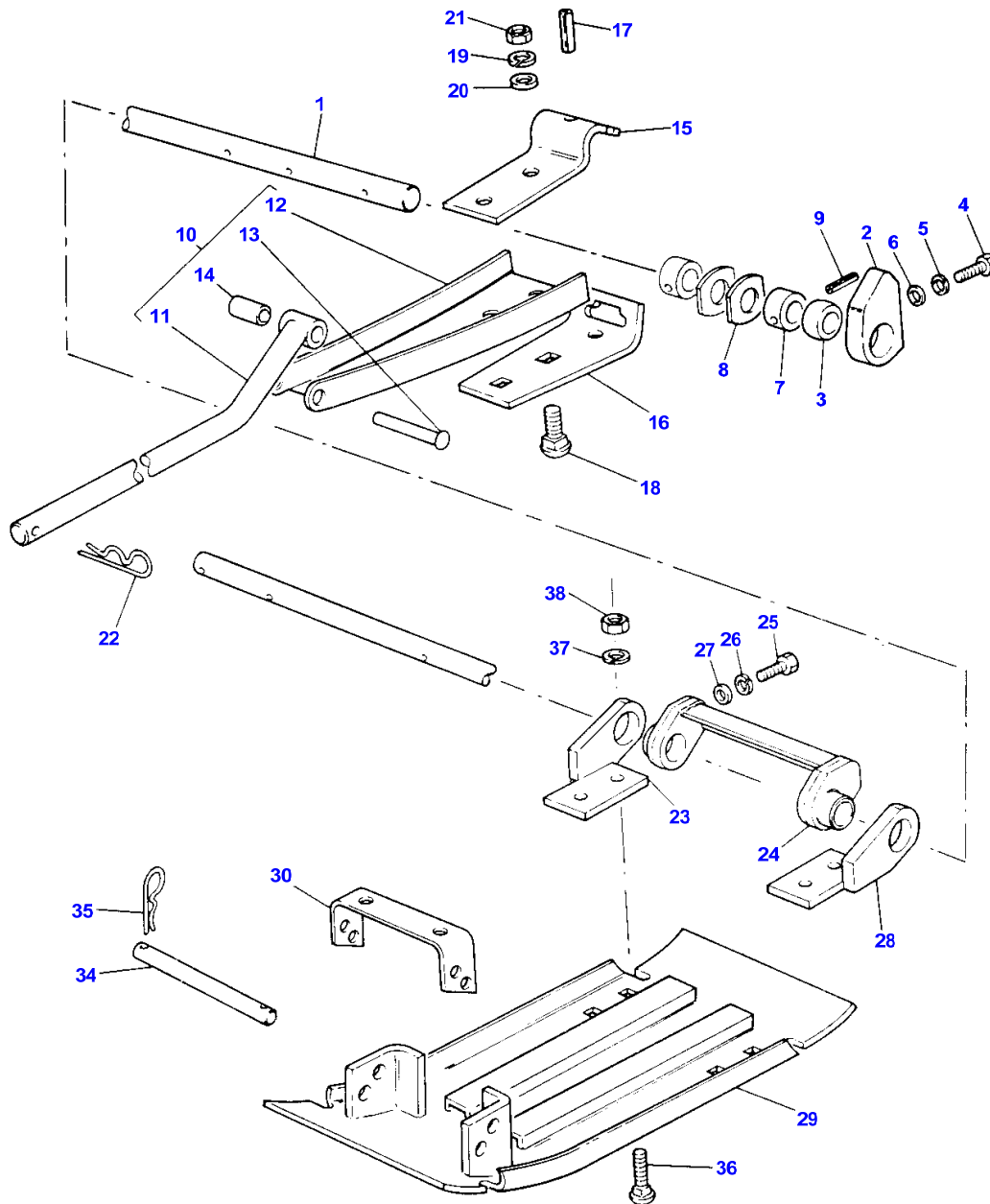
<b>Item</b>	<b>Part Number</b>	<b>Qty</b>	<b>Description</b>	<b>Comments</b>
32	3035174M1	6	Shaft	12',14'
32	3035174M1	8	Shaft	16',18'
33	364096X1	X	Pin	
34	363486X1	X	Bolt	
35	353432X1	X	Lock Washer	
36	355645X1	X	Nut Unc	

202

SENSING FINGERS  
 CONTROLE AUTOMATIQUE DE HAUTEUR DE COUPE  
 TASTER  
 COMANDO AUTOMATICO ALZATA TAGLIO  
 DEDOS ESCAMOTEABLES

22103003

3-2210-003-B



PRINTED IN U.K.

520 525

819611-H (1)

SENSING FINGERS - NEW PROFILE TABLE

Item	Part Number	Qty	Description	Comments
NEW PROFILE TABLE				
1	3035056M1	1	Shaft	10'
	3035059M1	1	Shaft	12'
	3035062M1	1	Shaft	14'
	3035057M1	1	Shaft	16'
	3035060M1	1	Shaft	18'
	3035063M1	1	Shaft	20'
2	3035109M1	2	Bearing	
3	264830M1	2	Bearing	
4	353679X1	2	Screw Unc	
5	353446X1	2	Lock Washer	
6	353755X1	2	Washer	
7	370652X1	1	Collar	
8	264831M1	1	Shim	Thickness .010"
	264832M1	1	Shim	Thickness .0785"
	3008562X1	1	Washer	
9	346731X1	X	Pin	
10	3035111M91	7	Finger	10'
	3035111M91	8	Finger	12'
	3035111M91	10	Finger	14'
	3035111M91	11	Finger	16'
	3035111M91	12	Finger	18'
	3035111M91	14	Finger	20'
11	3035102M91	1	Finger	(10)
12	795603M1	1	Finger	(10)
13	795640M1	1	Arm	(10)
14	16927X	1	Rivet	(10)
15	3035005M1	X	Strap	
16	3035006M1	X	Tie	
17	346731X1	X	Pin	
18	363486X1	X	Bolt	
19	353432X1	X	Lock Washer	
20	353757X1	X	Washer	
21	355645X1	X	Nut Unc	
22	195636M1	X	Pin	
23	3035003M92	3	Support	Left Hand 10'
	3035003M92	4	Support	Left Hand 12'
	3035003M92	4	Support	Left Hand 14'
	3035003M92	5	Support	Left Hand 16'
	3035003M92	6	Support	Left Hand 18'
	3035003M92	6	Support	Left Hand 20'
24	3035136M91	3	Bearing	10'
	3035136M91	4	Bearing	12'
	3035136M91	4	Bearing	14'
	3035136M91	5	Bearing	16'
	3035136M91	6	Bearing	18'
	3035136M91	6	Bearing	20'
25	353755X1	X	Washer	
26	353446X1	X	Lock Washer	
27	353679X1	X	Screw Unc	
28	3035004M92	3	Bracket	Right Hand 10'
	3035004M92	4	Bracket	Right Hand 12'
	3035004M92	4	Bracket	Right Hand 14'
	3035004M92	5	Bracket	Right Hand 16'
	3035004M92	6	Bracket	Right Hand 18'
	3035004M92	6	Bracket	Right Hand 20'
29	3035098M92	3	Skid	10'
	3035098M92	4	Skid	12'14'
	3035098M92	5	Skid	16'
	3035098M92	6	Skid	18'20'
30	3035099M1	3	Support	10'
	3035099M1	4	Support	12'14'
	3035099M1	5	Support	16'
	3035099M1	6	Support	18'20'
31	353690X1	X	Screw Unc	
32	353434X1	X	Lock Washer	
33	353756X1	X	Washer	
34	3035174M1	X	Shaft	
35	364096X1	X	Pin	

**MASSEY FERGUSON**  
**MF 520/525 COMBINES - 819611**

819611

202

**SENSING FINGERS - NEW PROFILE TABLE**

<b>Item</b>	<b>Part Number</b>	<b>Qty</b>	<b>Description</b>	<b>Comments</b>
36	363486X1	X	Bolt	
37	353432X1	X	Lock Washer	
38	355645X1	X	Nut Unc	

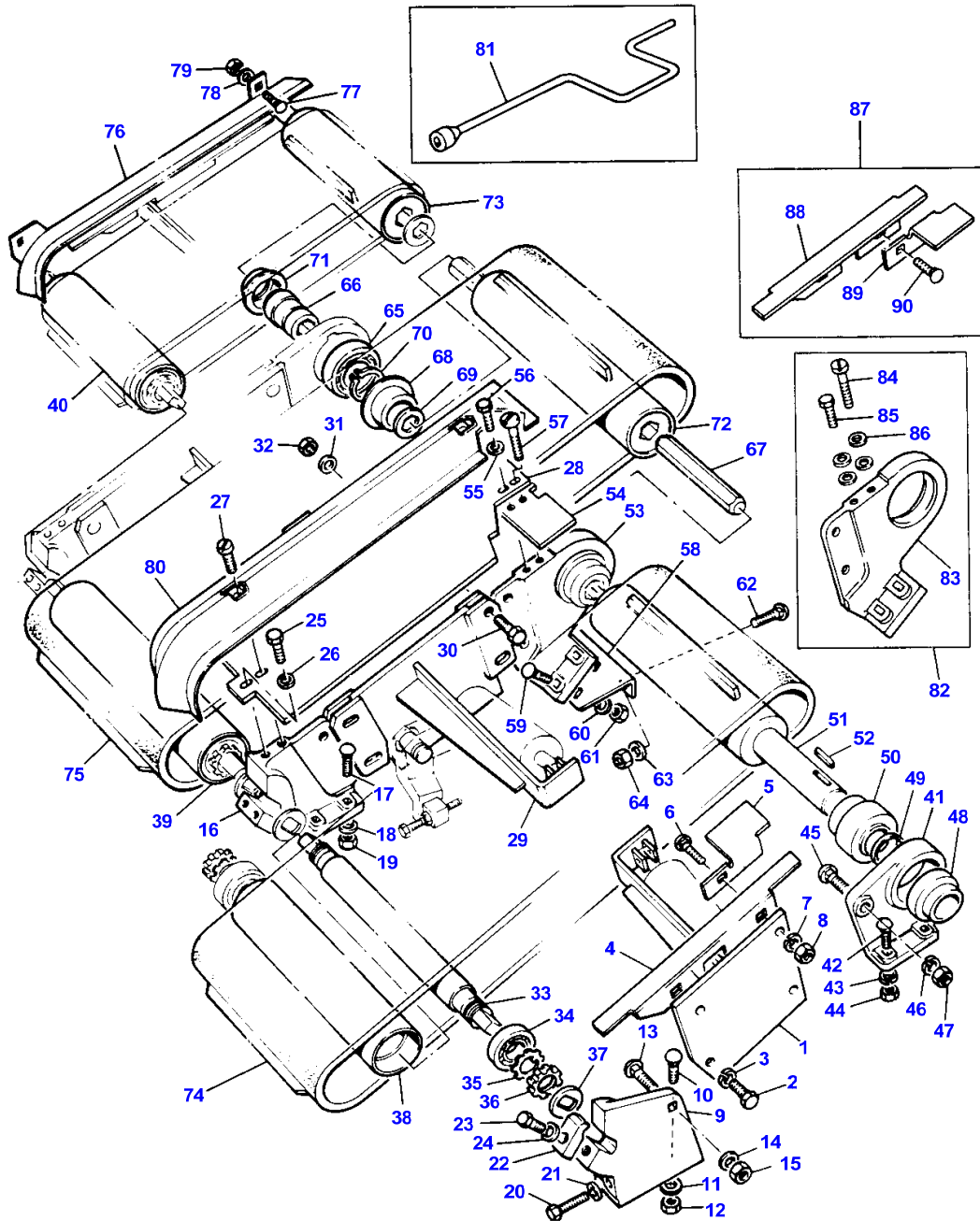
206

CONVEYOR ASSEMBLY  
ENSEMBLE TAPIS  
FOERDERTUCH HOMPLETTEIL  
TAPPETO GRUPPO  
CORRERA TRANSPORTADORA CONJUNTA

APRON AND DRIVES  
TAPIS ET ENTRAINEMENT  
FOERDERTUCHER UND ANTRIEB  
TAPPETO E TRASMISSIONE  
CORRERA Y MANDO

23013001

3-2301-001-B



PRINTED IN U.K.

520 525

819611-H (1)

**MASSEY FERGUSON**

**MF 520/525 COMBINES - 819611**

819611

**CONVEYOR ASSEMBLY APRON AND DRIVES - UNIVERSAL TABLES**

206

Item	Part Number	Qty	Description	Comments
				UNIVERSAL TABLES
1	3034326M92	1	Support	Left Hand
	3034325M92	1	Support	Right Hand
2	353689X1	4	Screw Unc	
3	353434X1	4	Lock Washer	
4	3034324M1	1	Scraper	Left Hand
				Up to Serial or Engine Number 524
4	3034323M1	1	Scraper	Right Hand
				Up to Serial or Engine Number 524
4	3035171M1	1	Scraper	Left Hand
				From Serial or Engine Number 524
4	3035170M1	1	Scraper	Right Hand
				From Serial or Engine Number 524
5	3034963M1	1	Scraper	Left Hand
				From Serial or Engine Number 524
5	3034962M1	1	Scraper	Right Hand
				From Serial or Engine Number 524
6	360519X1	4	Bolt	
7	353434X1	4	Lock Washer	
8	355566X1	4	Nut Unc	
9	3034247M1	1	Bearing	Left Hand
	3034248M1	1	Bearing	Right Hand
10	363770X1	4	Bolt Unc	
11	338997X1	4	Washer	
12	355566X1	4	Nut Unc	
13	363905X1	2	Bolt Unc	
14	338996X1	2	Washer	
15	355566X1	2	Nut Unc	
16	3034335M2	1	Bearing Carrier	10'
	3034335M2	2	Bearing Carrier	12'-14'
	3034335M2	3	Bearing Carrier	16'-18'
17	363905X1	X	Bolt Unc	
18	338997X1	X	Washer	
19	355566X1	X	Nut Unc	
20	330902X1	X	Bolt Unc	
21	353756X1	X	Washer	
22	3034304M1	4	Clamp	10'
	3034304M1	6	Clamp	12'-14'
	3034304M1	8	Clamp	16'-18'
23	354264X1	X	Bolt Unc	
24	338901X1	X	Washer	
25	353689X1	X	Screw Unc	
26	338996X1	X	Washer	
27	355063X1	X	Screw Unc	
28	3034295M2	1	Scraper	10'
				Up to Serial or Engine Number 524
28	3034295M2	2	Scraper	12'-14'
				Up to Serial or Engine Number 524
28	3034295M2	3	Scraper	16'-18'
				Up to Serial or Engine Number 524
28	3035176M1	1	Scraper	10'
				From Serial or Engine Number 524
28	3035176M1	1	Scraper	12'-14'
				From Serial or Engine Number 524
28	3035176M1	1	Scraper	16'-18'
				From Serial or Engine Number 524
29	3034296M1	1	Bracket	10'
	3034296M1	2	Bracket	12'-14'
	3034296M1	3	Bracket	16'-18'
30	354264X1	X	Bolt Unc	
31	338996X1	X	Washer	
32	355566X1	X	Nut Unc	
33	3034254M1	3	Shaft	12'
	3034254M1	1	Shaft	14'
	3034254M1	4	Shaft	16'
	3034254M1	2	Shaft	18'
	3034255M1	2	Shaft	10'-14'-18'
34	1440563X1	X	Bearing Assy	
35	1441693X1	X	Washer	

**CONVEYOR ASSEMBLY APRON AND DRIVES - UNIVERSAL TABLES**

Item	Part Number	Qty	Description	Comments
36	1440538X1	X	Nut	
37	3034250M1	6	Washer	14'
37	3034251M1	8	Washer	16'
37	3034252M1	8	Washer	18'
38	3034257M1	2	Roll	12'-16'
38	3034258M1	2	Roll	10'-14'-18'
39	3034257M1	1	Roll	12'-14'
39	3034257M1	2	Roll	16'-18'
40	3034257M1	1	Roll	12'-14'
40	3034258M1	2	Roll	16'-18'
41	3034262M1	1	Bearing	Left Hand
41	3034263M1	1	Bearing	Right Hand
42	353693X1	4	Screw Unc	
43	353434X1	4	Lock Washer	
44	355566X1	4	Nut Unc	
45	363905X1	2	Bolt Unc	
46	353434X1	2	Lock Washer	
47	355566X1	2	Nut Unc	
48	3000957X1	2	Bearing Ball	
49	3034265M1	2	Washer	14'
49	3034266M1	2	Washer	16'
49	3034267M1	2	Washer	18'
50	3034268M1	2	Bush	
51	3034270M91	1	Roller	12'-16'
51	3034271M91	1	Roller	10'-14'-18'
52	375465X1	1	Key	
53	3034283M1	1	Bearing	10'
53	3034283M1	2	Bearing	Up to Serial or Engine Number 524 12'-14'
53	3034283M1	3	Bearing	Up to Serial or Engine Number 524 16'-18'
53	3035172M1	1	Support	Up to Serial or Engine Number 524 10'
53	3035172M1	2	Support	From Serial or Engine Number 524 12'-14'
53	3035172M1	3	Support	From Serial or Engine Number 524 16'-18'
54	3034948M1	1	Scraper	From Serial or Engine Number 524 10'
54	3034948M1	2	Scraper	From Serial or Engine Number 524 12'-14'
54	3034948M1	3	Scraper	From Serial or Engine Number 524 16'-18'
55	338996X1	X	Washer	From Serial or Engine Number 524
56	353690X1	X	Screw Unc	From Serial or Engine Number 524
57	355065X1	X	Screw Unc	From Serial or Engine Number 524
58	3034316M1	1	Support	10'
58	3034316M1	2	Support	12'-14'
58	3034316M1	3	Support	16'-18'
59	363905X1	X	Bolt Unc	
60	338901X1	X	Washer	
61	355566X1	X	Nut Unc	
62	364963X1	X	Bolt Unc	
63	338901X1	X	Washer	
64	355566X1	X	Nut Unc	
65	831822M1	1	Bearing	10'
65	831822M1	2	Bearing	12'-14'
65	831822M1	3	Bearing	16'-18'
66	3034285M1	1	Bush	10'
66	3034285M1	2	Bush	12'-14'
66	3034285M1	3	Bush	16'-18'
67	3034277M1	1	Shaft	10'
67	3034277M1	2	Shaft	12'-14'
67	3034277M1	3	Shaft	16'-18'
68	3034282M1	1	Bush	10'
68	3034282M1	2	Bush	12'-14'
68	3034282M1	3	Bush	16'-18'
69	3034279M1	4	Washer	10'
69	3034280M1	6	Washer	12'-14'

CONVEYOR ASSEMBLY APRON AND DRIVES - UNIVERSAL TABLES

Item	Part Number	Qty	Description	Comments
69	3034281M1	6	Washer	16'-18'
70	353699X1	X	Screw Unc	
71	3034284M1	1	Bush	10'
71	3034284M1	2	Bush	12'-14'
71	3034284M1	3	Bush	16'-18'
72	3034286M91	1	Roller	12'-14'
72	3034286M91	2	Roller	16'-18'
73	3034288M91	1	Roller	12'-16'
73	3034289M91	1	Roller	10'-14'-18'
74	3034260M1	2	Belt	12'-16'
74	3034261M1	2	Belt	10'-14'-18'
75	3034260M1	1	Belt	12'-14'
75	3034260M1	2	Belt	16'-18'
76	3034317M91	1	Shield	Left Hand
76	3034318M91	1	Shield	Right Hand
77	365416X1	4	Bolt	
78	353771X1	4	Washer	
79	355566X1	4	Nut Unc	
80	3034291M91	1	Shield	10'
80	3034291M91	2	Shield	12'-14'
80	3034291M91	3	Shield	16'-18'
81	3034150M1	1	Crank	
82	3035182M91	X	Kit	
83	3035172M1	1	Support	(82)
84	355064X1	1	Screw Unc	(82)
85	353690X1	1	Screw Unc	(82)
86	353756X1	6	Washer	(82)
87	3035183M91	X	Kit	Right Hand
87	3035184M91	X	Kit	Left Hand
				(87)
88	3035170M1	1	Scraper	Right Hand
88	3035171M1	1	Scraper	Left Hand
				(87)
89	3034962M1	1	Scraper	Right Hand
				(87)
89	3034863M1	1	Scraper	Left Hand
				(87)
90	360519X1	2	Bolt	(87)



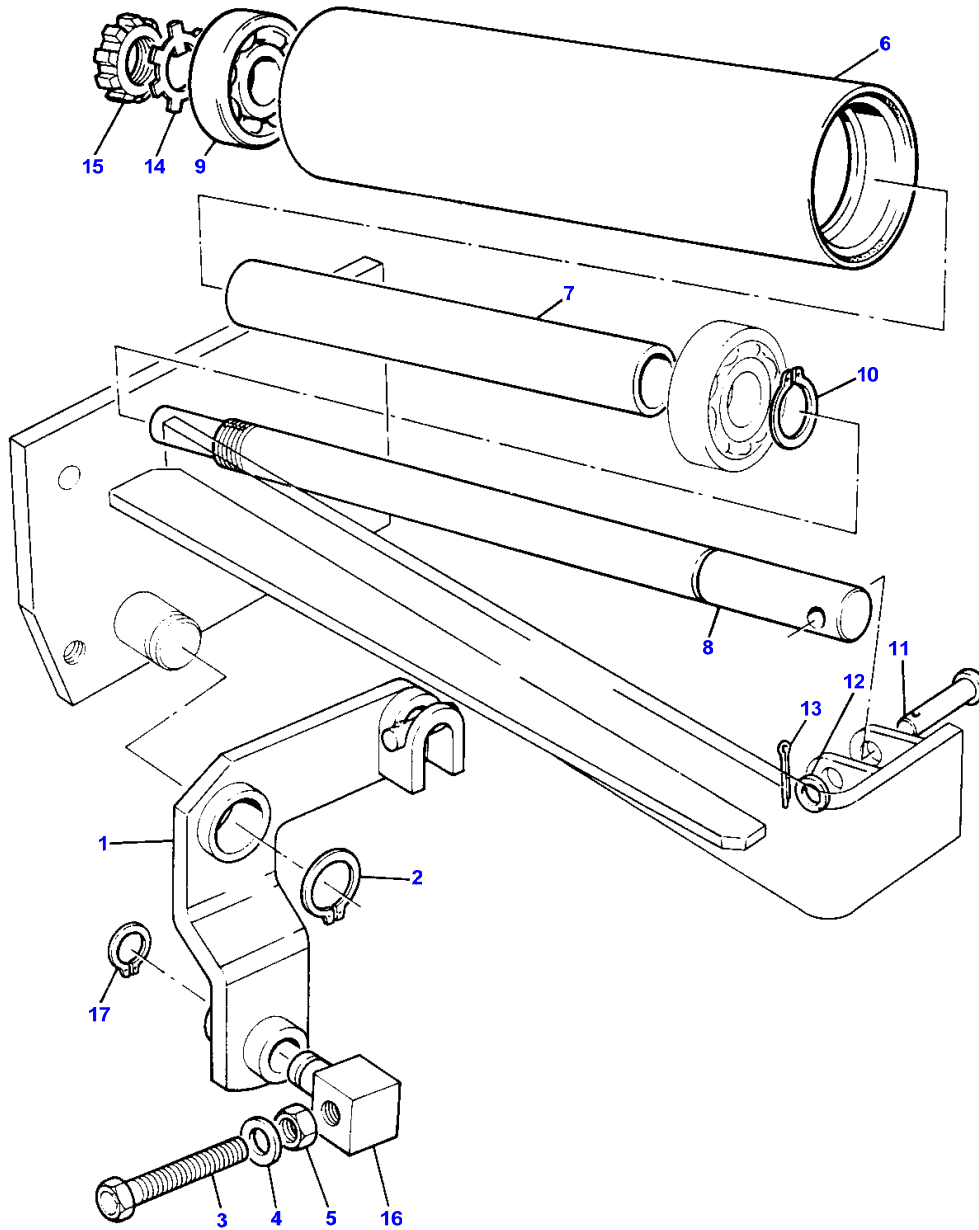
214

CONVEYOR ASSEMBLY  
 TAPIS ENSEMBLE  
 FOEROERTUCH KOMPLETTEIL  
 TAPPETO GRUPPO  
 CORRERA TRANSPORTADORA CONJUNTA

TENSION ROLLER  
 ROULEAU TENDEUR  
 FUEHRUNGSROLLE  
 RULLO DI TENSIONE  
 RULO TENSOR

23023001

3-2302-001-A



PRINTED IN U.K.

520 525

819611-H (1)

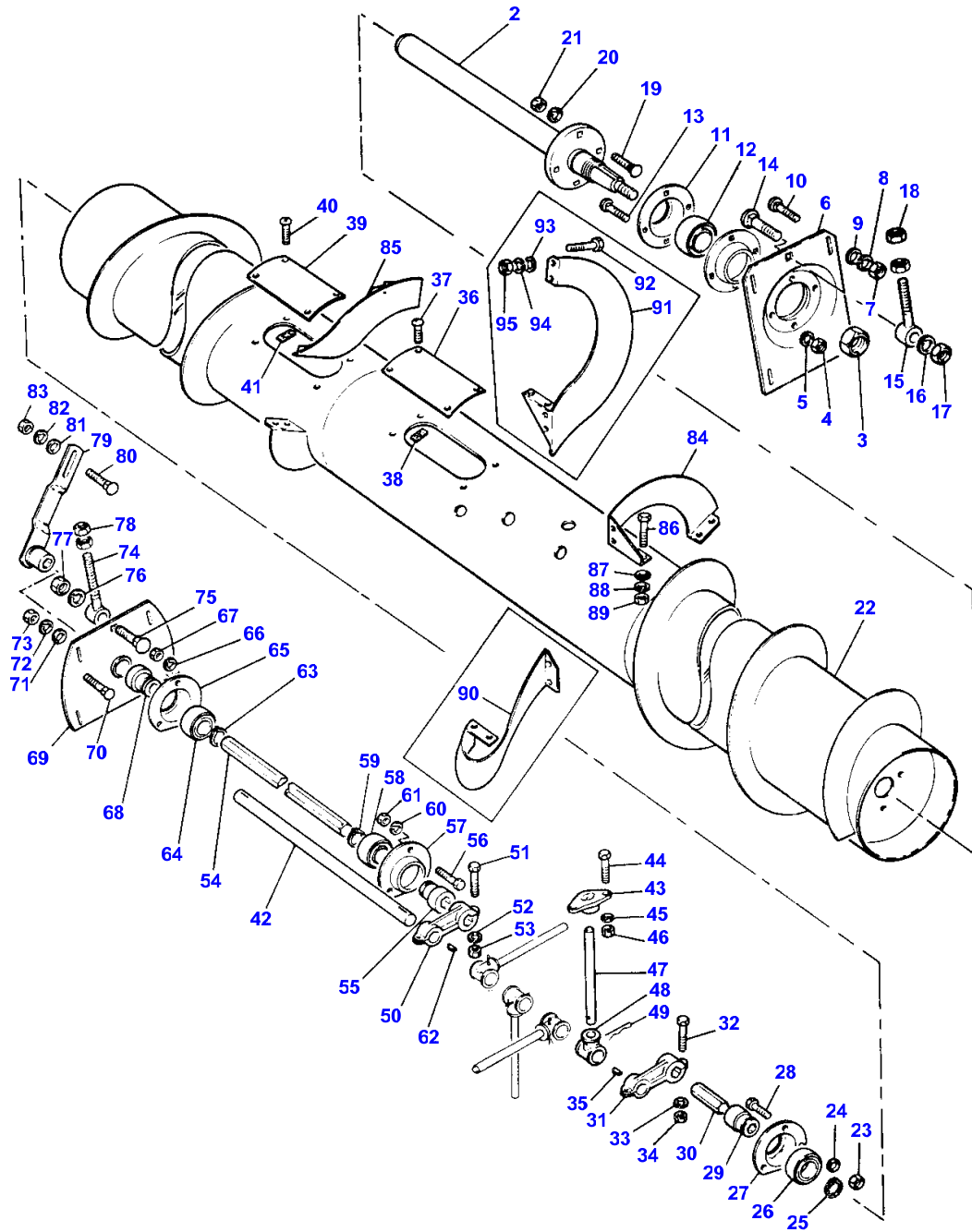
Item	Part Number	Qty	Description	Comments
				UNIVERSAL TABLES
1	3034308M91	2	Lever	Left Hand 10'
	3034308M91	3	Lever	Right Hand 12'-14'
	3034308M91	4	Lever	Left Hand 16'-18'
	3034309M91	2	Lever	Right Hand 10'
	3034309M91	3	Lever	Right Hand 12'-14'
	3034309M91	4	Lever	Right Hand 16'-18'
2	22042X	X	Segment	
3	3034305M91	4	Rod	10'
	3034305M91	6	Rod	12'-14'
	3034305M91	8	Rod	16'-18'
4	355619X1	X	Washer	
5	375109X1	X	Nut Unc	
6	3034331M91	4	Roller	10'
	3034331M91	6	Roller	12'-14'
	3034331M91	8	Roller	16'-18'
7	3034330M1	4	Spacer	10'
	3034330M1	6	Spacer	12'-14'
	3034330M1	8	Spacer	16'-18'
8	3034329M2	4	Shaft	10'
	3034329M2	6	Shaft	12'-14'
	3034329M2	8	Shaft	16'-18'
9	391360X1	8	Bearing Ball	10'
	391360X1	12	Bearing Ball	12'-14'
	391360X1	16	Bearing Ball	16'-18'
10	3006714X1	X	Retainer	
11	831490M1	X	Clevis Pin	
12	353756X1	X	Washer	
13	354057X1	X	Pin	
14	1442910X1	X	Washer	
15	3005934X1	X	Nut	
16	3034334M1	X	Trunnion	
17	353213X1	X	Snapping	

216

AUGER  
VIS  
FRONTSCHNECKE  
COCLEA  
SINFIN

21653001

3-2165-001-A



PRINTED IN U.K.

520 525

819611-H (1)

AUGER - NEW PROFILE TABLES

Item	Part Number	Qty	Description	Comments
				NEW PROFILE TABLES
1	283701M93	1	Auger	10'
	283700M93	1	Auger	12'
	283698M93	1	Auger	14'
	283695M92	1	Auger	16'
	283693M92	1	Auger	18'
	283692M92	1	Auger	20'
2	282326M91	1	Shaft	(1)
3	283675M1	1	Nut	(1)
4	375098X1	4	Nut Unc	(1)
5	353439X1	4	Lock Washer	(1)
6	282294M1	1	Plate	(1)
7	355566X1	4	Nut Unc	(1)
8	353434X1	4	Lock Washer	(1)
9	353756X1	4	Washer	(1)
10	365417X1	4	Bolt	(1)
11	831782M1	2	Flange	(1)
12	831783M1	1	Bearing	(1)
13	365777X1	4	Bolt	(1)
14	364976X1	1	Bolt Unc	(1)
15	281079M91	1	Rod	(1)
16	353439X1	1	Lock Washer	(1)
17	375098X1	1	Nut Unc	(1)
18	375098X1	2	Nut Unc	(1)
19	364246X1	4	Bolt	(1)
20	353439X1	4	Lock Washer	(1)
21	375098X1	4	Nut Unc	(1)
22	281130M93	1	Auger	(1)
				10'
22	281125M93	1	Auger	(1)
				12'
22	281095M93	1	Auger	(1)
				14'
22	281080M92	1	Auger	(1)
				16'
22	281070M92	1	Auger	(1)
				18'
22	281060M92	1	Auger	(1)
				20'
23	355566X1	3	Nut Unc	(1)
24	353434X1	3	Lock Washer	(1)
25	350394X1	1	Ring	(1)
26	831134M1	1	Bearing	(1)
27	842049M1	1	Flange	(1)
28	353689X1	3	Screw Unc	(1)
29	261741M1	1	Collar	(1)
31	261819M1	1	Shaft	(1)
	281136M1	1	Crank	(1)
32	353693X1	2	Screw Unc	(1)
33	353434X1	2	Lock Washer	(1)
34	355566X1	2	Nut Unc	(1)
35	29254X	1	Woodruff Key	(1)
36	231320M1	X	Cover	(1)
37	368242X1	X	Screw	(1)
38	365490X1	X	Nut	(1)
39	243261M1	5	Cover	(1)
40	368242X1	20	Screw	(1)
41	365490X1	20	Nut	(1)
42	282292M1	1	Shaft	(1)
43	264067M1	13	Guide	(1)
44	353667X1	26	Screw Unc	(1)
45	353754X1	26	Washer	(1)
46	358656X1	26	Nut	(1)
47	238797M2	13	Feather.Finger	(1)
48	3035169M1	13	Holder	(1)
49	368770X1	13	Pin	(1)
50	281136M1	1	Crank	(1)
51	353693X1	2	Screw Unc	(1)
52	353434X1	2	Lock Washer	(1)

AUGER - NEW PROFILE TABLES

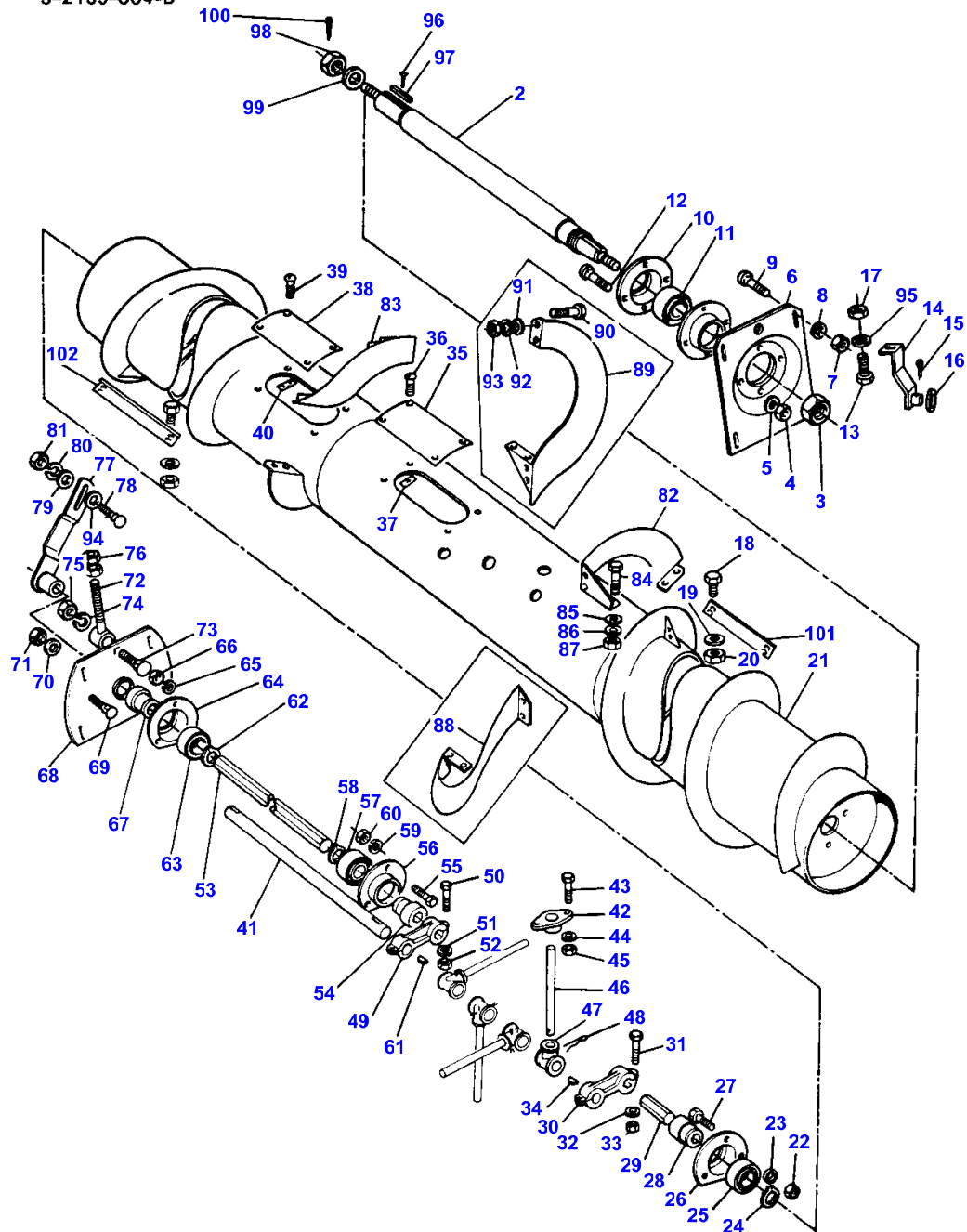
Item	Part Number	Qty	Description	Comments
53	355566X1	2	Nut Unc	(1)
54	282278M1	1	Shaft	(1) 10'
54	282279M1	1	Shaft	(1) 12'
54	282281M1	1	Shaft	(1) 14'
54	282284M1	1	Shaft	(1) 16'
54	282285M1	1	Shaft	(1) 18'
54	282286M1	1	Shaft	(1) 20'
55	261741M1	1	Collar	(1)
56	353689X1	3	Screw Unc	(1)
57	842049M1	1	Flange	(1)
58	831134M1	1	Bearing	(1)
59	350394X1	1	Ring	(1)
60	353434X1	3	Lock Washer	(1)
61	355566X1	3	Nut Unc	(1)
62	29254X	1	Woodruff Key	(1)
63	350394X1	1	Ring	(1)
64	831134M1	1	Bearing	(1)
65	842048M1	1	Flange	(1)
66	353446X1	4	Lock Washer	(1)
67	353565X1	4	Bolt Unf	(1)
68	261468M1	1	Collar	(1)
69	283723M91	1	Plate	(1)
70	365417X1	4	Bolt	(1)
71	353756X1	4	Washer	(1)
72	353434X1	4	Lock Washer	(1)
73	355566X1	4	Nut Unc	(1)
74	281079M91	1	Rod	(1)
75	364976X1	1	Bolt Unc	(1)
76	353439X1	1	Lock Washer	(1)
77	375098X1	1	Nut Unc	(1)
78	375098X1	2	Nut Unc	(1)
79	281098M91	1	Arm	(1) Up to Serial or Engine Number 1692
79	267046M91	1	Arm	(1) From Serial or Engine Number 1692
80	364246X1	1	Bolt	(1)
81	353758X1	1	Washer	(1)
82	353439X1	1	Lock Washer	(1)
83	375098X1	1	Nut Unc	(1)
84	283714M91	1	Flight	(1) Left Hand 16'18'20'
84	3034928M91	1	Flight	(1) Left Hand 10'12'14'
85	283716M91	1	Flight	(1) Right Hand 16'18'20'
85	3034930M91	1	Flight	(1) Right Hand 10'12'14'
86	353677X1	7	Screw Unc	(1)
87	353755X1	7	Washer	(1)
88	353446X1	7	Lock Washer	(1)
89	355565X1	7	Nut Unc	(1)
90	281123M91	1	Extension	Left Hand 16'18'20'
90	3034932M91	1	Flight	Left Hand 10'12'14'
91	281118M91	1	Flight	Right Hand 16'18'20'
91	3034934M91	1	Flight	Right Hand 10'12'14'
92	353677X1	12	Screw Unc	(1)
93	353755X1	12	Washer	(1)
94	353446X1	12	Lock Washer	(1)
95	355565X1	12	Nut Unc	(1)

222

AUGER  
VIS  
FRONTSCHNECKE  
COCLEA  
SINFIN

21653004

3-2165-004-B



PRINTED IN U.K.

520 525

819611-H (1)

AUGER - UNIVERSAL TABLES

Item	Part Number	Qty	Description	Comments
				UNIVERSAL TABLES
1	3034486M93	1	Auger	18'
	3034487M93	1	Auger	16'
	3034488M93	1	Auger	14'
	3034489M93	1	Auger	12'
	3034490M93	1	Auger	10'
2	3034514M2	1	Shaft	(1)
3	283675M1	1	Nut	(1)
4	375098X1	4	Nut Unc	(1)
5	353439X1	4	Lock Washer	(1)
6	3034513M1	1	Plate	(1)
7	355566X1	4	Nut Unc	(1)
8	338901X1	4	Washer	(1)
9	365417X1	4	Bolt	(1)
10	831782M1	2	Flange	(1)
11	831783M1	1	Bearing	(1)
12	365777X1	4	Bolt	(1)
13	338991X1	1	Bolt	(1)
14	3034511M91	1	Adjuster	(1)
15	354057X1	1	Pin	(1)
16	10986X	1	Washer	(1)
17	375109X1	2	Nut Unc	(1)
18	353678X1	X	Screw Unc	(1)
19	355565X1	X	Nut Unc	(1)
20	353770X1	X	Washer	(1)
21	3034495M93	1	Auger	(1) 12'
21	3034494M93	1	Auger	(1) 14'
21	3034493M93	1	Auger	(1) 16'
21	3034492M93	1	Auger	(1) 18'
21	3034496M93	1	Auger	(1) 10'
22	355566X1	3	Nut Unc	(1)
23	353434X1	3	Lock Washer	(1)
24	350394X1	1	Ring	(1)
25	831134M1	1	Bearing	(1)
26	842049M1	1	Flange	(1)
27	353689X1	3	Screw Unc	(1)
28	261741M1	1	Collar	(1)
29	261819M1	1	Shaft	(1)
30	3034497M1	1	Crank	(1)
31	353693X1	2	Screw Unc	(1)
32	353434X1	2	Lock Washer	(1)
33	355566X1	2	Nut Unc	(1)
34	29254X	1	Woodruff Key	(1)
35	231320M1	2	Cover	(1) Up to Serial or Engine Number 2697
36	231320M1	1	Cover	(1) From Serial or Engine Number 2697
36	368242X1	8	Screw	(1) Up to Serial or Engine Number 2697
37	368242X1	4	Screw	(1) From Serial or Engine Number 2697
37	365490X1	8	Nut	(1) Up to Serial or Engine Number 2697
38	365490X1	4	Nut	(1) From Serial or Engine Number 2697
38	243261M1	5	Cover	(1)
39	368242X1	20	Screw	(1)
40	365490X1	20	Nut	(1)
41	282292M1	1	Shaft	(1)
42	264067M1	13	Guide	(1)
43	353667X1	26	Screw Unc	(1)
44	353754X1	26	Washer	(1)
45	355564X1	26	Nut Unc	(1)
46	3034508M1	13	Feather.Finger	(1)

AUGER - UNIVERSAL TABLES

Item	Part Number	Qty	Description	Comments
47	3035169M1	13	Holder	(1)
48	368770X1	13	Pin	(1)
49	3034497M1	1	Crank	(1)
50	353693X1	2	Screw Unc	(1)
51	353434X1	2	Lock Washer	(1)
52	355566X1	2	Nut Unc	(1)
53	3034506M1	1	Shaft	(1) 12'
54	3034505M1	1	Shaft	(1) 14'
54	3034504M1	1	Shaft	(1) 16'
54	3034503M1	1	Shaft	(1) 18'
54	3034507M1	1	Shaft	(1) 10'
54	261741M1	1	Collar	(1)
55	353689X1	3	Screw Unc	(1)
56	842049M1	1	Flange	(1)
57	831134M1	1	Bearing	(1)
58	350394X1	1	Ring	(1)
59	353434X1	3	Lock Washer	(1)
60	355566X1	3	Nut Unc	(1)
61	29254X	1	Woodruff Key	(1)
62	350394X1	1	Ring	(1)
63	831134M1	1	Bearing	(1)
64	842048M1	1	Flange	(1)
65	353446X1	4	Lock Washer	(1)
66	353565X1	4	Bolt Unf	(1)
67	261741M1	1	Collar	(1)
68	3034509M1	1	Plate	(1)
69	365416X1	4	Bolt	(1)
70	338901X1	4	Washer	(1)
71	355566X1	4	Nut Unc	(1)
72	3034498M91	1	Rod	(1)
73	364965X1	1	Bolt Unc	(1)
74	353434X1	1	Lock Washer	(1)
75	355566X1	1	Nut Unc	(1)
76	375109X1	2	Nut Unc	(1)
77	3034501M91	1	Adjuster	(1)
78	353693X1	1	Screw Unc	(1)
79	353434X1	1	Lock Washer	(1)
80	353756X1	2	Washer	(1)
81	355566X1	1	Nut Unc	(1)
82	3034594M91	1	Extension	(1) Left Hand
83	3034592M91	1	Extension	(1)
84	353677X1	8	Screw Unc	(1)
85	353755X1	16	Washer	(1)
86	353446X1	8	Lock Washer	(1)
87	355565X1	8	Nut Unc	(1)
88	3034517M91	1	Extension	Left Hand
89	3034519M91	1	Extension	Right Hand
90	353677X1	12	Screw Unc	
91	353755X1	12	Washer	
92	353446X1	12	Lock Washer	
93	355565X1	12	Nut Unc	
94	3034510M1	1	Washer	
95	353756X1	1	Washer	
96	358679X1	1	Screw	
97	338979X1	1	Key Door	
98	3034551M1	1	Nut	
99	3034552M1	1	Washer	
100	354068X1	1	Pin	
101	3034516M2	6	Bar	Left Hand 18'
101	3034516M2	5	Bar	Left Hand 16'
101	3034516M2	4	Bar	Left Hand 14'
101	3034516M2	3	Bar	Left Hand 12'
101	3034516M2	2	Bar	Left Hand
102	3034553M2	6	Bar	Right Hand



**MASSEY FERGUSON**  
**MF 520/525 COMBINES - 819611**

**819611**

**222**

**AUGER - UNIVERSAL TABLES**

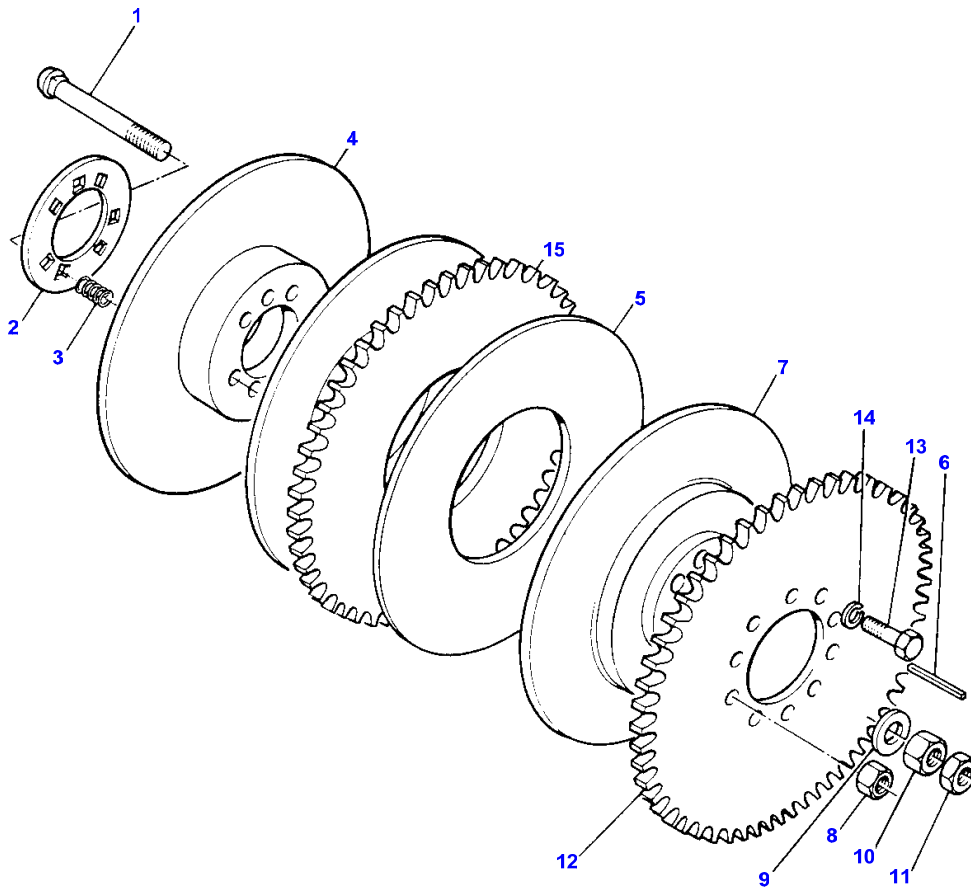
<b>Item</b>	<b>Part Number</b>	<b>Qty</b>	<b>Description</b>	<b>Comments</b>
102	3034553M2	5	Bar	Right Hand
102	3034553M2	4	Bar	Right Hand
102	3034553M2	3	Bar	Right Hand
102	3034553M2	2	Bar	Right Hand

228

CLUTCH  
EMBAYAGE  
KUPPLUNG  
FRIZIONE  
EMBRAGUE

23303001

3-2330-001-A



PRINTED IN U.K.

520 525

819611-H (1)

CLUTCH - UNIVERSAL TABLES

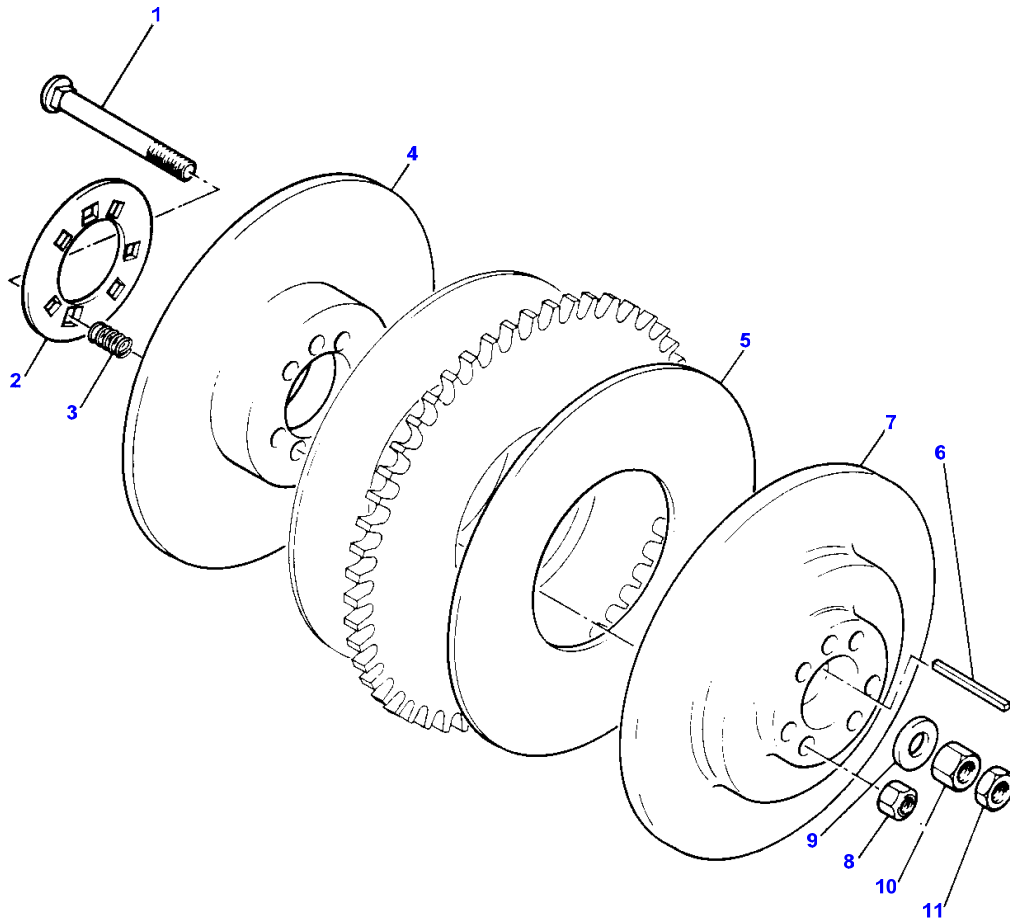
Item	Part Number	Qty	Description	Comments
				UNIVERSAL TABLES
1	365814X1	7	Bolt Unc	
2	283674M1	1	Plate	
3	230249M1	7	Spring	
4	283671M1	1	Hub	
5	283673M1	2	Facing	
6	352958X1	1	Key Parallel	
7	283672M1	1	Hub	
8	357557X1	7	Nut	
9	3034389M1	1	Washer	
10	375099X1	1	Nut Unc	
11	375112X1	1	Nut Unc	
12	3034388M1	1	Sprocket	
13	353691X1	3	Screw Unc	
14	353434X1	3	Lock Washer	
15	3034387M1	1	Sprocket	

230

CLUTCH  
EMBAYAGE  
KUPPLUNG  
FRIZIONE  
EMBRAGUE

23303002

3-2330-002-A



PRINTED IN U.K.

520 525

819611-H (1)

CLUTCH - NEW PROFILE TABLES

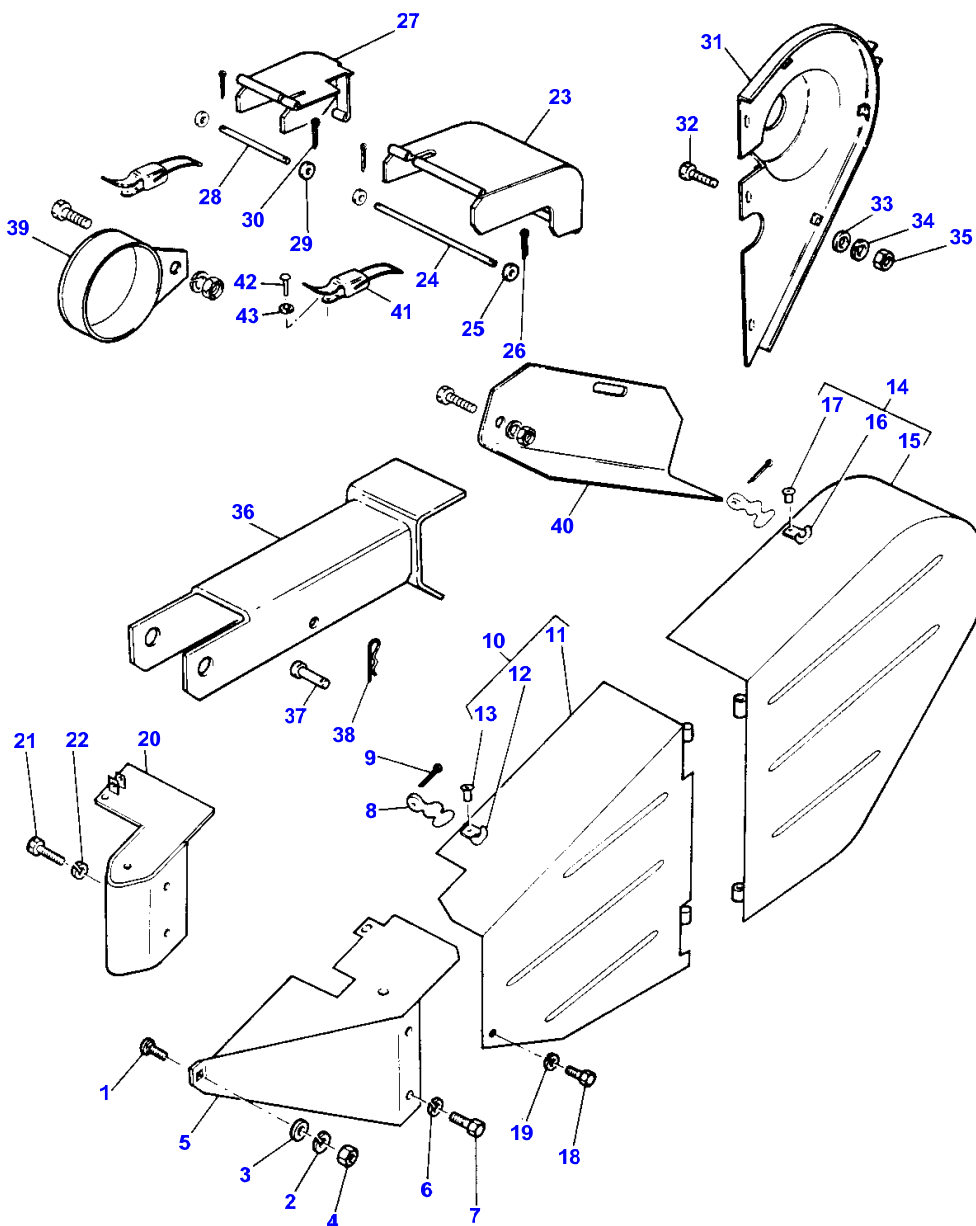
Item	Part Number	Qty	Description	Comments
				NEW PROFILE TABLES
1	364970X1	7	Bolt	
2	283674M1	1	Plate	
3	230249M1	7	Spring	
4	283671M1	1	Hub	
5	283673M1	2	Facing	
6	352958X1	1	Key Parallel	
7	282750M1	1	Hub	
8	357557X1	7	Nut	
9	785228M2	1	Washer	
10	375099X1	1	Nut Unc	
11	375112X1	1	Nut Unc	

232

GUARDS  
GARANTS  
SCHUTZBLECHE  
DIFESA  
PROTECCIONES

34203001

3-3420-001-B



PRINTED IN U.K.

520 525

819611-H (1)

GUARDS - UNIVERSAL TABLES

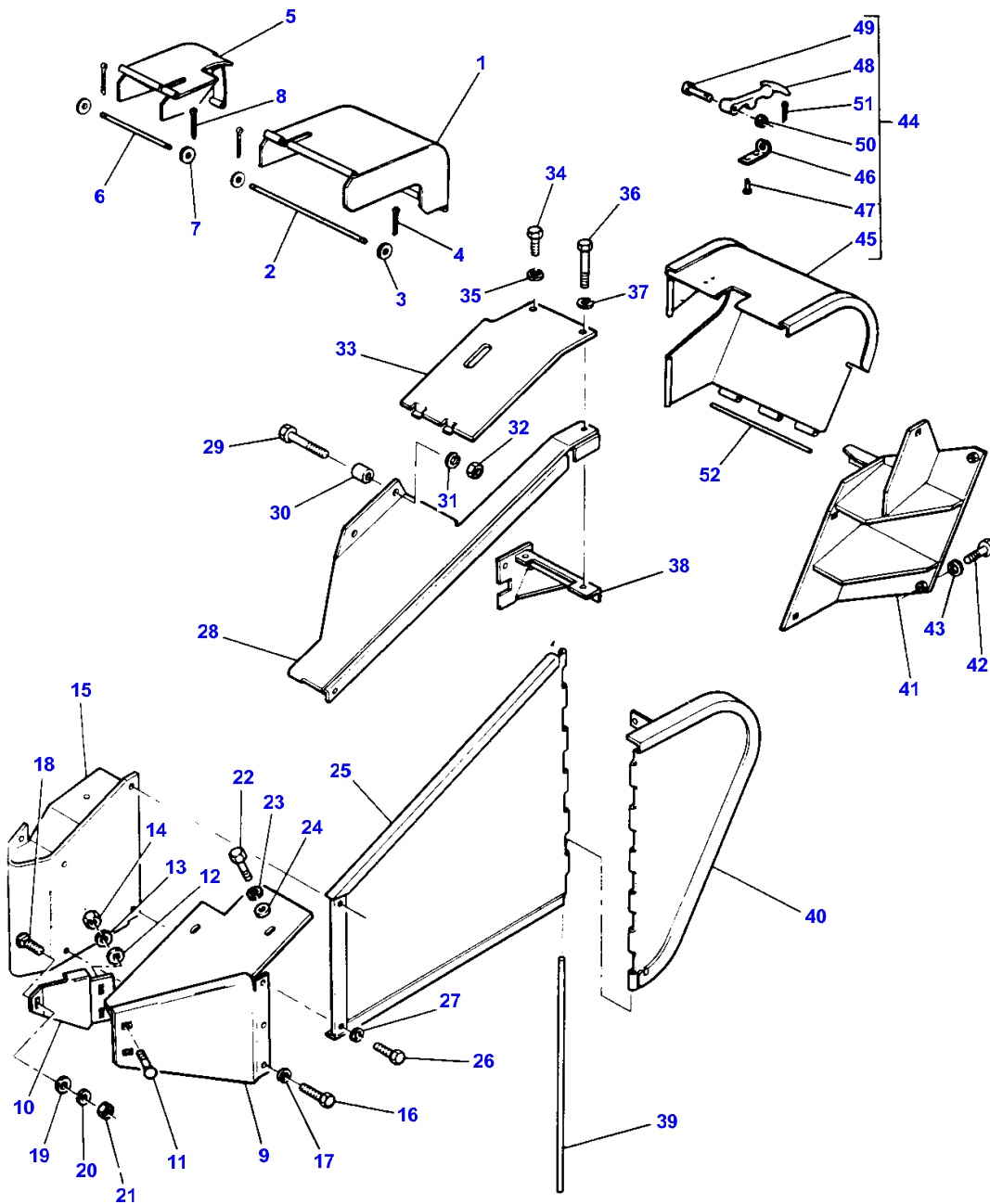
Item	Part Number	Qty	Description	Comments
UNIVERSAL TABLES				
1	375645X1	1	Bolt Unf	
2	353434X1	1	Lock Washer	
3	353756X1	1	Washer	
4	355566X1	1	Nut Unc	
5	3034433M92	1	Deflector	
6	353689X1	4	Screw Unc	
7	353756X1	4	Washer	
8	403657M1	3	Fastener	
9	354081X1	3	Pin	
10	3034436M92	1	Shield	
11		1	Guard	(10) Not serviced, order 3034 436 M92
12	403659M1	1	Angle	(10)
13	330899X1	2	Rivet	(10)
14	3034425M92	1	Shield	
15		1	Guard	(14) Not serviced, order 3034 436 M92
16	403659M1	1	Angle	(14)
17	330899X1	1	Rivet	(14)
18	353690X1	4	Screw Unc	
19	353434X1	4	Lock Washer	
20	3034442M92	1	Shield	
21	353689X1	1	Screw Unc	
22	355619X1	1	Washer	
23	282170M92	1	Shield	
24	282181M1	1	Pin	
25	353758X1	2	Washer	
26	354059X1	2	Pin	
27	282174M92	1	Shield	
28	369866X1	1	Pin	
29	353758X1	2	Washer	
30	354059X1	2	Pin	
31	3034755M93	1	Shield	
32	353666X1	3	Screw Unc	
33	353754X1	3	Washer	
34	353441X1	3	Lock Washer	
35	355564X1	3	Nut Unc	
36	3034554M91	1	Stop	Right Hand
	3034555M91	1	Stop	Left Hand
37	365629X1	2	Pin	
38	195416M1	2	Pin	
39	3034690M91	1	Shield	
40	3034722M2	1	Shield	
41	281537M1	1	Latch	
42	361005X1	2	Rivet	
43	353756X1	4	Washer	

234

GUARDS  
 GARANTS  
 SCHUTZBLECHE  
 DIFESA  
 PROTECCIONES

34203002

3-3420-002-B



PRINTED IN U.K.

520 525

819611-H (1)



GUARDS - NEW PROFILE TABLES

Item	Part Number	Qty	Description	Comments
NEW PROFILE TABLES				
1	282170M92	1	Shield	Left Hand
2	282181M1	1	Pin	
3	353758X1	2	Washer	
4	354059X1	2	Pin	
5	282174M92	1	Shield	Right Hand
6	369866X1	1	Pin	
7	353758X1	2	Washer	
8	354059X1	2	Pin	
9	3034976M92	1	Deflector	
10	3035266M91	1	Deflector	
11	365416X1	2	Bolt	
12	353280X1	2	Washer	
13	353434X1	2	Lock Washer	
14	355566X1	2	Nut Unc	
15	283081M91	1	Support	
16	353690X1	X	Screw Unc	
17	353434X1	X	Lock Washer	
18	365416X1	1	Bolt	
19	353280X1	1	Washer	
20	353434X1	1	Lock Washer	
21	353566X1	1	Bolt Unf	
22	353691X1	2	Screw Unc	
23	353434X1	2	Lock Washer	
24	353756X1	2	Washer	
25	283733M91	1	Door	
26	353690X1	X	Screw Unc	
27	353434X1	X	Lock Washer	
28	283741M92	1	Shield	
29	353897X1	1	Bolt Unc	
30	60089M1	1	Spacer	
31	353434X1	1	Lock Washer	
32	355566X1	1	Nut Unc	
33	283744M1	1	Cover	
34	353666X1	1	Screw Unc	
35	353441X1	1	Lock Washer	
36	353690X1	X	Screw Unc	
37	353434X1	X	Lock Washer	
38	283738M91	1	Angle	
39	GR 1646	1	Rod	
40	282758M91	1	Shield	
41	282762M1	1	Support	
42	353690X1	X	Screw Unc	
43	353434X1	X	Lock Washer	
44	282768M91	1	Shield	
45		1	Shield	(44) Not serviced, order 282 768 M91
46	403659M1	1	Angle	(44)
47	29017X	2	Rivet	(44)
48	403657M1	1	Fastener	(44)
49	403660M1	1	Pin	(44)
50	390146X1	1	Washer Metric	(44)
51	390147X1	1	Pin	(44)
52	365163X1	1	Pin	

236

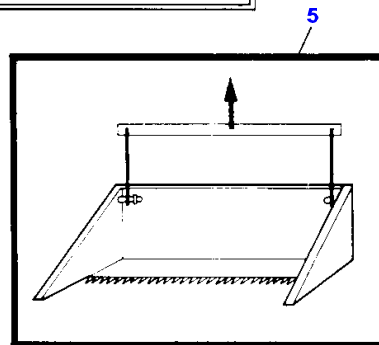
TRANSFER FOR TABLE  
 DECALCOMANIES TABLES  
 ABZIEHBILDER FUER TISCH  
 DECALCOMANIA PER TAVOLA  
 TRANSMISION PARA PLATAFORMA

33353001

3-3335-001-B

**TABLE ATHC ADJUSTMENT**

1. DROP TABLE FULLY DOWN WITH HEIGHT LEVER IN LOWEST POSITION.
2. CONNECT CABLE TO TABLE AND BACK OFF ADJUSTING NUTS ON BALL JOINTS.
3. PULL ATHC LEVELS FULLY REARWARDS.
4. ADJUST NUTS UNTIL ALL BACKLASH IS TAKEN OUT OF THE CABLE.
5. START ENGINE AND ADJUST NUTS FURTHER UNTIL THE TABLE RISES TO 1½" - 2" ABOVE THE GROUND.
6. MANUALLY OVER-RIDE THE ATHC BY PUSHING ATHC LEVER FORWARD RELEASE LEVER AND TABLE SHOULD RETURN TO 1½" - 2" ABOVE THE GROUND.



**REGLAGE DES TAPIS (TAPIS EN MARCHÉ)**

UN TAPIS NECESSITERA UN REGLAGE QUAND UN DE SES BORDS N'EST PLUS RECOUVERT PAR UN GARANT.

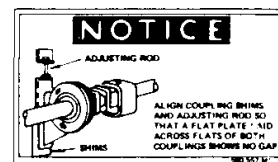
1. DESSERRER LES CONTRE-ECROUS DE BLOCAGE DU TAPIS CONSIDERE.
2. DEVISSER LE BOULON CORRESPONDANT AU COTE DU ROULEAU A PARTIR DUQUEL LE TAPIS S'EST DEPLACE.
3. VISSER LE BOULON OPPOSE AU COTE DU ROULEAU A PARTIR DUQUEL LE TAPIS S'EST DEPLACE, JUSQU'A CE QUE LE TAPIS SOIT APPROXIMATIVEMENT CENTRE SUR SON ROULEAU.
4. SERRER LE BOULON DU COTE OPPOSE LE PLUS POSSIBLE SANS AFFECTER LE CENTRAGE DU TAPIS.
5. SERRER LES DEUX CONTRE-ECROUS DE CLOPAGE DANS CETTE POSITION.

---

**CONVEYOR ADJUSTMENT (CONVEYOR RUNNING)**

A CONVEYOR WILL REQUIRE ADJUSTMENT WHEN THE CONVEYOR EDGE IS NO LONGER COVERED BY THE CONVEYOR EDGE SHIELD.

1. UNLOCK ADJUSTING BOLTS OF THE APPROPRIATE CONVEYOR.
2. SCREW - ANTICLOCKWISE - THE ADJUSTING BOLT ADJACENT TO THE END OF THE ROLLER FROM WHICH THE CONVEYOR HAS MOVED.
3. SCREW - CLOCKWISE - THE BOLT AT OPPOSITE END OF THE SAME ROLLER UNTIL THE CONVEYOR IS APPROXIMATELY POSITIONED IN THE CENTRE OF THE ROLLER.
4. TIGHTEN THE BOLT AT OPPOSITE END - CLOCKWISE - SUFFICIENTLY WITHOUT AFFECTING CENTERING OF THE CONVEYOR.
5. LOCK BOTH TIGHTENING BOLTS IN POSITION.



PRINTED IN U.K.

520 525

819611-H (1)

TRANSFER FOR TABLE - UNIVERSAL TABLES

Item	Part Number	Qty	Description	Comments
				UNIVERSAL TABLES
1	590253M3	1	Decal	For UK only or any text in English only
	590316M1	1	Label	For France only or any text in French only
	590340M1	1	Decal	For Germany only or any text in German only
	590339M1	1	Label	ESPANA
2	590357M1	1	Label	For UK only or any text in English only
	590472M1	1	Transfer	For France only or any text in French only
	590473M1	1	Transfer	For Germany only or any text in German only
	590474M1	1	Transfer	ESPANA
3	3034424M1	1	Decal	
4	1751707M1	1	Transfer	
5	787834M2	1	Decal	
6	3035272M1	1	Label	
7	590483M1	2	Plate	

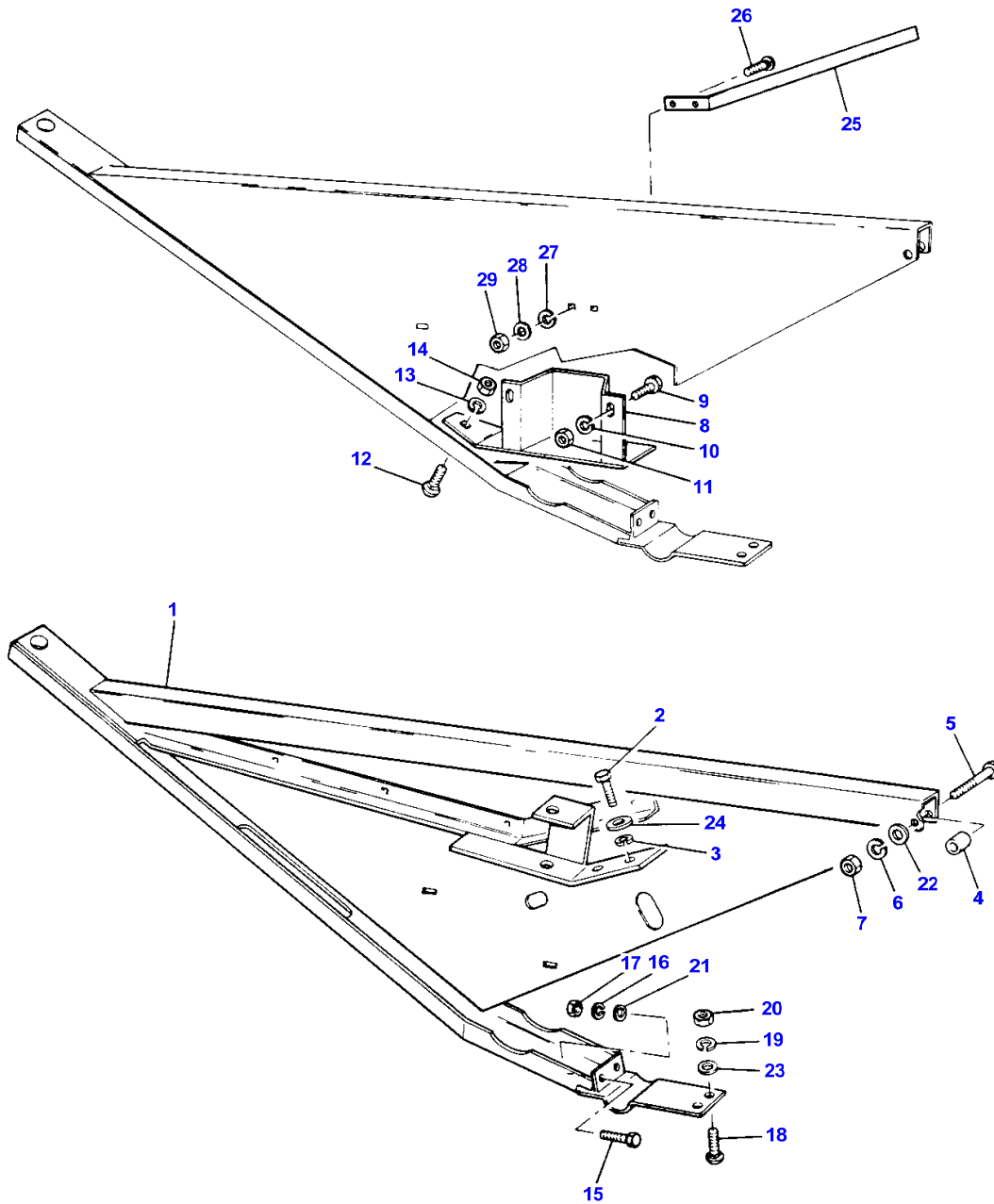
238

DIVIDERS  
 DIVISEURS  
 ABTEILER  
 DIVISORI  
 DIVISORES

SLOPING  
 RECOLTE VERSEE  
 HAUPT  
 INCLINATI  
 INCLINADOS

21993001

3-2199-001-A



PRINTED IN U.K.

520 525

819611-H (1)

DIVIDERS SLOPING - UNIVERSAL TABLES AND NEW PROFILE TABLES

Item	Part Number	Qty	Description	Comments
UNIVERSAL TABLES AND NEW PROFILE TABLES				
1	3034368M93	1	Divider	(A) Left Hand
1	3034369M94	1	Divider	(A) Right Hand
1	281581M94	1	Divider	(B) Left Hand
1	281586M95	1	Divider	(B) Right Hand
2	353691X1	8	Screw Unc	
3	353434X1	8	Lock Washer	
4	60089M1	1	Spacer	
5	353897X1	2	Bolt Unc	(B)
	353710X1	2	Bolt Unc	(A)
6	353434X1	2	Lock Washer	(B)
	353432X1	2	Lock Washer	(A)
7	353566X1	2	Bolt Unf	(B)
	355645X1	2	Nut Unc	(A)
8	264480M92	1	Bracket	
9	365417X1	2	Bolt	
10	353434X1	2	Lock Washer	
11	355566X1	2	Nut Unc	
12	365417X1	2	Bolt	
13	353434X1	2	Lock Washer	
14	355566X1	2	Nut Unc	
15	364922X1	4	Bolt	
16	353439X1	4	Lock Washer	
17	375098X1	4	Nut Unc	
18	364964X1	2	Bolt Unc	
19	353434X1	2	Lock Washer	
20	355566X1	2	Nut Unc	
21	49355X	4	Washer	
22	353756X1	2	Washer	(B)
	353771X1	4	Washer	(A)
23	353756X1	4	Washer	
24	353756X1	8	Washer	
25	3034375M1	2	Deflector	(A)
	3035124M1	2	Deflector	(B)
26	364964X1	4	Bolt Unc	
27	365675X1	4	Washer	
28	353434X1	4	Lock Washer	
29	355566X1	4	Nut Unc	

(A)  
UNIVERSAL TABLES ONLY

(B)  
NEW PROFILE TABLES ONLY

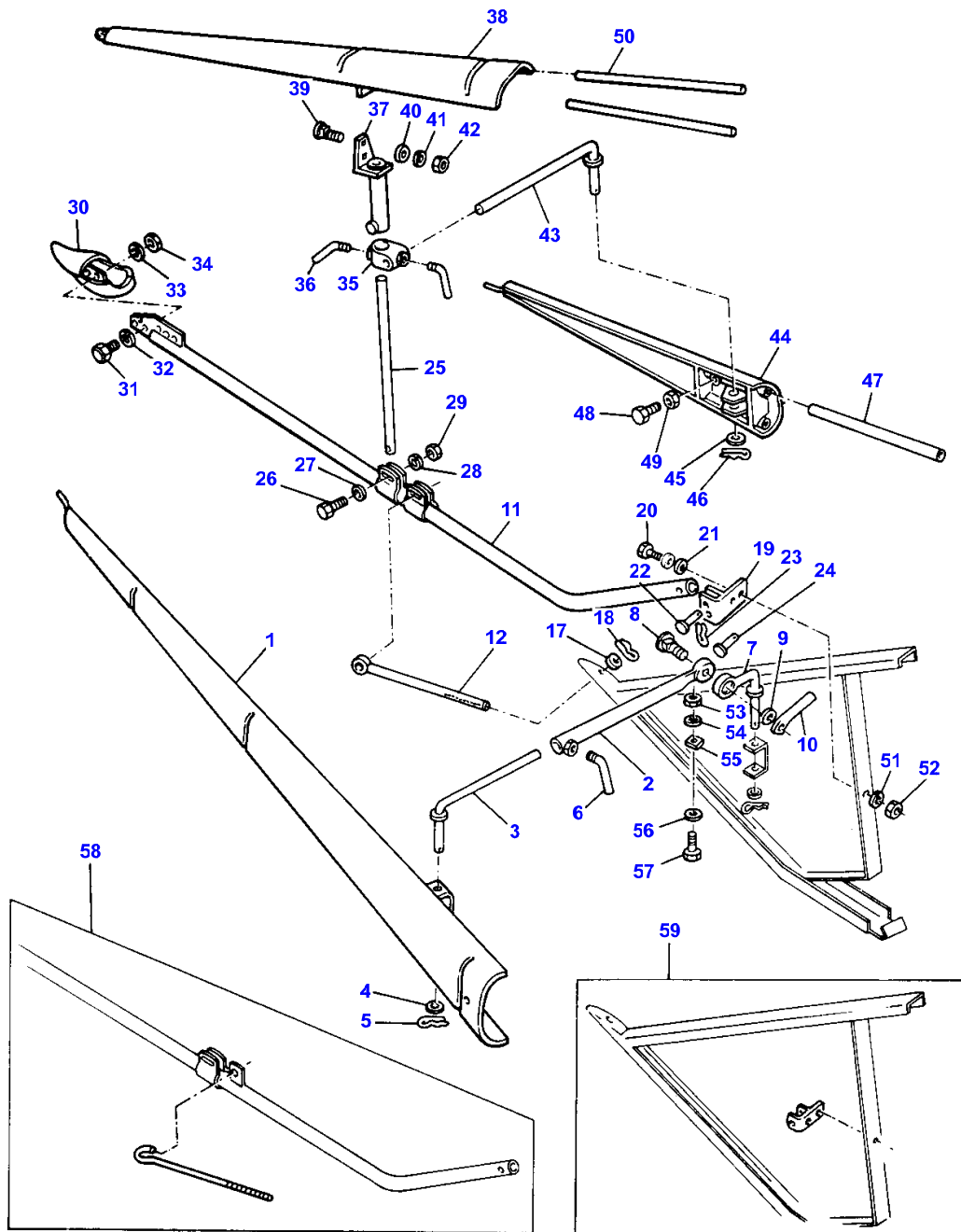
242

DIVIDERS  
 DIVISEUR  
 ABTEILER  
 DIVISORI  
 DIVISORES

HARPOON  
 HARPON  
 VORSATZ  
 TIPO ARPIONE  
 TIPO ARPON

22033001

3-2203-001-B



PRINTED IN U.K.

520 525

819611-H (1)

Item	Part Number	Qty	Description	Comments
UNIVERSAL & NEW PROFILE TABLES				
1	231914M91	2	Shield	
2	231951M93	2	Tube	
3	231953M92	2	Rod	
4	353762X1	4	Washer	
5	354068X1	4	Pin	
6	354276X1	2	Screw Unc	
7	231947M91	2	Extension	
8	364975X1	2	Bolt	
9	353439X1	2	Lock Washer	
10	231950M1	2	Handle	
11	282028M2	2	Bolt	(J,K)
12	3035119M91	2	Rod	(C,D)
13	354651X1	2	Bolt Unc	(C,D)
14	353758X1	X	Washer	
15	353439X1	X	Lock Washer	
16	375098X1	X	Nut Unc	
17	353775X1	2	Washer	
18	195636M1	2	Pin	
19	3034391M91	1	Support	(A,F) Left Hand
19	3034872M91	1	Bracket	(A,E) Left Hand
19	3034394M91	1	Support	(A,F) Right Hand
19	3034874M91	1	Bracket	(A,E) Right Hand
19	281784M92	1	Bracket	(B) Left Hand
19	281980M92	1	Bracket	(B) Right Hand
20	354276X1	4	Screw Unc	
21	353439X1	4	Lock Washer	
22	195351M1	2	Pin	(F)
	195354M1	2	Pin	(B)
23	195514M1	2	Pin	
24	267061M1	2	Pin	(E,H)
25	231939M2	2	Rod	
26	354651X1	2	Bolt Unc	
27	353758X1	4	Washer	
28	353439X1	2	Lock Washer	
29	375098X1	2	Nut Unc	
30	787082M92	2	Shoe	
31	353679X1	4	Screw Unc	
32	353755X1	2	Washer	
33	353446X1	2	Lock Washer	
34	355565X1	2	Nut Unc	
35	231955M1	2	Clamp	
36	354276X1	6	Screw Unc	
37	231937M92	2	Bracket	
38	231925M92	2	Shield	
39	364964X1	4	Bolt Unc	
40	353756X1	4	Washer	
41	353434X1	4	Lock Washer	
42	355566X1	4	Nut Unc	
43	231940M91	2	Rod	
44	231900M91	2	Shield	
45	353760X1	2	Flat Washers	
46	354059X1	2	Pin	
47	231907M1	4	Pipe	
48	353690X1	8	Screw Unc	
49	375109X1	8	Nut Unc	
50	281786M1	1	Tube	
51	353758X1	8	Washer	
52	375098X1	4	Nut Unc	
53	375098X1	2	Nut Unc	
54	353439X1	2	Lock Washer	
55	283703M1	2	Plate	
56	510776M1	2	Washer	

DIVIDERS HARPOON - UNIVERSAL & NEW PROFILE TABLES

Item	Part Number	Qty	Description	Comments
57	354276X1	2	Screw Unc	
58	282025M93	2	Tube	
59	3034391M91	1	Support	(A, F)
				(A) WITH UNIVERSAL TABLES
				(B) WITH NEW PROFILE TABLE
				(C) FROM UNIVERSAL TABLE NO 429
				(D) FROM NEW PROFILE TABLE NO. 2622
				(E) FROM UNIVERSAL TABLE NO. 224
				(F) UP TO UNIVERSAL TABLE NO. 224
				(H) FROM N.P.T 1692
				(J) UP TO UNIVERSAL TABLE NO. 429
				(K) UP TO NEW PROFILE TABLE NO. 2622



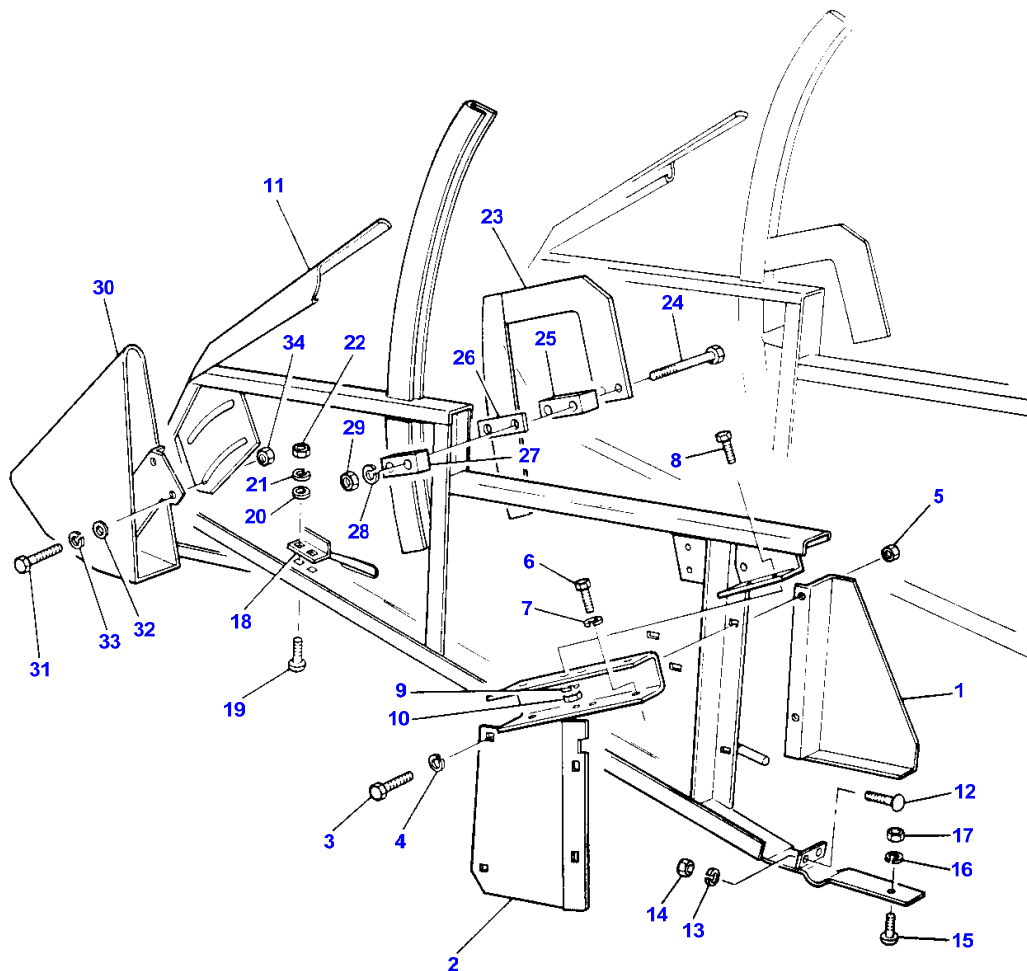
246

DIVIDERS  
 DIVISEURS  
 ABTEILER  
 DIVISORI  
 DIVISORES

TALL CROP  
 RECOLTE HAUTE  
 STANDARD  
 GRANDE RACCOLTO  
 PARA COSECHA ALTA

21983001

3-2198-001-A



PRINTED IN U.K.

520 525

819611-H (1)

DIVIDERS -TALL CROP - NEW PROFILE TABLES

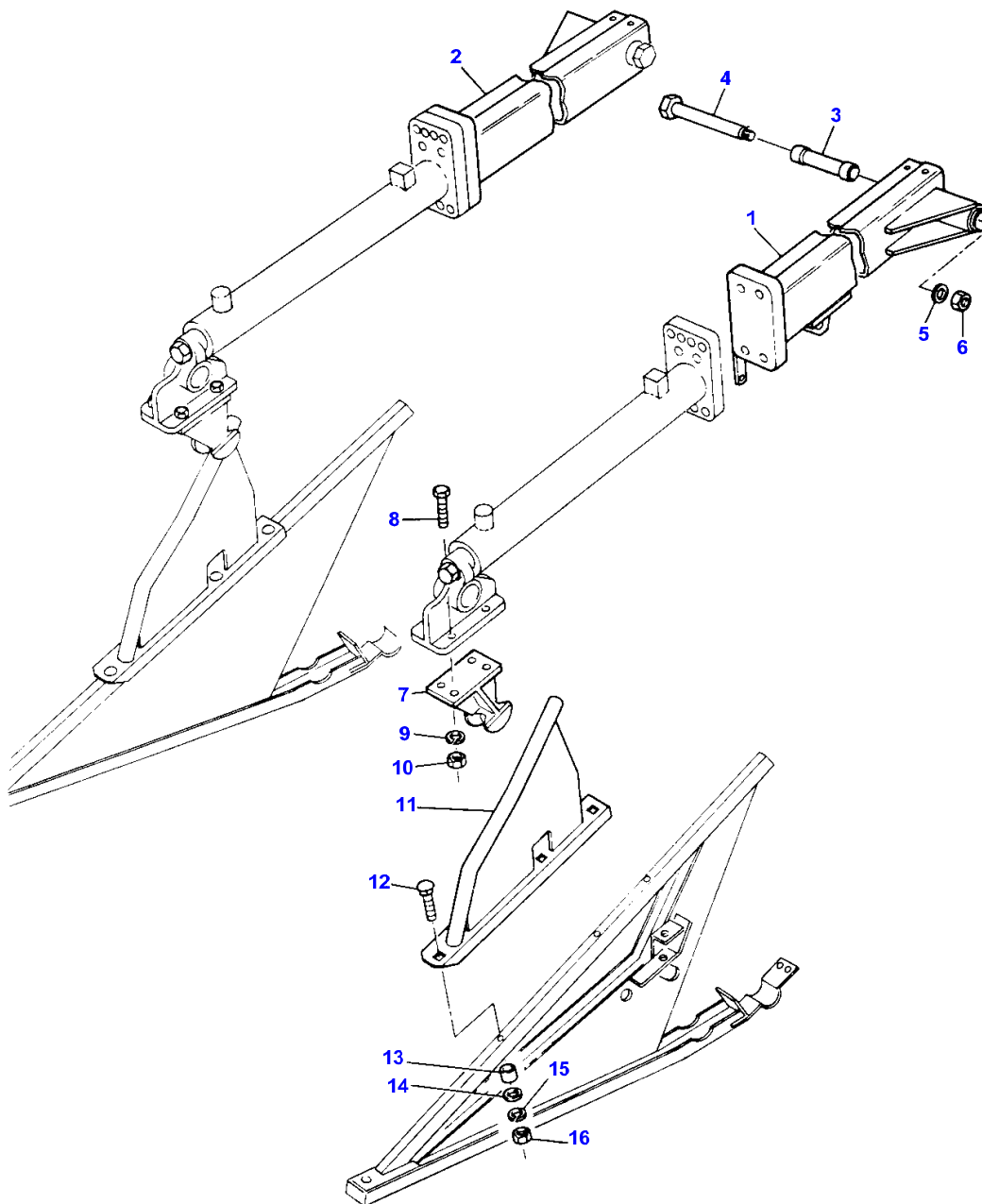
Item	Part Number	Qty	Description	Comments
NEW PROFILE TABLES				
1	282834M1	1	Shield	Right Hand
2	282826M91	1	Bracket	Left Hand
	282830M91	1	Bracket	Right Hand
3	365417X1	4	Bolt	
4	353434X1	4	Lock Washer	
5	355566X1	4	Nut Unc	
6	353690X1	2	Screw Unc	
7	353434X1	2	Lock Washer	
8	353690X1	2	Screw Unc	
9	353434X1	2	Lock Washer	
10	355566X1	2	Nut Unc	
11	282790M91	1	Divider	Left Hand
	282803M91	1	Divider	Right Hand
12	364922X1	2	Bolt	
13	353439X1	2	Lock Washer	
14	375098X1	2	Nut Unc	
15	364964X1	2	Bolt Unc	
16	353434X1	2	Lock Washer	
17	355566X1	3	Nut Unc	
18	404562M92	1	Tube	Left Hand
	404461M92	1	Tube	Right Hand
19	364954X1	4	Bolt	
20	353755X1	4	Washer	
21	353446X1	4	Lock Washer	
22	355565X1	4	Nut Unc	
23	282823M91	2	Guide	
24	354663X1	2	Screw	
25	282209M1	1	Spacer	Left Hand
	282825M1	1	Spacer	Right Hand
26	370236X1	1	Strap	
27	151410M1	2	Spacer	
28	353439X1	2	Lock Washer	
29	375098X1	2	Nut Unc	
30	282812M91	1	Shoe	Left Hand
	282816M91	1	Shoe	Right Hand
31	354276X1	2	Screw Unc	
32	353758X1	2	Washer	
33	353439X1	2	Lock Washer	
34	375098X1	2	Nut Unc	

248

REEL ARMS AND SLOPE ASSEMBLIES  
 BRAS DE RABATTEUR  
 HASPELTRAGARME  
 BRACCI PER ASPO  
 BRAZOS DE MOLINETE

21083001

3-2106-001-B



PRINTED IN U.K.

520 525

819611-H (1)

**MASSEY FERGUSON  
MF 520/525 COMBINES - 819611**

**819611**

**248**

**REEL ARMS AND SLOP ASSEMBLIES - UNIVERSAL TABLES**

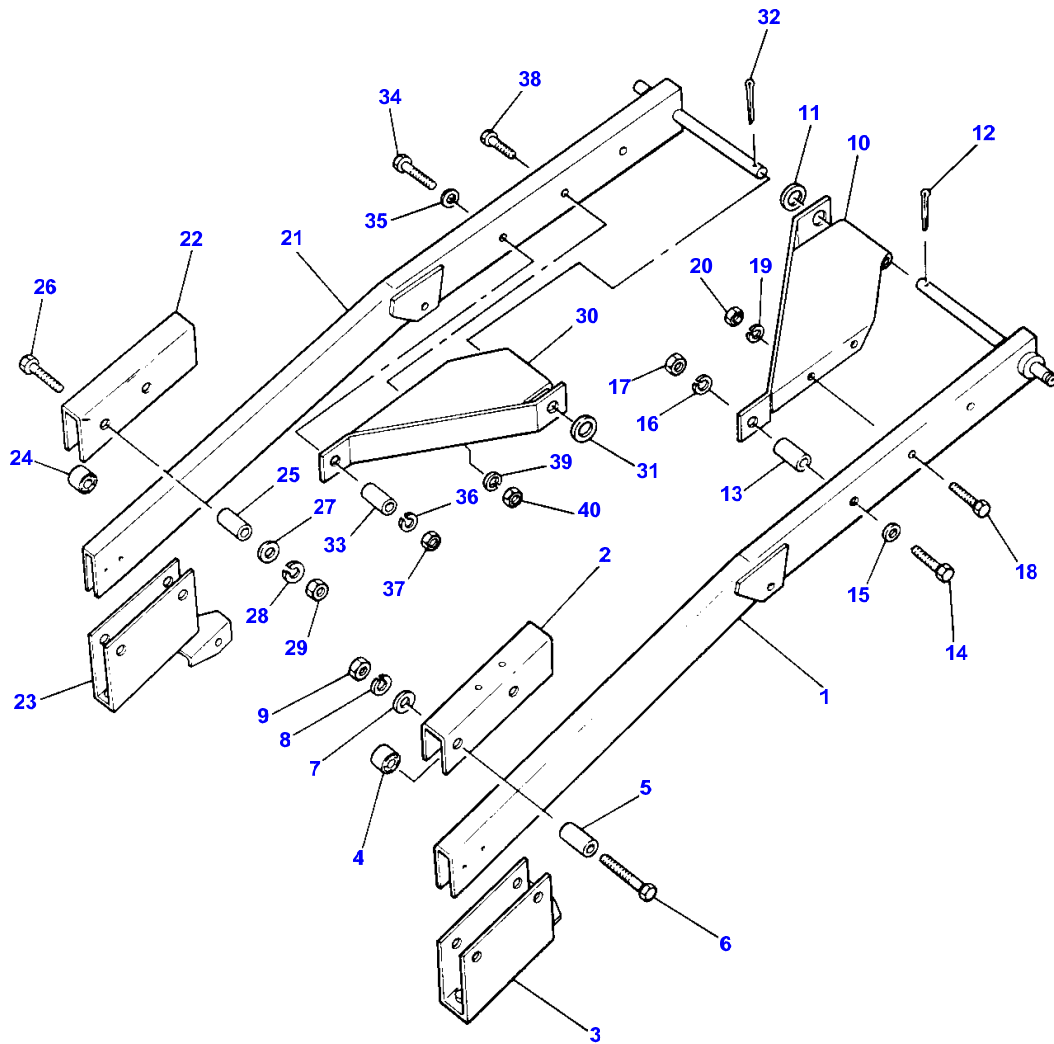
<b>Item</b>	<b>Part Number</b>	<b>Qty</b>	<b>Description</b>	<b>Comments</b>
				UNIVERSAL TABLES
1	3034337M93	1	Arm	Left Hand
2	3034336M93	1	Arm	Right Hand
3	3034423M91	2	Spacer	
4	3034422M1	2	Shaft	
5	355327X1	2	Washer	
6	375102X1	2	Nut Unc	
7	3034475M92	1	Skid	Left Hand
	3034476M92	1	Skid	Right Hand
8	354264X1	8	Bolt Unc	
9	353756X1	8	Washer	
	353434X1	8	Lock Washer	
10	355566X1	8	Nut Unc	
11	3034480M91	1	Slipper	Left Hand
12	3034481M91	1	Slipper	Right Hand
	364971X1	6	Bolt Unc	
13	363247X1	6	Spacer	
14	353757X1	6	Washer	
15	353432X1	6	Lock Washer	
16	355645X1	6	Nut Unc	

250

REEL LIFT ARMS AND PULLEY  
 BRAS DE RELEVAGE RABATTEUR ET POULIE  
 HASPELTRAGARME UND RIEMENSCHNUR  
 BRACCI SOLLEVAMENTO ASPO E PULEGGIA  
 LEVANTAMIENTO BRAZOS MOLINETE Y POLEA

21503003

3-2150-003-A



PRINTED IN U.K.

520 525

819611-H (1)

REEL LIFT ARMS AND PULLEY - NEW PROFILE TABLES

Item	Part Number	Qty	Description	Comments
NEW PROFILE TABLES				
1	283661M91	1	Arm	
2	281439M91	1	Channel	
3	281422M92	1	Channel	Left Hand
4	281429M1	2	Roller	
5	70383M1	2	Spacer	
6	354268X1	2	Bolt Unc	
7	355619X1	4	Washer	
8	353434X1	2	Lock Washer	
9	355566X1	2	Nut Unc	
10	281437M91	1	Cover	Left Hand
11	355327X1	1	Washer	
12	354080X1	1	Pin	
13	366769X1	1	Spacer	
14	354655X1	1	Bolt Unc	
15	353758X1	1	Washer	
16	353439X1	1	Lock Washer	
17	375098X1	1	Nut Unc	
18	354269X1	2	Bolt Unc	
19	353434X1	2	Lock Washer	
20	355566X1	2	Nut Unc	
21	281430M92	1	Arm	Right Hand
22	281439M1	1	Channel	
23	283660M92	1	Channel	Right Hand
24	281429M1	2	Roller	
25	70383M1	2	Spacer	
26	354268X1	2	Bolt Unc	
27	355619X1	4	Washer	
28	353434X1	2	Lock Washer	
29	353566X1	2	Bolt Unf	
30	281434M91	1	Cover	Right Hand
31	355327X1	1	Washer	
32	354080X1	1	Pin	
33	366769X1	1	Spacer	
34	354655X1	1	Bolt Unc	
35	353758X1	1	Washer	
36	353439X1	1	Lock Washer	
37	375098X1	1	Nut Unc	
38	354269X1	2	Bolt Unc	
39	353434X1	2	Lock Washer	
40	355566X1	2	Nut Unc	

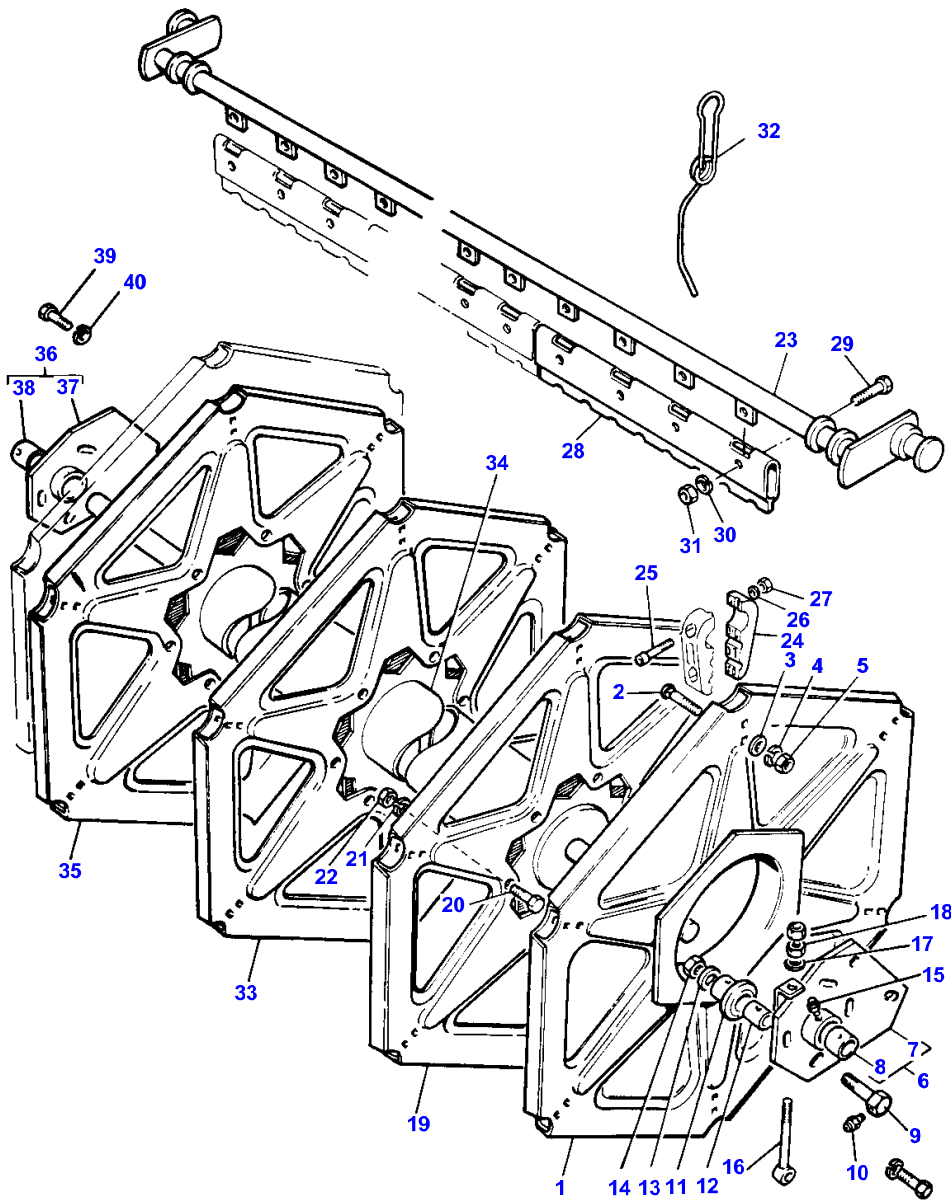
252

REEL  
RABATTEUR  
HASPEL  
ASPO  
MOLINETE

CONTROL HEADS  
TETES DE COMMANDE  
STEURKRANZ  
TESTE DI COMMANDE  
CABEZAS DE MANDO

21073001

3-2107-001-A



PRINTED IN U.K.

520 525

819611-H (1)

Item	Part Number	Qty	Description	Comments
				UNIVERSAL & NEW PROFILE TABLES
1	3034012M92	1	Spider	10'12'14'
	3034012M92	2	Spider	16'18'20'
2	364533X1	X	Bolt	
3	353446X1	X	Lock Washer	
4	355565X1	X	Nut Unc	
5	3034091M93	1	Plate	Left Hand
6		1	Plate	(5) Not serviced, order 3034 091 M93
7	3034096M1	1	Bearing	(5)
8	3034120M1	3	Bolt	10'12'14'
	3034120M1	6	Bolt	16'18'20'
9	13811X	3	Grease Nipple	10'12'14'
	13811X	6	Grease Nipple	16'18'20'
10	353774X1	6	Washer	10'12'14'
	353774X1	12	Washer	16'18'20'
11	913480M2	3	Roller	10'12'14'
	913480M2	6	Roller	16'18'20'
12	913482M1	3	Spacer	10'12'14'
	913482M1	6	Spacer	16'18'20'
13	353774X1	3	Washer	10'12'14'
	353774X1	6	Washer	16'18'20'
14	360262X1	3	Nut	10'12'14'
	360262X1	6	Nut	16'18'20'
15	13811X	1	Grease Nipple	10'12'14'
	13811X	2	Grease Nipple	16'18'20'
16	3034098M92	1	Rod	10'12'14'
	3034098M92	2	Rod	16'18'20'
17	353755X1	1	Washer	10'12'14'
	353755X1	2	Washer	16'18'20'
18	375109X1	2	Nut Unc	10'12'14'
	375109X1	4	Nut Unc	16'18'20'
19	3034050M91	1	Spider	
20	354262X1	X	Bolt Unc	
21	353434X1	X	Lock Washer	
22	355566X1	X	Nut Unc	
23	3034016M91	6	Bar	10'
	3034017M91	6	Bar	12'
	3034019M91	6	Bar	14'
	3034021M91	6	Bar	16'
	3034022M91	6	Bar	18'
	3034023M91	6	Bar	20'
24	911692M1	48	Bearing	10'12'14'
	911692M1	72	Bearing	16'
	911692M1	84	Bearing	18'20'
25	353983X1	X	Screw Unf	
26	22427X	X	Lock Washer	
27	354120X1	X	Nut	
28	3034041M91	12	Batt	18'
	3034042M91	12	Batt	10'16'18'
	3034042M91	24	Batt	20'
	3034043M91	12	Batt	12'
	3034043M91	6	Batt	16'
	3034044M91	12	Batt	
29	353681X1	X	Bolt Unc	
30	353446X1	X	Lock Washer	
31	355565X1	X	Nut Unc	
32	3034040M1	152	Reel Tine	10'
	3034040M1	174	Reel Tine	12'
	3034040M1	186	Reel Tine	14'
	3034040M1	228	Reel Tine	16'
	3034040M1	240	Reel Tine	18'
	3034040M1	276	Reel Tine	20'
33	3034051M91	1	Spider	10'12'14'
	3034051M91	2	Spider	16'
	3034051M91	3	Spider	18'20'
34	3034056M92	1	Tube	10'
	3034057M92	1	Tube	12'
	3034059M91	1	Tube	14'



<b>Item</b>	<b>Part Number</b>	<b>Qty</b>	<b>Description</b>	<b>Comments</b>
34	3034061M92	1	Shaft	16'
34	3034062M91	1	Tube	18'
34	3034063M91	1	Tube	20'
35	3034050M91	2	Spider	
36	3034092M93	1	Plate	Right Hand 16'18'20'
37		1	Plate	(36) Not serviced, order 3034 092 M93
38	3034096M91	1	Bearing	(36)
39	353677X1	6	Screw Unc	
40	353446X1	6	Lock Washer	

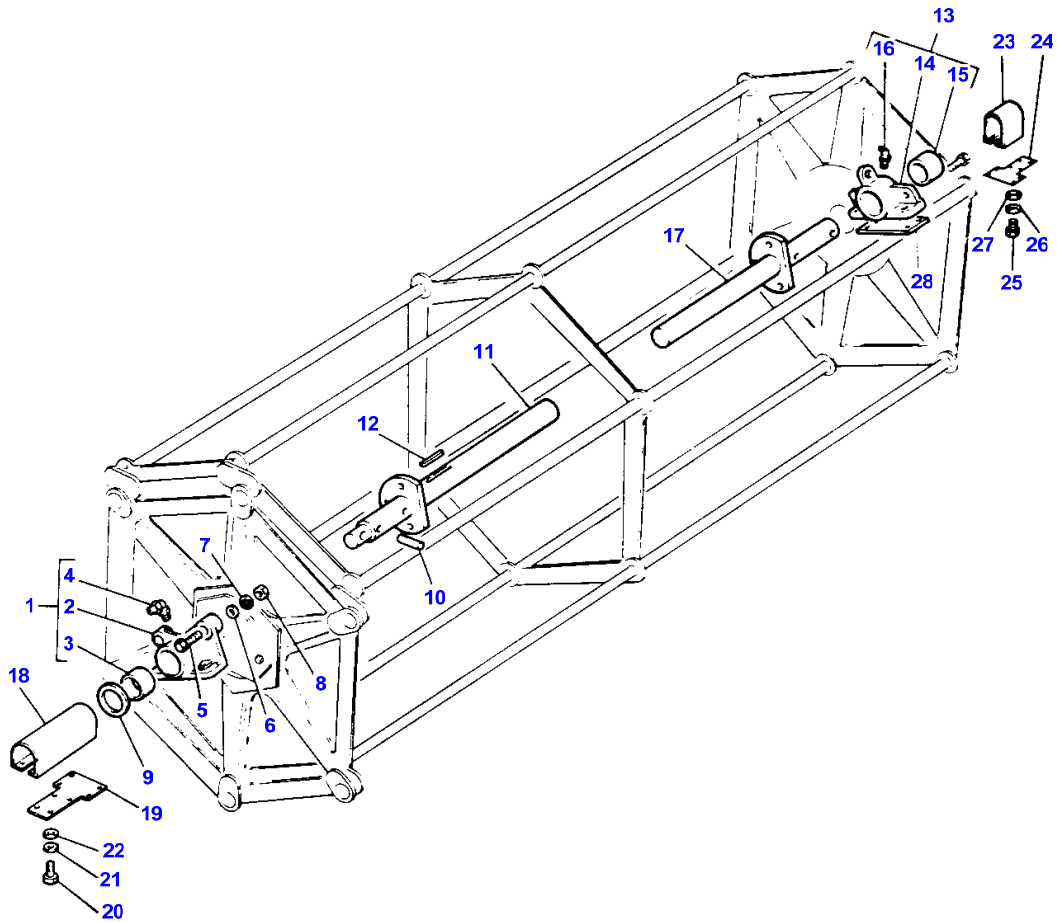
256

REEL  
RABATTEUR  
HASPEL  
ASPO  
MOLINETE

DRIVING SHAFTS  
ARBRES DE COMMANDE  
ANTRIEBSWELLEN  
ALBERI DI COMMANDO  
EJES DE MANDO

21083001

3-2108-001-B



PRINTED IN U.K.

520 525

819611-H (1)

REEL DRIVING SHAFTS AND BEARING SUPPORTS - UNIVERSAL TABLES

Item	Part Number	Qty	Description	Comments
UNIVERSAL TABLES				
1	3034545M92	1	Bearing	Left Hand
2		1	Bearing	(1) Not serviced, order 3034 545 M92
3	640125M1	2	Bearing	(1)
4	13811X	1	Grease Nipple	(1)
5	354273X1	4	Bolt Unc	
6	338831X1	4	Washer	
7	353756X1	4	Washer	
8	355566X1	4	Nut Unc	
9	637421M1	X	Washer	
10	354095X1	2	Pin	
11	3034543M91	1	Shaft	
12	350390X1	1	Key	
13	3034549M92	1	Bearing	Right Hand 10',12',14'
	3034547M92	1	Bearing Carrier	Right Hand 16',18'
14		1	Bearing	(12) Not serviced, order 3034 549 M92 /3034 547 M92
15	640125M1	2	Bearing	(12)
16	13811X	1	Grease Nipple	(12)
17	3034119M91	1	Shaft	10'
	3034103M91	1	Shaft	12',14',16', 18'
18	3034582M91	1	Cowl	
19	3034581M1	1	Plate	Left Hand
20	353667X1	4	Screw Unc	
21	353754X1	4	Washer	
22	353441X1	4	Lock Washer	
23	3034588M92	1	Cowl	Right Hand 10'
	3034575M91	1	Guard	Right Hand 12',14'
	3034579M91	1	Cowl	Right Hand 16',18'
24	3034587M1	1	Plate	Right Hand 10'
	3034574M1	1	Plate	Right Hand 12',14'
	3034578M1	1	Plate	Right Hand 16',18'
25	353667X1	X	Screw Unc	
26	353754X1	X	Washer	
27	353441X1	X	Lock Washer	
28	3034420M1	1	Plate	

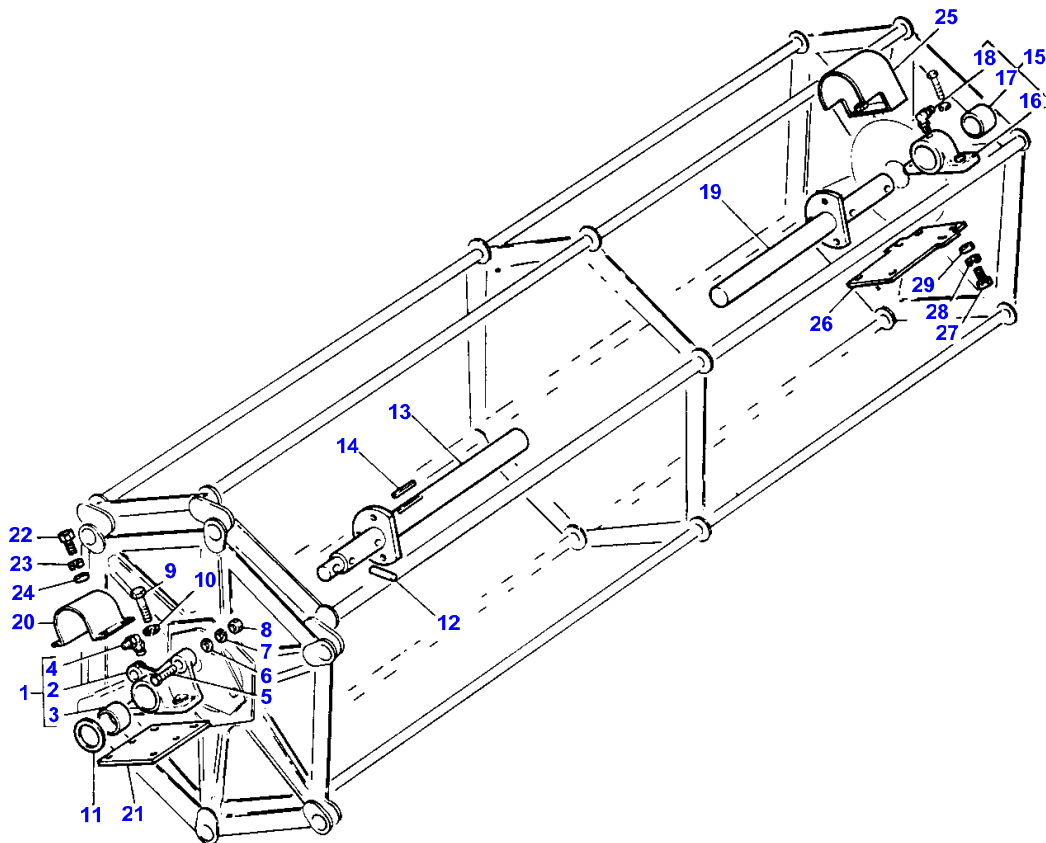
258

REEL  
RABATTEUR  
HASPEL  
ASPO  
MOLINETE

DRIVING SHAFTS  
ARBRES DE COMMANDE  
ANTRIEBSWELLEN  
ALBERI DI COMMANDO  
EJES DE MANDO

21083002

3-2108-002-B



PRINTED IN U.K.

520 525

819611-M (1)

REEL DRIVING SHAFTS AND BEARING SUPPORTS

Item	Part Number	Qty	Description	Comments
1	3034106M92	1	Bearing	Left Hand
2		1	Bearer	(1) Not serviced, order 3034 106 M92
3	640125M1	2	Bearing	(1)
4	13811X	1	Grease Nipple	(1)
5	354266X1	4	Bolt Unc	
6	353771X1	4	Washer	
7	353434X1	4	Lock Washer	
8	355566X1	4	Nut Unc	
9	353693X1	4	Screw Unc	
10	353434X1	4	Lock Washer	
11	637421M1	X	Washer	
12	354095X1	2	Pin	
13	3034101M91	1	Shaft	(A)
	3034840M91	1	Shaft	(B)
14	350390X1	1	Key	
15	3034110M91	1	Bearing	Right Hand 10'12'14'
	3034108M92	1	Bearing	Right Hand 16'18'20'
16		1	Bearer	(15) Not serviced, order REF. 15
17	640125M1	2	Bearing	(15)
18	850778M1	1	Nipple	(15)
19	3034119M91	1	Shaft	10'
	3034103M91	1	Shaft	12'14'16'18'20'
20	3034570M1	1	Shield	Left Hand
21	3034590M91	1	Plate	Left Hand
22	353667X1	4	Screw Unc	
23	353754X1	4	Washer	
24	353441X1	4	Lock Washer	
25	3034586M91	1	Shield	Right Hand 10'
	3034561M91	1	Shield	Right Hand 12'14'
	3034565M91	1	Shield	Right Hand 16'18'20'
26	3034584M1	1	Plate	Right Hand 10'
	3034560M1	1	Plate	Right Hand 12'14'
	3034564M1	1	Plate	Right Hand 16'18'20'
27	353667X1	4	Screw Unc	
28	353754X1	4	Washer	
29	353754X1	4	Washer	

(A)  
UP TO TABLE NO 1090

(B)  
FROM TABLE NO 1090

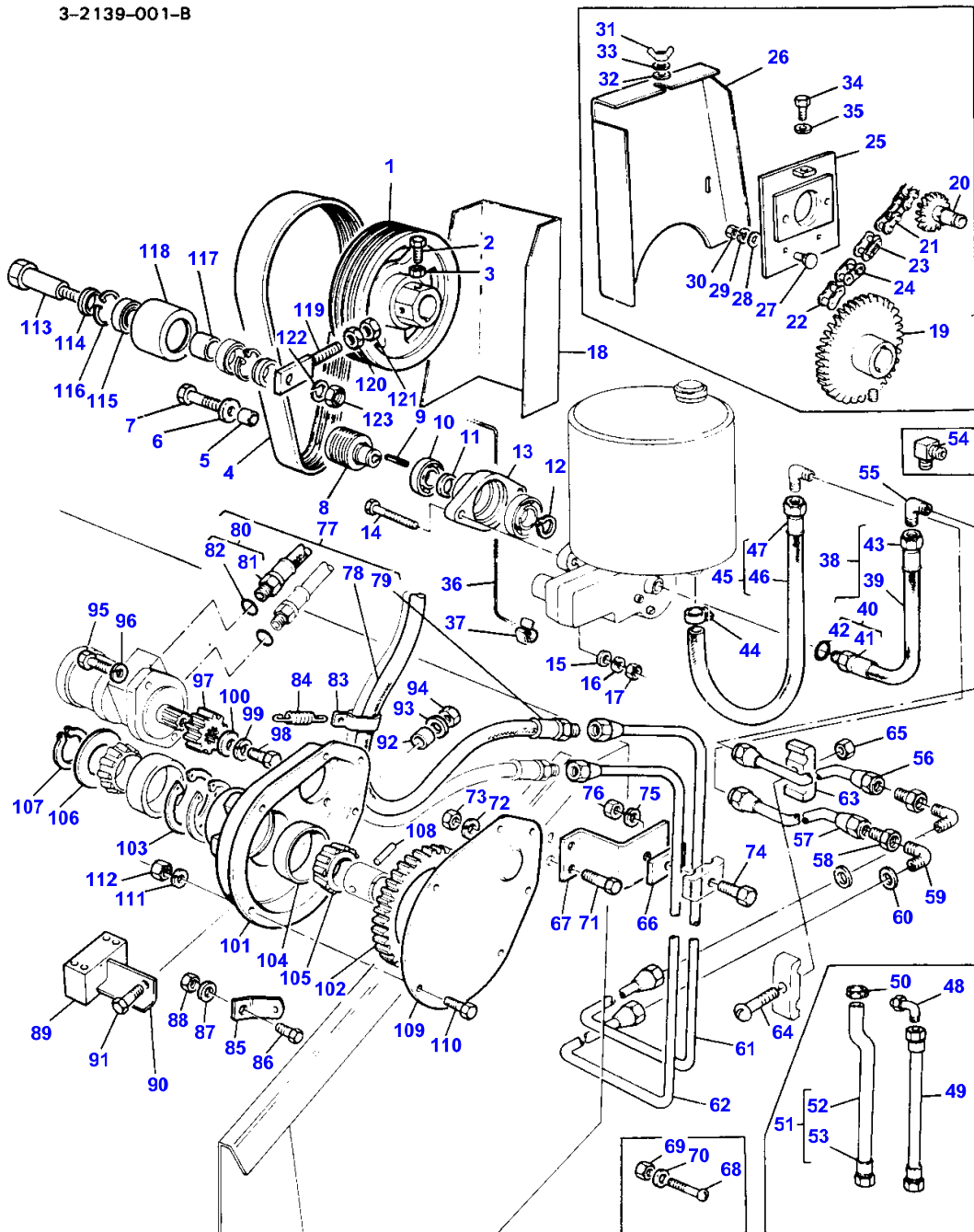
260

REEL  
RABATTEUR  
HASPEL  
ASPO  
MOLINETE

HYDROSTATIC DRIVE  
COMMANDE-HYDROSTATIQUE  
HASPELANTRIEB-HYDROSTATISCH  
COMMANDE-IDROSTATICA  
MANDO DE MOLINETE

21383001

3-2139-001-B



PRINTED IN U.K.

520 525

819611-H (1)

REEL HYDROSTATIC DRIVE

Item	Part Number	Qty	Description	Comments
1	282671M2	1	Pulley	(A)
2	353750X1	2	Screw Unc	
3	375109X1	2	Nut Unc	
4	843313M1	1	Belt	(A)
5	3371981M1	1	Spacer	
6	363332X1	1	Washer	
7	353673X1	1	Bolt Unc	
8	267179M2	1	Pulley	(A)
9	364764M1	1	Key	
10	834313M1	2	Bearing	
11	371333X1	1	Spacer	
12	352699X1	1	Ring	
13	267178M1	1	Housing	
14	354273X1	2	Bolt Unc	
15	353756X1	2	Washer	
16	353434X1	2	Lock Washer	
17	355566X1	2	Nut Unc	
18	264803M92	1	Shield	(A)
19	3049307M91	1	Pinion	(B)
20	3049312M92	1	Sprocket	(B)
21	3049311M91	1	Chain	(B)
				21.5"-547MM
22	329202M91	32	Link	(21)
				(B)
23	329206M91	1	Link	(21)
				(B)
24	329210M91	2	Cranked Link	(21)
				(B)
25	3049315M91	1	Plate	(B)
26	3049314M1	1	Shield	(B)
27	364964X1	2	Bolt Unc	(B)
28	353756X1	2	Washer	(B)
29	353434X1	2	Lock Washer	(B)
30	355566X1	2	Nut Unc	(B)
31	355583X1	3	Nut Unf	(B)
32	353755X1	3	Washer	(B)
33	353446X1	3	Lock Washer	(B)
34	353546X1	1	Screw	(B)
35	353434X1	1	Lock Washer	(B)
36	1616898M1	1	Cable	
37	882659M1	2	Fastener	
38	843577M91	1	Hose	(A,C)
39		1	Hose	(38)
				(G)
				15.5"-394MM
40	1895152M92	1	Union	(38)
				(A)
41		1	Union	(40)
				(A)
				Not serviced, order 1895 152 M92
42	1889504M1	1	O Ring	(40)
				(B)
				28"-711MM
43	1888500M2	1	Union	(38)
				(A)
44	364124X1	1	Clamp	(A)
45	843301M1	1	Hydr.Hose Assy.	(A,C)
46		1	Hose	(45)
				(F)
				30-52"-775MM
47	1888500M2	1	Union	(45)
48	358762X91	1	Elbow	(B)
49	3049327M91	1	Hose	(B)
50	364124X1	1	Clamp	
51	843301M1	1	Hydr.Hose Assy.	(C)
52		1	Hose	(51)
				(F)
				30.52"-775MM
53	1888500M2	1	Union	(51)
54	364279X1	2	Elbow	10'

**MASSEY FERGUSON  
MF 520/525 COMBINES - 819611**

819611

260

**REEL HYDROSTATIC DRIVE**

Item	Part Number	Qty	Description	Comments
55	356376X1	2	Elbow	(A) 12'14'16'18'
56	3034775M91	1	Tube	(B) 28"-711MM
56	3034773M91	1	Tube	
56	3034771M91	1	Tube	
56	3034769M91	1	Tube	18'
57	3034766M91	1	Tube	12'
57	3034764M91	1	Tube	14'
57	3034762M91	1	Tube	16'
57	3034760M91	1	Tube	18'
58	356614X1	2	Nut Unf	
59	353762X1	2	Washer	
60	361194X1	2	Elbow	
61	3034779M91	1	Tube	
62	3034777M91	1	Tube	
63	264807M1	1	Clamp	10'
63	264807M1	3	Clamp	12'
63	264807M1	2	Clamp	14'16'18'
64	355140X1	1	Screw Unc	12'
65	365180X1	1	Nut	12'
66	264806M1	2	Pad	
67	264808M1	1	Bracket	
68	355146X1	1	Screw Unc	12'14'16'18'
69	353441X1	1	Lock Washer	12'14'16'18'
70	365180X1	1	Nut	12'14'16'18'
71	353677X1	2	Screw Unc	
72	353446X1	2	Lock Washer	
73	355565X1	2	Nut Unc	
74	353687X1	1	Bolt Unc	
75	353446X1	1	Lock Washer	
76	355565X1	1	Nut Unc	
77	3034409M91	2	Hose	(C)
78	1895178M2	1	Union	(77)
79		1	Hose	(77) (G) 54.77"-1391MM
80	1895176M92	1	Union	(77)
81		1	Union	(80) Not serviced, order 1895 176 M92
82	1889505M1	1	Seal	(80)
83	264801M1	1	Clamp	
84	175045M1	1	Spring	
85	3034417M1	1	Collar	
86	353689X1	1	Screw Unc	
87	353434X1	1	Lock Washer	
88	355566X1	1	Nut Unc	
89	3034411M91	1	Support	
90	3034420M1	1	Plate	
91	353683X1	1	Bolt Unc	
92	366970X1	1	Spacer	
93	355618X1	1	Washer	
94	355565X1	1	Nut Unc	
95	353724X1	2	Screw Unc	
96	353439X1	2	Lock Washer	
97	282672M1	1	Gear	
98	353666X1	1	Screw Unc	
99	353441X1	1	Lock Washer	
100	363332X1	1	Washer	
101	282667M1	1	Housing	
102	282670M1	1	Gear	
103	355832X1	2	Snapping	
104	834999M1	2	Cup	
105	834998M1	2	Cone	
106	370225X1	1	Washer	
107	762101M1	1	Ring	
108	357679X1	1	Pin	
109	282668M1	1	Cover	
110	353667X1	6	Screw Unc	
111	353446X1	6	Lock Washer	



REEL HYDROSTATIC DRIVE

Item	Part Number	Qty	Description	Comments
112	355565X1	6	Nut Unc	
113	264991M1	1	Bolt	(A,D) Up to Serial or Engine Number 524
113	3370125M1	1	Bolt	(A,E) From Serial or Engine Number 524
114	267022M1	2	Spacer	(A)
115	832778M1	2	Bearing	(A)
116	208230M1	2	Ring	(A)
117	264992M1	1	Spacer	(A)
118	264990M1	1	Idler	(A)
119	267003M92	1	Stud	(A)
120	375098X1	1	Nut Unc	(A)
121	375111X1	1	Nut Unc	(A)
122	353439X1	1	Lock Washer	(A)
123	375038X1	1	Nut	(A)
				(A) RICE MACHINES EXCEPTED
				(B) RICE MACHINES
				(C) NOT SERVICED,USE DETAILS
				(D) USE ONLY WITH 282 513 M95
				(E) USE ONLY WITH 282 513 M96
				(F) CUT FROM 30M LENGTH 1891 167 M1
				(G) CUT FROM 30M LENGTH 1888 630 M1

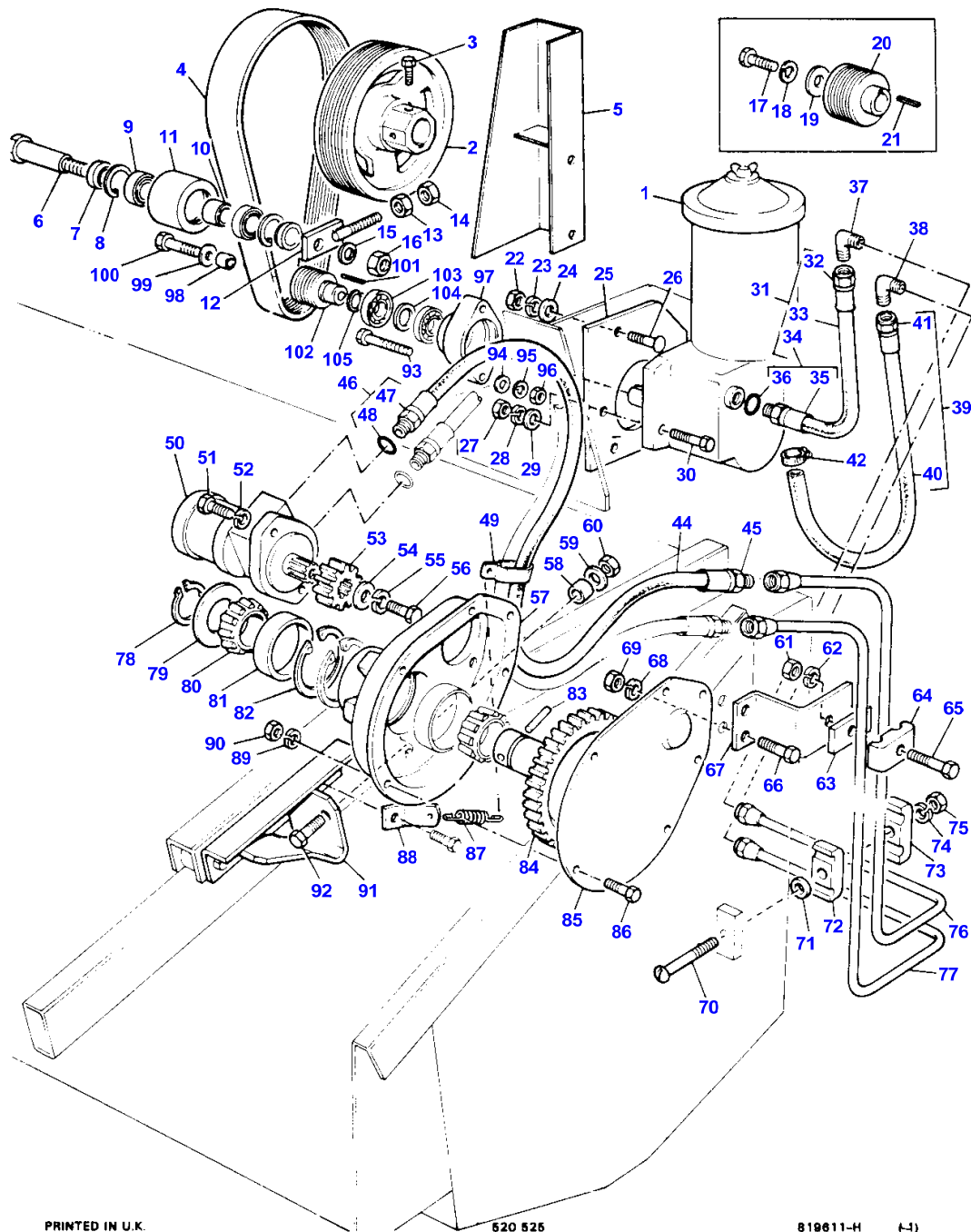
266

REEL  
RABATTEUR  
HASPEL  
ASPO  
MOLINETE

HYDROSTATIC DRIVE  
COMMANDE-HYDROSTATIQUE  
HASPELANTRIEB-HYDROSTATISCH  
COMMANDE-IDROSTATICA  
MANDO DE MOLINETE

21393002

3-2139-002-B



REEL HYDROSTATIC DRIVE - NEW PROFILE TABLES

Item	Part Number	Qty	Description	Comments
NEW PROFILE TABLES				
1		1	Pump	See Page - Reference Number 280/1
2	282671M1	1	Pulley	(C)
3	355291X1	2	Screw Unc	(C)
4	843313M1	1	Belt	(C)
5	264803M92	1	Shield	(C)
6	264991M1	1	Bolt	(C,D)
Up to Serial or Engine Number 3038				
6	3370125M1	1	Bolt	(C,E)
From Serial or Engine Number 3038				
7	267022M1	2	Spacer	(C)
8	208230M1	2	Ring	(C)
9	832778M1	2	Bearing	(C)
10	264992M1	1	Spacer	(C)
11	264990M1	1	Idler	(C)
12	267003M91	1	Stud	(C)
13	375098X1	1	Nut Unc	(C)
14	375111X1	1	Nut Unc	(C)
15	353439X1	1	Lock Washer	(C)
16	375098X1	1	Nut Unc	(C)
22	375098X1	2	Nut Unc	
23	353439X1	2	Lock Washer	
24	353758X1	2	Washer	
25	264802M1	1	Plate	
26	364246X1	2	Bolt	
27	355566X1	2	Nut Unc	
28	353434X1	2	Lock Washer	
29	353756X1	2	Washer	
30	354264X1	2	Bolt Unc	
31	843577M91	1	Hose	(A,C)
32	1888500M2	1	Union	(31)
33		1	Hose	(31) (F) 15.5"-394MM
34	1895152M92	1	Union	(31) (C)
35		1	Union	(34) Not serviced, order 1895 152 M92
36	1889504M1	1	O Ring	(34) (C)
37	356376X1	1	Elbow	
38	356376X1	1	Elbow	
39	843301M1	1	Hydr.Hose Assy.	(A)
40		1	Hose	(39) (G) 30.52"-775MM
41	1888500M2	1	Union	(39)
42	364124X1	1	Clamp	
43	843575M91	2	Hose	(A)
44		1	Hose	(43) (F) 45.52"-1156MM
45	1895178M2	1	Union	(43)
46	1895152M92	1	Union	(43)
47		1	Union	(46) Not serviced, order 1888 591 M91
48	1889504M1	1	O Ring	(46)
49	264801M1	1	Clamp	
50		1	Hydraulic Motor	See Page - Reference Number 278/1
51	353724X1	1	Screw Unc	
52	353439X1	1	Lock Washer	
53	282672M1	1	Gear	
54	363332X1	1	Washer	
55	353441X1	1	Lock Washer	
56	353666X1	1	Screw Unc	
57	282667M1	1	Housing	
58	366970X1	1	Spacer	
59	355618X1	1	Washer	
60	355565X1	1	Nut Unc	

REEL HYDROSTATIC DRIVE - NEW PROFILE TABLES

Item	Part Number	Qty	Description	Comments
61	355565X1	1	Nut Unc	
62	353446X1	1	Lock Washer	
63	264806M1	1	Pad	
64	264807M1	1	Clamp	
65	353685X1	1	Bolt Unc	
66	353677X1	2	Screw Unc	
67	264808M1	1	Bracket	
68	353446X1	2	Lock Washer	
69	355565X1	2	Nut Unc	
70	355146X1	X	Screw Unc	
71	365182X1	X	Washer	
72	216908M1	1	Clamp	101
72	216908M1	2	Clamp	12'14'16'18'
72	216908M1	3	Clamp	20'
73	264807M1	2	Clamp	10'
73	264807M1	3	Clamp	12'14'16'18'
73	264807M1	4	Clamp	20'
74	353441X1	X	Lock Washer	
75	365180X1	X	Nut	
76	283866M91	1	Tube	10'
76	283874M91	1	Tube	12'
76	283870M91	1	Tube	14'
76	283876M91	1	Tube	16'
76	283878M91	1	Tube	18'
76	283882M91	1	Tube	20'
77	282550M92	1	Tube	10'
77	282558M92	1	Tube	12'
77	282554M92	1	Pipe	14'
77	282560M92	1	Tube	16'
77	282562M92	1	Tube	18'
77	282566M92	1	Tube	20'
78	762101M1	1	Ring	
79	370225X1	1	Washer	
80	834998M1	2	Cone	
81	834999M1	2	Cup	
82	355832X1	2	Snapping	
83	357679X1	1	Pin	
84	282670M1	1	Gear	
85	282668M1	1	Cover	
86	353667X1	6	Screw Unc	
87	239383M1	1	Spring	
88	264800M1	1	Bracket	
89	353441X1	6	Lock Washer	
90	355564X1	6	Nut Unc	
91	3034124M91	1	Bracket	
92	353683X1	1	Bolt Unc	
93	354273X1	2	Bolt Unc	
94	353756X1	2	Washer	
95	353434X1	2	Lock Washer	
96	355566X1	2	Nut Unc	
97	267178M1	1	Housing	
98	3371981M1	1	Spacer	
99	363332X1	1	Washer	
100	353673X1	1	Bolt Unc	
101	364764X1	1	Key	
102	267179M2	1	Pulley	(C)
103	834313M1	2	Bearing	
104	371333X1	1	Spacer	
105	352699X1	1	Ring	

(A)  
NOT SERVICED ORDER DETAILS

(B)  
RICE MACHINES

(C)  
RICE MACHINES EXCEPTED

(D)

**REEL HYDROSTATIC DRIVE - NEW PROFILE TABLES**

<b>Item</b>	<b>Part Number</b>	<b>Qty</b>	<b>Description</b>	<b>Comments</b>
				USE ONLY WITH 282 513 M95
				(E) USE ONLY WITH 282 513 M96
				(F) CUT FROM 30M LENGTH 1888 630 M1
				(G) CUT FROM 30M LENGTH 1891 167 M1

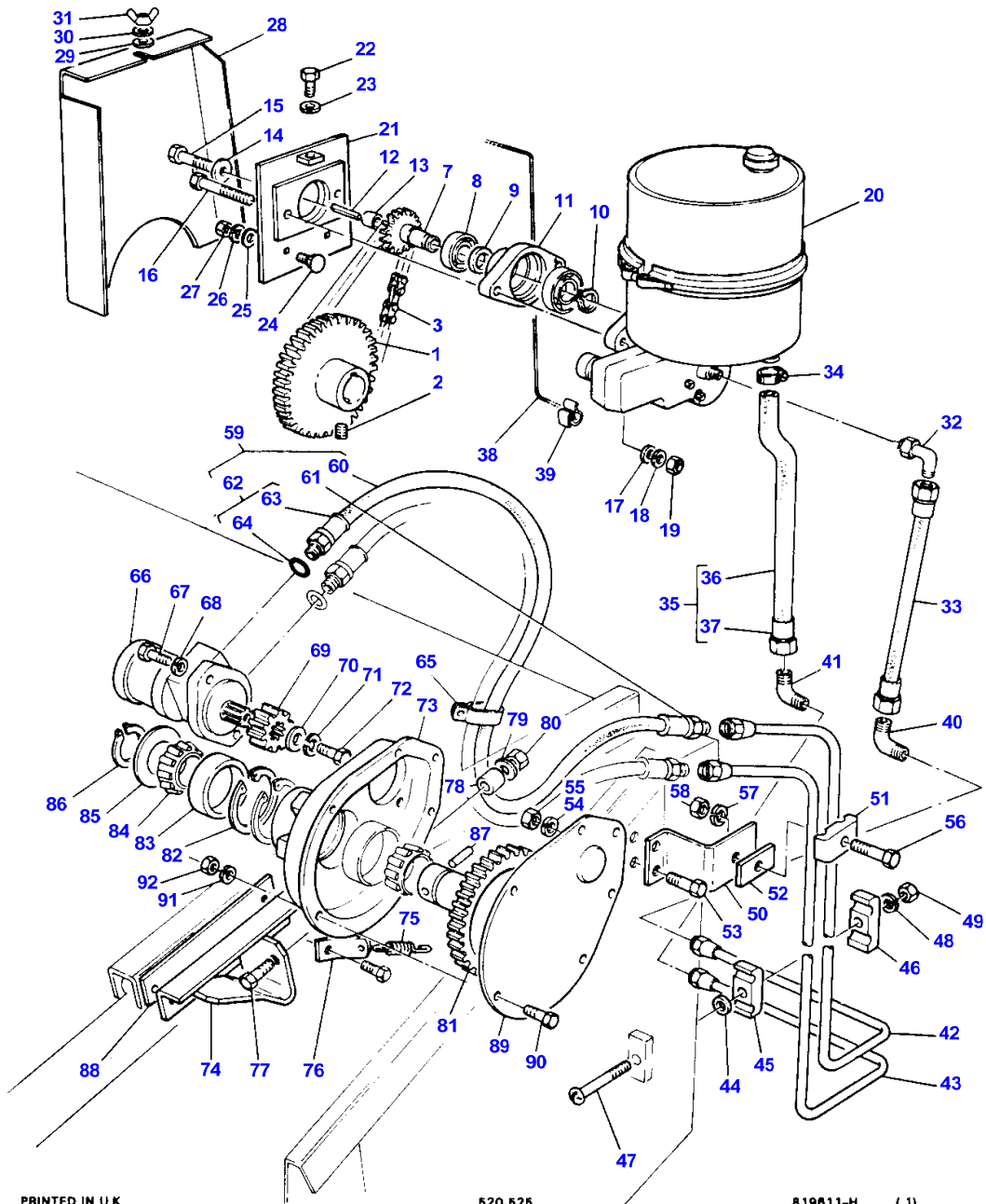
272

REEL  
RABATTEUR  
HASPEL  
ASPO  
MOLINETE

HYDROSTATIC DRIVE  
COMMANDE-HYDROSTATIQUE  
HASPELANTRIEB-HYDROSTATISCH  
COMMANDE-IDROSTATICA  
MANDO DE MOLINETE

21393003

3-2139-003-A



PRINTED IN U.K.

520 525

819611-H (1)

**MASSEY FERGUSON  
MF 520/525 COMBINES - 819611**

819611

272

**REEL HYDROSTATIC DRIVE - RICE TRACK ONLY**

Item	Part Number	Qty	Description	Comments
RICE TRACK ONLY				
1	3049307M91	1	Pinion	
2	35291X1	2	Screw Unc	
3	3049311M91	1	Chain	(A)
4	329202M91	32	Link	(3)
5	329206M91	1	Link	(3)
6	329210M91	2	Cranked Link	(3)
7	3049312M92	1	Sprocket	
8	834313M1	2	Bearing	
9	371333X1	1	Spacer	
10	352699X1	1	Ring	
11	267178M1	1	Housing	
12	364764X1	1	Key	
13	3371981M1	1	Spacer	
14	363332X1	1	Washer	
15	353673X1	1	Bolt Unc	
16	354273X1	2	Bolt Unc	
17	353756X1	2	Washer	
18	353434X1	2	Lock Washer	
19	355566X1	2	Nut Unc	
20		1	Pump	See Page - Reference Number 280/1
21	3049315M91	1	Plate	
22	353546X1	1	Screw	
23	353434X1	1	Lock Washer	
24	364964X1	2	Bolt Unc	
25	353756X1	2	Washer	
26	353434X1	2	Lock Washer	
27	355566X1	2	Nut Unc	
28	3049314M1	1	Shield	
29	353755X1	3	Washer	
30	353446X1	3	Lock Washer	
31	355583X1	3	Nut Unf	
32	358762X91	1	Elbow	
33	3049327M91	1	Hose	
34	364124X1	1	Clamp	
35	843301M1	1	Hydr.Hose Assy.	(B)
36		1	Hose	(35) (C) 31"-788MM (35)
37	1888500M2	1	Union	
38	1616898M1	1	Cable	
39	882659M1	2	Fastener	
40	356376X1	1	Elbow	
41	356376X1	1	Elbow	
42	283876M91	1	Tube	16'
	283878M91	1	Tube	18'
	283882M91	1	Tube	20'
43	282560M92	1	Tube	16'
	282562M92	1	Tube	18'
	282566M92	1	Tube	20'
44	365182X1	X	Washer	
45	264477M1	X	Clamp	Not serviced, order 1895 152 M92
46	264807M1	X	Clamp	
47	355146X1	X	Screw Unc	
48	353441X1	X	Lock Washer	
49	365180X1	X	Nut	
50	264808M1	1	Bracket	
51	264806M1	1	Pad	
52	264807M1	1	Clamp	
53	353677X1	2	Screw Unc	
54	353446X1	2	Lock Washer	
55	355565X1	1	Nut Unc	
56	353685X1	1	Bolt Unc	
57	353446X1	1	Lock Washer	
58	355565X1	1	Nut Unc	
59	843575M91	2	Hose	(B)
60		1	Hose	(59) (D) 45.52"-1156MM

REEL HYDROSTATIC DRIVE - RICE TRACK ONLY

Item	Part Number	Qty	Description	Comments
61	1895178M2	1	Union	(59)
62	1895152M92	1	Union	(59)
63		1	Union	(62) Not serviced, order 1895 152 M92
64	1889504M1	1	O Ring	(62)
65	264801M1	1	Clamp	
66		1	Hydraulic Motor	See Page - Reference Number 278/1
67	353724X1	2	Screw Unc	
68	353439X1	2	Lock Washer	
69	282672M1	1	Gear	
70	363332X1	1	Washer	
71	353441X1	1	Lock Washer	
72	353666X1	1	Screw Unc	
73	282667M1	1	Housing	
74	3034124M91	1	Bracket	
75	239383M1	1	Spring	
76	264800M1	1	Bracket	
77	353683X1	1	Bolt Unc	
78	366970X1	1	Spacer	
79	355618X1	1	Washer	
80	355565X1	1	Nut Unc	
81	282670M1	1	Gear	
82	355832X1	2	Snapping	
83	834999M1	2	Cup	
84	834998M1	2	Cone	
85	370225X1	1	Washer	
86	762101M1	1	Ring	
87	357679X1	1	Pin	
88	3034842M1	1	Spacer	
89	282668M1	1	Cover	
90	353667X1	6	Screw Unc	
91	353441X1	6	Lock Washer	
92	355564X1	6	Nut Unc	

(A)  
NOT SERVICED,ORDER 1810 235 C10 (240 PITCHES)

(B)  
NOT SERVICED,USE DETAILS

(C)  
CUT FROM 30M LENGTH 1891 167 M1

(D)  
CUT FROM 30M LENGTH 1888 630 M1

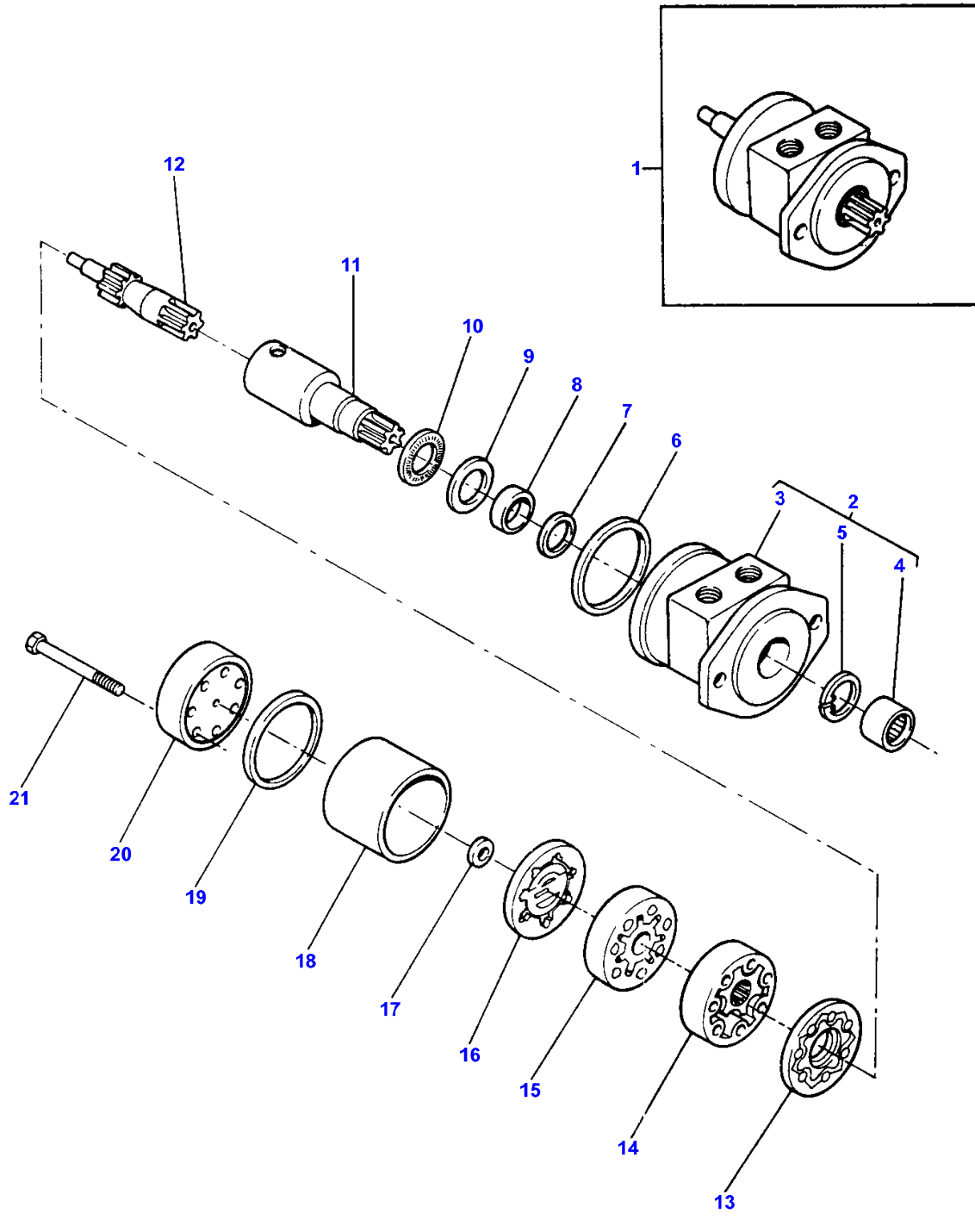


278

HYDRAULIC MOTOR  
 MOTEUR HYDRAULIQUE  
 HYDRAULIKMOTOR  
 MOTORE IDRAULICO  
 MOTOR HIDRAULICO

21383001

3-2138-001-A



HYDRAULIC MOTOR - UNIVERSAL & NEW PROFILE TABLES

Item	Part Number	Qty	Description	Comments
				UNIVERSAL & NEW PROFILE TABLES
1	282607M91	1	Valve	(A)
	267208M91	1	Hydraulic Motor	(B)
2	1048518M91	1	Housing	(1)
				(A)
2	1049963M91	1	Body	(1)
				(B)
3		1	Body	(2)
				Not serviced, order 1048 518 M91 1049 963 M91
4	834475M1	1	Bearing	(2)
5	22015X	1	Ring	(2)
6	1048718M1	1	Seal	(1)
7	1048519M1	1	Spacer	(1)
8	1048720M1	1	Seal	(1)
9	843659M1	1	Washer	(1)
10	843658M1	1	Bearing	(1)
11	1048520M1	1	Shaft	(1)
12	1048521M91	1	Shaft	(1)
				(A)
12	1052205M91	1	Link	(1)
				(B)
13	1048522M1	1	Spacer	(1)
14	1048523M91	1	Rotor	(1)
				(A)
14	1052206M91	1	Rotor	(1)
				(B)
15	1048524M1	1	Manifold	(1)
16	1048525M91	1	Commutator	(1)
17	1048126M1	1	Washer	(1)
18	1048526M1	1	Sleeve	(1)
				(A)
18	1052204M1	1	Sleeve	(1)
				(B)
19	1048718M1	1	Seal	(1)
20	1048527M91	1	Cover	(1)
21	370818X1	1	Bolt	(1)
				(A)
21	371507X1	1	Bolt	(1)
				(B)
				(A)
				UP TO SERIAL NO 1090-NEW PROFILE TABLES
				(B)
				FROM SERIAL NO 1090-NEW PROFILE TABLES

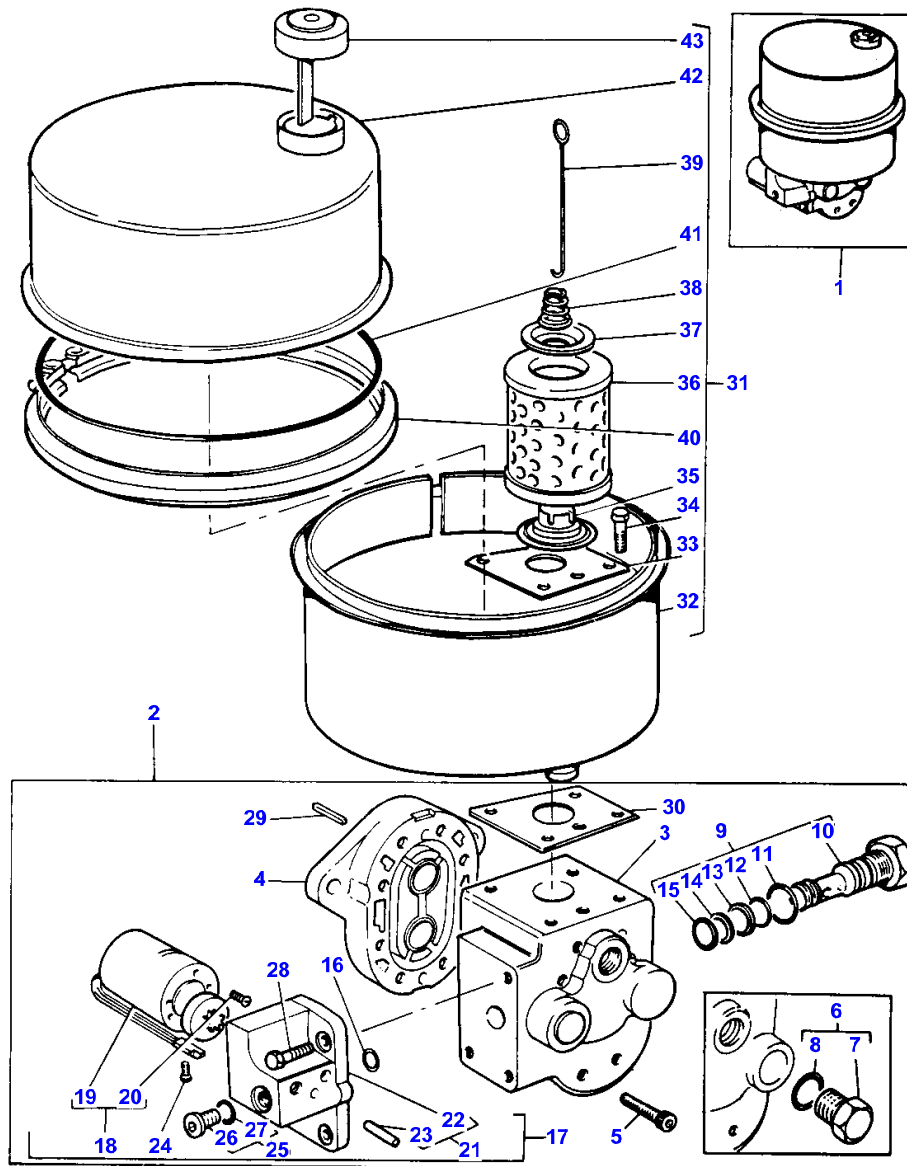
280

REEL  
RABATTEUR  
HASPEL  
ASPO  
MOLINETE

HYDRAULIC PUMP AND TANK  
POMPE HYDRAULIQUE ET RESERVOIR  
HYDRAULIKPUMPE UND TANK  
POMPA IDRAULICO E SERBATOIO  
BOMBA HIDRAULICA Y TANQUE

21183001

3-2116-001-B



PRINTED IN U.K.

520 525

819611-H (1)

REEL HYDRAULIC PUMP AND TANK - UNIVERSAL AND NEW PROFILE TABLES

Item	Part Number	Qty	Description	Comments
UNIVERSAL AND NEW PROFILE TABLES				
1	282536M92	1	Hydraulic Pump	
2	1048624M91	1	Pump	(1) (B)
2	1053837M91	1	Pump	(1) (C)
2	1053837M91	1	Pump	(1) (D)
3		1	Body	(2) Not serviced, order REF 2
4	1053198M91	1	Cover	(2)
	1048635M91	1	Cover	(2) (A)
5	371768X1	8	Screw	(2)
	371110X1	1	Screw Unc	(2) (A)
6	835052M91	1	Plug	(2) (A)
7		1	Plug	(6) Not serviced, order 835 052 M91
8	835024M1	1	O Ring	(6)
9	1048627M91	1	Valve	(2)
10		1	Valve Body	(9) Not serviced, order 1048 627 M91
11		1	O Ring	(9) Not serviced, order 837 246 M91
12		1	O Ring	(9) Not serviced, order 837 246 M91
13		1	Seal	(9) Not serviced, order 837 246 M91
14		1	Seal	(9) Not serviced, order 837 246 M91
15		1	O Ring	(9) Not serviced, order 837 246 M91
16	0730083	1	O Ring	(2)
17	1048636M91	1	Valve	(2)
18		1	Electric Motor	(17) Not serviced, order 1048 636 M91
19		1	Electric Motor	(18) Not serviced, order 1048 636 M91
20	371109X1	2	Screw	(18)
21		1	Bracket	(17) Not serviced, order 1048 636 M91
22		1	Bracket	(21) Not serviced, order 1048 636 M91
23	10407X	1	Pin	(21)
24	353982X1	1	Screw Unc	(17)
25	1050532M91	1	Plug	(17)
26		1	Plug	(25) Not serviced, order 1050 532 M91
27	831495M1	1	O Ring	(25)
28	353668X1	3	Screw Unc	(2)
29	355823X1	1	Key Parallel	(2)
30	1048623M2	1	Gasket	(2)
31		1	Tank	(1) Not serviced, order 282 536 M92
32		1	Reservoir	Not serviced, order 837 454 M91
33	1050347M2	1	Plate	(31)
34	353667X1	4	Screw Unc	(31)
35	1050348M1	1	Plate	(31)
36	1048619M1	1	Hydr. Element	(31)
37	1048620M1	1	Lid	(31)
38	1048621M1	1	Spring	(31)
39	1050349M1	1	Knotter Hook	(31)
40	1050350M91	1	Clamp	(31)
41	371111X1	1	O Ring	(31)
42		1	Reservoir	Not serviced, order 837 454 M91
43	1050351M1	X	Cap	(31)
44	837245M91	X	Kit, Seal	

**REEL HYDRAULIC PUMP AND TANK - UNIVERSAL AND NEW PROFILE TABLES**

<b>Item</b>	<b>Part Number</b>	<b>Qty</b>	<b>Description</b>	<b>Comments</b>
45	837246M91	X	Kit, Seal	
				(A) FOR USE ONLY WITH 1048 624 M91
				(B) UP TO NEW PROFILE TABLE NO 1090
				(C) FROM NEW PROFILETABLE NO 1090
				(D) UNIVERSAL TABLES ONLY

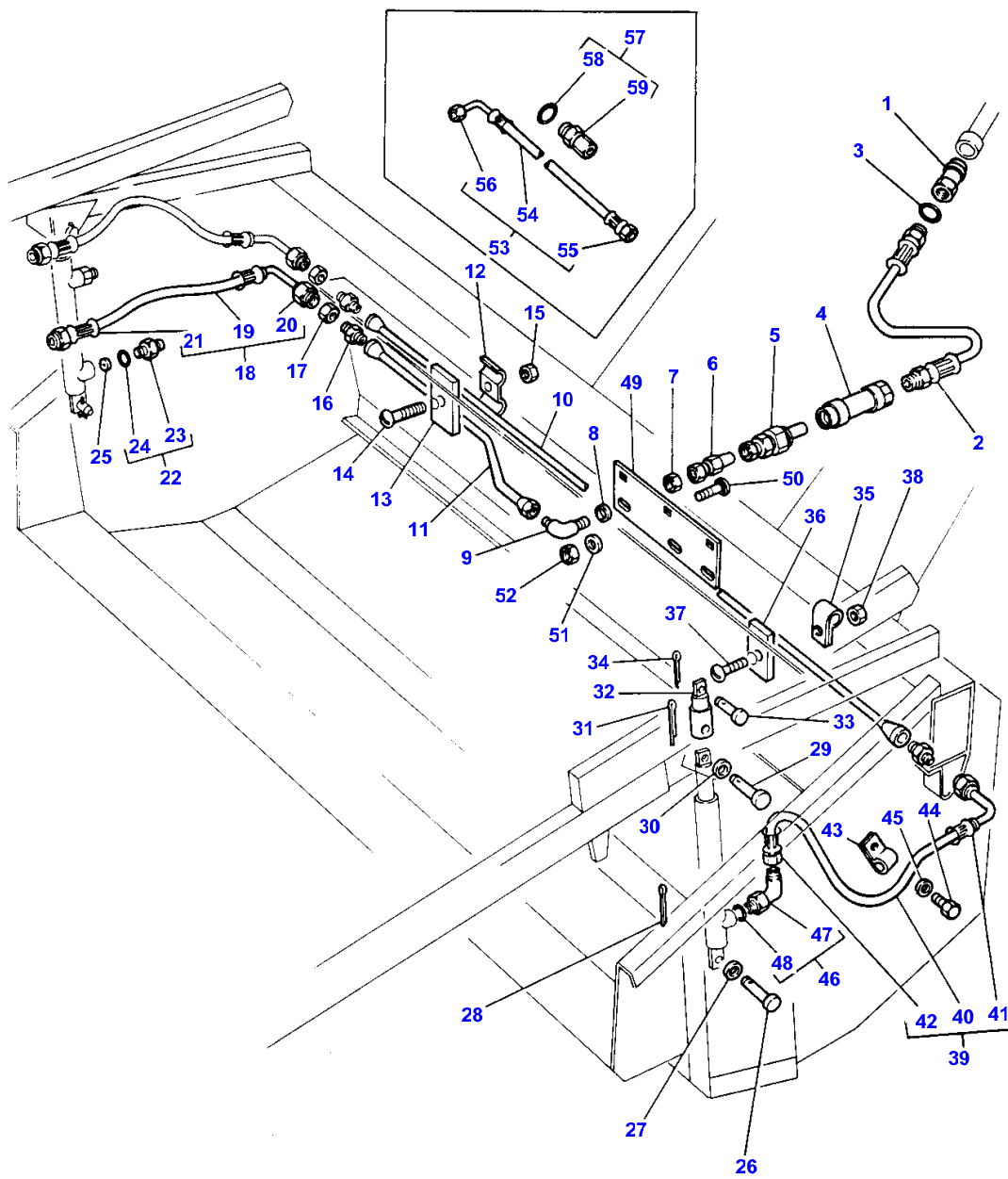
284

REEL  
RABATTEUR  
HASPEL  
ASPO  
MOLINETE

LIFT HYDRAULICS  
RELEVAGE HYDRAULIQUE  
AUSHEBUNG HYDRAULIKISCHE  
IMPIANTO IDRAULICO SOLLEVAMENTO  
MANDO HIDRAULICO DEL LEVANTE

21493001

3-2149-001-B



PRINTED IN U.K.

520 525

819611-H (1)

REEL LIFT HYDRAULICS - UNIVERSAL TABLES

Item	Part Number	Qty	Description	Comments
UNIVERSAL TABLES				
1	1026700M91	1	Male Coupler	
2	3034881M91	1	Hose	From Serial or Engine Number 407
3	1852568M1	1	O Ring	(2) From Serial or Engine Number 407
4	3035047M1	1	Coupling	From Serial or Engine Number 407
5	3035046M3	1	Coupling	From Serial or Engine Number 407
6	330903X1	1	Adaptor	From Serial or Engine Number 407
7	355830X1	1	Locknut	
8	353759X1	1	Washer	
9	786224M1	1	Elbow	
10	3034709M91	1	Tube	10'
	3034707M91	1	Tube	12'
	3034705M91	1	Tube	14'
	3034703M91	1	Tube	16'
	3034701M91	1	Tube	18'
11	3034720M91	1	Tube	10'
	3034718M91	1	Tube	12'
	3034716M91	1	Tube	14'
	3034714M91	1	Tube	16'
	3034712M91	1	Tube	18'
12	216908M1	X	Clamp	
13	271652M1	X	Pad	
14	355139X1	X	Screw Unc	
15	365180X1	X	Nut	
16	356266X1	3	Union	
17	355830X1	3	Locknut	
18	843307M1	2	Hose	(A)
19		1	Hose	(18) (B) 21.5"-547MM
20	1890161M91	1	Elbow	(18)
21	1888496M91	1	Union	(18)
22	835091M91	2	Connector	
23		1	Connector	(22) Not serviced, order 835 091 M91
24	831452M1	1	O Ring	(22)
25	621875M1	1	Washer	From Serial or Engine Number 224
26	195401M1	2	Pin	
27	353758X1	2	Washer	
28	354059X1	2	Pin	
29	195403M1	2	Clevis Pin	
30	353758X1	2	Washer	
31	354059X1	2	Pin	
32	264857M1	2	Extension	
33	363816X1	2	Clevis Pin	
34	354059X1	2	Pin	
35	361312X1	X	Clip	
36	271652M1	X	Pad	
37	353974X1	X	Screw Unc	
38	365180X1	X	Nut	
39	3034350M2	1	Hydr Hose	(A)
40		1	Hose	(39) (B) 28"-711MM
41	1889851M92	1	Elbow	(39)
42	1888496M91	1	Union	(39)
43	360643X1	1	Clip	
44	353689X1	1	Screw Unc	
45	353756X1	1	Washer	
46	357197X91	1	Elbow	
47		1	Elbow	(46) Not serviced, order 357 197 X91
48	831452M1	1	O Ring	(46)
49	3034754M3	1	Support	
50	353793X1	3	Bolt Unf	
51	353755X1	3	Washer	
52	353916X1	3	Nut Unf	
53	3034350M2	1	Hydr Hose	(A)

REEL LIFT HYDRAULICS - UNIVERSAL TABLES

Item	Part Number	Qty	Description	Comments
54		1	Hose	Up to Serial or Engine Number 407 (53) (B) 28"-711MM
55	1895154M2	1	Union	(53)
56	1889851M92	1	Elbow	(53)
57	831497M1	1	O Ring	Up to Serial or Engine Number 407  (A) NOT SERVICED,USE DETAILS  (B) CUT FROM 30M LENGTH 1888 629 M1



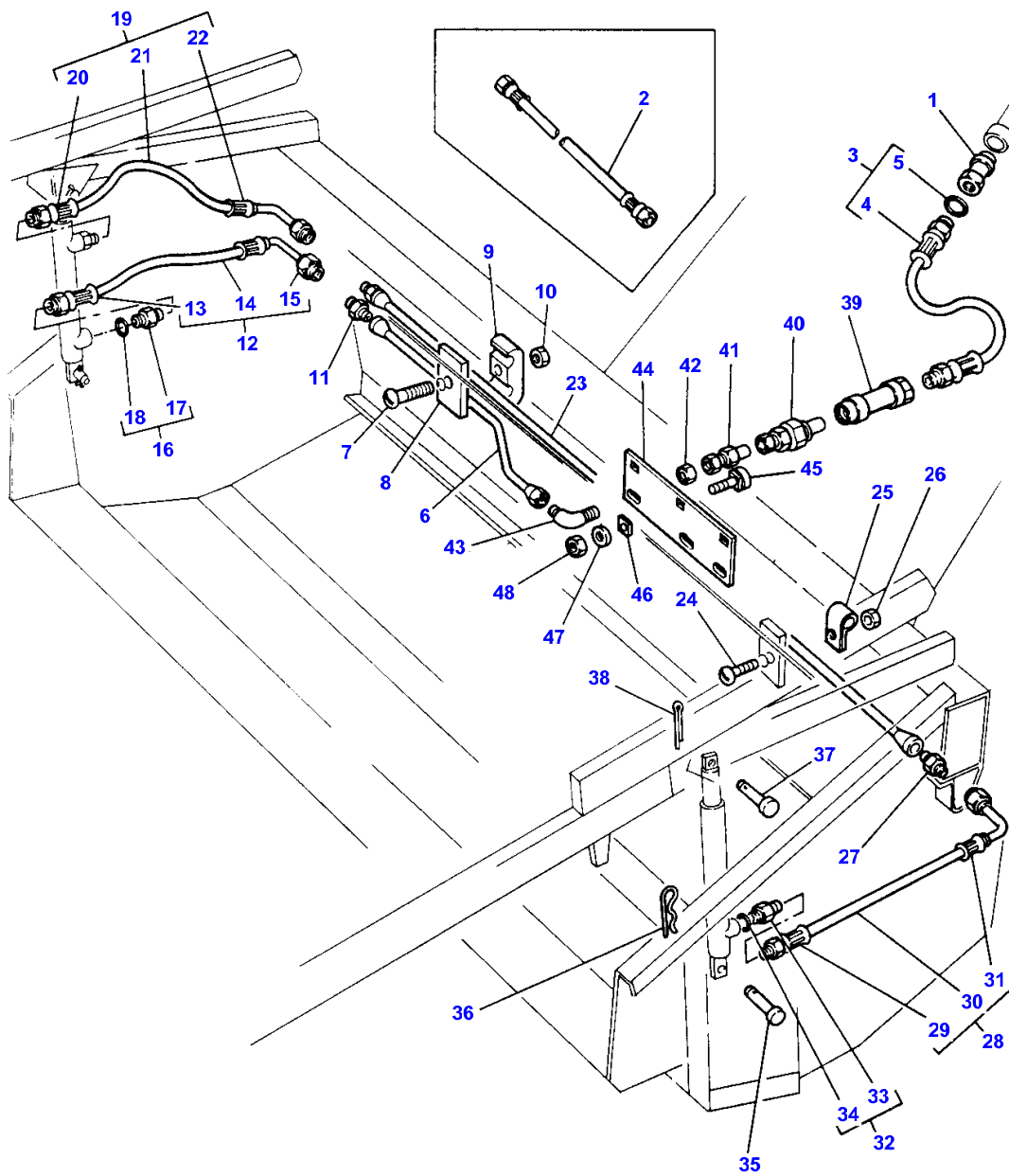
288

REEL  
RABATTEUR  
HASPEL  
ASPO  
MOLINETE

LIFT HYDRAULICS  
RELEVAGE HYDRAULIQUE  
AUSHEBUNG HYDRAULIKISCHE  
IMPIANTO IDRAULICO SOLLEVAMENTO  
MANDO HIDRAULICO DEL LEVANTE

21493002

3-2149-002-B



PRINTED IN U.K.

520 525

819611-H (1)

REEL LIFT HYDRAULICS - NEW PROFILE TABLES

Item	Part Number	Qty	Description	Comments
NEW PROFILE TABLES				
1	1026700M91	1	Male Coupler	
2	834121M91	1	Hose	Up to Serial or Engine Number 2697
	843942M91	1	Hose	From Serial or Engine Number 2697
				Up to Serial or Engine Number 3038
3	3034881M91		Hose	From Serial or Engine Number 3038
4		1	Hose	(3) Not serviced, order 3034 881M91
5	1852568M1	1	O Ring	(3)
6	281954M91	1	Tube	Up to Serial or Engine Number 2697 10'
	267194M1	1	Tube	From Serial or Engine Number 2697
				Up to Serial or Engine Number 3038
6	3034980M91	1	Tube	From Serial or Engine Number 3038
	281956M91	1	Tube	Up to Serial or Engine Number 2697 12'
	267195M1	1	Tube	From Serial or Engine Number 2697
				Up to Serial or Engine Number 3038
6	3034981M91	1	Tube	From Serial or Engine Number 3038
	281960M91	1	Tube	Up to Serial or Engine Number 2697 14'
	267197M1	1	Tube	From Serial or Engine Number 2697
				Up to Serial or Engine Number 3038
6	3034983M91	1	Tube	From Serial or Engine Number 3038
	281966M91	1	Tube	Up to Serial or Engine Number 2697 16'
	267200M1	1	Tube	From Serial or Engine Number 2697
				Up to Serial or Engine Number 3038
6	3034986M91	1	Tube	From Serial or Engine Number 3038
	281968M91	1	Tube	Up to Serial or Engine Number 2697 18'
	267201M1	1	Tube	From Serial or Engine Number 2697
				Up to Serial or Engine Number 3038
6	3034987M91	1	Tube	From Serial or Engine Number 3038
	281970M91	1	Tube	Up to Serial or Engine Number 2697 20'
	267202M1	1	Tube	From Serial or Engine Number 2697
				Up to Serial or Engine Number 3038
6	3034988M91	1	Tube	From Serial or Engine Number 3038
7	355139X1	X	Screw Unc	
8	271652M1	2	Pad	Up to Serial or Engine Number 2697 10'
	271652M1	1	Pad	From Serial or Engine Number 2697
	271652M1	4	Pad	Up to Serial or Engine Number 2697 12'14' 16'18'
8	271652M1	3	Pad	From Serial or Engine Number 2697
	271652M1	6	Pad	Up to Serial or Engine Number 2697 20'
	271652M1	5	Pad	From Serial or Engine Number 2697
9	264477M1	1	Clamp	10'
	264477M1	2	Clamp	Up to Serial or Engine Number 2697 12'14' 16'18'
9	264477M1	1	Clamp	From Serial or Engine Number 2697
	264477M1	3	Clamp	Up to Serial or Engine Number 2697 20'
	264477M1	2	Clamp	From Serial or Engine Number 2697
10	365180X1	X	Nut	
11	355529X1	2	Union	
12	843307M1	1	Hose	(A)
13	1895154M2	1	Union	(12)
14		1	Hose	(12) (B) 21.42"-544MM
15	1890161M1	1	Elbow	(12)
16	835091M91	1	Connector	
17		1	Connector	(16) Not serviced, order 835 091M91
18	831452M1	1	O Ring	(16)
19	843308M1	1	Hose	(A)
20	1890161M1	1	Elbow	(19)
21		1	Hose	(19) (B) 24.42"-620MM
22	1895154M2	1	Union	(19)
23	281932M91	1	Tube	10'
	281934M91	1	Tube	12'
	281938M91	1	Tube	14'
	281942M91	1	Tube	16'

REEL LIFT HYDRAULICS - NEW PROFILE TABLES

Item	Part Number	Qty	Description	Comments
23	281944M91	1	Tube	18'
23	281946M91	1	Tube	20'
24	353974X1	X	Screw Unc	
25	364199X1	1	Clip	10'
25	364199X1	2	Clip	12'14'16'18'
25	364199X1	3	Clip	20'
26	365180X1	X	Nut	
27	355529X1	1	Union	
28	843307M1	1	Hose	(A)
29	1895154M2	1	Union	(28)
30		1	Hose	(28) (B) 21.42"-544MM
31	1890161M1	1	Elbow	(28)
32	835091M91	1	Connector	
33		1	Connector	(32) Not serviced, order 835 091M91
34	831452M1	1	O Ring	(32)
35	195401M1	2	Pin	
36	364096X1	2	Pin	
37	195411M1	2	Pin	
38	354059X1	2	Pin	
39	3035047M1	1	Coupling	From Serial or Engine Number 3038
40	3035046M3	1	Coupling	From Serial or Engine Number 3038
41	330903X1	1	Adaptor	From Serial or Engine Number 3038
42	355830X1	1	Locknut	From Serial or Engine Number 2697
43	361193X1	1	Elbow	From Serial or Engine Number 2697
44	3034995M1	1	Support	From Serial or Engine Number 3038
45	353793X1	3	Bolt Unf	From Serial or Engine Number 3038
46	10978X	3	Washer	From Serial or Engine Number 3038
47	353775X1	3	Washer	From Serial or Engine Number 3038
48	353916X1	3	Nut Unf	From Serial or Engine Number 3038
				(A) NOT SERVICED,USE DETAILS
				(B) CUT FROM 30M LENGTH 1888 629 M1

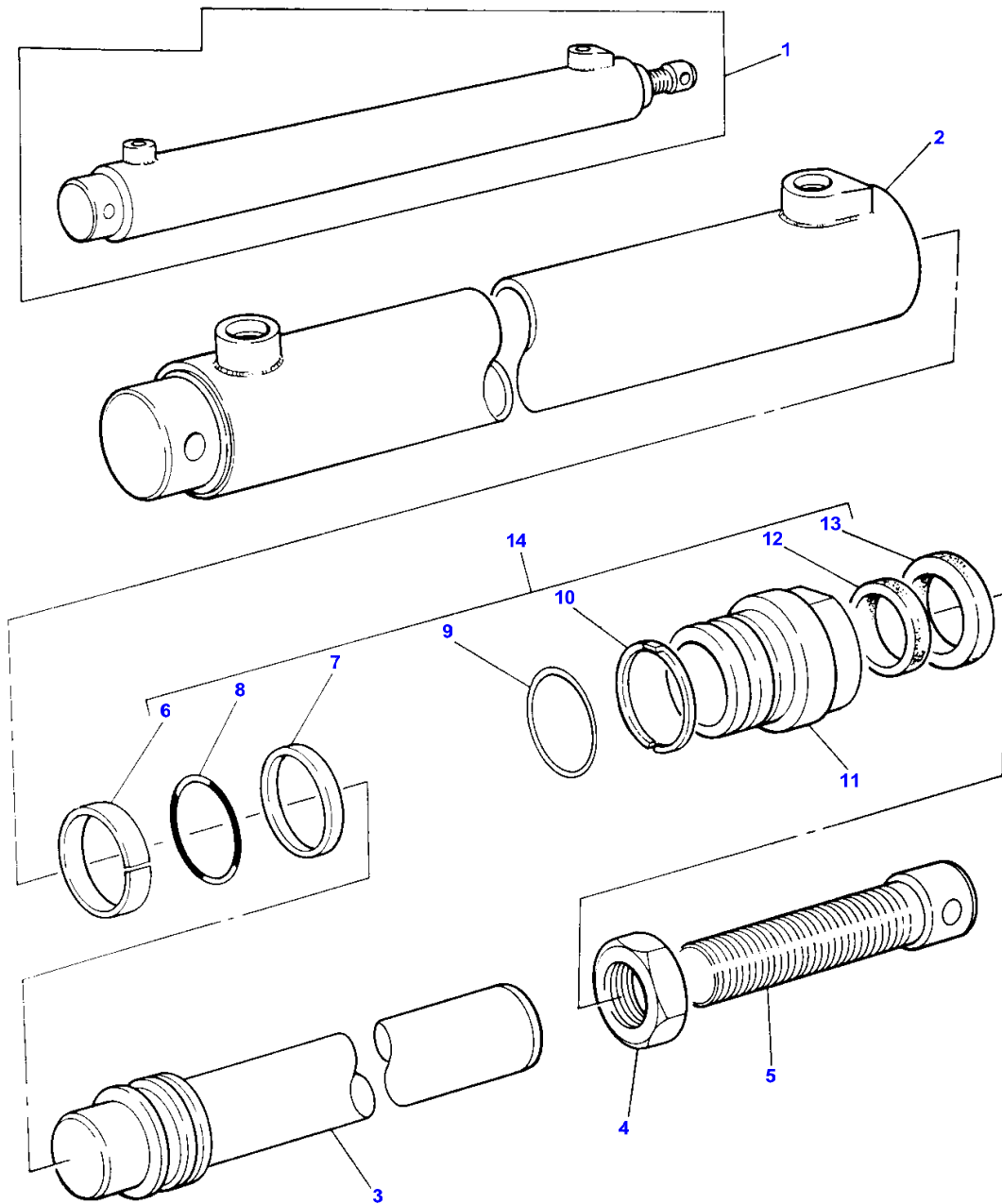
292

REEL  
RABATTEUR  
HASPEL  
ASPO  
MOLINETE

HYDRAULIK LIFT MASTER CYLINDER  
MAITRE CYLINDRE DE HYDRAULIQUE  
AUSHEBE-HAUPTZYLINDER  
CILINDRO SOLLEVAMENTO PRINCIPALE  
CILINDRO MAESTRO DEL HIDRAULICO

21173001

3-2117-001-A



PRINTED IN U.K.

520 525

819611-H (1)

REEL HYDRAULIC LIFT MASTER CYLINDER - UNIVERSAL AND NEW PROFILE TABLES

Item	Part Number	Qty	Description	Comments
------	-------------	-----	-------------	----------

UNIVERSAL AND NEW PROFILE TABLES

1	1748817M92	1	Cylinder	
2	1749181M92	1	Barrel	(1)
3	1749186M91	1	Rod	(1)
4	1441410X1	1	Nut	(1)
5	1749180M1	1	End	(1)
6	1606843M1	1	Ring	(1) (A)
7	1606842M1	1	Ring	(1) (A)
8	365583X1	1	O Ring	(1) (A)
9	1442710X1	1	Seal	(1) (A)
10	1748053M1	1	Wire	(1) (A)
11	1749189M1	1	Bearing	(1)
12	1606462M1	1	Seal	(1) (A)
13	1605376M1	1	Wiper	(1) (A)
14	1749420M91	X	Kit, Seal	(1) (B)

(A)  
CONTAINED IN KIT 1749 420 M91

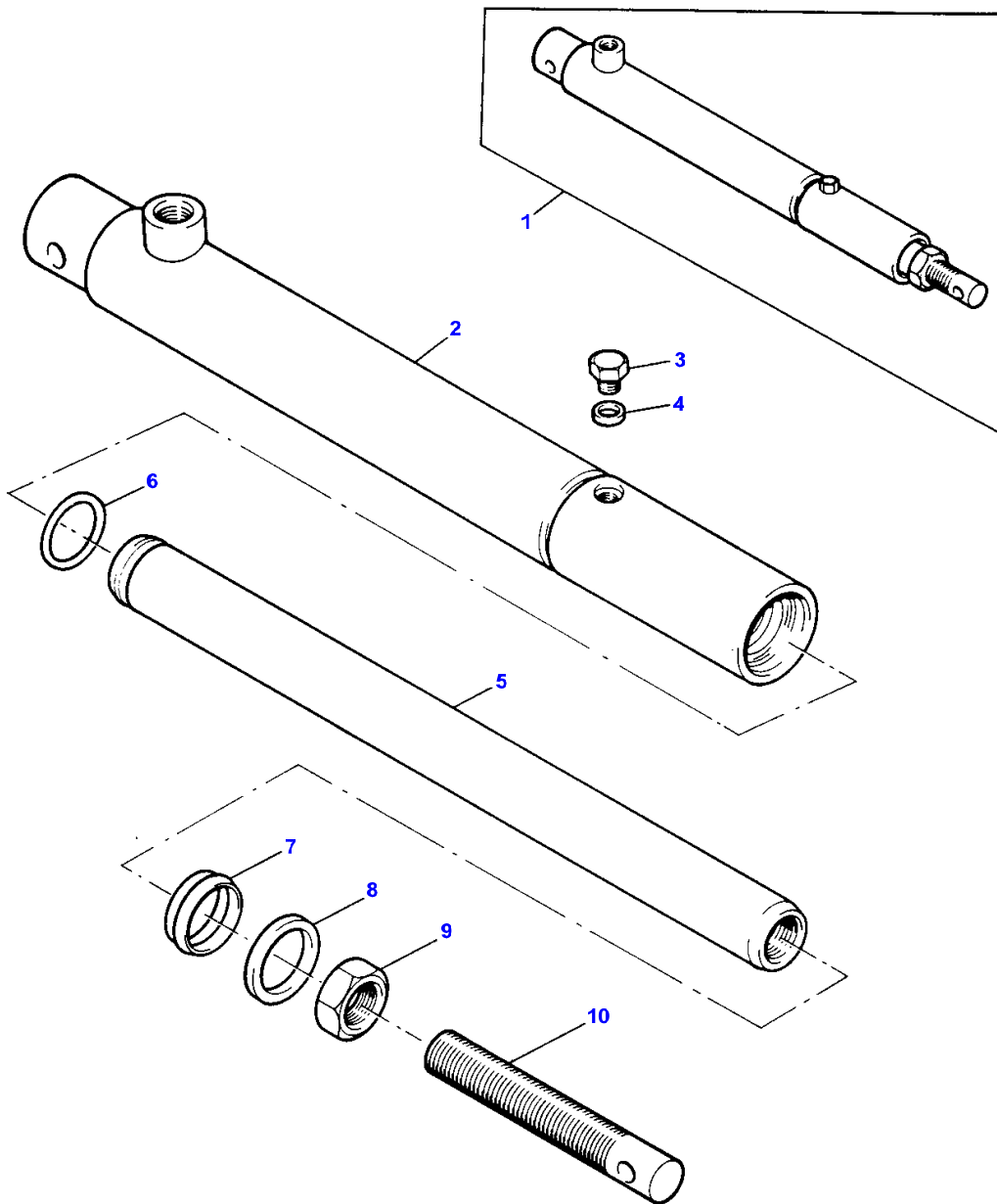
(B)  
CONTAINS ITEMS MARKED (A)

294

RAM FOR REEL LIFT  
 VERIN RELEVAGE RABATTEUR  
 HYDRAULIKZYLINDER FUER HASPELAUSHEBUNG  
 CILINDRO PER SOLLEVAMENTO ASPO  
 CILINDRO ELEVADOR MOLINETE

31403002

3-3140-002-A



PRINTED IN U.K.

520 525

819611-H (1)

RAM FOR REEL LIFT

Item	Part Number	Qty	Description	Comments
1	1748818M91	1	Cylinder	
2	1749423M91	1	Barrel	(1)
3	390066X1	1	Plug	(1)
4	1441828X1	1	Washer	(1)
5	1749177M1	1	Rod	(1)
6	1749190M1	1	Circlip	(1)
7	1606462M1	1	Seal	(1)
				(A)
8	1605376M1	1	Wiper	(1)
				(A)
9	1441410X1	1	Nut	(1)
10	1749180M1	1	End	(1)
11	1749176M91	1	Kit, Seal	(1)
				(B)

(A)  
CONTAINED IN KIT 1749 176 M91

(B)  
CONTAINS ITEMS MARKED (A)

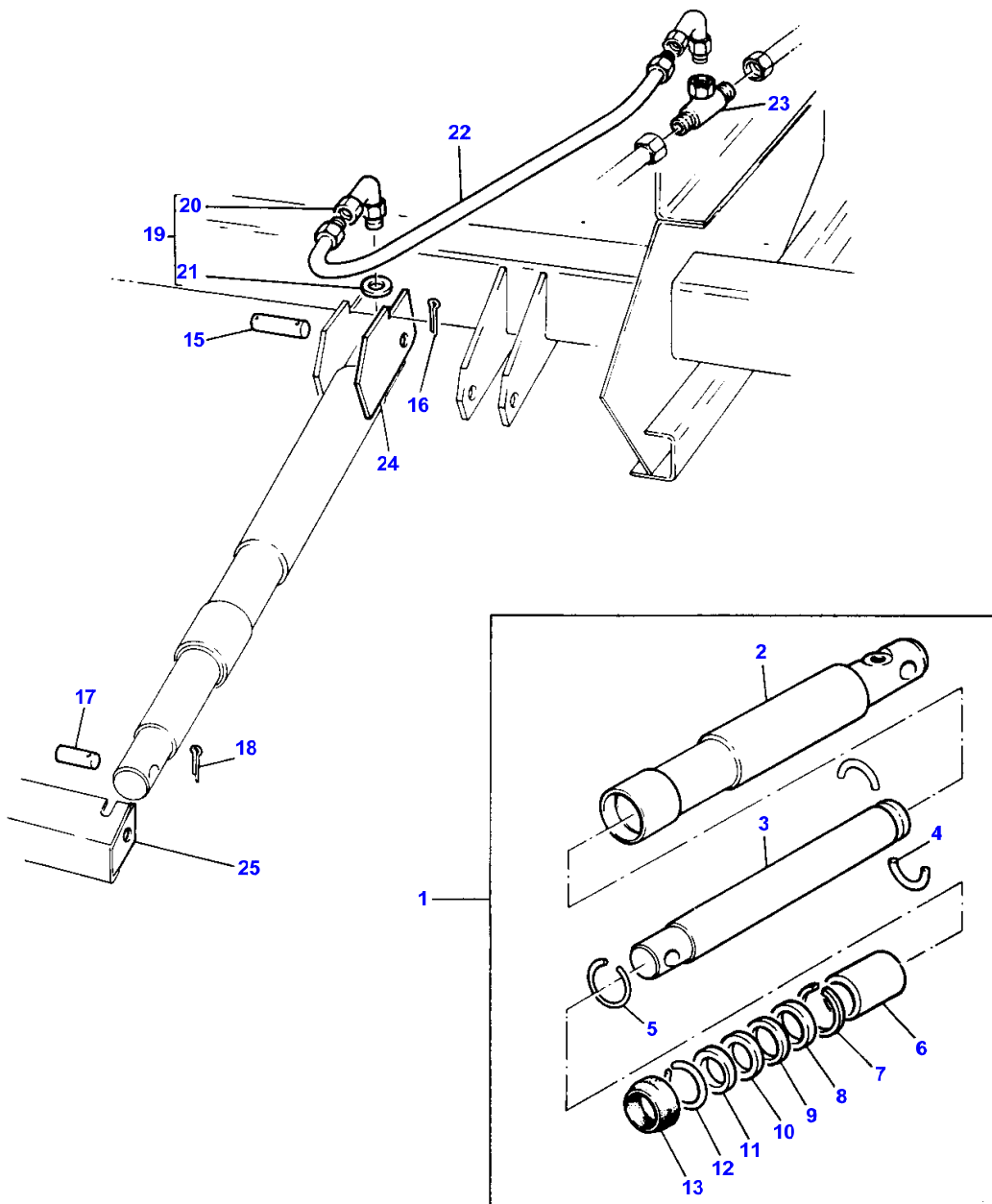
296

RAM FOR TABLE LIFT  
 VERIN RELEVAGE DE TABLE  
 HYDRAULIKZYLINDER FUER TISCHAUSHEBNG  
 CILINDRO PER SOLLEVAMENTO TAVOLE  
 CILINDRO ELEVADOR PLATAFORMA

3RD.RAM  
 3EME.VERIN  
 DRITTE ZYLINDER  
 TERZA CILINDRO  
 TERCERA CILINDRO

31363002

3-3136-002-A



PRINTED IN U.K.

520 525

819611-H (1)



RAM FOR TABLE LIFT-3RD.RAM - UNIVERSAL TABLES

Item	Part Number	Qty	Description	Comments
				UNIVERSAL TABLES
1	1748127M93	1	Cylinder	
2		1	Barrel	(1) Not serviced, order 1748 127 M93
3		1	Piston Rod	(1) Not serviced, order 1748 127 M93
4		2	Ring	(1) Not serviced, order 1748 127 M93
5		1	Ring	(1) Not serviced, order 1748 127 M93
6	1748069M1	1	Bush	(1)
7	1442393X1	1	Circlip	(1)
8	1442391X1	1	Seal	(1) (A)
9	1748072M1	1	Ring	(1) (A)
10	1748073M1	1	Ring	(1) (A)
11	1748074M1	1	Ring	
12	1748075M1	1	Ring	
13	1442392X1	1	Seal	(1) (A)
14	1749582M91	X	Kit, Seal	(B)
15	786540M1	1	Pin	
16	354091X1	2	Pin	
17	786541M1	1	Pin	
18	354091X1	2	Pin	
19	360202X91	1	Connector	
20		1	Connector	Not serviced, order 360 202 X91
21	1852568M1	1	O Ring	
22	3044167M91	1	Hose Flexible	
23	787549M91	1	Teepiece	
24	3044735M1	2	Plate	
25	786091M2	2	Plate	

(A)  
CONTAINED IN KIT 1749 582 M91

(B)  
CONTAINS ITEMS MARKED (A)

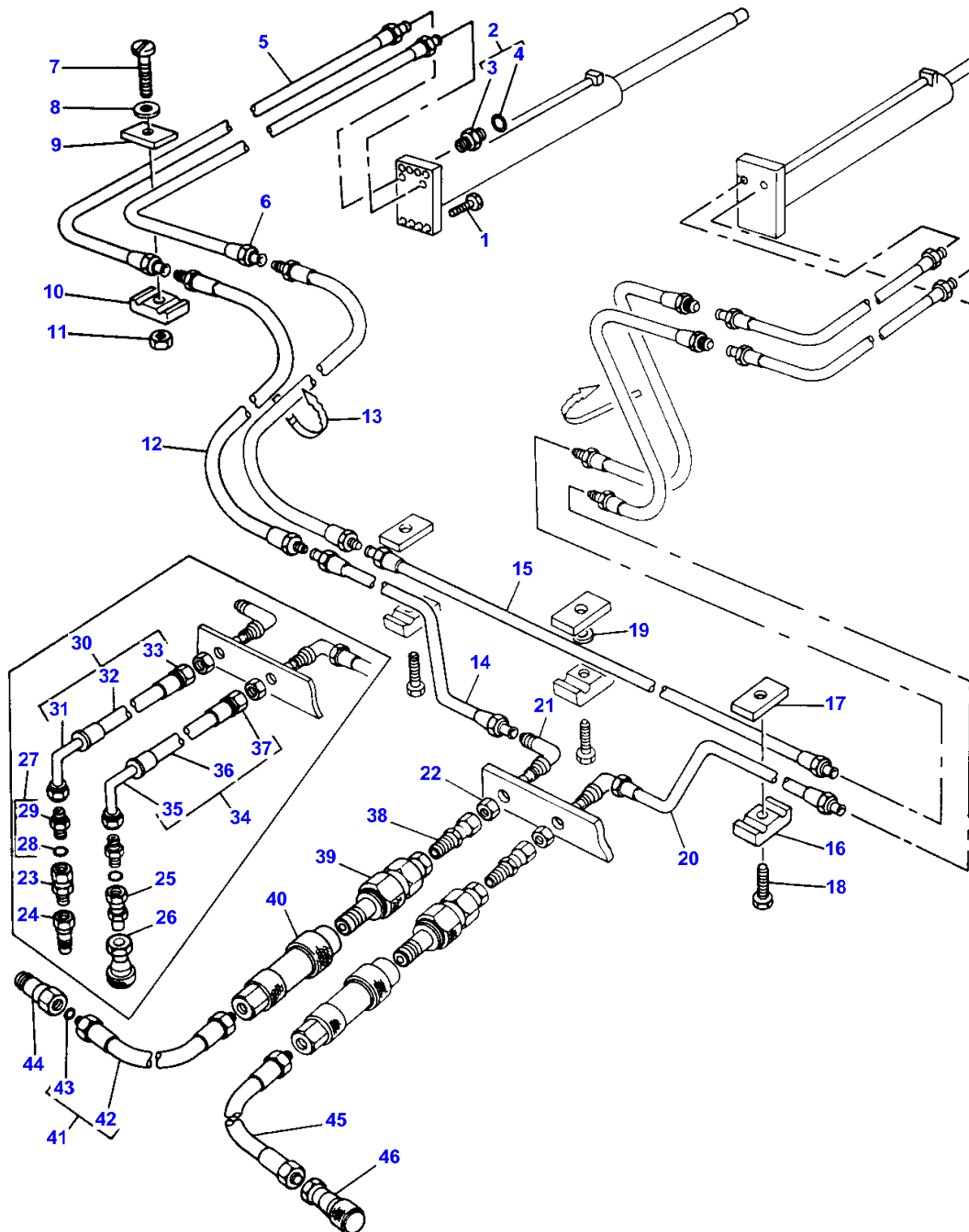
298

REEL  
RABATTEUR  
HASPEL  
ASPO  
MOLINETE

HYDRAULICS - FORE & AFT  
HYDRAULIQUE ATERIEUR  
VERSTELLUNG HYDRAULISCHE  
IMPIANTO IDRAULICO LONGITUDINALE  
MANDO HIDRAULICO DEL ALCANCE

21093001

3-2109-001-B



PRINTED IN U.K.

520 525

819611-H (1)

REEL FORE AND AFT HYDRAULICS - UNIVERSAL TABLES

Item	Part Number	Qty	Description	Comments
UNIVERSAL TABLES				
1	357740X1	16	Screw Unc	
2	835091M91	4	Connector	
3		1	Adaptor	(2) Not serviced, order 835 091 M91
4	831452M1	1	O Ring	(2)
5	3034723M91	2	Tube	
6	3034725M91	2	Tube	
7	355040X1	2	Screw	
8	353754X1	2	Washer	
9	271652M1	2	Pad	
10	264477M1	2	Clamp	
11	365180X1	2	Nut	
12	3034727M1	4	Hose	
13	885864M1	2	Cleat	
14	3034748M91	1	Tube	10'
	3034746M91	1	Tube	12'
	3034744M91	1	Tube	14'
	3034742M91	1	Tube	16'
	3034740M91	1	Tube	18'
15	3034793M92	1	Tube	10'
	3034791M92	1	Tube	12'
	3034789M92	1	Tube	14'
	3034787M92	1	Tube	16'
	3034785M92	1	Tube	18'
16	264477M1	X	Clamp	
17	271652M1	X	Pad	
18	365056X1	2	Screw Unc	
19	365182X1	X	Washer	
20	3034737M91	1	Tube	10'
	3034735M91	1	Tube	12'
	3034733M91	1	Tube	14'
	3034731M91	1	Tube	16'
	3034729M91	1	Tube	18'
21	1895154M2	2	Union	
22	355830X1	2	Locknut	
23	338682X1	1	Adaptor	(C)
24	236995M1	1	Union	(C)
25	330903X1	1	Adaptor	(C)
26	236994M1	1	Union	(C)
27	835091M91	2	Connector	(C)
28		1	Connector	(27) Not serviced, order 835 091 M91
29	358733X1	1	Union	(27)
30	843307M1	1	Hose	(A,C)
31	1890161M91	1	Elbow	(30)
32		1	Hose	(30) (B) 21.5"-546MM
33	1895154M2	1	Union	(30)
34	843308M1	1	Hose	(A,C)
35	1890161M91	1	Elbow	(34)
36		1	Hose	(34) (B) 24.5"-623MM
37	1895154M2	1	Union	(34)
38	330903X1	2	Adaptor	(D)
39	3035046M3	2	Coupling	(D)
40	3035047M1	2	Coupling	(D)
41	3034878M91	1	Hydr Hose	(D)
42	1895154M2	1	Union	(41) Not serviced, order 3034 878 M91
43	831452M1	1	O Ring	(41)
44	236995M1	1	Union	(D)
45	3034880M1	1	Hydr Hose	(D)
46	236994M1	1	Union	(D)

(A)  
NOT SERVICED,USE DETAILS

**MASSEY FERGUSON****MF 520/525 COMBINES - 819611****819611****REEL FORE AND AFT HYDRAULICS - UNIVERSAL TABLES****298****Item Part Number Qty Description Comments**

(B)  
CUT FROM 30M LENGTH 1888 629 M1

(C)  
UP TO TABLE NO 407

(D)  
FROM TABLE NO 407

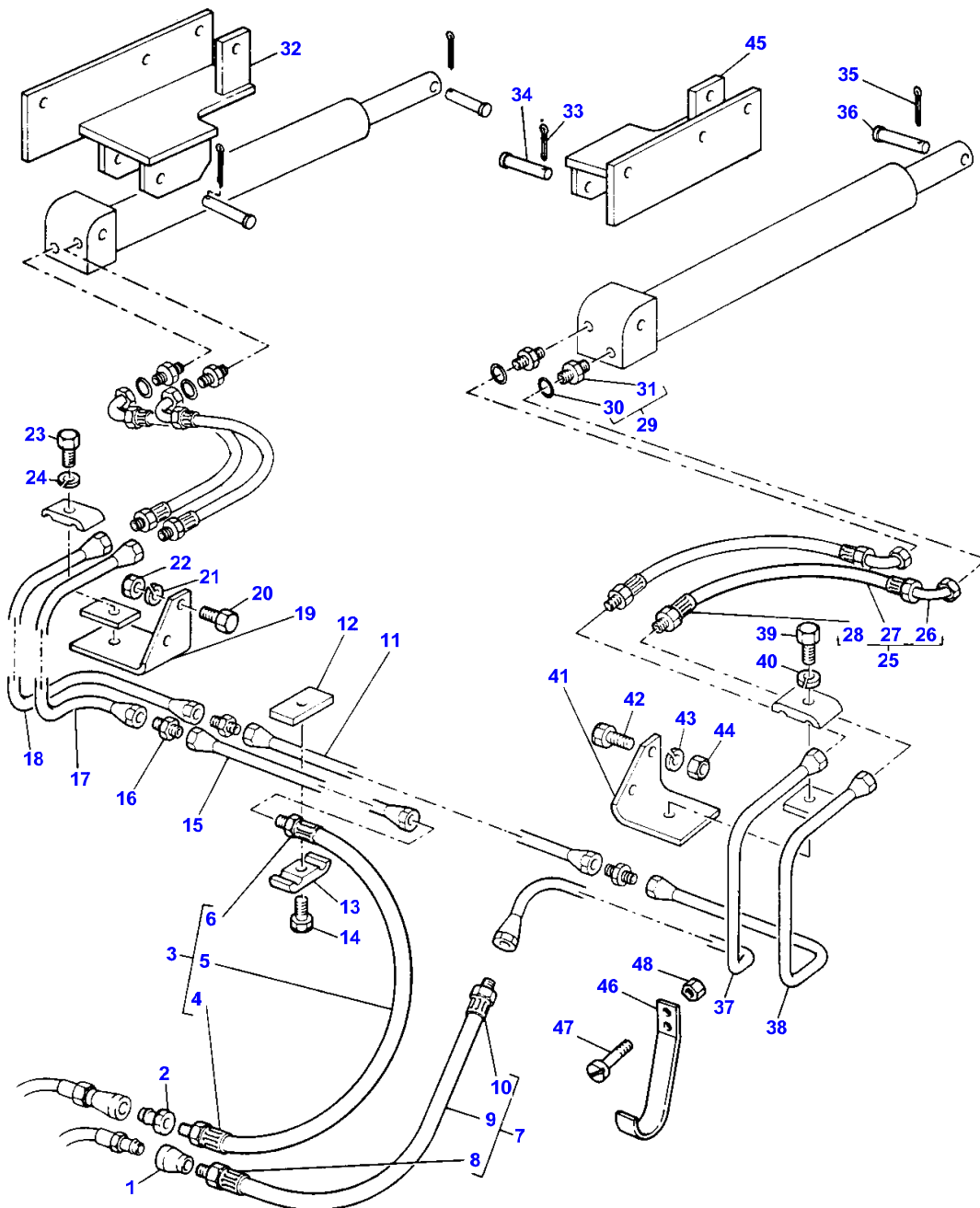
302

REEL  
RABATTEUR  
HASPEL  
ASPO  
MOLINETE

HYDRAULICS – FORE & AFT  
HYDRAULIQUE ATERIEUR  
VERSTELLUNG HYDRAULISCHE  
IMPIANTO IDRAULICO LONGITUDINALE  
MANDO HIDRAULICO DEL ALCANCE

21093002

3-2109-002-B



PRINTED IN U.K.

520 525

819611-H (1)

REEL FORE AND AFT HYDRAULICS - NEW PROFILE TABLES

Item	Part Number	Qty	Description	Comments
NEW PROFILE TABLES				
1	236994M1	1	Union	
2	236995M1	1	Union	
3	843046M91	1	Hydr.Hose Assy.	(A)
4	1888588M91	1	Union	(3)
5		1	Hose	(3) (B) 22.25"-565MM
6	1888482M1	1	Union	(3)
7	843048M1	1	Hydr.Hose Assy.	(A)
8	1888550M1	1	Union	(7)
9		1	Hose	(7) (B) 22.25"-565MM
10	1888482M1	1	Union	(7)
11	282105M92	1	Tube	10'
	282107M92	1	Tube	12'
	282111M92	1	Tube	14'
	282115M92	1	Tube	16'
	282117M92	1	Tube	18'
	282119M92	1	Tube	20'
12	271652M1	4	Pad	10'
	271652M1	5	Pad	12'14'16'18'
	271652M1	6	Pad	20'
13	216908M1	4	Clamp	10'
	216908M1	5	Clamp	12'14'16'18'
	216908M1	6	Clamp	20'
14	365056X1	2	Screw Unc	10'
	365056X1	3	Screw Unc	12'14'16'18'
	365056X1	4	Screw Unc	20'
15	282081M91	1	Tube	10'
	282083M91	1	Tube	12'
	282087M91	1	Tube	14'
	282091M91	1	Tube	16'
	282093M91	1	Tube	18'
	282095M91	1	Tube	20'
16	356595X1	3	Union	
17	282073M91	1	Tube	Left Hand
18	282077M91	1	Tube	Left Hand
19	264465M91	1	Bracket	
20	353677X1	2	Screw Unc	
21	353446X1	2	Lock Washer	
22	355565X1	2	Nut Unc	
23	353683X1	1	Bolt Unc	
24	353446X1	1	Lock Washer	
25	843304M1	4	Hydr.Hose Assy.	
26	1888522M1	4	Elbow	(25)
27		4	Hose	(25) (B) 18.12"-460MM
28	1888482M1	4	Union	(25)
29	366683X91	4	Connector	
30		1	Connector	(29) Not serviced, order 366 683 X91
31	831452M1	1	O Ring	(29)
32	264852M91	1	Support	
33	832817M1	2	Clevis Pin	
34	354059X1	2	Pin	
35	195237M1	2	Pin	
36	354057X1	2	Pin	
37	282133M91	1	Tube	10'
	282135M91	1	Tube	12'
	282139M91	1	Tube	14'
	264467M91	1	Tube	16'
	264471M91	1	Tube	18'
	282127M91	1	Tube	20'
38	282079M91	1	Tube	
39	353683X1	1	Bolt Unc	
40	353446X1	1	Lock Washer	

**REEL FORE AND AFT HYDRAULICS - NEW PROFILE TABLES**

<b>Item</b>	<b>Part Number</b>	<b>Qty</b>	<b>Description</b>	<b>Comments</b>
41	264463M91	1	Bracket	
42	353677X1	2	Screw Unc	
43	353446X1	2	Lock Washer	
44	355565X1	2	Nut Unc	
45	264853M91	1	Bearer	
46	267040M1	1	Tube	
47	353988X1	2	Screw Unc	
48	358656X1	2	Nut	

(A)  
NOT SERVICED ORDER DETAILS

(B)  
CUT FROM 30M LENGTH 1888 628 M1

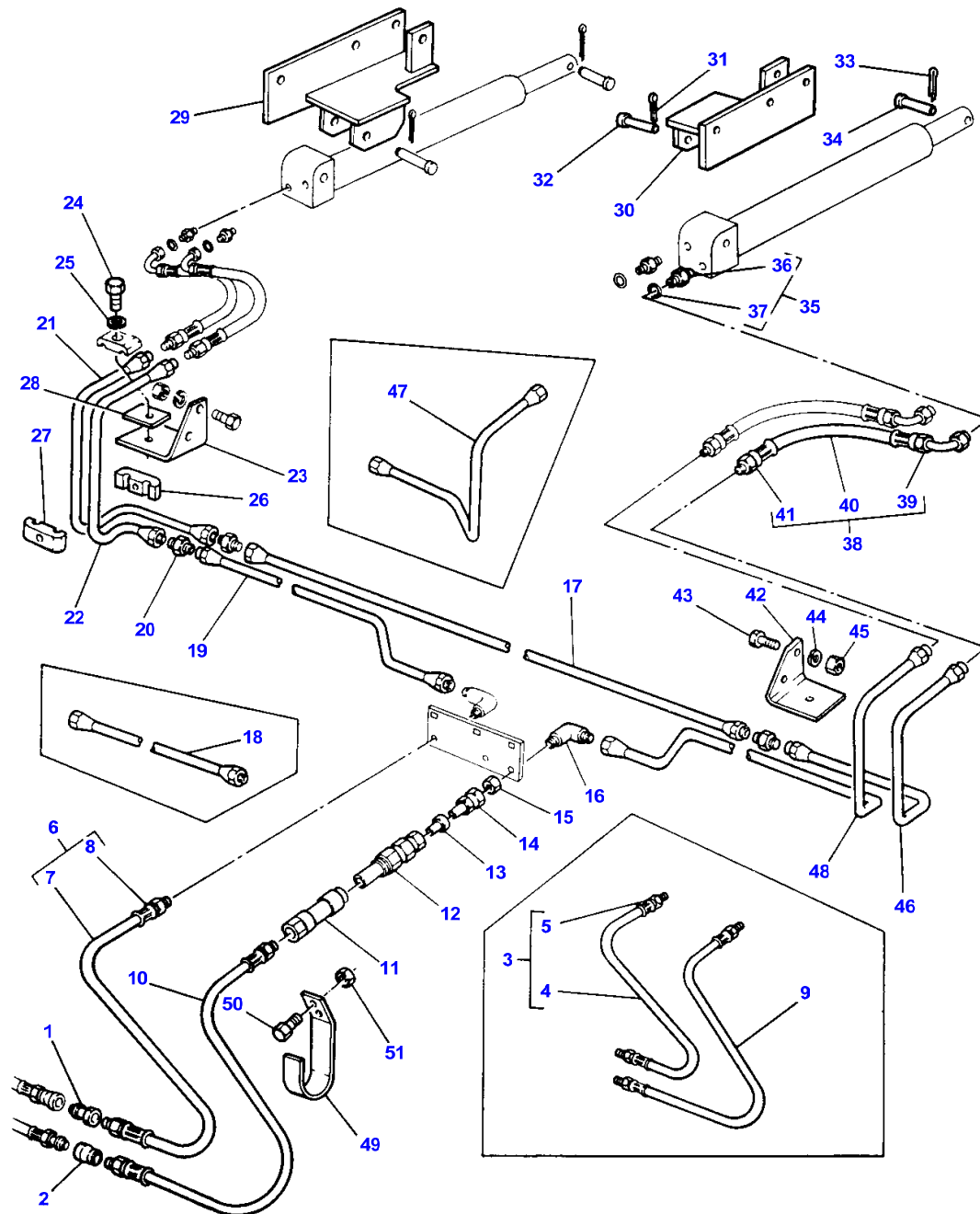
306

REEL  
RABATTEUR  
HASPEL  
ASPO  
MOLINETE

HYDRAULICS - FORE & AFT  
HYDRAULIQUE ATERIEUR  
VERSTELLUNG HYDRAULISCHE  
IMPIANTO IDRAULICO LONGITUDINALE  
MANDO HIDRAULICO DEL ALCANCE

21093003

3-2109-003-A



PRINTED IN U.K.

520 525

819611-M (1)



REEL FORE AND AFT HYDRAULICS - FROM TABLE NO 2697 - NEW PROFILE TABLES

Item	Part Number	Qty	Description	Comments
FROM TABLE NO 2697 - NEW PROFILE TABLES				
1	236994M1	1	Union	
2	236995M1	1	Union	
3	843944M91	1	Hose	(A)
4		1	Hose	(3) Not serviced, order 843 944 M91
5	831452M1	1	O Ring	(3)
6	3034878M91	1	Hydr Hose	(B)
7		1	Hose	(6) Not serviced, order 3034 878 M91
8	831452M1	1	O Ring	(6)
9	843941M1	1	Hose	(A)
10	3034880M1	1	Hydr Hose	(B)
11	3035047M1	2	Coupling	(B)
12	3035046M3	2	Coupling	(B)
13	330981X1	2	Adaptor	(B)
14	330980X1	2	Adaptor	(B)
15	356612X1	2	Nut	
	356612X1	2	Nut	(B)
16	368358X1	2	Union	
	368358X1	2	Union	(B)
17	282105M92	1	Tube	10'
	282107M92	1	Tube	12'
	282111M92	1	Tube	14'
	282115M92	1	Tube	16'
	282117M92	1	Tube	18'
	282119M92	1	Tube	20'
18	282081M91	1	Tube	(A)
	282083M91	1	Tube	(A)
	282087M91	1	Tube	(A)
	282091M91	1	Tube	(A)
	282093M91	1	Tube	(A)
	282095M91	1	Tube	(A)
19	3035007M91	1	Tube	(B)
	3035009M91	1	Tube	(B)
	3035013M91	1	Tube	(B)
	3035017M91	1	Tube	(B)
	3035019M91	1	Tube	(B)
	3035021M91	1	Tube	(B)
20	356595X1	3	Union	
21	282077M91	1	Tube	
22	282073M91	1	Tube	
23	264465M91	1	Bracket	
24	353683X1	2	Bolt Unc	
25	353446X1	2	Lock Washer	
26	216908M1	4	Clamp	10'
	216908M1	5	Clamp	12'14'16'18'
	216908M1	6	Clamp	20'
27	264477M1	2	Clamp	10'
28	271652M1	4	Pad	10'
	271652M1	5	Pad	12'14'16'18'
	271652M1	6	Pad	20'
29	264852M91	1	Support	Left Hand
30	264853M91	1	Bearer	Right Hand
31	832817M1	2	Clevis Pin	
32	354059X1	2	Pin	
33	195237M1	2	Pin	
34	354057X1	2	Pin	
35	366683X91	4	Connector	
36		4	Connector	(35)
37	831452M1	4	O Ring	(35)
38	843304M1	4	Hydr.Hose Assy.	(C)
39	1888522M1	4	Elbow	(38)
40		4	Hose	(38) (D) 18.12"-460MM
41	1888482M1	4	Union	(38)
42	264463M91	1	Bracket	
43	353677X1	2	Screw Unc	

REEL FORE AND AFT HYDRAULICS - FROM TABLE NO 2697 - NEW PROFILE TABLES

Item	Part Number	Qty	Description	Comments
44	353446X1	2	Lock Washer	
45	355565X1	2	Nut Unc	
46	282079M91	1	Tube	
47	267181M1	1	Tube	(A)
47	267182M1	1	Tube	(A)
47	267186M1	1	Tube	(A)
47	267188M1	1	Tube	(A)
47	267189M1	1	Tube	(A)
48	3035031M91	1	Tube	(B)
48	3035032M91	1	Tube	(B)
48	3035034M91	1	Tube	(B)
48	3035037M91	1	Tube	(B)
48	3035038M91	1	Tube	(B)
48	3035039M91	1	Tube	(B)
49	267040M1	1	Tube	
50	353988X1	2	Screw Unc	
51	358656X1	2	Nut	

(A)  
UP TO TABLE NO 3038

(B)  
FROM TABLE NO 3038

(C)  
NOT SERVICED, ORDER DETAILS

(D)  
CUT FROM 30M LENGTH 1888 628 M1

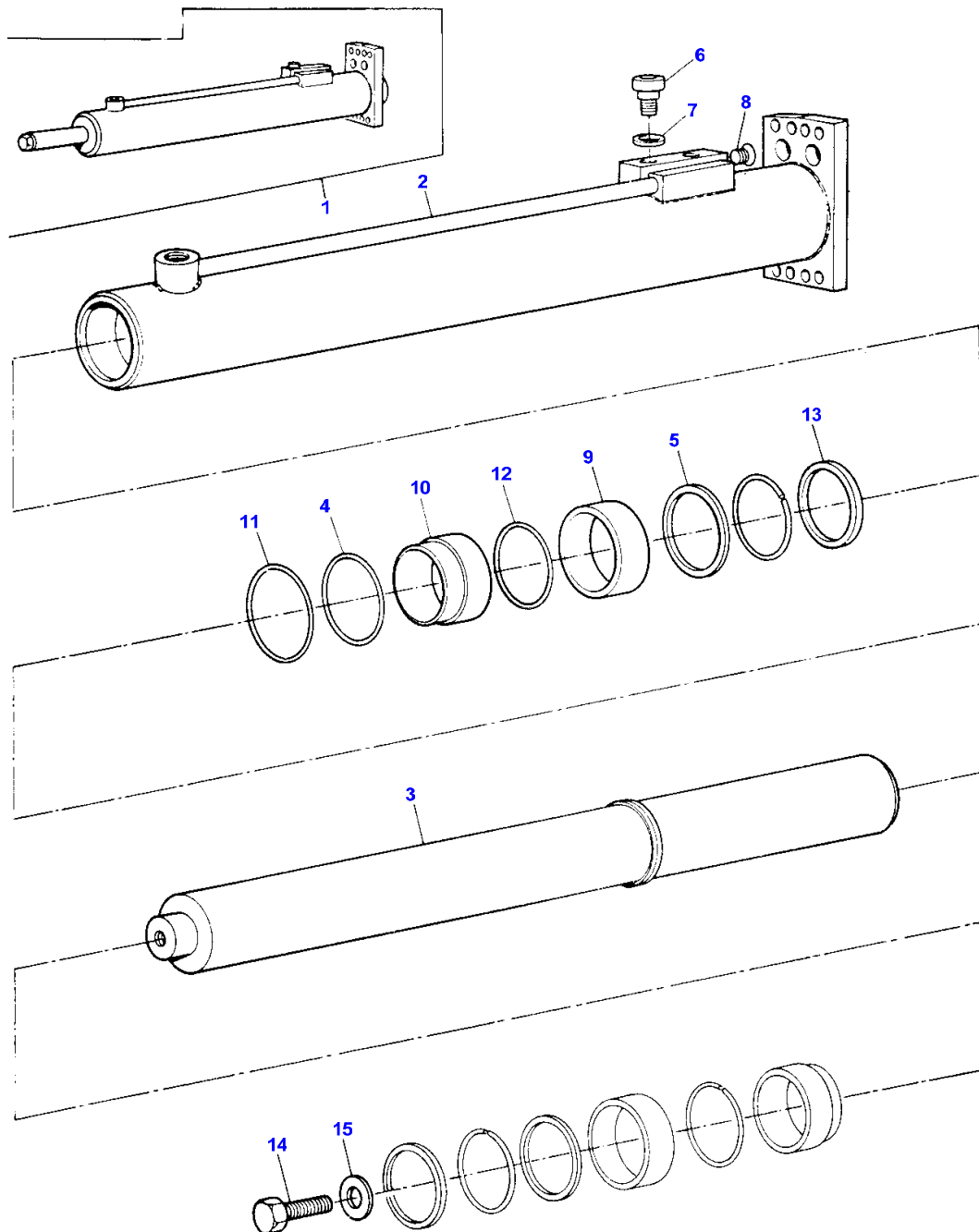
310

REEL  
RABATTEUR  
HASPEL  
ASPO  
MOLINETE

FORE AND AFT RAMS  
VERIN ANTERIEURS  
VERSTELLZYLINDER  
CILINDRO LONGITUDINALE  
ARIETES DE ALCANCE

21183001

3-2118-001-A



PRINTED IN U.K.

520 525

819611-H (1)

REEL FORE AND AFT RAMS - UNIVERSAL TABLES

Item	Part Number	Qty	Description	Comments
UNIVERSAL TABLES				

1	1748555M91	2	Ram	
2	1748562M91	1	Barrel	(1)
3	1748560M91	1	Rod	(1)
4	1607399M1	1	Seal	(1)
				(B)
5	1748490M1	2	Ring	(1)
6	1442742X1	1	Screw Metric	(1)
7	903042M1	1	Washer	(1)
8		2	Plug	(1)
				(A)
9	1748496M1	2	Seal	(1)
				(B)
10	1748492M1	2	Bearing	(1)
11	338860X1	1	Ring	
12	1748489M1	4	Ring	(1)
13	1748495M1	2	Seal	(1)
				(B)
14	353899X1	2	Screw Unc	
15	355621X1	2	Washer	
16	1749735M91	X	Kit, Seal	(1)
				(C)

(A)  
NOT FITTED ON THIS APPLICATION

(B)  
CONTAINED IN KIT 1749 735 M91

(C)  
CONTAINS ITEMS MARKED (B)

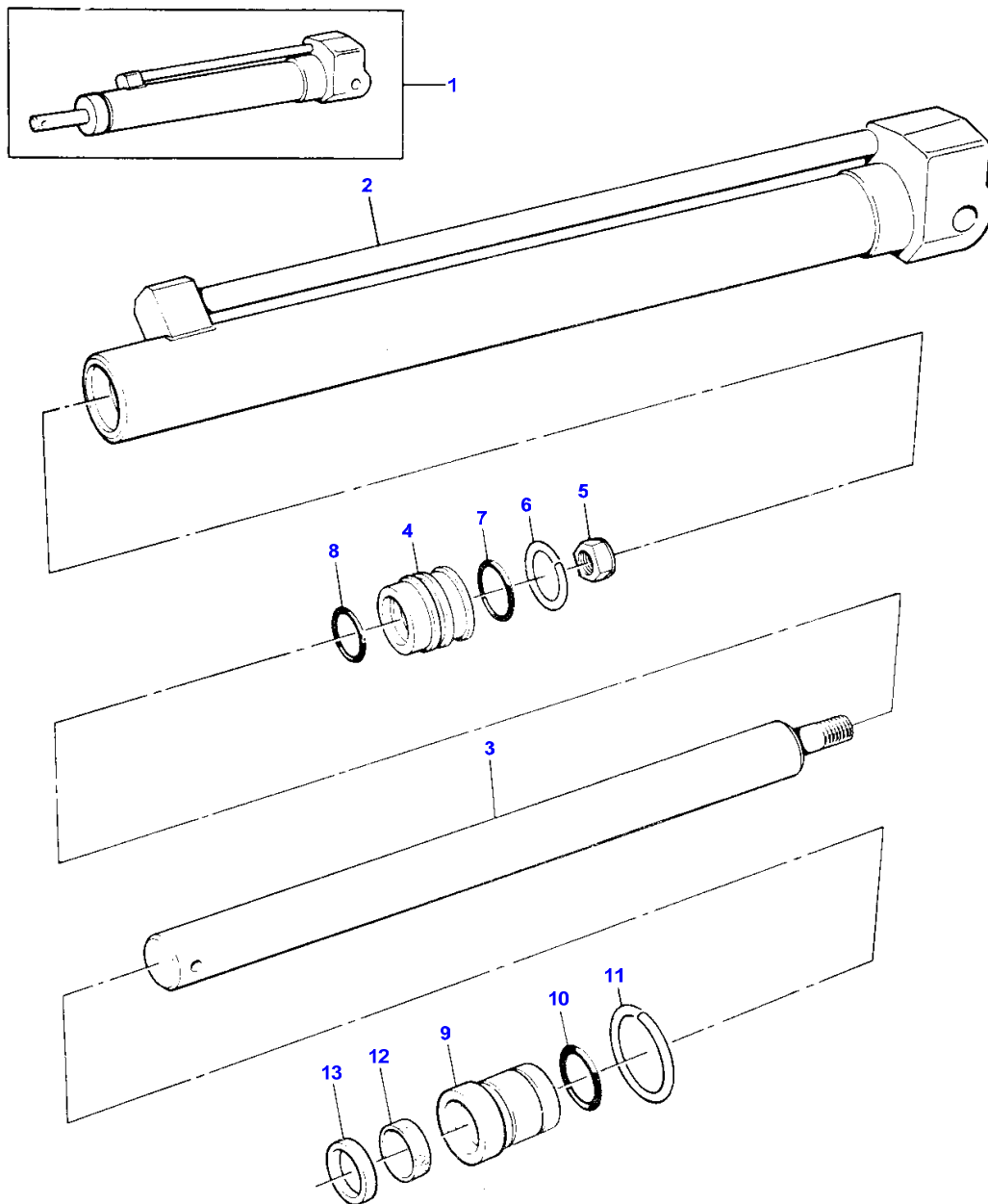
312

REEL  
RABATTEUR  
HASPEL  
ASPO  
MOLINETE

FORE AND AFT RAMS  
VERIN ANTERIEURS  
VERSTELZYLINDER  
CILINDRO LONGITUDINALE  
ARIETES DE ALCANCE

21183002

3-2118-002-A



PRINTED IN U.K.

520 525

819611-H (1)

REEL FORE AND AFT RAMS - NEW PROFILE TABLES

Item	Part Number	Qty	Description	Comments
				NEW PROFILE TABLES
1	1748381M91	1	Ram	Right Hand
	1748382M92	1	Ram	Left Hand
2	1607109M91	1	Barrel	(1) Right Hand
2	1607133M91	1	Barrel	(1) Left Hand
3	1607107M1	1	Rod	(1) Right Hand
3	1607131M1	1	Rod	(1) Left Hand
4	1607110M1	1	Piston	(1) Right Hand
4	1607134M1	1	Piston	(1) Left Hand
5	1442439X1	1	Nut	(1) Right Hand
5	1441502X1	1	Nut Metric	(1) Left Hand
6	1606801M1	1	Ring	(1) (A) Right Hand
6	1606975M1	1	Ring	(1) (B) Left Hand
7	367178X1	1	Ring	(1) (A) Right Hand
7	831582M1	1	O Ring	(1) (B) Left Hand
8	831582M1	1	O Ring	(1) (A) Right Hand
8	831520M1	1	O Ring	(1) (B) Left Hand
9	1607108M1	1	Bearing	(1) Right Hand
9	1607132M1	1	Bearing	(1) Left Hand
10	1748324M1	1	Ring	(1) (A) Right Hand
10	1881636M1	1	Seal	(1) (B) Left Hand
11	1748009M1	1	Wire	(1) Right Hand
11	1607142M1	1	Ring	(1) Left Hand
12	1748236M1	1	Seal	(1) (A) Right Hand
12	1034007M1	1	Seal	(1) (B) Left Hand
13	1442082X1	1	Seal	(1) (A) Right Hand
13	1441781X1	1	Seal	(1) (B) Left Hand
14	1607119M91	X	Kit, Seal	(1) (C) Right Hand
15	1607135M91	X	Kit, Seal	(1) (D) Left Hand

REEL FORE AND AFT RAMS - NEW PROFILE TABLES

Item Part Number Qty Description Comments

(A)  
CONTAINED IN KIT 1607 119 M91

(B)  
CONTAINED IN KIT 1607 135 M91

(C)  
CONTAINS ITEMS MARKED (A)

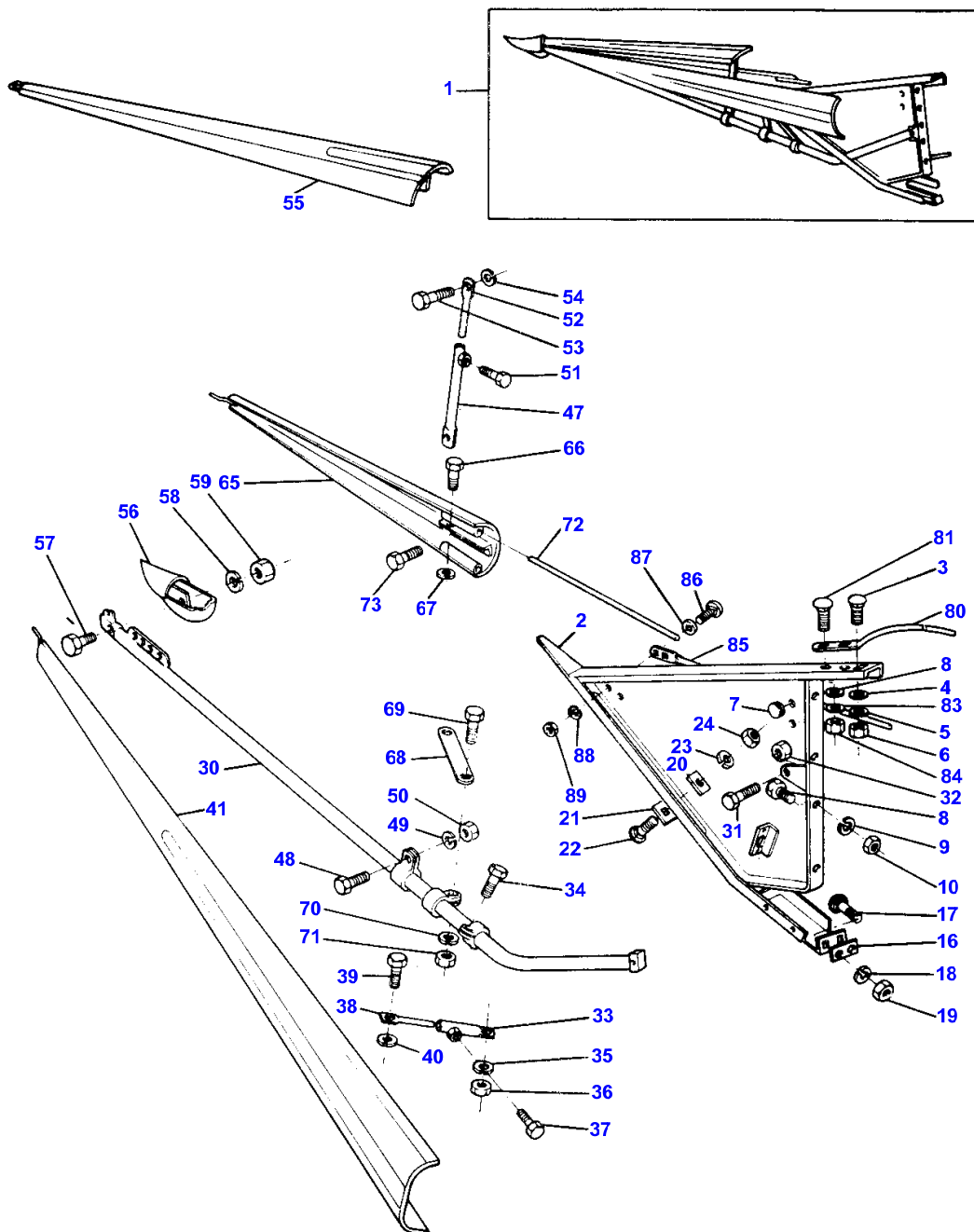
(D)  
CONTAINS ITEMS MARKED (B)

314

DIVIDER LEFT  
 DIVISEUR GAUCHE  
 ABTEILER LINKS  
 SPARTITORE SINISTRO  
 DIVISOR IZQUIERDO

21973001

3-2197-001-A



PRINTED IN U.K.

520 525

819611-H (1)



DIVIDER LEFT - FLOATING

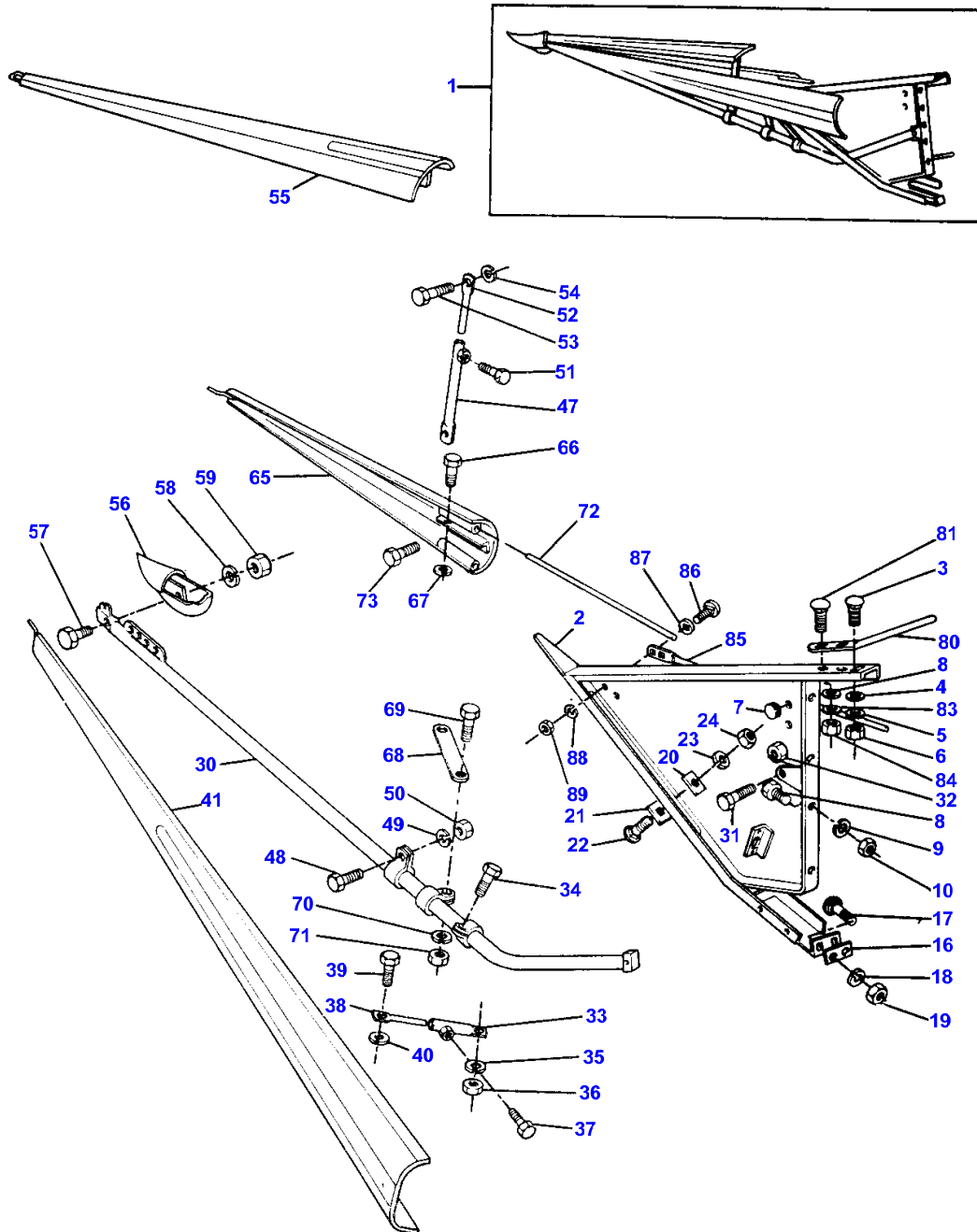
Item	Part Number	Qty	Description	Comments
				FLOATING
1	785756M94	1	Divider	
2	785506M94	1	Divider	(1)
3	353793X1	1	Bolt Unf	(1)
4	353755X1	1	Washer	(1)
5	353446X1	1	Lock Washer	(1)
6	353916X1	1	Nut Unf	(1)
7	793115M1	2	Plug	(1)
8	353518X1	4	Screw Unf	(1)
9	353446X1	4	Lock Washer	(1)
10	353916X1	4	Nut Unf	(1)
16	787126M1	1	Plate	(1)
17	353796X1	2	Bolt Unf	(1)
18	353446X1	2	Lock Washer	(1)
19	353916X1	2	Nut Unf	(1)
20	785499M1	1	Plate	(1)
21	788047M1	1	Plate	(1)
22	353814X1	1	Bolt Unf	(1)
23	353434X1	1	Lock Washer	(1)
24	353431X1	1	Nut Unf	(1)
30	787080M92	1	Tube	(1)
31	353549X1	1	Bolt Unf	(1)
32	376448X1	1	Nut Unf	(1)
33	787172M91	1	Tube	(1)
34	353565X1	1	Bolt Unf	(1)
35	353432X1	1	Lock Washer	(1)
36	353426X1	1	Nut Unf	(1)
37	353557X1	1	Screw Unf	(1)
38	785485M1	1	Tube	(1)
39	353557X1	1	Screw Unf	(1)
40	353432X1	1	Lock Washer	(1)
41	786743M91	1	Segment	(1)
47	785491M91	1	Tube	(1)
48	353565X1	1	Bolt Unf	(1)
49	353432X1	1	Lock Washer	(1)
50	353426X1	1	Nut Unf	(1)
51	353557X1	1	Screw Unf	(1)
52	787168M1	1	Tube	(1)
53	353557X1	1	Screw Unf	(1)
54	353432X1	1	Lock Washer	(1)
55	786769M91	1	Segment	(1)
56	787082M92	1	Shoe	(1)
57	353519X1	1	Screw Unf	(1)
58	353446X1	1	Lock Washer	(1)
59	353916X1	1	Nut Unf	(1)
65	786742M91	1	Segment	(1)
66	353557X1	1	Screw Unf	(1)
67	353432X1	1	Lock Washer	(1)
68	785494M1	1	Strap	(1)
69	353565X1	1	Bolt Unf	(1)
70	353432X1	1	Lock Washer	(1)
71	353426X1	1	Nut Unf	(1)
72	790708M1	2	Rod	(1)
73	353517X1	2	Screw Unf	(1)
80	789832M1	1	Deflector	(1)
81	353794X1	2	Bolt Unf	(1)
82	353755X1	2	Washer	(1)
83	353446X1	2	Lock Washer	(1)
84	353916X1	2	Nut Unf	(1)
85	911931M1	1	Deflector	(1)
86	353794X1	2	Bolt Unf	(1)
87	355618X1	2	Washer	(1)
88	353446X1	2	Lock Washer	(1)
89	353916X1	2	Nut Unf	(1)

318

DIVIDER EXTENSION LEFT  
 EXTENSION DIVISEUR GAUCHE  
 VORSATZABTEILER LINKS  
 PROLUNGA SPARTITORE SINISTRO  
 EXTENSION DIVISORES LADO IZQ

22023001

3-2202-001-A



PRINTED IN U.K.

520 525

819611-H (1)

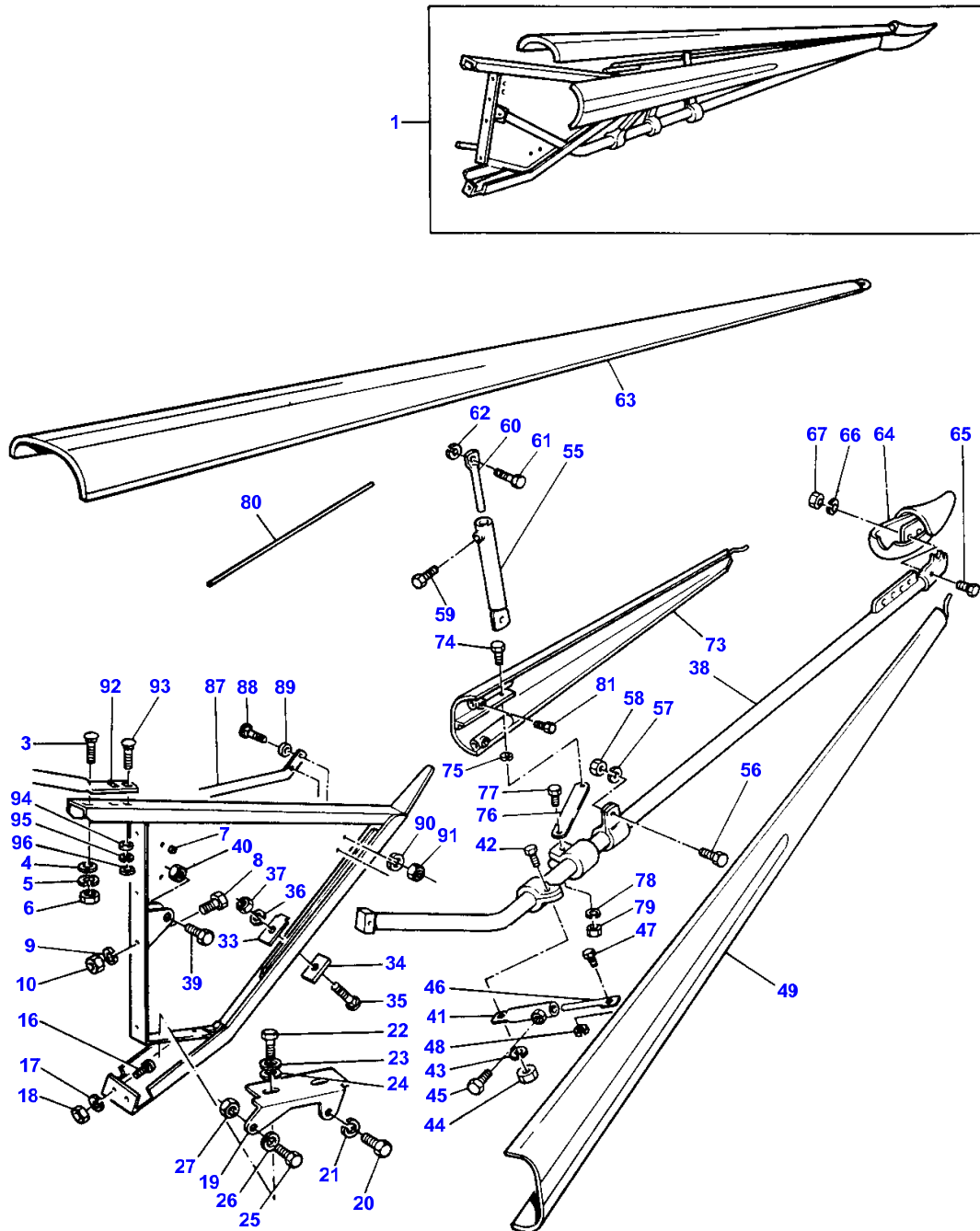
Item	Part Number	Qty	Description	Comments
				FLOATING
1	787173M94	1	Divider	
2	785506M94	1	Divider	(1)
3	353793X1	1	Bolt Unf	(1)
4	353755X1	1	Washer	(1)
5	353446X1	1	Lock Washer	(1)
6	353916X1	1	Nut Unf	(1)
7	793115M1	2	Plug	(1)
8	353518X1	4	Screw Unf	(1)
9	353446X1	4	Lock Washer	(1)
10	353916X1	4	Nut Unf	(1)
16	787126M1	1	Plate	(1)
17	353796X1	2	Bolt Unf	(1)
18	353446X1	2	Lock Washer	(1)
19	353916X1	2	Nut Unf	(1)
20	785499M1	1	Plate	(1)
21	788047M1	1	Plate	(1)
22	353814X1	1	Bolt Unf	(1)
23	353434X1	1	Lock Washer	(1)
24	353431X1	1	Nut Unf	(1)
30	787119M92	1	Tube	(1)
31	353549X1	1	Bolt Unf	(1)
32	376448X1	1	Nut Unf	(1)
33	787172M91	1	Tube	(1)
34	353565X1	1	Bolt Unf	(1)
35	353432X1	1	Lock Washer	(1)
36	353426X1	1	Nut Unf	(1)
37	353557X1	1	Screw Unf	(1)
38	787168M1	1	Tube	(1)
39	353557X1	1	Screw Unf	(1)
40	353432X1	1	Lock Washer	(1)
41	787118M91	1	Segment	(1)
47	787172M91	1	Tube	(1)
48	353565X1	1	Bolt Unf	(1)
49	353432X1	1	Lock Washer	(1)
50	353426X1	1	Nut Unf	(1)
51	353557X1	1	Screw Unf	(1)
52	787168M1	1	Tube	(1)
53	353557X1	1	Screw Unf	(1)
54	353432X1	1	Lock Washer	(1)
55	787115M91	1	Segment	(1)
56	787082M92	1	Shoe	(1)
57	353519X1	1	Screw Unf	(1)
58	353446X1	1	Lock Washer	(1)
59	353916X1	1	Nut Unf	(1)
65	787117M91	1	Segment	(1)
66	353557X1	1	Screw Unf	(1)
67	353432X1	1	Lock Washer	(1)
68	787166M1	1	Strap	(1)
69	353565X1	1	Bolt Unf	(1)
70	353432X1	1	Lock Washer	(1)
71	353426X1	1	Nut Unf	(1)
72	790708M1	2	Rod	(1)
73	353517X1	2	Screw Unf	(1)
80	789832M1	1	Deflector	(1)
81	353794X1	2	Bolt Unf	(1)
82	353755X1	2	Washer	(1)
83	353446X1	2	Lock Washer	(1)
84	353916X1	2	Nut Unf	(1)
85	911931M1	1	Deflector	(1)
86	353794X1	2	Bolt Unf	(1)
87	355618X1	2	Washer	(1)
88	353446X1	2	Lock Washer	(1)
89	353916X1	2	Nut Unf	(1)

322

DIVIDER RIGHT  
 DIVISEUR DROIT  
 ABTEILER RECHTS  
 SPARTITORE DESTRO  
 DIVISOR DERECHO

21983001

3-2196-001-A



PRINTED IN U.K.

520 525

819611-H (1)

DIVIDER RIGHT - FLOATING

Item	Part Number	Qty	Description	Comments
				FLOATING
1	785757M93	1	Divider	
2	785470M92	1	Divider	(1)
3	353793X1	1	Bolt Unf	(1)
4	353755X1	1	Washer	(1)
5	353446X1	1	Lock Washer	(1)
6	353916X1	1	Nut Unf	(1)
7	793115M1	2	Plug	(1)
8	353517X1	4	Screw Unf	(1)
9	375645X1	4	Bolt Unf	(1)
10	353916X1	4	Nut Unf	(1)
16	353796X1	2	Bolt Unf	(1)
17	353446X1	2	Lock Washer	(1)
18	353916X1	2	Nut Unf	(1)
19	785498M1	1	Guard	(1)
20	353502X1	1	Screw Unf	(1)
21	353441X1	1	Lock Washer	(1)
22	353502X1	2	Screw Unf	(1)
23	353754X1	2	Washer	(1)
24	353441X1	2	Lock Washer	(1)
25	353502X1	1	Screw Unf	(1)
26	353441X1	1	Lock Washer	(1)
27	353918X1	1	Nut Unf	(1)
33	785499M1	1	Plate	(1)
34	788047M1	1	Plate	(1)
35	353814X1	1	Bolt Unf	(1)
36	353434X1	1	Lock Washer	(1)
37	353431X1	1	Nut Unf	(1)
38	787080M92	1	Tube	(1)
39	353549X1	1	Bolt Unf	(1)
40	376448X1	1	Nut Unf	(1)
41	787172M91	1	Tube	(1)
42	353565X1	1	Bolt Unf	(1)
43	353432X1	1	Lock Washer	(1)
44	353426X1	1	Nut Unf	(1)
45	353557X1	1	Screw Unf	(1)
46	785485M1	1	Tube	(1)
47	353557X1	1	Screw Unf	(1)
48	353432X1	1	Lock Washer	(1)
49	786743M91	1	Segment	(1)
55	785491M91	1	Tube	(1)
56	353565X1	1	Bolt Unf	(1)
57	353432X1	1	Lock Washer	(1)
58	353426X1	1	Nut Unf	(1)
59	353557X1	1	Screw Unf	(1)
60	787168M1	1	Tube	(1)
61	353557X1	1	Screw Unf	(1)
62	353432X1	1	Lock Washer	(1)
63	786877M91	1	Segment	(1)
64	787082M92	1	Shoe	(1)
65	353519X1	1	Screw Unf	(1)
66	353446X1	1	Lock Washer	(1)
67	353916X1	1	Nut Unf	(1)
73	786742M91	1	Segment	(1)
74	353557X1	1	Screw Unf	(1)
75	353432X1	1	Lock Washer	(1)
76	785494M1	1	Strap	(1)
77	353565X1	1	Bolt Unf	(1)
78	353432X1	1	Lock Washer	(1)
79	353426X1	1	Nut Unf	(1)
80	790708M1	2	Rod	(1)
81	353517X1	2	Screw Unf	(1)
87	911931M1	1	Deflector	(1)
88	353794X1	2	Bolt Unf	(1)
89	355618X1	2	Washer	(1)
90	353446X1	2	Lock Washer	(1)
91	353916X1	2	Nut Unf	(1)
92	789833M1	1	Deflector	(1)
93	353794X1	2	Bolt Unf	(1)

**MASSEY FERGUSON**  
**MF 520/525 COMBINES - 819611**

**819611**

**322**

**DIVIDER RIGHT - FLOATING**

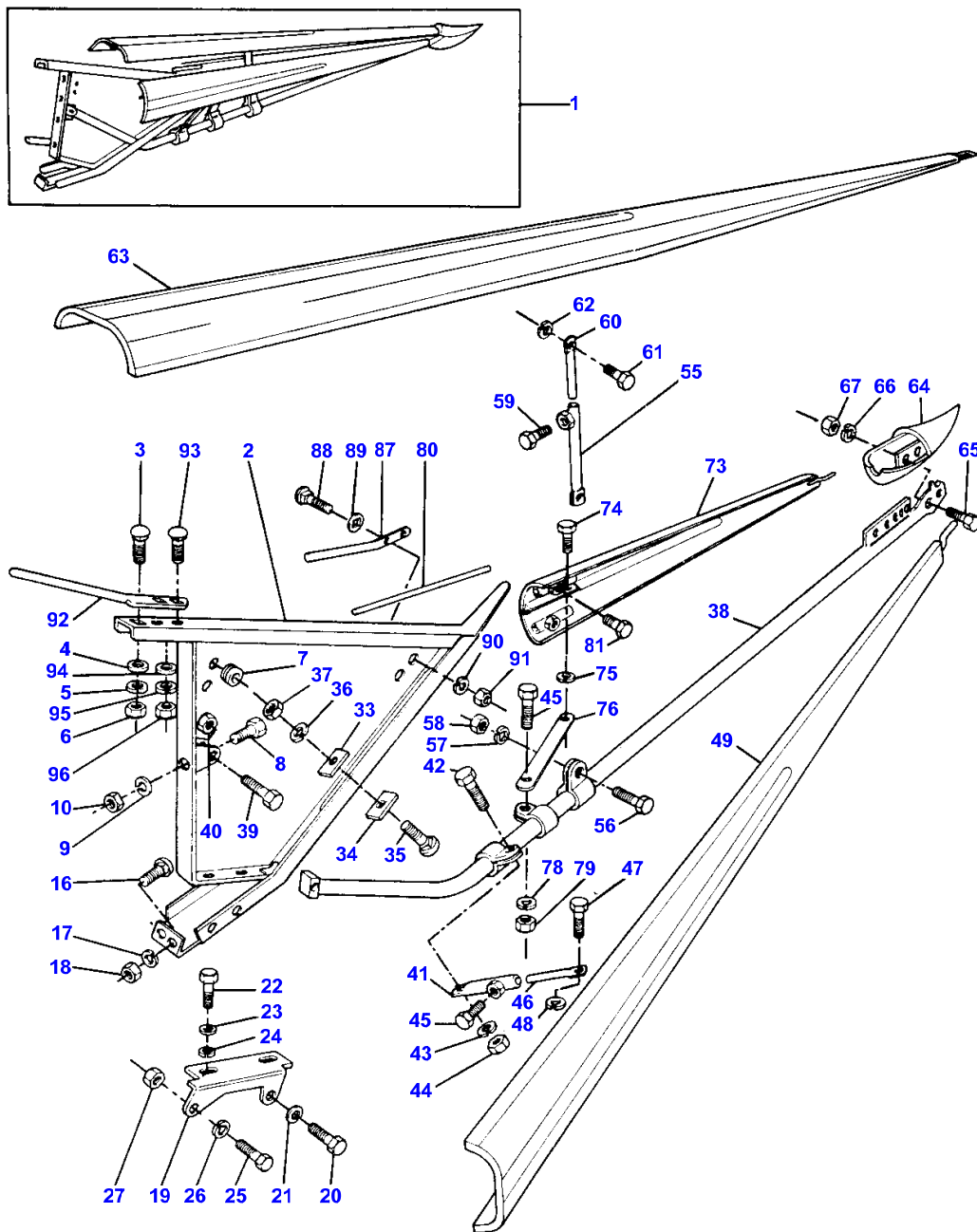
<b>Item</b>	<b>Part Number</b>	<b>Qty</b>	<b>Description</b>	<b>Comments</b>
94	353755X1	2	Washer	(1)
95	353446X1	2	Lock Washer	(1)
96	353916X1	2	Nut Unf	(1)

326

DIVIDER EXTENSION RIGHT  
 EXTENSION DIVISEUR DROIT  
 VORSATZABTEILER RECHTS  
 PROLUNGA SPARTITORE DESTRO  
 EXTENSION DIVISORES LADO PERECHO

22013001

3-2201-001-A



PRINTED IN U.K.

520 525

819611-H (1)

## DIVIDER EXTENSION RIGHT - FLOATING

Item	Part Number	Qty	Description	Comments
				FLOATING
1	787174M93	1	Divider	
2	785470M92	1	Divider	(1)
3	353793X1	1	Bolt Unf	(1)
4	353755X1	1	Washer	(1)
5	353446X1	1	Lock Washer	(1)
6	353916X1	1	Nut Unf	(1)
7	793115M1	2	Plug	(1)
8	353517X1	4	Screw Unf	(1)
9	375645X1	4	Bolt Unf	(1)
10	355916X1	4	Circlip	(1)
16	353795X1	2	Bolt Unf	(1)
17	353446X1	2	Lock Washer	(1)
18	353916X1	2	Nut Unf	(1)
19	785498M1	1	Guard	(1)
20	353502X1	1	Screw Unf	(1)
21	353441X1	1	Lock Washer	(1)
22	353502X1	2	Screw Unf	(1)
23	353754X1	2	Washer	(1)
24	353441X1	2	Lock Washer	(1)
25	353502X1	1	Screw Unf	(1)
26	353441X1	1	Lock Washer	(1)
27	353918X1	1	Nut Unf	(1)
33	785499M1	1	Plate	(1)
34	788047M1	1	Plate	(1)
35	353814X1	1	Bolt Unf	(1)
36	353434X1	1	Lock Washer	(1)
37	353431X1	1	Nut Unf	(1)
38	787119M92	1	Tube	(1)
39	353549X1	1	Bolt Unf	(1)
40	376448X1	1	Nut Unf	(1)
41	787172M91	1	Tube	(1)
42	353565X1	1	Bolt Unf	(1)
43	353432X1	1	Lock Washer	(1)
44	353426X1	1	Nut Unf	(1)
45	353557X1	1	Screw Unf	(1)
46	787168M1	1	Tube	(1)
47	353557X1	1	Screw Unf	(1)
48	353432X1	1	Lock Washer	(1)
49	787118M91	1	Segment	(1)
55	787172M91	1	Tube	(1)
56	353565X1	1	Bolt Unf	(1)
57	353432X1	1	Lock Washer	(1)
58	353426X1	1	Nut Unf	(1)
59	353557X1	1	Screw Unf	(1)
60	787168M1	1	Tube	(1)
61	353557X1	1	Screw Unf	(1)
62	353432X1	1	Lock Washer	(1)
63	787116M91	1	Segment	(1)
64	787082M92	1	Shoe	(1)
65	353519X1	1	Screw Unf	(1)
66	353446X1	1	Lock Washer	(1)
67	353916X1	1	Nut Unf	(1)
73	787117M91	1	Segment	(1)
74	353557X1	1	Screw Unf	(1)
75	353432X1	1	Lock Washer	(1)
76	787166M1	1	Strap	(1)
77	353565X1	1	Bolt Unf	(1)
78	353432X1	1	Lock Washer	(1)
79	353426X1	1	Nut Unf	(1)
80	790708M1	2	Rod	(1)
81	353517X1	2	Screw Unf	(1)
87	911931M1	1	Deflector	(1)
88	353794X1	2	Bolt Unf	(1)
89	353618X1	2	Bolt Unf	(1)
90	353446X1	2	Lock Washer	(1)
91	353916X1	2	Nut Unf	(1)
92	789832M1	1	Deflector	(1)
93	353794X1	2	Bolt Unf	(1)



**MASSEY FERGUSON****MF 520/525 COMBINES - 819611****819611****DIVIDER EXTENSION RIGHT - FLOATING****326**

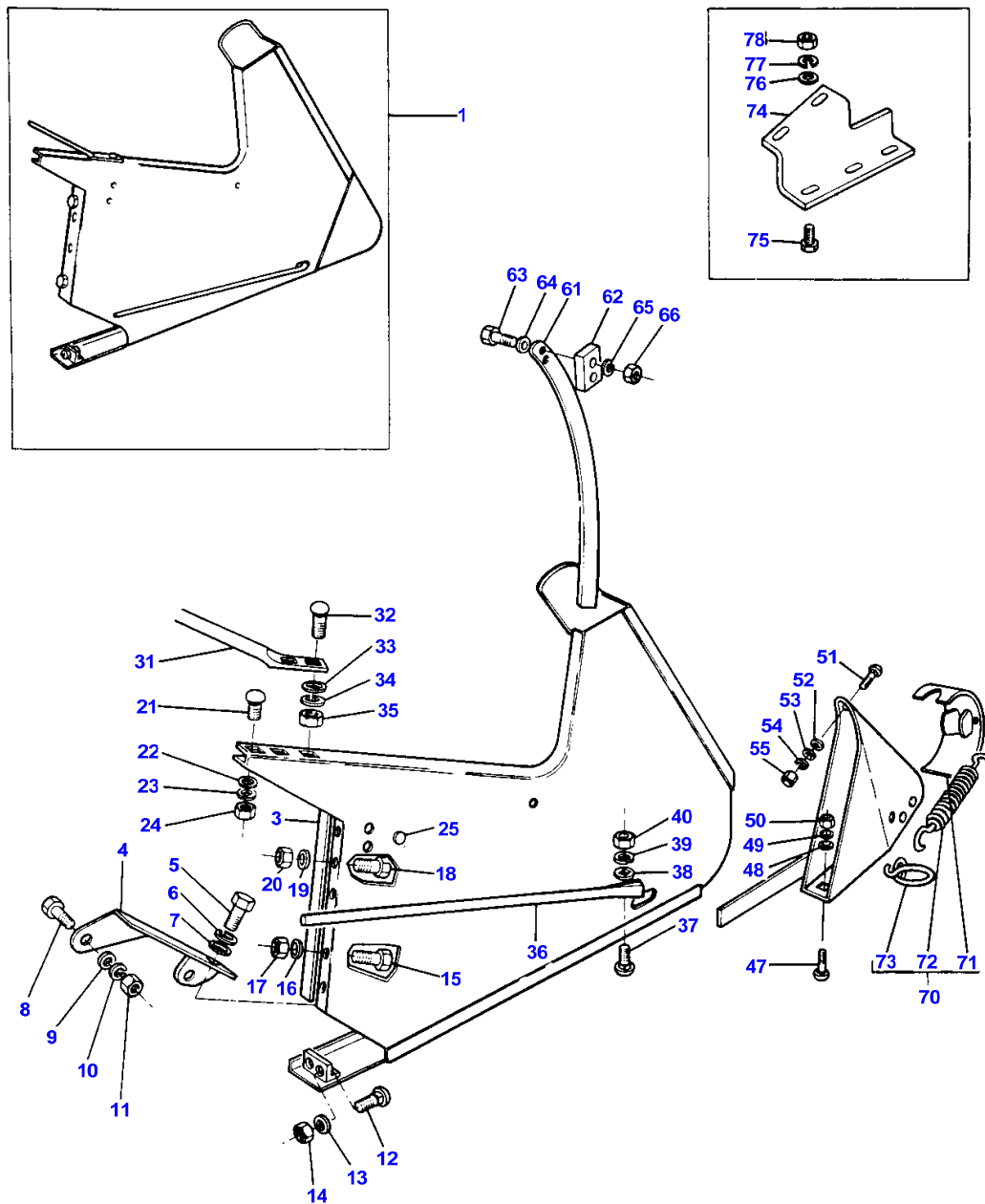
<b>Item</b>	<b>Part Number</b>	<b>Qty</b>	<b>Description</b>	<b>Comments</b>
94	353755X1	2	Washer	(1)
95	353446X1	2	Lock Washer	(1)
96	353916X1	2	Nut Unf	(1)

330

DIVIDER  
 DIVISEUR  
 ABTEILER  
 SPARTITORE  
 DIVISOR

21953001

3-2195-001-A



PRINTED IN U.K.

520 525

819611-H (1)

DIVIDER - RIGID

Item	Part Number	Qty	Description	Comments RIGID
1	789282M96	1	Divider	
2	789265M95	1	Divider	(1)
3	784996M2	1	Support	(1)
4	353792X1	3	Bolt Unf	(1)
5	353755X1	3	Washer	(1)
6	353446X1	3	Lock Washer	(1)
7	353916X1	3	Nut Unf	(1)
8	789278M1	1	Packer	(1)
9	785498M1	1	Guard	(1)
10	353502X1	2	Screw Unf	(1)
11	353754X1	2	Washer	(1)
12	353441X1	2	Lock Washer	(1)
13	353502X1	2	Screw Unf	(1)
14	353754X1	2	Washer	(1)
15	353441X1	2	Lock Washer	(1)
16	353918X1	2	Nut Unf	(1)
17	353796X1	2	Bolt Unf	(1)
18	353446X1	2	Lock Washer	(1)
19	353916X1	2	Nut Unf	(1)
20	353519X1	2	Screw Unf	(1)
21	353446X1	2	Lock Washer	(1)
22	353916X1	2	Nut Unf	(1)
23	353519X1	2	Screw Unf	(1)
24	353446X1	2	Lock Washer	(1)
25	353916X1	2	Nut Unf	(1)
26	353793X1	1	Bolt Unf	(1)
27	353755X1	1	Washer	(1)
28	353446X1	1	Lock Washer	(1)
29	353916X1	1	Nut Unf	(1)
30	793115M1	1	Plug	(1)
31	789833M1	1	Deflector	(1)
32	353794X1	2	Bolt Unf	(1)
33	353755X1	2	Washer	(1)
34	353446X1	2	Lock Washer	(1)
35	353916X1	2	Nut Unf	(1)
36	404461M92	1	Tube	(1)
37	353793X1	2	Bolt Unf	(1)
38	353755X1	2	Washer	(1)
39	353446X1	2	Lock Washer	(1)
40	353916X1	2	Nut Unf	(1)
46	791441M92	1	Shoe	(1)
47	353792X1	1	Bolt Unf	(1)
48	353755X1	1	Washer	(1)
49	353446X1	1	Lock Washer	(1)
50	353916X1	1	Nut Unf	(1)
51	353792X1	1	Bolt Unf	(1)
52	376818X1	1	Washer	(1)
53	353755X1	1	Washer	(1)
54	353446X1	1	Lock Washer	(1)
55	353916X1	1	Nut Unf	(1)
61	789279M2	1	Plate	(1)
62	789277M2	1	Block	(1)
63	359994X1	2	Bolt Unf	(1)
	357306X1	2	Bolt Unf	(1)
64	353754X1	2	Washer	(1)
65	353441X1	2	Lock Washer	(1)
	353446X1	2	Lock Washer	(1)
66	353918X1	2	Nut Unf	(1)
	353916X1	2	Nut Unf	(1)
70	404794M92	1	Guard	(1)
				For Germany only or any text in German only
71		1	Guard	(70)
				Not serviced, order 404 794 M92
72	326639M1	1	Spring	(70)
73	322979M1	1	Knotter Hook	(70)
74	1616521M2	1	Support	
75	353792X1	3	Bolt Unf	
76	353755X1	3	Washer	

**MASSEY FERGUSON**  
**MF 520/525 COMBINES - 819611**

**819611**

**330**

**DIVIDER - RIGID**

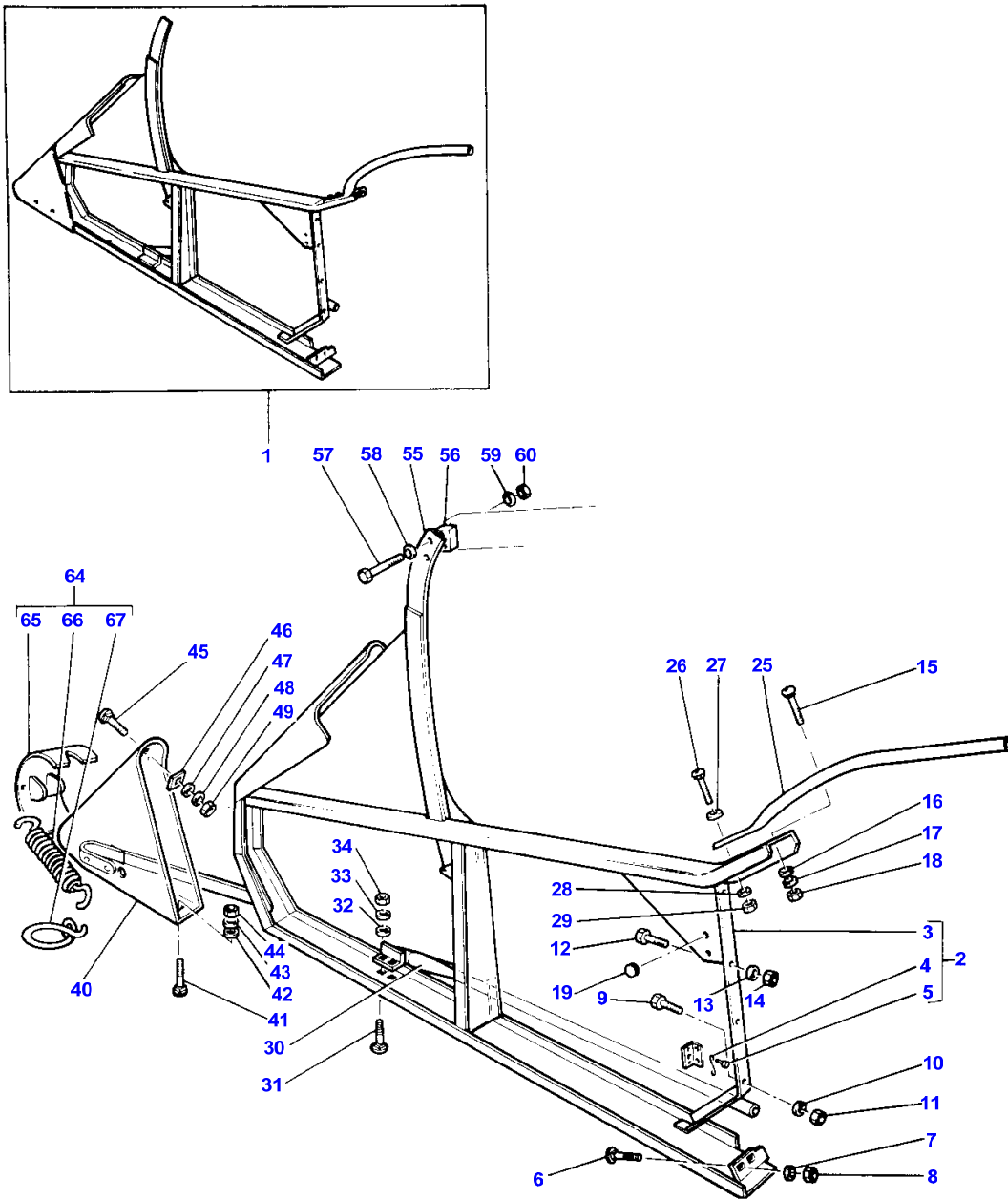
<b>Item</b>	<b>Part Number</b>	<b>Qty</b>	<b>Description</b>	<b>Comments</b>
77	353446X1	3	Lock Washer	
78	353916X1	3	Nut Unf	

334

DIVIDER  
 DIVISEUR  
 ABTEILER  
 SPARTITORE  
 DIVISOR

21953002

3-2195-002-A



PRINTED IN U.K.

520 525

819611-H (1)

DIVIDER - RIGID

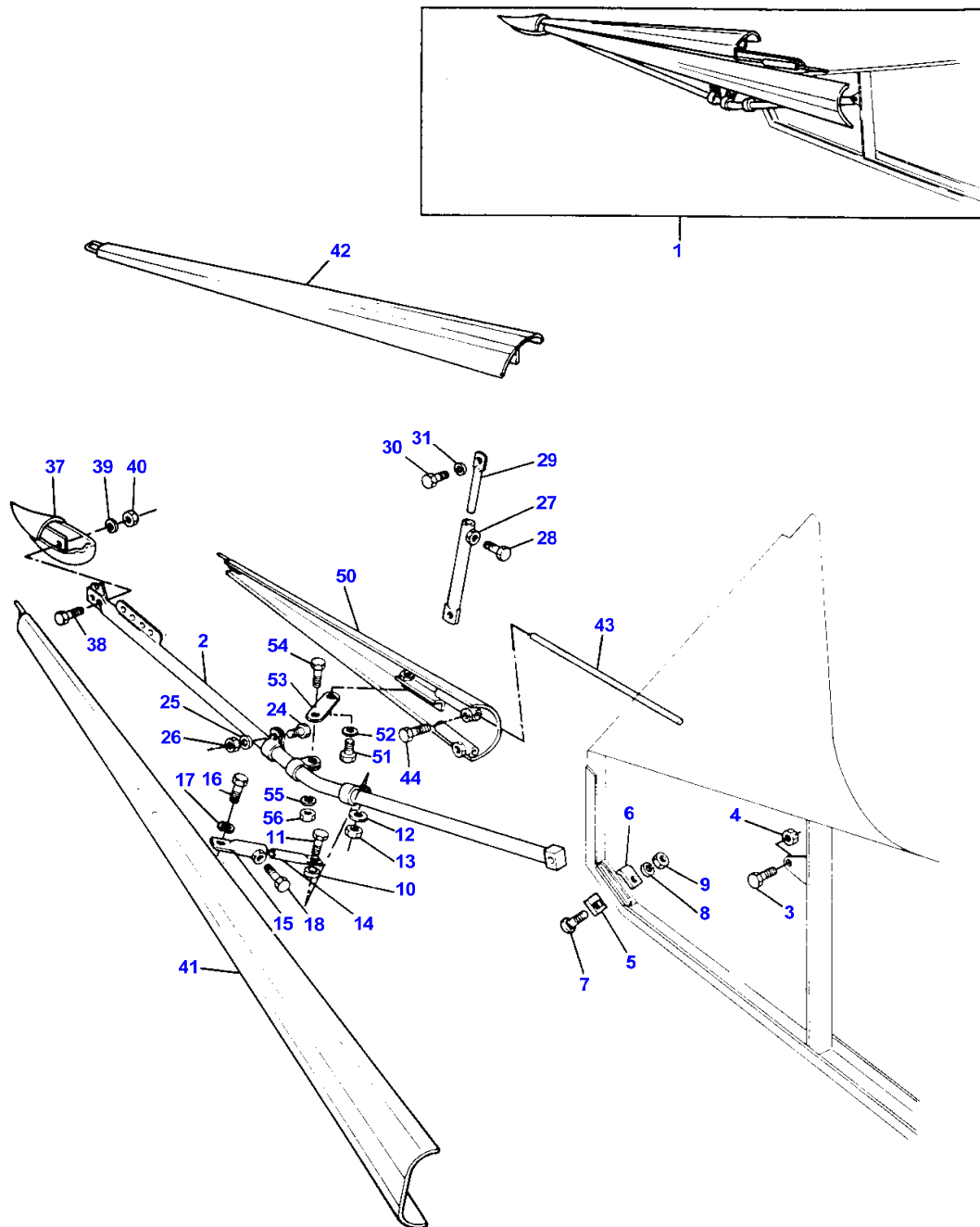
Item	Part Number	Qty	Description	Comments
				RIGID
1	789281M96	1	Divider	Left Hand
	789281M96	1	Divider	
2	789264M93	1	Divider	(1)
3		1	Divider	(2)
				Not serviced, order 789 264 M93
4	785601M1	1	Spring	(2)
5	16861X	2	Rivet	(2)
6	353796X1	2	Bolt Unf	(1)
7	353446X1	2	Lock Washer	(1)
8	353916X1	2	Nut Unf	(1)
9	353519X1	2	Screw Unf	(1)
10	353446X1	2	Lock Washer	(1)
11	353916X1	2	Nut Unf	(1)
12	353519X1	2	Screw Unf	(1)
13	353446X1	2	Lock Washer	(1)
14	353916X1	2	Nut Unf	(1)
15	353793X1	1	Bolt Unf	(1)
16	353755X1	1	Washer	(1)
17	353446X1	1	Lock Washer	(1)
18	353916X1	1	Nut Unf	(1)
19	793115M1	2	Plug	(1)
25	789832M1	2	Deflector	(1)
26	353794X1	2	Bolt Unf	(1)
27	353755X1	2	Washer	(1)
28	353446X1	2	Lock Washer	(1)
29	353916X1	2	Nut Unf	(1)
30	404562M92	1	Tube	(1)
31	353793X1	2	Bolt Unf	(1)
32	353755X1	2	Washer	(1)
33	353446X1	2	Lock Washer	(1)
34	353916X1	2	Nut Unf	(1)
40	791440M92	1	Shoe	(1)
41	353792X1	1	Bolt Unf	(1)
42	353755X1	1	Washer	(1)
43	353446X1	1	Lock Washer	(1)
44	353916X1	1	Nut Unf	(1)
45	353792X1	1	Bolt Unf	(1)
46	376818X1	1	Washer	(1)
47	353755X1	1	Washer	(1)
48	353446X1	1	Lock Washer	(1)
49	353916X1	1	Nut Unf	(1)
55	789279M2	1	Plate	(1)
56	789277M2	1	Block	(1)
57	359994X1	2	Bolt Unf	(1)
				Up to Serial or Engine Number 1234
57	357308X1	2	Bolt Unf	(1)
				From Serial or Engine Number 1234
58	353754X1	2	Washer	(1)
				Up to Serial or Engine Number 1234
59	353441X1	2	Lock Washer	(1)
				Up to Serial or Engine Number 1234
59	353446X1	2	Lock Washer	(1)
				From Serial or Engine Number 1234
60	353918X1	2	Nut Unf	(1)
				Up to Serial or Engine Number 1234
60	353916X1	2	Nut Unf	(1)
				From Serial or Engine Number 1234
64	404790M92	1	Guard	For Germany only or any text in German only
65		1	Guard	(64)
				Not serviced, order 404 790 M92
66	326639M1	1	Spring	(64)
67	322979M1	1	Knotter Hook	(64)

338

DIVIDER EXTENSION  
 EXTENSION DE DIVISEUR  
 VORSATZABTEILER  
 PROLUNGA SPARTITORE  
 EXTENSION DIVISORES

22003001

3-2200-001-A



PRINTED IN U.K.

520 525

819611-H (1)

DIVIDER EXTENSION - RIGID

Item	Part Number	Qty	Description	Comments
				RIGID
1	789431M92	1	Extension	
	789432M92	1	Extension	
2	789402M91	1	Tube	(1)
3	353549X1	1	Bolt Unf	(1)
4	376448X1	1	Nut Unf	(1)
5	788047M1	1	Plate	(1)
6	785499M1	1	Plate	(1)
7	353814X1	1	Bolt Unf	(1)
8	353434X1	1	Lock Washer	(1)
9	353431X1	1	Nut Unf	(1)
10	789408M1	1	Block	(1)
11	353571X1	1	Bolt Unf	(1)
12	353432X1	1	Lock Washer	(1)
13	353426X1	1	Nut Unf	(1)
14	787167M1	1	Tube	(1)
15	785486M91	1	Tube	(1)
16	353557X1	1	Screw Unf	(1)
17	353432X1	1	Lock Washer	(1)
18	353557X1	1	Screw Unf	(1)
24	353565X1	1	Bolt Unf	(1)
25	353432X1	1	Lock Washer	(1)
26	353426X1	1	Nut Unf	(1)
27	789405M91	1	Tube	(1)
28	353557X1	1	Screw Unf	(1)
29	789407M1	1	Tube	(1)
30	353557X1	1	Screw Unf	(1)
31	353432X1	1	Lock Washer	(1)
37	787082M92		Shoe	(1)
38	353519X1	1	Screw Unf	(1)
39	353446X1	1	Lock Washer	(1)
40	353916X1	1	Nut Unf	(1)
41	789404M91	1	Segment	(1)
42	789410M91	1	Segment	(1)
43	790708M1	2	Rod	(1)
44	353517X1	2	Screw Unf	(1)
50	789411M91	1	Segment	(1)
51	353557X1	1	Screw Unf	(1)
52	353432X1	1	Lock Washer	(1)
53	789409M1	1	Strap	(1)
54	353565X1	1	Bolt Unf	(1)
55	353432X1	1	Lock Washer	(1)
56	353426X1	1	Nut Unf	(1)

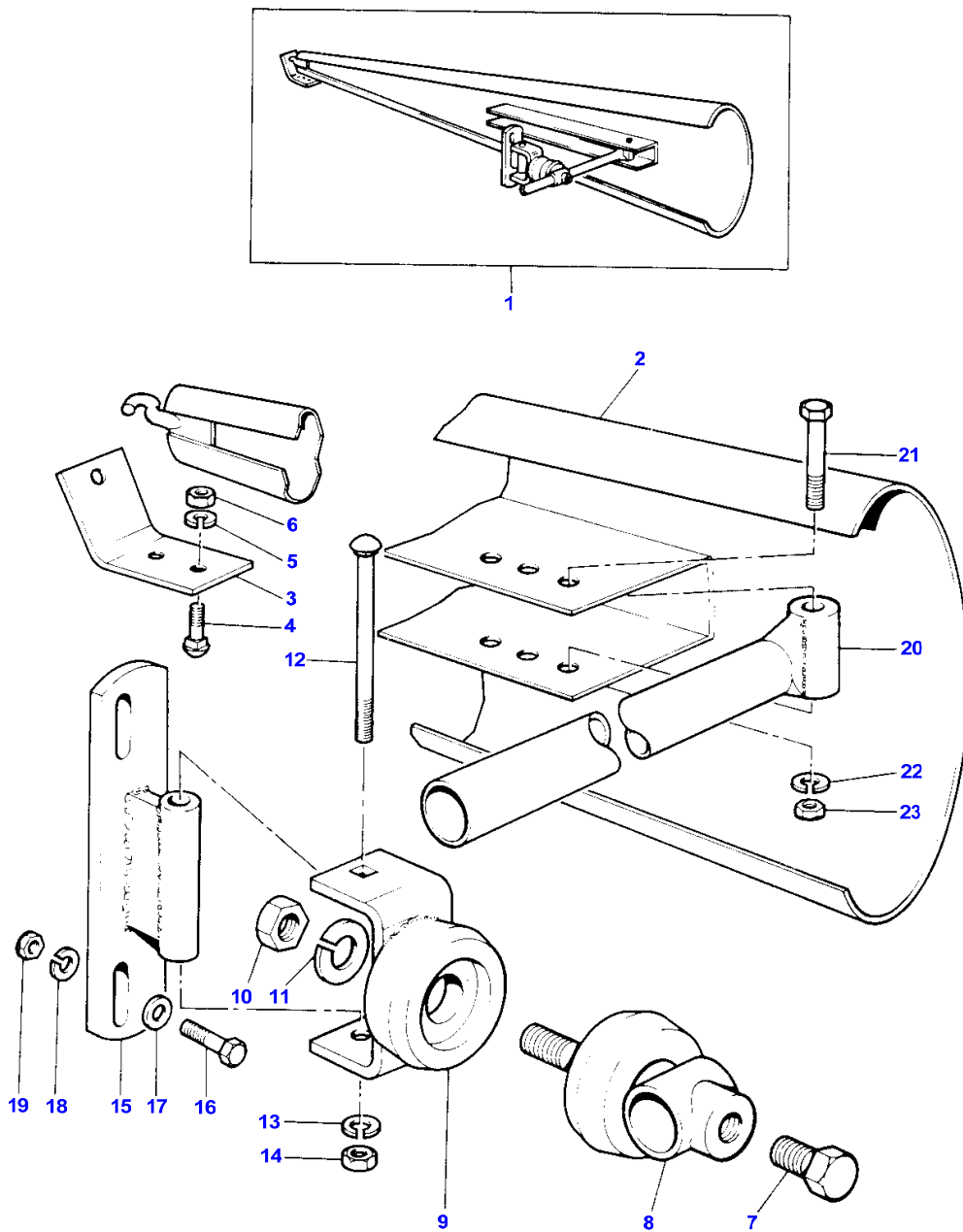


340

FENDER ROD KIT  
 JEU DE TIGES DE DIVISEURS  
 ABWEISERSATZ  
 KIT ASTA PARASPRUZZI  
 JUEGO DE BARRAS PARA GUARDABARROS

22043001

3-2204-001-A



PRINTED IN U.K.

520 525

819611-H (1)

FENDER ROD KIT

Item	Part Number	Qty	Description	Comments
1	797406M91	1	Kit	
2	782974M91	1	Fender	(1)
3	782964M1	1	Bracket	(1)
4	353793X1	2	Bolt Unf	(1)
5	353446X1	1	Lock Washer	(1)
6	353916X1	4	Nut Unf	(1)
7	353562X1	1	Screw Unf	(1)
8	791516M91	1	Disc	(1)
9	791517M91	1	Plate	(1)
10	353431X1	1	Nut Unf	(1)
11	353434X1	1	Lock Washer	(1)
12	353823X1	1	Bolt	(1)
13	353434X1	1	Lock Washer	(1)
14	353431X1	1	Nut Unf	(1)
15	791520M91	1	Plate	(1)
16	353519X1	2	Screw Unf	(1)
17	353755X1	2	Washer	(1)
18	353446X1	4	Lock Washer	(1)
19	353916X1	1	Nut Unf	(1)
20	404642M91	1	Tube	(1)
21	353546X1	1	Screw	(1)
22	353434X1	3	Lock Washer	(1)
23	353431X1	3	Nut Unf	(1)

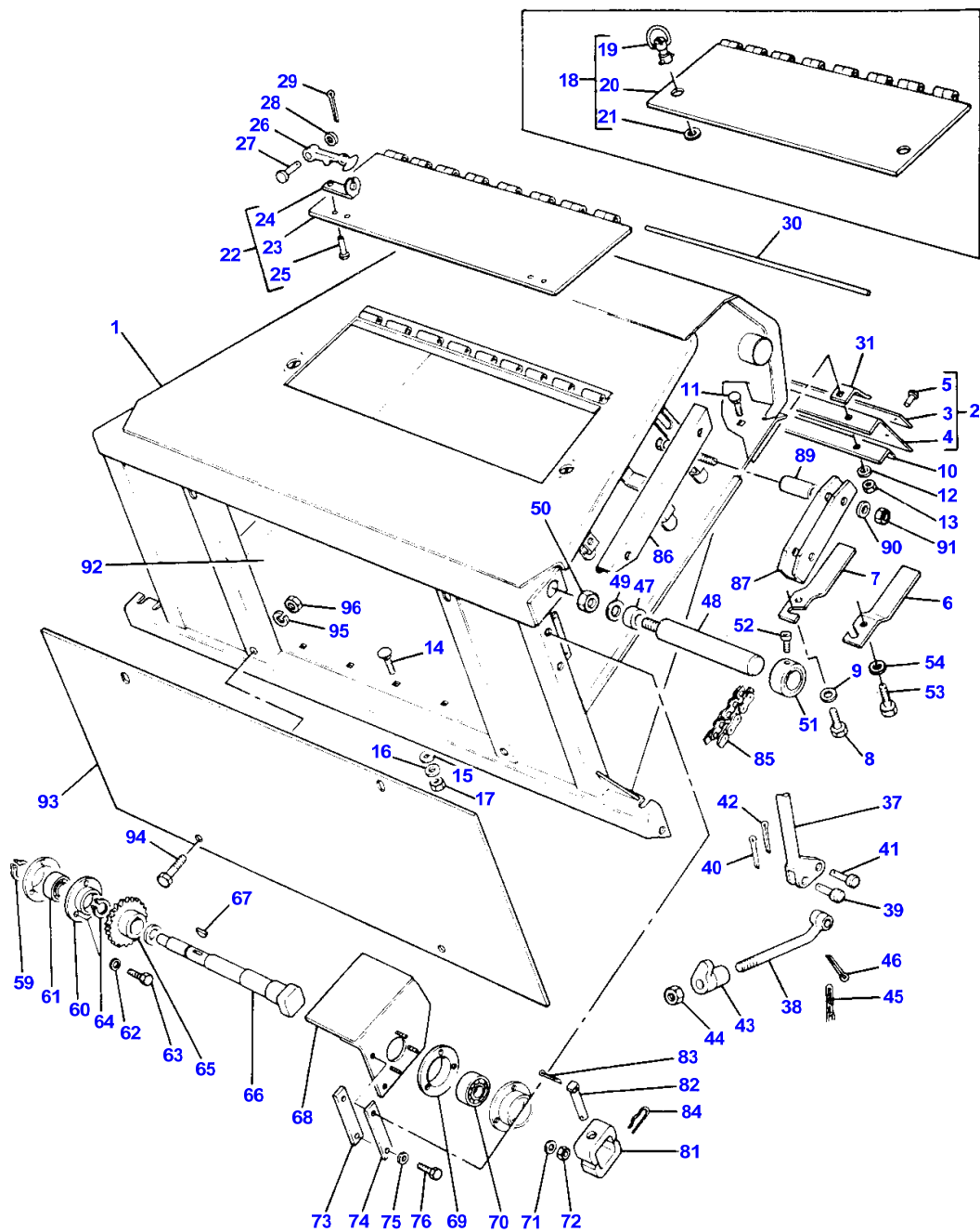
342

HOUSING  
CAISSON  
GEHAEUSE - EINZUGSELEVATOR  
CARCASSA  
CARCASA

TABLE ELEVATOR  
TABLE ELEVATEUR  
TISCH EINZUGSELEVATOR  
TAVOLA ELEVATORE  
PLATAFORMA ELEVADOR

23403001

3-2340-001-A



PRINTED IN U.K.

520 525

819611-H (1)

HOUSING-TABLE ELEVATOR - NORMAL

Item	Part Number	Qty	Description	Comments
				NORMAL
1	789106M94	1	Elevator	(B) Up to Serial or Engine Number 2017
1	1615360M92	1	Elevator	(B) From Serial or Engine Number 2017 Up to Serial or Engine Number 2608
1	1615360M93	1	Elevator	(C) From Serial or Engine Number 2608 Up to Serial or Engine Number 2973
1	1615360M94	1	Elevator	(D) From Serial or Engine Number 2973
2	784969M92	1	Rubber Strap	
3		1	.	(2) Not serviced, order 784969M92
4		1	.	(2) Not serviced, order 784969M92
5	377053X1	8	Rivet	(2)
6	1855511M3	2	Strap	Left Hand Up to Serial or Engine Number 2608
6	1616285M1	2	Strap	Left Hand From Serial or Engine Number 2608
7	1855512M3	1	Strap	Right Hand Up to Serial or Engine Number 2608
7	1616286M1	1	Strap	Right Hand From Serial or Engine Number 2608
8	353520X1	3	Bolt Unf	Up to Serial or Engine Number 2608
	353561X1	3	Screw Unf	From Serial or Engine Number 2608
9	361228X1	3	Washer	Up to Serial or Engine Number 2608
	904468M1	3	Washer	From Serial or Engine Number 2608
10	784978M2	4	Anglepiece	
11	353827X1	4	Bolt Unf	
12	353432X1	4	Lock Washer	
13	353426X1	4	Nut Unf	
14	353783X1	5	Bolt Unf	
15	376394X1	5	Washer	
16	353441X1	5	Lock Washer	
17	353918X1	5	Nut Unf	
18	783594M91	1	Door	Up to Serial or Engine Number 2973
19		1	.	(18) Not serviced, order 783594M91
20	783593M1	2	Stud	(18)
21	786051M2	2	Cup	(18)
22	1615624M91	1	Door	From Serial or Engine Number 2973
23		1	.	(22) Not serviced, order 1615624M91
24	403659M1	2	Angle	(22)
25	29017X	4	Rivet	(22)
26	403657M1	2	Fastener	From Serial or Engine Number 2973
27	403660M1	2	Pin	From Serial or Engine Number 2973
28	390146X1	2	Washer Metric	From Serial or Engine Number 2973
29	390147X1	2	Pin	From Serial or Engine Number 2973
30	786751M1	1	Rod	
31	784975M1	4	Spring	
37	786113M1	2	Lever	
38	786108M1	2	Bolt	
39	195350M1	2	Clevis Pin	
40	354076X1	2	Pin	
41	195352M1	2	Pin	
42	354076X1	2	Pin	
43	786114M1	2	Knotter Hook	
44	376811X1	2	Nut Unc	
45	787723M1	2	Chain	
46	354076X1	2	Pin	
47	377176X1	2	Spacer	
48	787903M1	2	Pin	
49	359414X1	2	Washer	
50	355646X1	2	Nut Unf	
51	786490M1	2	Guide	
52	358672X1	2	Screw	

HOUSING-TABLE ELEVATOR - NORMAL

Item	Part Number	Qty	Description	Comments
53	353519X1	3	Screw Unf	Up to Serial or Engine Number 2608
53	353561X1	3	Screw Unf	From Serial or Engine Number 2608
54	904468M1	3	Washer	From Serial or Engine Number 2608
59	1440477X1	1	Circlip	
60	22691X	2	Flange	
61	831087M1	1	Bearing	
62	353446X1	3	Lock Washer	
63	353516X1	3	Screw Unf	
64	354946X1	1	Ring	
65	786041M91	1	Sprocket	
66	788667M3	1	Shaft	
67	2020X	1	Key	
68	786118M92	1	Bracket	
69	541388M2	2	Flange	
70	831822M1	1	Bearing	
71	353434X1	3	Lock Washer	
72	353431X1	3	Nut Unf	
73	786098M1	1	Plate	
74	786097M1	1	Strip	
75	353434X1	2	Lock Washer	
76	353537X1	2	Screw Unf	
81	260400M93	1	Coupling	
82	1615834M1	1	Pin	
83	354061X1	1	Pin	
84	400060M2	1	Pin	
85	786096M91	1	Chain	
86	786061M2	1	Tightener	
87	796720M1	1	Tightener	
88	354505X1	4	Bolt Unf	
89	796717M1	4	Sleeve	
90	355619X1	8	Washer	
91	353431X1	4	Nut Unf	
92	788954M1	1	Plate	
93	787583M2	1	Guard	
94	353536X1	4	Screw Unf	
95	353434X1	4	Lock Washer	
96	353431X1	4	Nut Unf	

(B)  
NO LONGER SERVICED USE KIT 1615967M91 WITH 1615357 M93

(C)  
NO LONGER SERVICED USE KIT 1615969M91 WITH 1615357 M94

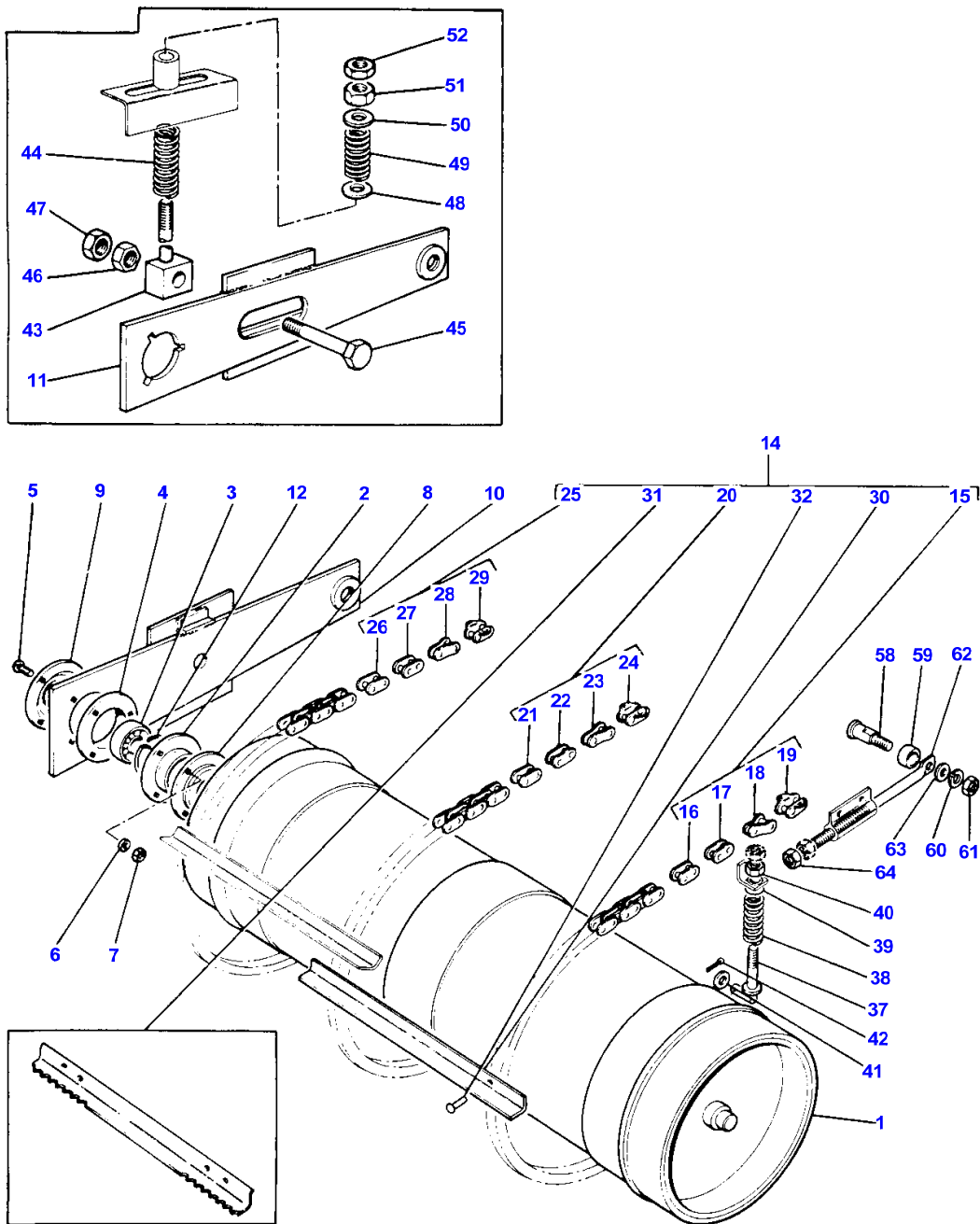
(D)  
NO LONGER SERVICED USE KIT 1615971M91 WITH 1615357 M95

348

TABLE ELEVATOR TO CYLINDER  
 ELEVATEUR A BATTEUR  
 EINZUGSELEVATOR  
 ELEVATORE TAVOLA AL CILINDRO  
 CANAL DE ENTRADA

23003001

3-2300-001-A



PRINTED IN U.K.

520 525

819611-H (1)

TABLE ELEVATOR TO CYLINDER - UP TO SERIAL NO 6320

Item	Part Number	Qty	Description	Comments
				UP TO SERIAL NO 6320
1	1615067M91	1	Drum	
2	22286X	2	Flange	
3	831112M1	2	Bearing	
4	22286X	2	Flange	
5	353794X1	6	Bolt Unf	
6	353446X1	6	Lock Washer	
7	353916X1	6	Nut Unf	
8	784615M1	2	Cover	
9	784704M1	2	Cover	
10	784265M91	2	Arm	
11	1855261M91	2	Arm	(A)
12	850643M1	2	Ring	
14	796924M91	1	Chain	(J)
	617907M91	1	Chain	(J)
				Up to Serial or Engine Number 2017
14	1615591M91	1	Chain	(A,C,P)
				From Serial or Engine Number 2017
14	1616542M91	1	Chain	(A,C)
				From Serial or Engine Number 4978
14	1615024M91	1	Chain	(K)
				Up to Serial or Engine Number 2017
14	1615753M91	1	Chain	(D,Q)
				From Serial or Engine Number 2017
				Up to Serial or Engine Number 4978
14	1616548M91	1	Chain	(D)
				From Serial or Engine Number 4978
14	1615017M91	1	Chain	(D,R)
				Up to Serial or Engine Number 4978
14	1616551M91	1	Extension	(D)
				From Serial or Engine Number 4978
15	1615593M91	1	Chain	(14)
				(G,L)
				Right Hand
15	1615756M91	1	Chain	(14)
				(H,M)
				Right Hand
15	1615020M91	1	Chain	(14)
				(F,N)
				Right Hand
16	329949M91	34	Link	(15)
	329949M91	5	Link	(15)
				(F,N)
17	329951M91	X	Link	(15)
18	329952M91	2	Link	(15)
				(G,L)
18	329952M91	1	Link	(15)
				(F,H,M,N)
19	329988M91	17	Link	(15)
	329988M91	3	Link	(15)
				(F,N)
20	1615594M91	1	Chain	(14)
				(G,L)
20	1615757M91	1	Chain	(14)
				(H,M)
20	1615019M91	1	Chain	(14)
				(F,N)
21	329949M91	34	Link	(20)
	329949M91	5	Link	(20)
				(F,N)
22	329951M91	X	Link	(20)
23	329952M91	2	Link	(20)
				(G,L)
23	329952M91	1	Link	(F,H,M,N)
24	329988M91	34	Link	(20)
	329988M91	5	Link	(20)
				(F,N)
25	1615595M91	1	Chain	(14)
				(G,L)

TABLE ELEVATOR TO CYLINDER - UP TO SERIAL NO 6320

Item	Part Number	Qty	Description	Comments
25	1615758M91	1	Chain	Left Hand (14) (H,M)
25	1615018M91	1	Chain	Left Hand (14) (F,N)
26	329949M91	34	Link	Left Hand (25)
26	329949M91	5	Link	(25) (F,N)
27	329951M91	X	Link	(25)
28	329952M91	2	Link	(25) (G,L)
28	329952M91	1	Link	(25) (F,H,M,N)
29	329988M91	17	Link	(25)
29	329988M91	2	Link	(25) (F,N)
31	1616536M1	34	Slat	(L,M)
31	1616536M1	5	Slat	(F,N)
32	10591X	136	Rivet	(L,M)
32	10591X	20	Rivet	(F,N)
37	792435M91	2	Support	(A)
38	224131M1	2	Spring	(B)
39	831127M1	2	Washer	(B)
40	375112X1	4	Nut Unc	(B)
41	353760X1	2	Flat Washers	(B)
42	354076X1	2	Pin	(B)
43	1855263M1	2	Pin	(A)
44	784702M1	2	Spring	(A)
45	354912X1	2	Bolt Unf	(A)
46	353920X1	2	Nut Unf	(A)
47	353921X1	2	Nut Unf	(A)
48	353762X1	4	Washer	(A)
49	784701M1	2	Spring	(A)
50	353762X1	2	Washer	(A)
51	375100X1	2	Nut Unc	(A)
52	375113X1	2	Nut Unc	(A)
58	786094M1	2	Stud	
59	784268M1	2	Spacer	
60	353433X1	2	Lock Washer	
61	353427X1	2	Nut Unf	
62	786095M1	2	Tightener	
63	353760X1	2	Flat Washers	
64	375112X1	2	Nut Unc	

(A)  
HEAVY DUTY ELEVATOR

(B)  
NOT REQUIRED WHEN HEAVY DUTY ELEVATOR IS FITTED

(C)  
MAIZE GRAIN AND RICE COMBINES WITH WHEELS

(D)  
RICE COMBINES WITH TRACKS

(F)  
FOR USE WITH 1615017M91

(G)  
FOR USE WITH 1615591M91

(H)  
FOR USE WITH 1615753M91

(J)  
NO LONGER SERVICED ORDER 1615591M91 WITH 3 OFF 329 952M91



**MASSEY FERGUSON**  
**MF 520/525 COMBINES - 819611**

**819611**

**348**

**TABLE ELEVATOR TO CYLINDER - UP TO SERIAL NO 6320**

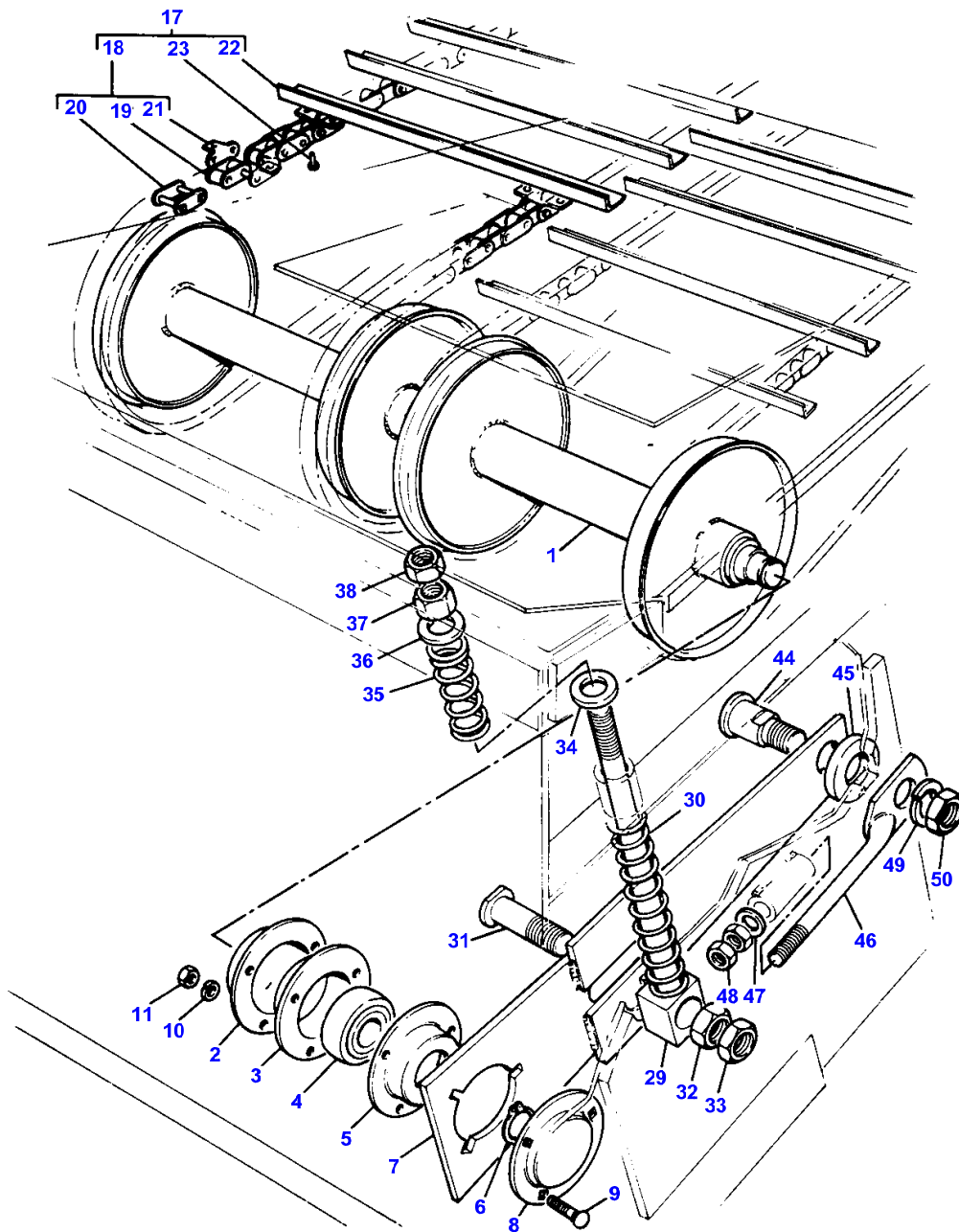
<b>Item</b>	<b>Part Number</b>	<b>Qty</b>	<b>Description</b>	<b>Comments</b>
				(K) NO LONGER SERVICED ORDER 1615753M91 WITH 3 OFF 329 952M91
				(L) FOR USE WITH 1616542M91
				(M) FOR USE WITH 1616548M91
				(N) FOR USE WITH 1616551M91
				(P) NO LONGER SERVICED ORDER 1616542M91
				(Q) NO LONGER SERVICED ORDER 1616548M91
				(R) NO LONGER SERVICED ORDER 1616551M91

356

TABLE ELEVATOR TO CYLINDER  
 ELEVATEUR A BATTEUR  
 EINZUGSELEVATOR  
 ELEVATORE TAVOLA AL CILINDRO  
 CANAL DE ENTRADA

23003005

3-2300-005-A



PRINTED IN U.K.

520 525

819611-H (1)

TABLE ELEVATOR TO CYLINDER - FROM SERIAL NO 6320

Item	Part Number	Qty	Description	Comments
				FROM SERIAL NO 6320
1	1616410M91	1	Drum	(F) Up to Serial or Engine Number 6797
1	3049501M91	1	Drum	
2	1616675M1	2	Cover	
3	22286X	2	Flange	
4	831112M1	2	Bearing	
5	22286X	2	Flange	
6	850643M1	2	Ring	
7	1855261M91	2	Arm	(G)
	3049505M91	1	Arm	Right Hand 16797
	3049506M91	1	Arm	Left Hand 16797
8	784704M1	2	Cover	
9	353794X1	6	Bolt Unf	
10	353446X1	6	Lock Washer	
11	353916X1	6	Nut Unf	
17	1616427M91	2	Chain	(A,L) Up to Serial or Engine Number 6797
17	1616688M91	2	Chain	(B,K) Up to Serial or Engine Number 6797
17	1616683M91	2	Extension	(B) Up to Serial or Engine Number 6797
17	3049576M91	2	Extension	(B)
	3049572M91	2	Chain	From Serial or Engine Number 6797 (A,B)
18	1616678M91	2	Chain	(17) (C)
18	1616679M91	2	Chain	(17) (D)
18	1616680M91	2	Chain	(17) (E)
18	3049579M91	2	Chain	(17) From Serial or Engine Number 6797 (H)
19	329949M91	35	Link	(18) (C)
19	329949M91	34	Link	(18) (D,H)
19	329949M91	5	Link	(18) (J)
19	329949M91	6	Link	(18) (E)
20	329951M91	1	Link	(18) (C,J)
20	329952M91	2	Link	(18) (H)
21	329953M91	17	Link	(18) (C,D,H)
21	329953M91	3	Link	(18) (E)
21	329953M91	2	Link	(18) (J)
22	1616429M1	17	Slat	(17) (C,D,H)
22	1616429M1	3	Slat	(17) (E)
22	1616429M1	2	Slat	(17) (J)
23	10591X	68	Rivet	(17) (C,D,H)
23	10591X	12	Rivet	(17) (E)
23	10591X	8	Rivet	(17) (J)
29	1855263M1	2	Pin	
30	784702M1	2	Spring	
31	338839X1	2	Bolt	
32	353920X1	2	Nut Unf	
33	353921X1	2	Nut Unf	
34	353762X1	2	Washer	
35	784701M1	2	Spring	

TABLE ELEVATOR TO CYLINDER - FROM SERIAL NO 6320

Item	Part Number	Qty	Description	Comments
36	353762X1	2	Washer	
37	375100X1	2	Nut Unc	
38	375113X1	2	Nut Unc	
44	786094M1	2	Stud	
45	784268M1	2	Spacer	
46	786095M1	2	Tightener	
47	353760X1	2	Flat Washers	
48	375112X1	4	Nut Unc	
49	353433X1	2	Lock Washer	
50	353427X1	2	Nut Unf	

(A)  
MAIZE GRAIN AND RICE COMBINES WITH WHEELS

(B)  
RICE COMBINES WITH TRACKS

(C)  
FOR USE WITH 1616427M91

(D)  
USE ONLY WITH 1616688M91

(E)  
USE ONLY WITH 1616683M91

(F)  
NO LONGER SERVICED ORDER 3049 501 M91-3049 505 M91 AND 3049 506 M91

(G)  
FOR USE WITH 1616 410 M91

(H)  
USE WITH 3049 572 M91

(J)  
USE WITH 3049 579 M91

(K)  
NO LONGER SERVICED USE 3049 572 M91

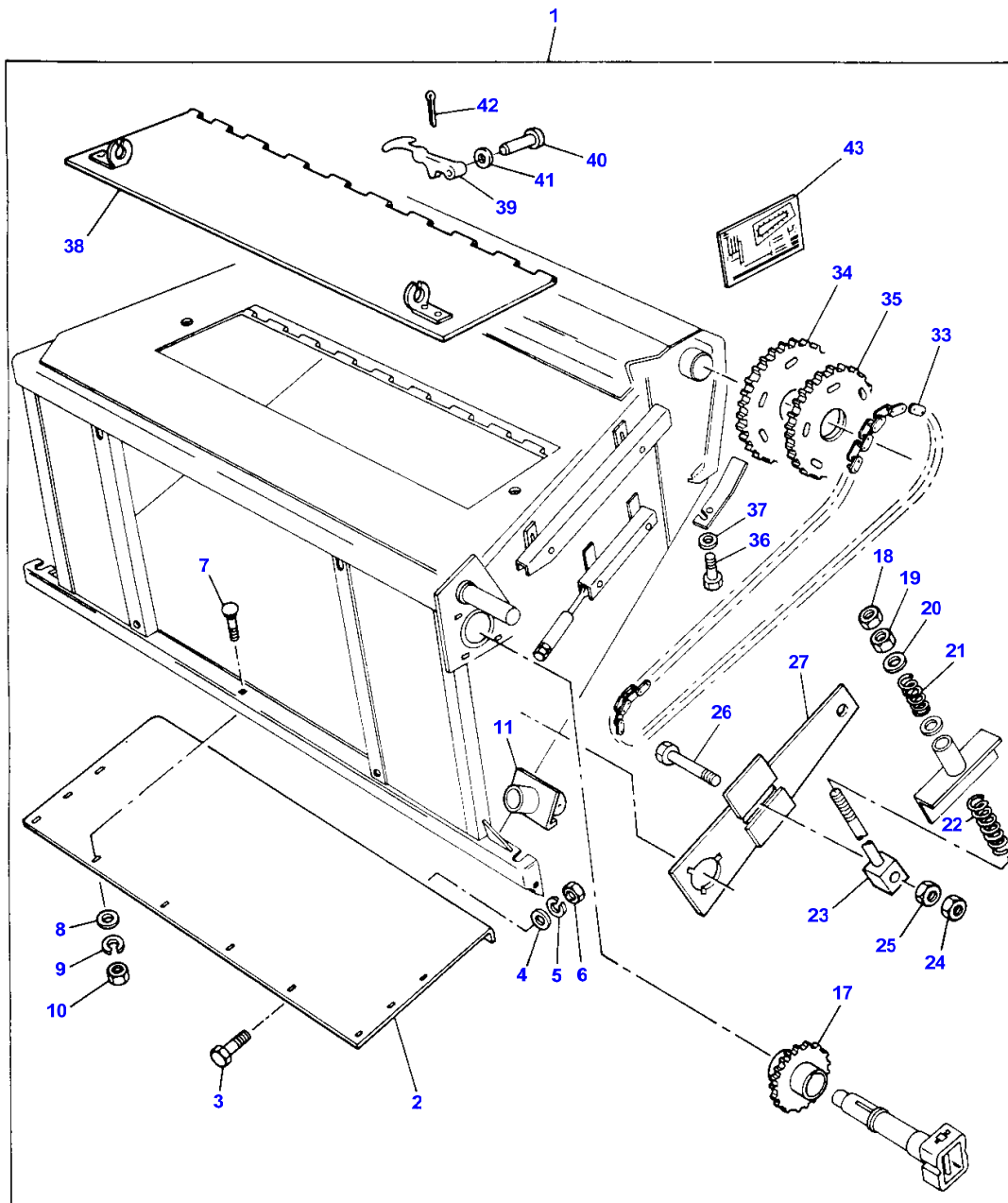
(L)  
NO LONGER SERVICED USE 3049 572 M91 AND 329 952 M9 1 -2OFF

362

TABLE ELEVATOR TO CYLINDER  
 ELEVATEUR A BATTEUR  
 EINZUGSELEVATOR  
 ELEVATORE TAVOLA AL CILINDRO  
 CANAL DE ENTRADA

23003003

3-2300-003-A



PRINTED IN U.K.

520 525

819611-H (1)

TABLE ELEVATOR TO CYLINDER - CONVERSION KIT-NORMAL TO HEAVY DUTY

Item	Part Number	Qty	Description	Comments
CONVERSION KIT-NORMAL TO HEAVY DUTY				
1	1615967M91	1	Kit, Repair	(A)
	1615969M91	1	Kit, Repair	(B)
	1615971M91	1	Kit, Repair	(C)
2	1855265M2	1	Panel	(1)
3	353504X1	13	Screw Unf	(1)
4	353754X1	13	Washer	(1)
5	353441X1	13	Lock Washer	(1)
6	353918X1	13	Nut Unf	(1)
7	353784X1	7	Bolt Unf	(1)
8	353754X1	7	Washer	(1)
9	353441X1	7	Lock Washer	(1)
10	353918X1	7	Nut Unf	(1)
11	783459M91	2	Tube	(1)
17	913601M91	1	Pinion	(1)
18	375113X1	2	Nut Unc	(1)
19	375100X1	2	Nut Unc	(1)
20	353762X1	4	Washer	(1)
21	784701M1	2	Spring	(1)
22	784702M1	2	Spring	(1)
23	1855263M1	2	Pin	(1)
24	353921X1	2	Nut Unf	(1)
25	353920X1	2	Nut Unf	(1)
26	338839X1	2	Bolt	(1)
27	1855261M91	2	Arm	(1)
33	619855M91	1	Chain	(1)
34	226589M1	1	Sprocket	(1)
35	784685M1	1	Sprocket	(1)
36	353561X1	6	Screw Unf	(1)
				(D,E)
37	904468M1	6	Washer	(1)
				(D,E)
38	1615624M91	1	Door	(1)
				(E)
39	403657M1	2	Fastener	(1)
				(E)
40	403660M1	2	Pin	(1)
				(E)
41	390146X1	2	Washer Metric	(1)
				(E)
42	390147X1	2	Pin	(1)
				(E)
43	1855297M2	1	Decal	(1)

(A)  
USE WITH 1615357M93 TO SERVICE 789106M94 AND 16153 60M92

(B)  
USE WITH 1615357M94 TO SERVICE 1615360M93

(C)  
USE WITH 1615357M95 TO SERVICE 1615360M94

(D)  
FOR USE WITH 1615969M91 KIT ONLY

(E)  
FOR USE WITH 1615971M91 KIT ONLY

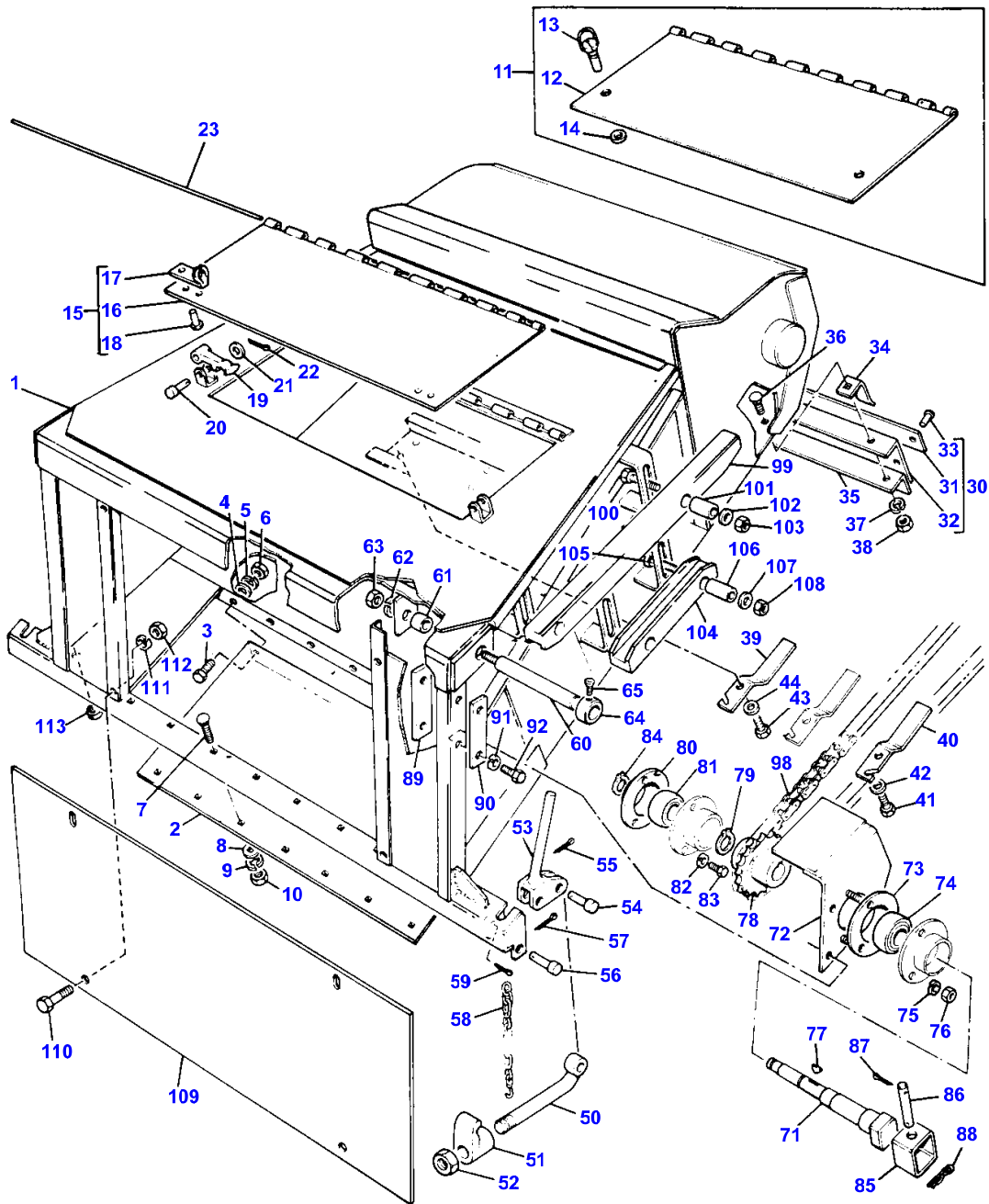
366

HOUSING  
CAISSON  
GEHAEUSE - EINZUGSELEVATOR  
CARCASSA  
CARCASA

HEAVY DUTY  
RENFORCE  
VERSTAERKT  
TIPO PESANTE  
SERVICIO PESADO

23453001

3-2345-001-A



PRINTED IN U.K.

520 525

819611-H (1)

HOUSING-HEAVY DUTY - UP TO SERIAL NUMBER 6320

Item	Part Number	Qty	Description	Comments
				UP TO SERIAL NUMBER 6320
1	784646M95	1	Elevator	Up to Serial or Engine Number 2017
	1615357M93	1	Table Elevator	(A)
				From Serial or Engine Number 2017
1	1615357M94	1	Table Elevator	Up to Serial or Engine Number 2608 From Serial or Engine Number 2608
				Up to Serial or Engine Number 2973 From Serial or Engine Number 2973
1	1615357M97	1	Elevator	
2	1855265M2	1	Panel	
3	353504X1	11	Screw Unf	
4	353754X1	11	Washer	
5	353441X1	11	Lock Washer	
6	353918X1	11	Nut Unf	
7	353784X1	7	Bolt Unf	
8	353754X1	7	Washer	
9	353441X1	7	Lock Washer	
10	353918X1	7	Nut Unf	
11	783594M91	1	Door	Up to Serial or Engine Number 2973
12		1	Door	(11) Not serviced, order 783594M91
13	783593M1	2	Stud	(11)
14	786051M2	2	Cup	(11)
15	1615624M91	1	Door	From Serial or Engine Number 2973
16		1	Door	(15) Not serviced, order 1615624M91
17	403659M1	2	Angle	(15)
18	29017X	4	Rivet	(15)
19	403657M1	2	Fastener	From Serial or Engine Number 2973
20	403660M1	2	Pin	From Serial or Engine Number 2973
21	390146X1	2	Washer Metric	From Serial or Engine Number 2973
22	390147X1	2	Pin	From Serial or Engine Number 2973
23	786751M1	1	Rod	
30	784969M92	1	Rubber Strap	
31		1	Strip	(30) Not serviced, order 784969M92
32		1	Strip	(30) Not serviced, order 784969M92
33	377053X1	8	Rivet	(30)
34	784975M1	9	Spring	
35	784978M2	1	Anglepiece	
36	353827X1	9	Bolt Unf	
37	353432X1	9	Lock Washer	
38	353426X1	9	Nut Unf	
39	1855511M3	2	Strap	Left Hand Up to Serial or Engine Number 2608
39	1616285M1	2	Strap	Left Hand From Serial or Engine Number 2608
40	1855512M3	1	Strap	Right Hand Up to Serial or Engine Number 2608
40	1616286M1	1	Strap	Right Hand From Serial or Engine Number 2608
41	353520X1	3	Bolt Unf	Up to Serial or Engine Number 2608
	353561X1	3	Screw Unf	From Serial or Engine Number 2608
42	361228X1	3	Washer	Up to Serial or Engine Number 2608
	904468M1	3	Washer	From Serial or Engine Number 2608
43	353519X1	3	Screw Unf	Up to Serial or Engine Number 2608
	353561X1	3	Screw Unf	From Serial or Engine Number 2608
44	904468M1	3	Washer	From Serial or Engine Number 2608
50	786108M1	2	Bolt	
51	786114M1	2	Knotter Hook	
52	376811X1	2	Nut Unc	
53	786113M1	2	Lever	
54	195350M1	2	Clevis Pin	
55	354076X1	2	Pin	
56	195352M1	2	Pin	
57	354076X1	2	Pin	



**MASSEY FERGUSON****MF 520/525 COMBINES - 819611**

819611

**HOUSING-HEAVY DUTY - UP TO SERIAL NUMBER 6320**

366

Item	Part Number	Qty	Description	Comments
58	787723M1	2	Chain	
59	354074X1	2	Pin	
60	787903M1	2	Pin	
61	377176X1	2	Spacer	
62	359414X1	2	Washer	
63	355646X1	2	Nut Unf	
64	786490M1	2	Guide	
65	358672X1	2	Screw	
71	788667M3	1	Shaft	
72	786118M92	1	Bracket	
73	541388M2	2	Flange	
74	831822M1	1	Bearing	
75	353434X1	3	Lock Washer	
76	353431X1	3	Nut Unf	
77	2020X	1	Key	
78	913601M91	1	Pinion	
79	354946X1	1	Ring	
80	22691X	2	Flange	
81	831087M1	1	Bearing	
82	353446X1	3	Lock Washer	
83	353516X1	3	Screw Unf	
84	1440477X1	1	Circlip	
85	260400M93	1	Coupling	
86	1615834M1	1	Pin	
87	354061X1	1	Pin	
88	400060M2	1	Pin	
89	786098M1	1	Plate	
90	786097M1	1	Strip	
91	353434X1	2	Lock Washer	
92	353537X1	2	Screw Unf	
98	619855M91	1	Chain	
98	617931M91	1	Chain	
99	786061M2	1	Tightener	
100	354505X1	2	Bolt Unf	
101	796717M1	2	Sleeve	
102	355619X1	4	Washer	
103	353431X1	2	Nut Unf	
104	796720M1	1	Tightener	
105	354505X1	2	Bolt Unf	
106	796717M1	2	Sleeve	
107	355619X1	4	Washer	
108	353431X1	2	Nut Unf	
109	787583M2	1	Guard	
110	353536X1	4	Screw Unf	
111	353434X1	4	Lock Washer	
112	353431X1	4	Nut Unf	
113	377399X1	1	Grommet	

(A)

NO LONGER SERVICED USE 1615357M94 WITH 1616285M1 1 616286M1  
353561X1 903468M1 353561X1 AND 908468M1

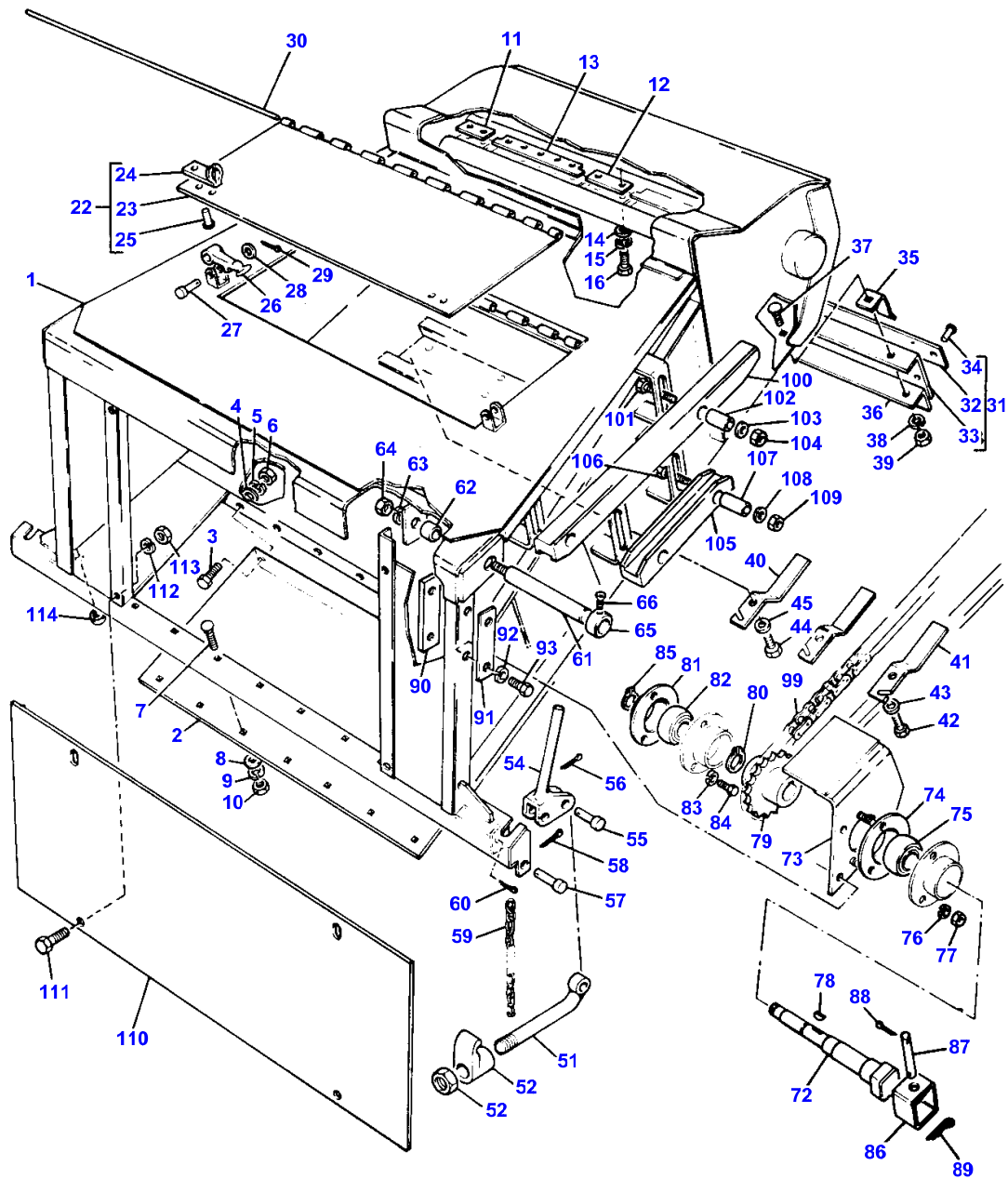
372

HOUSING  
CAISSON  
GEHAEUSE - EINZUGSELEVATOR  
CARCASSA  
CARCASA

HEAVY DUTY  
RENFORCE  
VERSTAERKT  
TIPO PESANTE  
SERVICIO PESADO

23453002

3-2345-002-A



PRINTED IN U.K.

520 525

819611-H (1)

**MASSEY FERGUSON**

**MF 520/525 COMBINES - 819611**

819611

**HOUSING-HEAVY DUTY - FROM SERIAL NUMBER 6320**

372

Item	Part Number	Qty	Description	Comments
				FROM SERIAL NUMBER 6320
1	1616656M94	1	Elevator	
2	1855265M2	1	Panel	
3	353504X1	11	Screw Unf	
4	353754X1	11	Washer	
5	353441X1	11	Lock Washer	
6	353918X1	11	Nut Unf	
7	353784X1	7	Bolt Unf	
8	353754X1	7	Washer	
9	353441X1	7	Lock Washer	
10	353918X1	7	Nut Unf	
11	1616665M2	2	Scraper	
12	1616664M2	1	Scraper	
13	1616667M2	2	Scraper	
14	338901X1	14	Washer	
15	353434X1	14	Lock Washer	
16	366660X1	14	Screw Unc	
22	1615624M91	1	Door	
23		1	Door	(22) Not serviced, order 1615624M91
24	403659M1	2	Angle	(22)
25	29017X	4	Rivet	(22)
26	403657M1	2	Fastener	
27	403660M1	2	Pin	
28	390146X1	2	Washer Metric	
29	390147X1	2	Pin	
30	786751M1	1	Rod	
31	784969M92	1	Rubber Strap	
32		1	Strip	(31) Not serviced, order 784969M92
33		1	Strip	(31) Not serviced, order 784969M92
34	377053X1	8	Rivet	(31)
35	784975M1	9	Spring	
36	784978M2	1	Anglepiece	
37	353827X1	9	Bolt Unf	
38	353432X1	9	Lock Washer	
39	353426X1	9	Nut Unf	
40	1616285M1	2	Strap	
41	1616286M1	1	Strap	
42	353561X1	3	Screw Unf	
43	904468M1	3	Washer	
44	353561X1	3	Screw Unf	
45	904468M1	3	Washer	
51	786108M1	2	Bolt	
52	786114M1	2	Knotter Hook	
53	376311X1	2	Screw	
54	786113M1	2	Lever	
55	195350M1	2	Clevis Pin	
56	354076X1	2	Pin	
57	195352M1	2	Pin	
58	354076X1	2	Pin	
59	787723M1	2	Chain	
60	354074X1	2	Pin	
61	787903M1	2	Pin	
62	377176X1	2	Spacer	
63	359414X1	2	Washer	
64	355646X1	2	Nut Unf	
65	786490M1	2	Guide	
66	358672X1	2	Screw	
72	788667M3	1	Shaft	
73	786118M92	1	Bracket	
74	541388M2	2	Flange	
75	831822M1	1	Bearing	
76	353434X1	3	Lock Washer	
77	353431X1	3	Nut Unf	
78	2020X	1	Key	
79	913601M91	1	Pinion	
80	354946X1	1	Ring	

**MASSEY FERGUSON****MF 520/525 COMBINES - 819611**

819611

372

**HOUSING-HEAVY DUTY - FROM SERIAL NUMBER 6320**

Item	Part Number	Qty	Description	Comments
81	22691X	2	Flange	
82	831087M1	1	Bearing	
83	353446X1	3	Lock Washer	
84	353516X1	3	Screw Unf	
85	1440477X1	1	Circlip	
86	260400M93	1	Coupling	
87	1615834M1	1	Pin	
88	354061X1	1	Pin	
89	400060M2	1	Pin	
90	786098M1	1	Plate	
91	786097M1	1	Strip	
92	353434X1	2	Lock Washer	
93	353537X1	2	Screw Unf	
98	619855M91	1	Chain	(A)
99	617931M91	1	Chain	(A,B)
100	786061M2	1	Tightener	
101	354505X1	2	Bolt Unf	
102	796717M1	2	Sleeve	
103	355619X1	4	Washer	
104	353431X1	2	Nut Unf	
105	796720M1	1	Tightener	
106	354505X1	2	Bolt Unf	
107	796717M1	2	Sleeve	
108	355619X1	4	Washer	
109	353431X1	2	Nut Unf	
110	787583M1	1	Guard	
111	353536X1	4	Screw Unf	
112	353434X1	4	Lock Washer	
113	353431X1	4	Nut Unf	
114	377399X1	1	Grommet	

(A)

FOR SERVICE BREAKDOWN REFER CHAINS SECTION

(B)

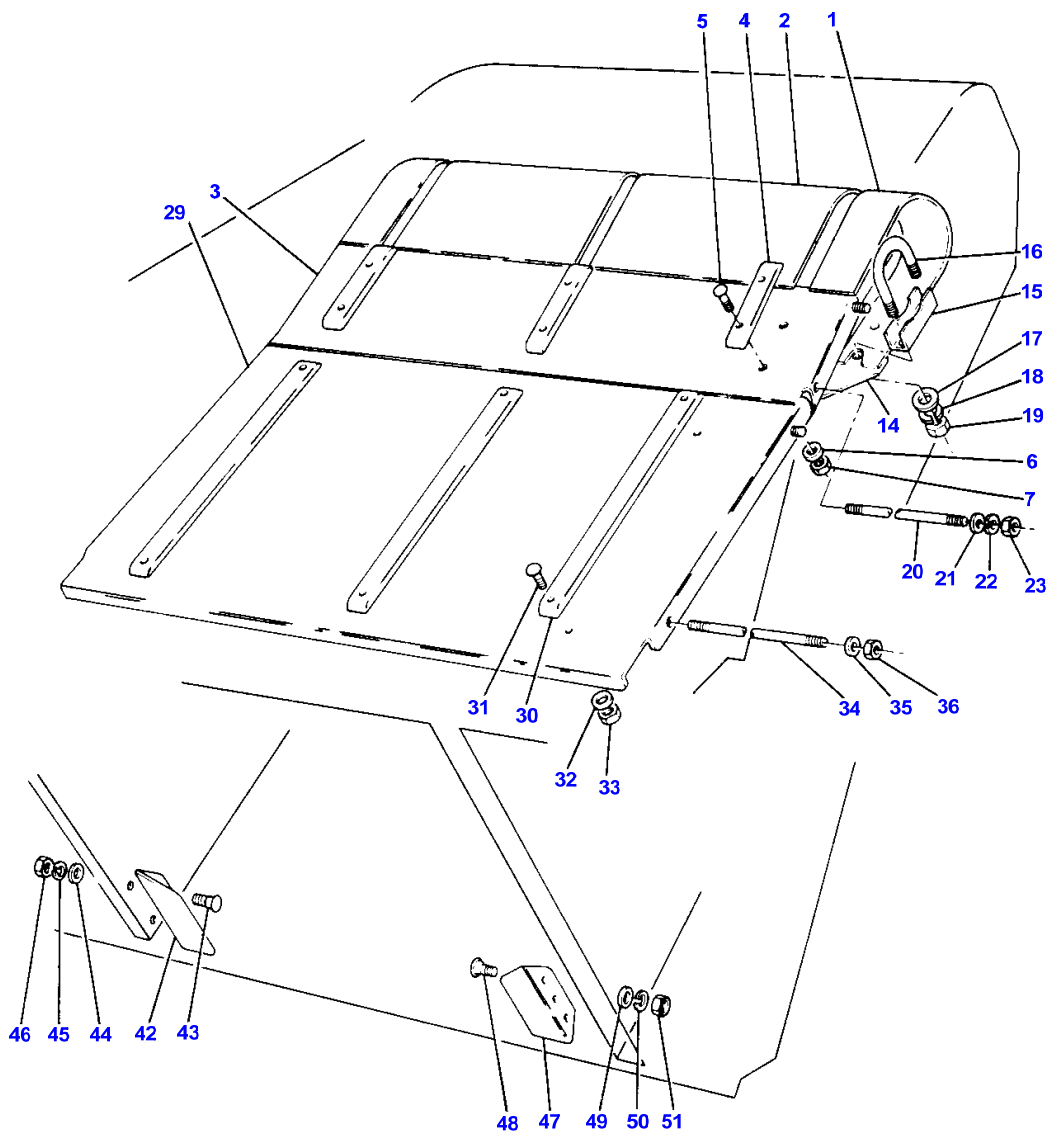
RICE COMBINES WITH TRACKS

378

ANTI-WIND  
 ANTI-ROULEMENT  
 WICKELSCHUTZ  
 ROCCHETTIERA  
 PARABRISAS

23353001

3-2335-001-A



PRINTED IN U.K.

520 525

819611-H (1)

ANTIWIND

Item	Part Number	Qty	Description	Comments
1	785526M1	2	Shield	
2	785525M1	2	Shield	
3	785530M91	1	Partition	
4	240665M1	3	Strip	
5	353791X1	6	Bolt Unf	
6	353446X1	6	Lock Washer	
7	353916X1	6	Nut Unf	
14	785527M91	1	Partition	
15	243072M1	6	Bracket	
16	377356X1	6	U Bolt	
17	353756X1	6	Washer	
18	353434X1	12	Lock Washer	
19	353431X1	12	Nut Unf	
20	786642M1	2	Stud	
21	355619X1	4	Washer	
22	353434X1	4	Lock Washer	
23	353431X1	4	Nut Unf	
29	1855288M91	1	Partition	(A)
	1855235M91	1	Partition	(A,B)
30	785535M1	3	Strip	(A)
31	353791X1	6	Bolt Unf	(A)
32	353446X1	6	Lock Washer	(A)
33	353916X1	6	Nut Unf	(A)
34	786642M1	X	Stud	(A)
35	353434X1	X	Lock Washer	(A)
36	353431X1	X	Nut Unf	(A)
42	786643M1	1	Cutoff	
	789427M1	1	Cutoff	(B)
43	353793X1	2	Bolt Unf	
44	355618X1	2	Washer	
45	353446X1	2	Lock Washer	
46	353916X1	2	Nut Unf	
47	786644M1	1	Cutoff	
	789428M1	1	Cutoff	(B)
48	353793X1	2	Bolt Unf	
49	355618X1	2	Washer	
50	353446X1	2	Lock Washer	
51	353916X1	2	Nut Unf	

(A)  
FOR USE ON RICE COMBINE ONLY

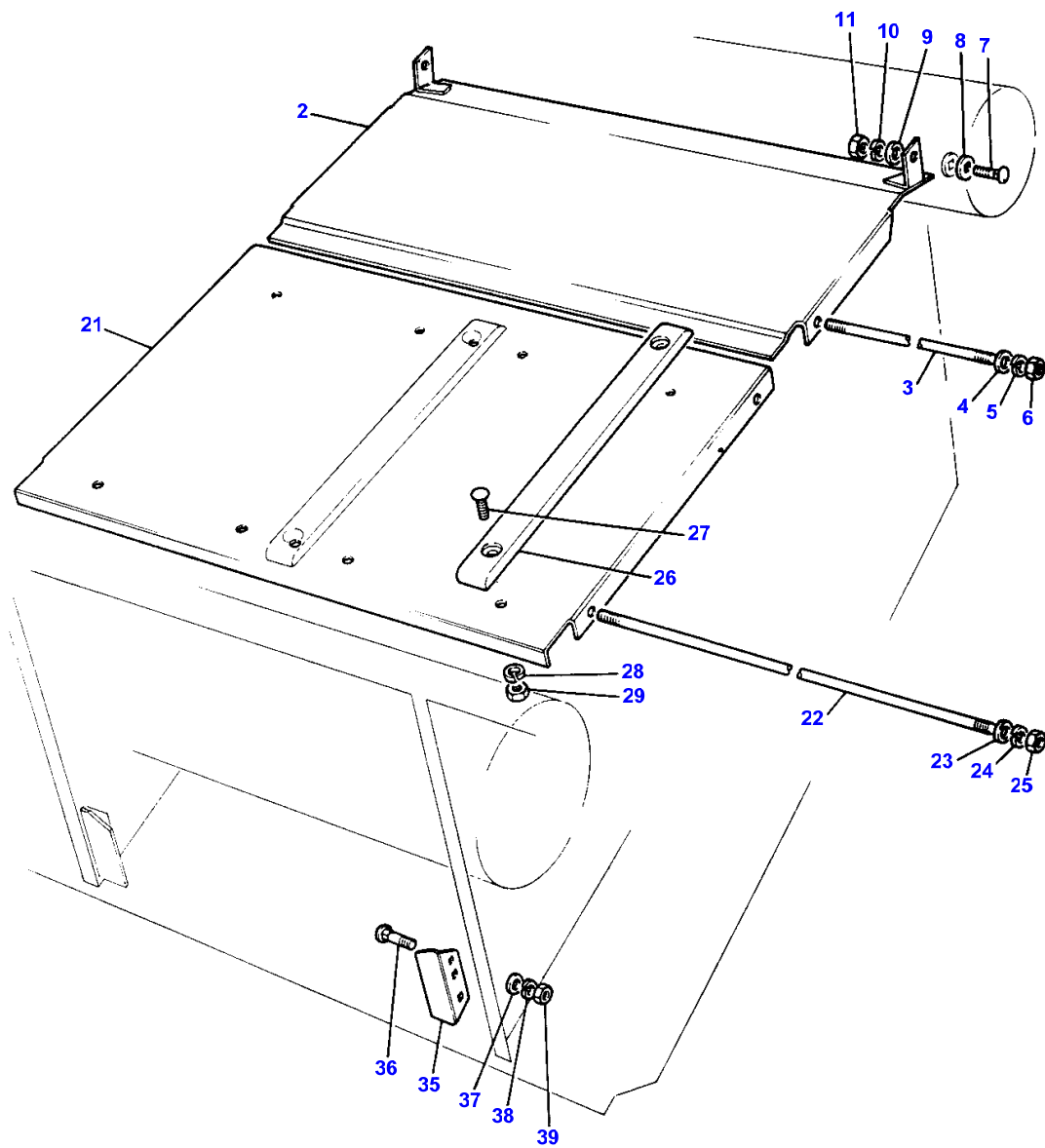
(B)  
REQUIRED WHEN ELEVATOR EXTENSION IS FITTED

380

ANTI-WIND KIT  
 JEU ANTI-ROULEMENT  
 WICKELSCHUTZ  
 PIEZAS ROCCHETTIERA  
 JUEGO ANTIENTROLLANTE

23363001

3-2336-001-A



PRINTED IN U.K.

520 525

819611-H (1)

ANTIWIND KIT - 4 CHAIN ELEVATOR

Item	Part Number	Qty	Description	Comments
				4 CHAIN ELEVATOR
1	1616981M91	1	Kit	
	1616990M91	1	Kit	(A)
2	1616984M92	1	Partition	(1)
3	786642M1	1	Stud	(1)
4	355619X1	2	Washer	(1)
5	353434X1	2	Lock Washer	(1)
6	353431X1	2	Nut Unf	(1)
7	353808X1	2	Bolt Unf	(1)
8	344336X1	4	Washer	(1)
9	355619X1	2	Washer	(1)
10	353434X1	2	Lock Washer	(1)
11	353431X1	2	Nut Unf	(1)
21	1855288M91	1	Partition	(1)
	1855235M91	1	Partition	(1)
				(A)
22	786642M1	2	Stud	(1)
23	355619X1	4	Washer	(1)
24	353434X1	4	Lock Washer	(1)
25	353431X1	4	Nut Unf	(1)
26	785535M1	4	Strip	(1)
27	353791X1	8	Bolt Unf	(1)
28	353446X1	8	Lock Washer	(1)
29	353916X1	8	Nut Unf	(1)
35	786643M1	1	Cutoff	(1)
				Right Hand
35	786644M1	1	Cutoff	(1)
				Left Hand
35	789428M1	1	Cutoff	(1)
				(A)
				Left Hand
35	789427M1	1	Cutoff	(1)
				(A)
				Right Hand
36	353793X1	4	Bolt Unf	(1)
37	355618X1	4	Washer	(1)
38	353446X1	4	Lock Washer	(1)
39	353916X1	4	Nut Unf	(1)
				(A)
				REQUIRED WHEN ELEVATOR EXTENSION IS FITTED

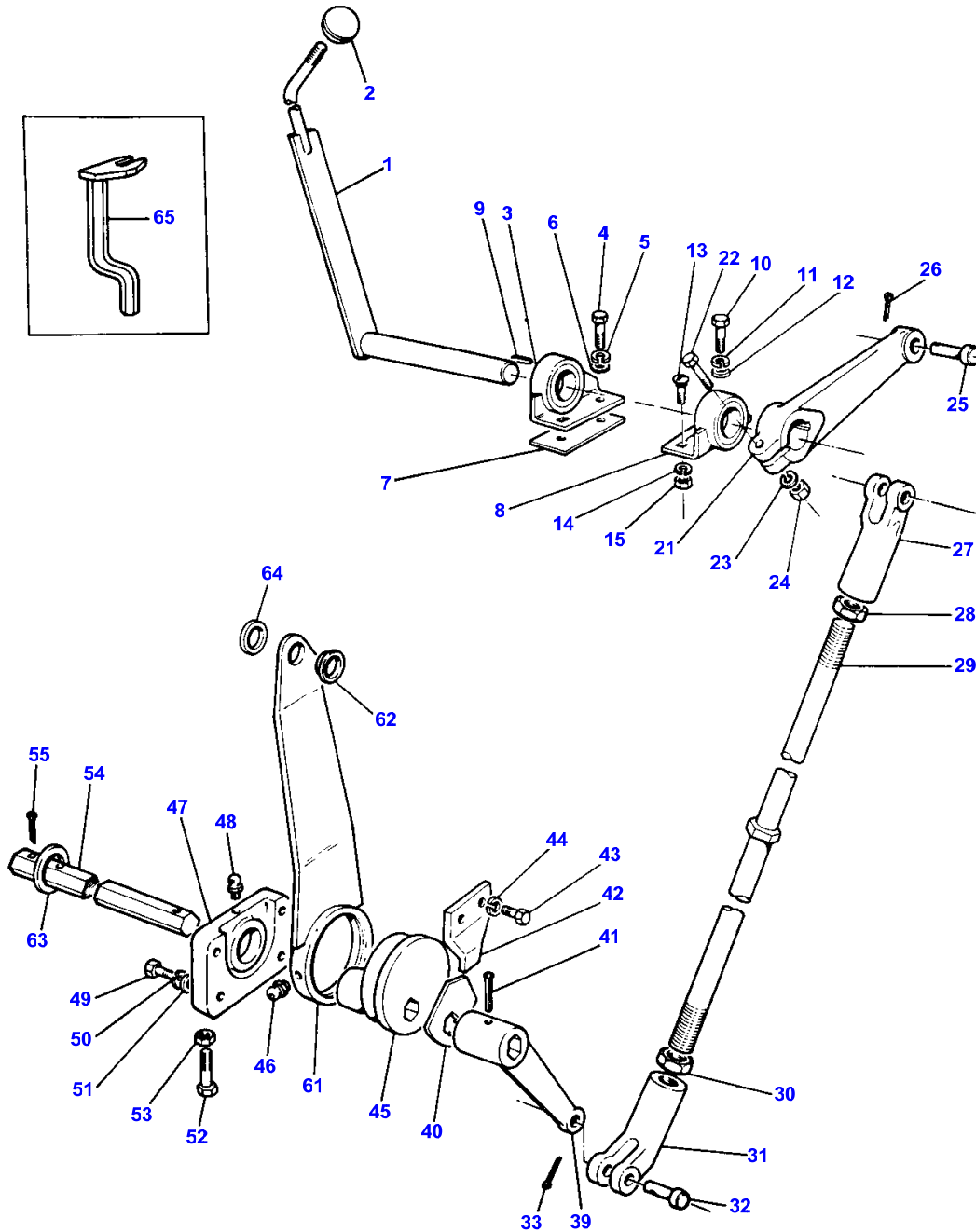


382

CONCAVE CONTROL LINKAGE  
 RELAGE DU CONTRE BATTEUR  
 DRESCHKORBUEPSTELLUNG  
 LEVERISMI COMANDO CONTROBATTITORE  
 VARILLAJE DE CONTROL DE CONCAVO

24883001

3-2466-001-A



PRINTED IN U.K.

520 525

819611-H (1)

CONCAVE CONTROL LINRAGE - FRONT

Item	Part Number	Qty	Description	Comments
				FRONT
1	784052M92	1	Lever	
2	787090M1	1	Knob	
3	794699M92	1	Bearing	
4	353518X1	2	Screw Unf	
5	353446X1	2	Lock Washer	
6	353446X1	4	Lock Washer	
7	619322M1	1	Plate	
8	200191M1	2	Nipple	
9	789852M1	1	Key Door	
10	353519X1	1	Screw Unf	
11	353446X1	1	Lock Washer	
12	353755X1	1	Washer	
13	353794X1	1	Bolt Unf	
14	353446X1	1	Lock Washer	
15	353916X1	1	Nut Unf	
21	794692M1	1	Lever	
22	353568X1	1	Bolt Unf	
23	353432X1	1	Lock Washer	
24	353426X1	1	Nut Unf	
25	831958M1	1	Pin	
26	354048X1	1	Pin	
27	784830M1	1	Clevis	
28	353436X1	1	Nut Unf	
29	784936M91	1	Rod	
30	357131X1	1	Nut	
31	784833M1	1	Clevis	
32	831958M1	1	Pin	
33	354048X1	1	Pin	
39	243988M2	1	Lever	
40	789925M1	1	Indicator	
41	354450X1	1	Pin	
42	911262M1	1	Bracket	Left Hand
	911261M1	1	Bracket	Right Hand
43	353676X1	4	Screw Unc	
48	13533X	2	Grease Nipple	
49	353691X1	8	Screw Unc	
50	353434X1	8	Lock Washer	
51	353756X1	8	Washer	
52	365649X1	2	Bolt	
53	353437X1	4	Nut Unf	
54	243994M1	1	Shaft	
55	354091X1	1	Pin	
61	1855625M93	1	Arm	Left Hand
	789926M93	1	Arm	Right Hand
62	365307X1	2	Bush	
63	L 1397	X	Shim	
64	617617M1	2	Spacer	
65	914870M91	1	Spanner	(C)

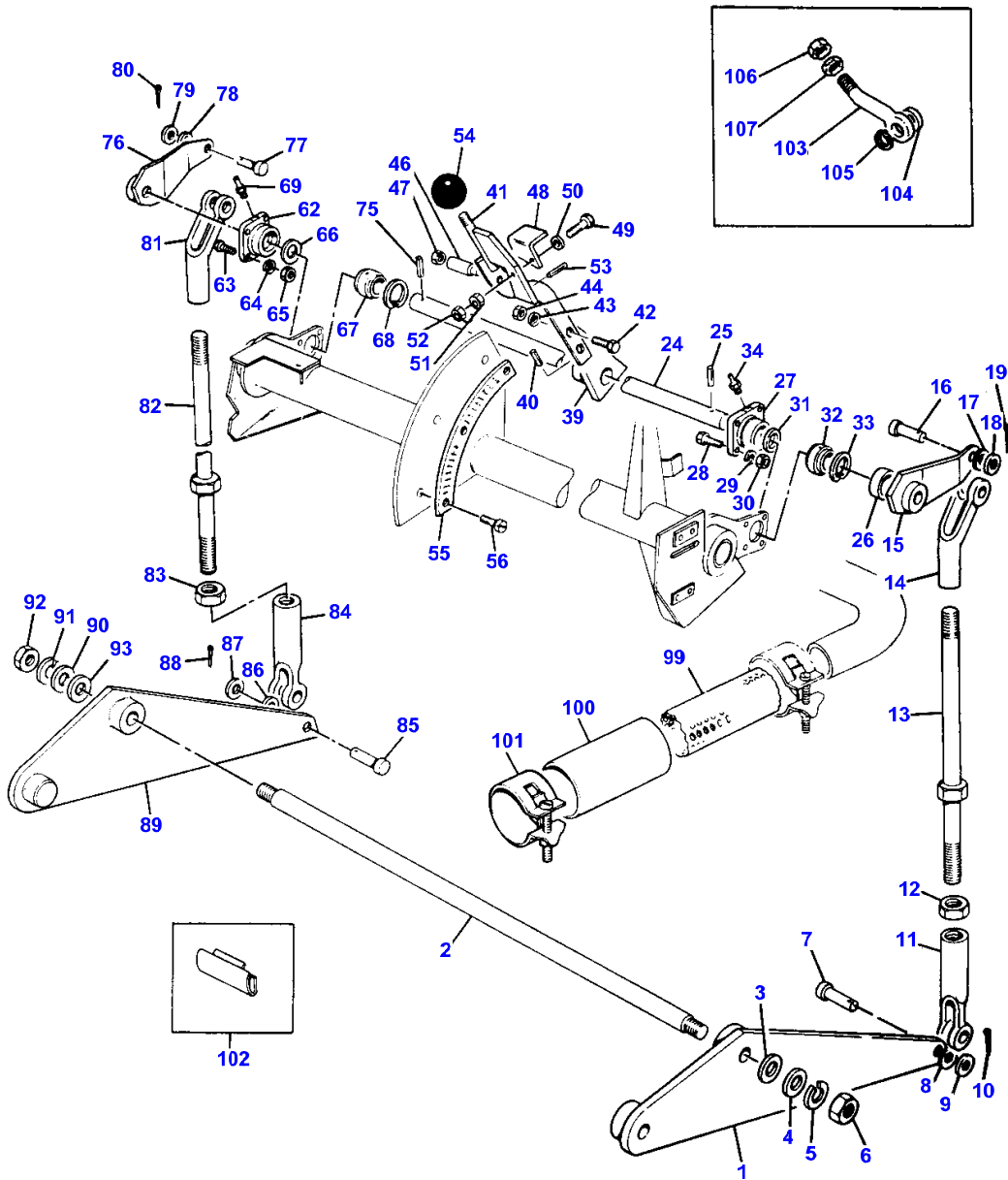
(C)  
NOT FITTED ON THIS APPLICATION

384

CONCAVE CONTROL LINKAGE  
 RELAGE DU CONTRE BATTEUR  
 DRESCHKORBUEPSTELLUNG  
 LEVERISMI COMANDO CONTROBATTITORE  
 VARILLAJE DE CONTROL DE CONCAVO

24663002

3-2466-002-A



PRINTED IN U.K.

520 525

819611-H (1)

## CONCAVE CONTROL LINRAGE

Item	Part Number	Qty	Description	Comments
1	914863M92	1	Brace	Left Hand
2	1615677M1	1	Shaft	
3	914923M1	X	Washer	Thickness 0.060"/1.4MM
4	353760X1	1	Flat Washers	
5	353433X1	1	Lock Washer	
6	353427X1	1	Nut Unf	
7	195408M1	1	Pin	
8	1615863M1	X	Washer	Thickness 0.040"/.96MM
9	353758X1	1	Washer	
10	354066X1	1	Pin	
11	914859M1	1	Clevis	
12	353435X1	1	Nut Unf	
13	914862M92	1	Rod	
14	914905M2	1	Clevis	Left Hand
15	914943M92	1	Lever	Left Hand
16	195408M1	1	Pin	
17	1615863M1	X	Washer	Thickness 0.040"/.96MM
18	353758X1	1	Washer	
19	354066X1	1	Pin	
24	1615672M3	1	Shaft	
25	360222X1	1	Pin	
26	914948M1	1	Spacer	
27	914947M1	1	Bearing	
28	353521X1	4	Bolt Unf	
29	353446X1	4	Lock Washer	
30	353916X1	4	Nut Unf	
31	914952M1	X	Washer	Thickness 0.060"/1.4MM
32	914950M1	1	Bearing	
33	355980X1	1	Ring	
34	13811X	1	Grease Nipple	
39	914831M93	1	Arm	
40	360222X1	1	Pin	
41	1615839M92	1	Lever	
42	1615860M1	2	Bolt	
43	353446X1	2	Lock Washer	
44	353916X1	2	Nut Unf	
45	353755X1	X	Washer	
46	1615854M1	1	Stud	
47	353438X1	1	Nut Unf	
48	1615841M2	1	Angle	
49	353505X1	1	Screw Unf	
50	353754X1	1	Washer	
51	353918X1	1	Nut Unf	
52	353919X1	1	Nut Unf	
53	377112X1	1	Pin	
54	787090M1	1	Knob	
55	914900M1	1	Quadrant	
56	353954X1	3	Screw	
62	914947M1	1	Bearing	
63	353521X1	4	Bolt Unf	
64	353446X1	4	Lock Washer	
65	353916X1	4	Nut Unf	
66	914952M1	X	Washer	Thickness 0.060"/1.4MM
67	914950M1	1	Bearing	
68	355980X1	1	Ring	
69	13811X	1	Grease Nipple	
75	360222X1	1	Pin	
76	914856M93	1	Lever	
77	195408M1	1	Pin	
78	1615863M1	X	Washer	Thickness 0.040"/.96MM
79	353758X1	1	Washer	
80	354066X1	1	Pin	
81	914858M2	1	Clevis	Right Hand
82	914862M92	1	Rod	
83	353435X1	1	Nut Unf	
84	914859M1	1	Clevis	
85	195408M1	1	Pin	
86	1615863M1	X	Washer	Thickness 0.040"/.96MM
87	353758X1	1	Washer	
88	354066X1	1	Pin	

CONCAVE CONTROL LINRAGE

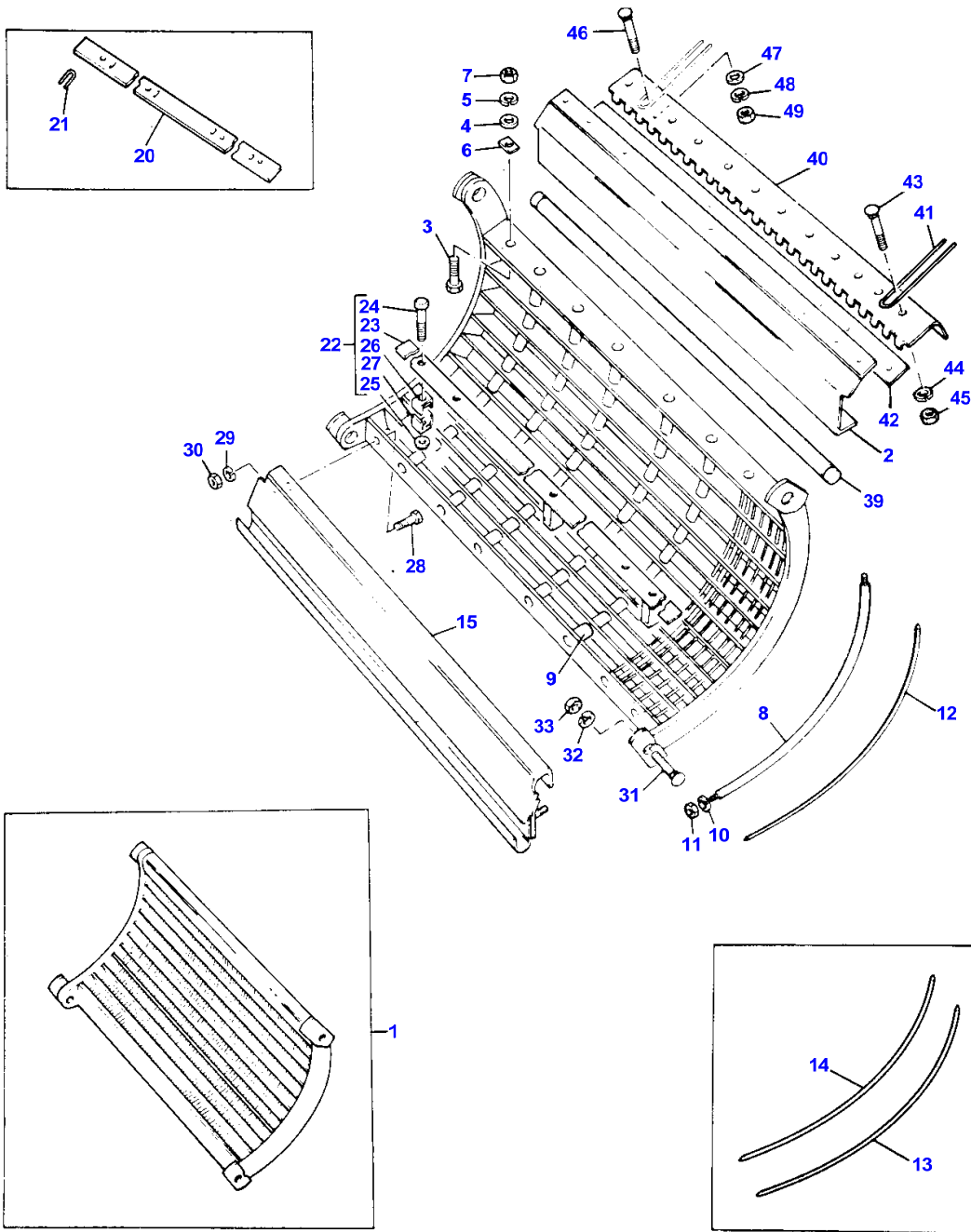
Item	Part Number	Qty	Description	Comments
89	914864M92	1	Brace	Right Hand
90	353760X1	1	Flat Washers	
91	353433X1	1	Lock Washer	
92	353427X1	1	Nut Unf	
93	914923M1	X	Washer	Thickness 0.060"/1.4MM
99	1615866M1	1	Sieve	
100	1615843M1	1	Plate	
101	360743X1	2	Clamp	
102	914903M2	2	Shim	
103	782975M2	2	Bolt	Up to Serial or Engine Number 2017
104	784995M1	2	Spacer	Up to Serial or Engine Number 658
104	1855717M1	2	Spacer	From Serial or Engine Number 658
				Up to Serial or Engine Number 2017
105	22042X	2	Segment	Up to Serial or Engine Number 2017
106	375099X1	2	Nut Unc	Up to Serial or Engine Number 2017
107	375112X1	2	Nut Unc	Up to Serial or Engine Number 2017

388

CONCAVE ARRANGEMENT  
 CONTRE BATTEUR  
 ANBAUTEILE DRESCHKORB  
 DISPOSITIVO CONTROBATTITORE  
 CONJUNTO CONCAVO

24703001

3-2470-001-A



PRINTED IN U.K.

520 525

819611-M (1)

CONCAVE ARRANGEMENT

Item	Part Number	Qty	Description	Comments
1	3044068M91	1	Concave	(A)
	3044071M91	1	Concave	(B)
2	784820M93	1	Plate	(1)
3	353521X1	2	Bolt Unf	(1)
4	353755X1	2	Washer	(1)
5	353446X1	2	Lock Washer	(1)
6	784828M1	8	Spacer	(1)
7	353916X1	2	Nut Unf	(1)
8	783822M1	6	Rod	(1) Thickness 7/16"/11.1MM
9	912573M1	60	Spacer	(1)
10	353432X1	12	Lock Washer	(1)
11	353426X1	12	Nut Unf	(1)
12	783823M1	52	Rod	(1) Thickness 5/16"/8.0MM.
13	783917M2	44	Rod	(1) Thickness 1/4" /6.3MM.
14	783916M1	43	Rod	(1) Thickness 7/32"/5.6MM.
15	1855726M95	1	Bracket	(1) (A)
15	1855507M96	1	Bracket	(1) (B)
15	1855770M94	1	Bracket	(1) (C)
20	784118M91	2	Bar	(A)
	3044163M91	3	Bar	(A)
21	3044166M1	6	Clip	(A)
22	784147M92	2	Plate	(B)
23		1	Plate	(22) Not serviced, order 784 147 M92
24	376430X1	6	Bolt Unf	(22)
25	794390M1	12	Eye	(22)
26	793525M1	6	Retainer	(22)
27	793526M91	6	Plate	(22)
28	353521X1	2	Bolt Unf	
29	353446X1	2	Lock Washer	
30	353916X1	2	Nut Unf	
31	338850X1	2	Bolt	
32	353433X1	2	Lock Washer	
33	353427X1	2	Nut Unf	
39	227393M1	1	Shaft	Up to Serial or Engine Number 658
	1855721M1	1	Shaft	From Serial or Engine Number 658 Up to Serial or Engine Number 2017
40	784824M1	1	Channel	
41	784829M1	27	Tine	
42	784826M1	1	Plate	
43	353796X1	8	Bolt Unf	
44	353446X1	8	Lock Washer	
45	353916X1	8	Nut Unf	
46	353797X1	3	Bolt Unf	
47	353755X1	3	Washer	
48	353446X1	3	Lock Washer	
49	353916X1	3	Nut Unf	

(A)  
CONCAVE WITH 1/4" DIA. AND 7/32" DIA. RODS --REMOV ABLE WIRES

(B)  
CONCAVE WITH 5/16" DIA. RODS - FIXED WIRES

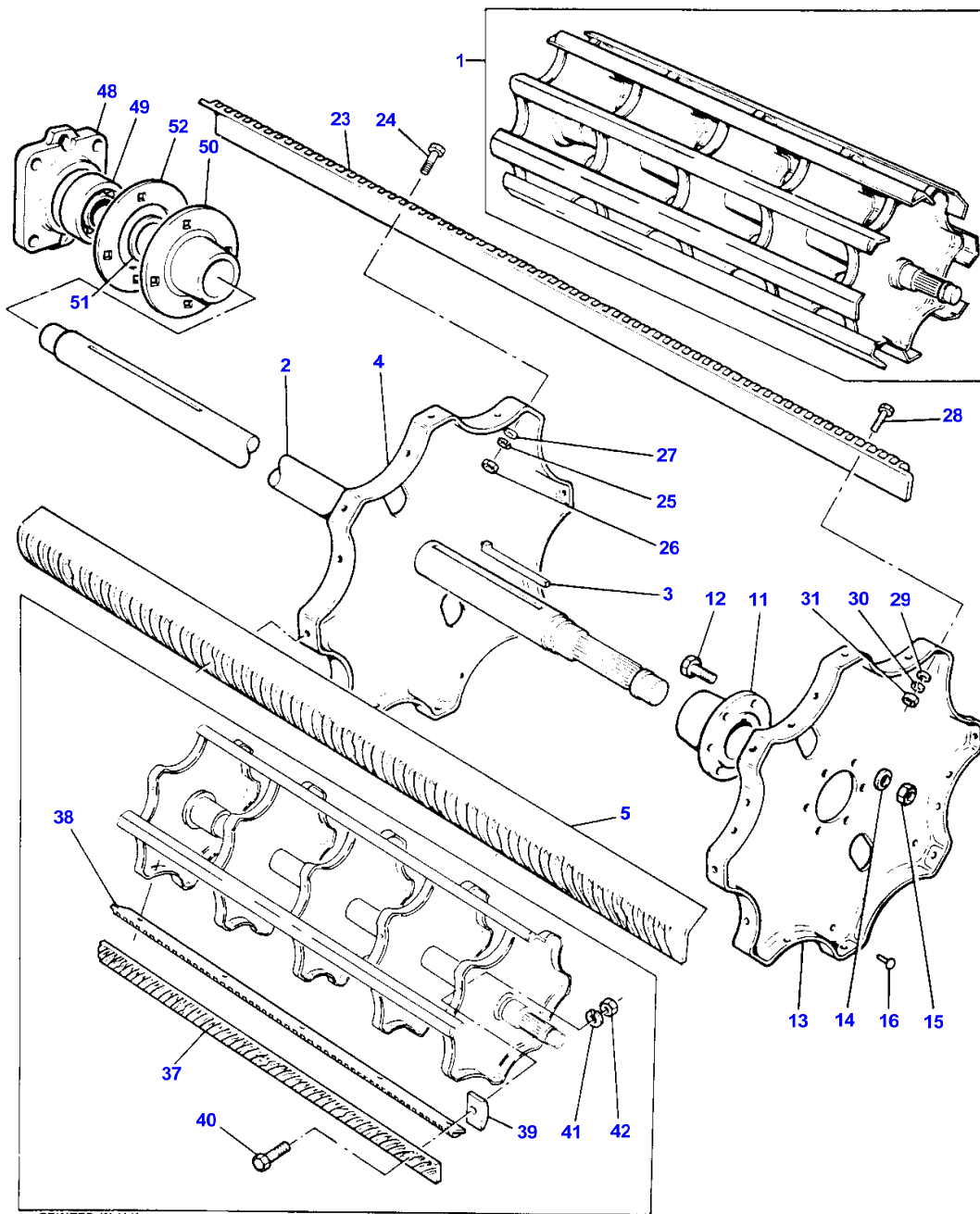
(C)  
RICE COMBINES ONLY

392

CYLINDER  
 BATTEUR  
 DRESCHTROMMEL  
 CILINDRO  
 CILINDRO

24353001

3-2435-001-A



PRINTED IN U.K.

520 525

819611-H (1)



CYLINDER

Item	Part Number	Qty	Description	Comments
1	787720M93	1	Cylinder	
2	787728M3	1	Shaft	(1)
3	338680X1	2	Key Door	(1)
				From Serial or Engine Number 874
3	338804X1	2	Key Door	(1)
				Up to Serial or Engine Number 874
4	795911M1	3	Support	(1)
5	911671M91	-	Kit, Repair	(1)
				Left Hand
11	233029M1	2	Hub	(1)
12	353560X1	12	Screw Unf	(1)
13	233030M1	2	Support	(1)
14	353432X1	12	Lock Washer	(1)
15	353426X1	12	Nut Unf	(1)
16	203381M1	X	Rivet	(1)
	203382M1	X	Rivet	(1)
	203383M1	X	Rivet	(1)
	203384M1	X	Rivet	(1)
	203417M1	X	Rivet	(1)
	203418M1	X	Rivet	(1)
23	911670M91	-	Kit, Repair	(1)
				Right Hand
24	353559X1	16	Screw Unf	(1)
25	353432X1	16	Lock Washer	(1)
26	353426X1	16	Nut Unf	(1)
27	784700M1	16	Washer	(1)
28	353559X1	24	Screw Unf	(1)
29	784700M1	24	Washer	(1)
30	353432X1	24	Lock Washer	(1)
31	353426X1	24	Nut Unf	(1)
37	262527M1	4	Bar	(A,B)
				Left Hand
38	262523M1	4	Bar	(A,B)
				Right Hand
39	262531M1	40	Spacer	(A,B)
40	353701X1	40	Screw Unc	(A,B)
41	22465X	40	Lock Washer	(A,B)
42	355645X1	40	Nut Unc	(A,B)
48	793833M1	1	Housing	
49	831783M1	1	Bearing	
50	234292M1	1	Cover	
51	832868M1	1	Washer	
52	234294M1	1	Gasket	

(A)  
MAIZE COMBINES ONLY

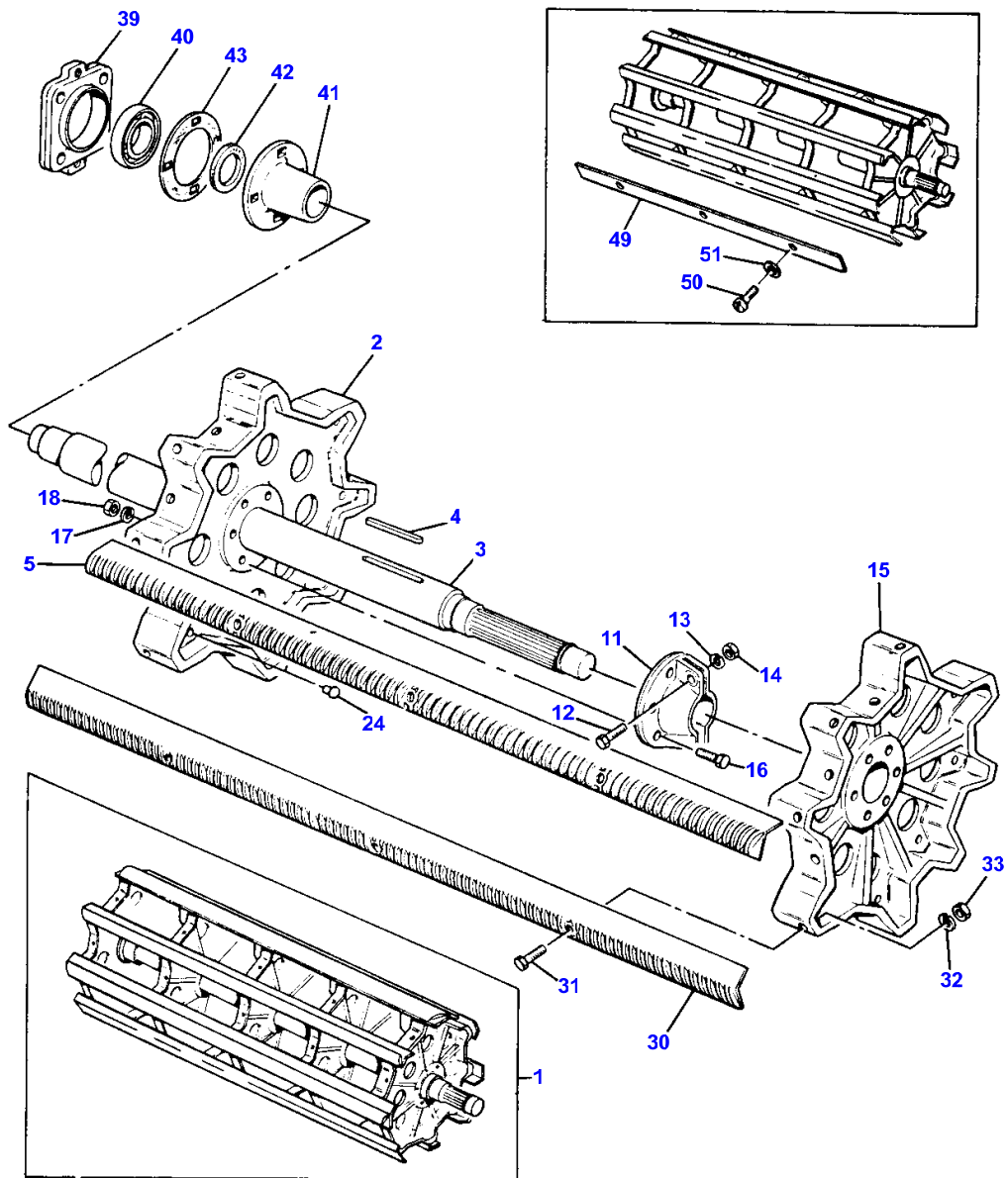
(B)  
INCLUDED IN KITS 784956M92 1855407M92 1855408M92 1 855409M92

394

HIGH INERTIA CYLINDER  
 BATTEUR HAUTE INERTIE  
 GUSSDRESCHTROMMEL  
 CILINDRO ALTA INERZIA  
 CILINDRO INERZIA

24403001

3-2440-001-A



PRINTED IN U.K.

520 525

819611-H (1)

MASSEY FERGUSON  
MF 520/525 COMBINES - 819611

819611

394

HIGH INERTIA CYLINDER - FROM SERIAL NO 2209

Item	Part Number	Qty	Description	Comments
				FROM SERIAL NO 2209
1	914805M94	1	Cylinder	
2	914731M3	2	Support	(1)
3	914734M2	1	Shaft	(1)
4	366886X1	2	Key	(1)
5	914959M92	-	Kit, Beater Bar	(1)
11	914733M2	2	Hub	(1)
12	353727X1	2	Screw Unc	(1)
13	353433X1	2	Lock Washer	(1)
14	375099X1	2	Nut Unc	(1)
15	914732M3	2	Support	(1)
16	353725X1	12	Bolt Unc	(1)
17	353439X1	12	Lock Washer	(1)
18	375098X1	12	Nut Unc	(1)
24	203381M1	X	Rivet	(1)
	203382M1	X	Rivet	(1)
	203383M1	X	Rivet	(1)
	203384M1	X	Rivet	(1)
	203417M1	X	Rivet	(1)
	203418M1	X	Rivet	(1)
	1615830M1	X	Rivet	(1)
	1615831M1	X	Rivet	(1)
30	914958M92	-	Kit, Beater Bar	(1)
31	367935X1	32	Bolt Unc	(1)
32	368385X1	32	Washer	(1)
33	338864X1	32	Nut	(1)
39	793833M1	1	Housing	
40	831783M1	1	Bearing	
41	234292M1	1	Cover	
42	832868M1	1	Washer	
43	234294M1	1	Gasket	
49	914796M1	8	Bar	(A)
50	367153X1	32	Screw	(A)
51	338690X1	32	Washer	(A)

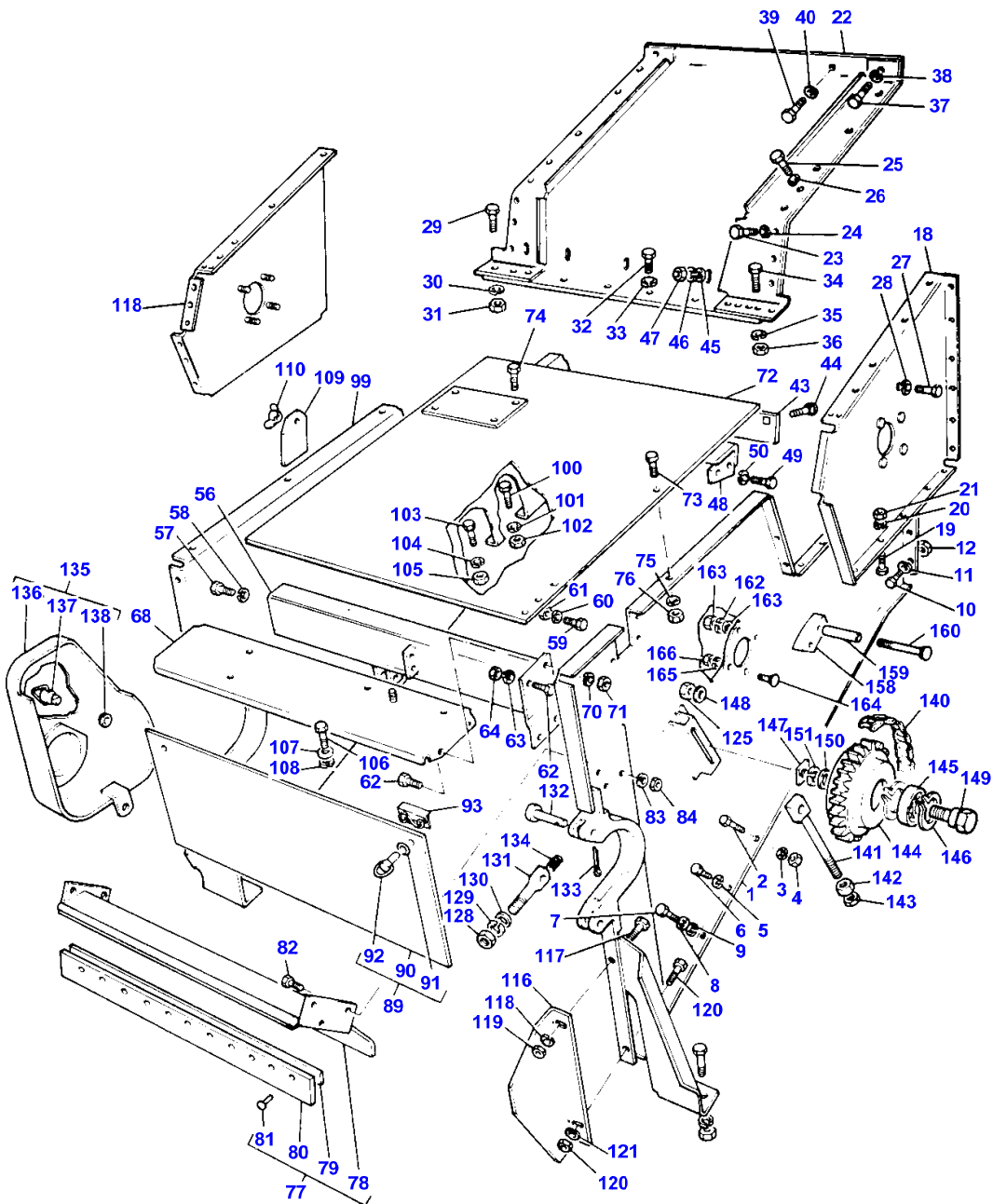
(A)  
MAIZE COMBINES ONLY

396

CYLINDER HOUSING  
 CAISSON DE BATTAGE  
 DRESCHKAMMER  
 CARCASSA CILINDRO  
 CUERPO CILINDRO

24103001

3-2410-001-B



PRINTED IN U.K.

520 525

819611-H (1)

CYLINDER HOUSING

Item	Part Number	Qty	Description	Comments
1	788780M92	1	Side	(B) Left Hand Up to Serial or Engine Number 658
1	1855724M92	1	Side	Left Hand From Serial or Engine Number 658 Up to Serial or Engine Number 2017
1	914925M91	1	Side	Left Hand From Serial or Engine Number 2017
2	353516X1	5	Screw Unf	
3	353446X1	5	Lock Washer	
4	353916X1	5	Nut Unf	
5	353559X1	1	Screw Unf	
6	353432X1	1	Lock Washer	
7	353560X1	2	Screw Unf	
8	353757X1	2	Washer	
9	353432X1	2	Lock Washer	
10	353516X1	3	Screw Unf	
11	353446X1	3	Lock Washer	
12	353916X1	3	Nut Unf	
18	914965M91	1	Side	Left Hand
	914964M91	1	Side	Right Hand
19	353516X1	28	Screw Unf	
20	353446X1	28	Lock Washer	
21	353916X1	28	Nut Unf	
22	788411M93	1	Roof	
23	353517X1	6	Screw Unf	
24	353446X1	6	Lock Washer	
25	353558X1	3	Screw Unf	
26	353432X1	3	Lock Washer	
27	353516X1	4	Screw Unf	
28	353446X1	4	Lock Washer	
29	353518X1	2	Screw Unf	
30	353446X1	2	Lock Washer	
31	353916X1	2	Nut Unf	
32	353558X1	2	Screw Unf	
33	353432X1	2	Lock Washer	
34	353560X1	3	Screw Unf	
35	353432X1	3	Lock Washer	
36	353916X1	3	Nut Unf	
37	353537X1	2	Screw Unf	
38	353434X1	2	Lock Washer	
39	353536X1	3	Screw Unf	
40	353434X1	3	Lock Washer	
43	1616896M1	1	Cutoff	
	788837M91	1	Cutoff	(D)
44	364534X1	9	Bolt	
	364533X1	11	Bolt	
45	353755X1	11	Washer	(E)
46	353446X1	11	Lock Washer	(E)
47	355565X1	9	Nut Unc	
48	788808M91	1	Support	
49	353519X1	2	Screw Unf	
50	353446X1	2	Lock Washer	
56	788792M92	1	Support	
57	353559X1	2	Screw Unf	

CYLINDER HOUSING

Item	Part Number	Qty	Description	Comments
58	353432X1	2	Lock Washer	
59	353559X1	1	Screw Unf	
60	353432X1	1	Lock Washer	
61	353426X1	1	Nut Unf	
62	353558X1	3	Screw Unf	
63	353432X1	3	Lock Washer	
64	353426X1	3	Nut Unf	
68	788845M93	1	Channel	
69	353558X1	4	Screw Unf	
70	353432X1	4	Lock Washer	
71	353426X1	4	Nut Unf	
72	1615633M91	1	Roof	
73	353516X1	6	Screw Unf	
74	353517X1	2	Screw Unf	
75	353446X1	8	Lock Washer	
76	353916X1	8	Nut Unf	
77	786953M92	1	Support	
78		1	Support	(77)
79	226927M2	1	Strap	(77)
80	226928M2	1	Strip	(77)
81	15824X	15	Rivet	(77)
82	353559X1	6	Screw Unf	
83	353432X1	6	Lock Washer	
84	353426X1	6	Nut Unf	
89	784183M92	1	Door	
90		1	Door	(89)
91	787900M1	2	Ring	(89)
92	1855691M1	2	Stud	(89)
93	912500M1	2	Spring	
99	788773M94	1	Side	(C) Right Hand Up to Serial or Engine Number 658
99	1855725M93	1	Side	Right Hand From Serial or Engine Number 658 Up to Serial or Engine Number 2017
99	1615849M91	1	Kit, Repair	Right Hand From Serial or Engine Number 2017 Up to Serial or Engine Number 3639
99	914988M91	1	Side	Right Hand From Serial or Engine Number 3639
100	353516X1	3	Screw Unf	
101	353446X1	3	Lock Washer	
102	353916X1	3	Nut Unf	
103	353517X1	2	Screw Unf	
104	353446X1	2	Lock Washer	
105	353916X1	2	Nut Unf	
106	353560X1	3	Screw Unf	
107	353757X1	3	Washer	
108	353432X1	3	Lock Washer	
109	912489M1	2	Door	Up to Serial or Engine Number 2017
110	355582X1	2	Nut Unf	Up to Serial or Engine Number 2017
116	1855343M2	1	Bracket	Left Hand
116	1855344M2	1	Bracket	Right Hand
117	353521X1	2	Bolt Unf	
118	353446X1	2	Lock Washer	
119	353916X1	2	Nut Unf	
120	353519X1	2	Screw Unf	
121	353446X1	2	Lock Washer	
122	353916X1	2	Nut Unf	

CYLINDER HOUSING

Item	Part Number	Qty	Description	Comments
128	353435X1	4	Nut Unf	
129	353440X1	4	Lock Washer	
130	353762X1	4	Washer	
131	787832M1	4	Bolt	
132	195405M1	4	Pin	
133	354066X1	4	Pin	
134	C 1026	2	Spring	
135	794653M93	1	Guard	
136		1	Guard	(135) Not serviced, order 794 653 M93
137	788877M1	1	Stud	(135)
138	788392M1	1	Washer	
140	912497M91	1	Chain	(A)
141	789987M91	1	Screw	
142	375098X1	1	Nut Unc	
143	375111X1	1	Nut Unc	
144	219348M1	1	Sprocket	
145	339581X1	1	Bearing Ball	
146	208230M1	1	Ring	
147	376849X1	X	Shim	
148	353760X1	1	Flat Washers	
149	795379M1	1	Trunnion	
150	353760X1	1	Flat Washers	
151	353433X1	1	Lock Washer	
152	227974M1	1	Nut	
158	793242M1	1	Guide	
159	793243M1	2	Sleeve	
160	354842X1	2	Bolt Unf	
161	353758X1	2	Washer	
162	353439X1	2	Lock Washer	
163	353437X1	2	Nut Unf	
164	353861X1	1	Bolt Unf	
165	353439X1	1	Lock Washer	
166	353437X1	1	Nut Unf	

(A)  
FOR SERVICE BREAKDOWN REFER CHAINS SECTION

(B)  
NO LONGER SERVICED USE 1855724M92 WITH 1855725M93 1855721M1 2 OFF  
1855717M1 AND 2 OFF 353519X1

(C)  
NO LONGER SERVICED USE 1855725M93 WITH 1855724M92 1855721M1 2 OFF  
1855717M1 AND 2 OFF 353519X1

(D)  
NO LONGER SERVICED USE 1616 896 M1 ,364 533 X1 -2 364 534 X1 -9 ,338 688 X1  
-11 AND 355 565 X1 -11

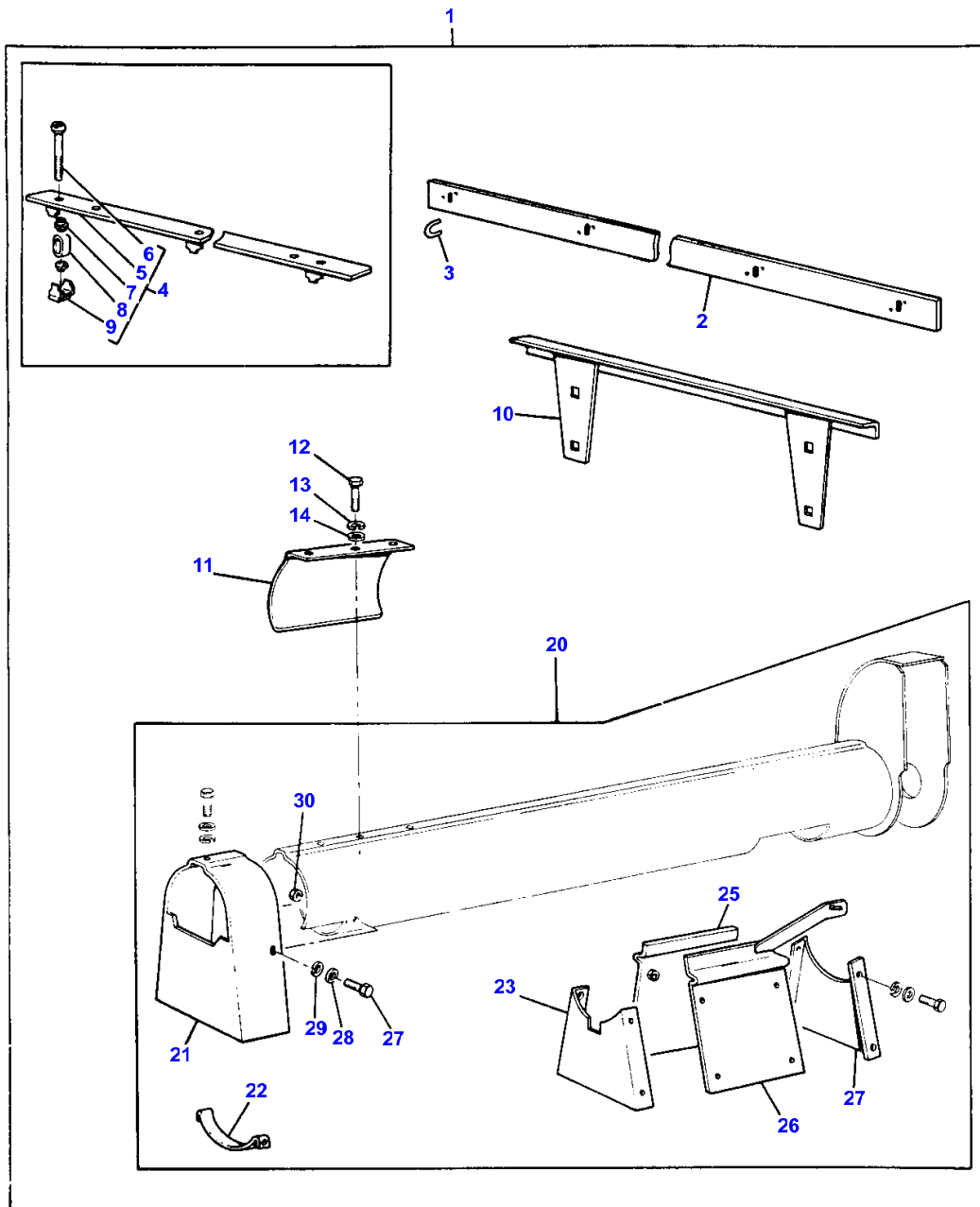
(E)  
FOR USE WITH 788 837 M91

404

SMALL SEED KIT  
 JEU POUR PETITES GRAINES  
 SATZ ANBAUTEILE FUER KLEINSAMEN  
 GRUPPO SEMINATRICE  
 JUEGO PARA SEMILLAS GRAMINEAS

24903002

3-2490-002-A



PRINTED IN U.K.

520 525

819611-H (1)



SMALL SEED KIT

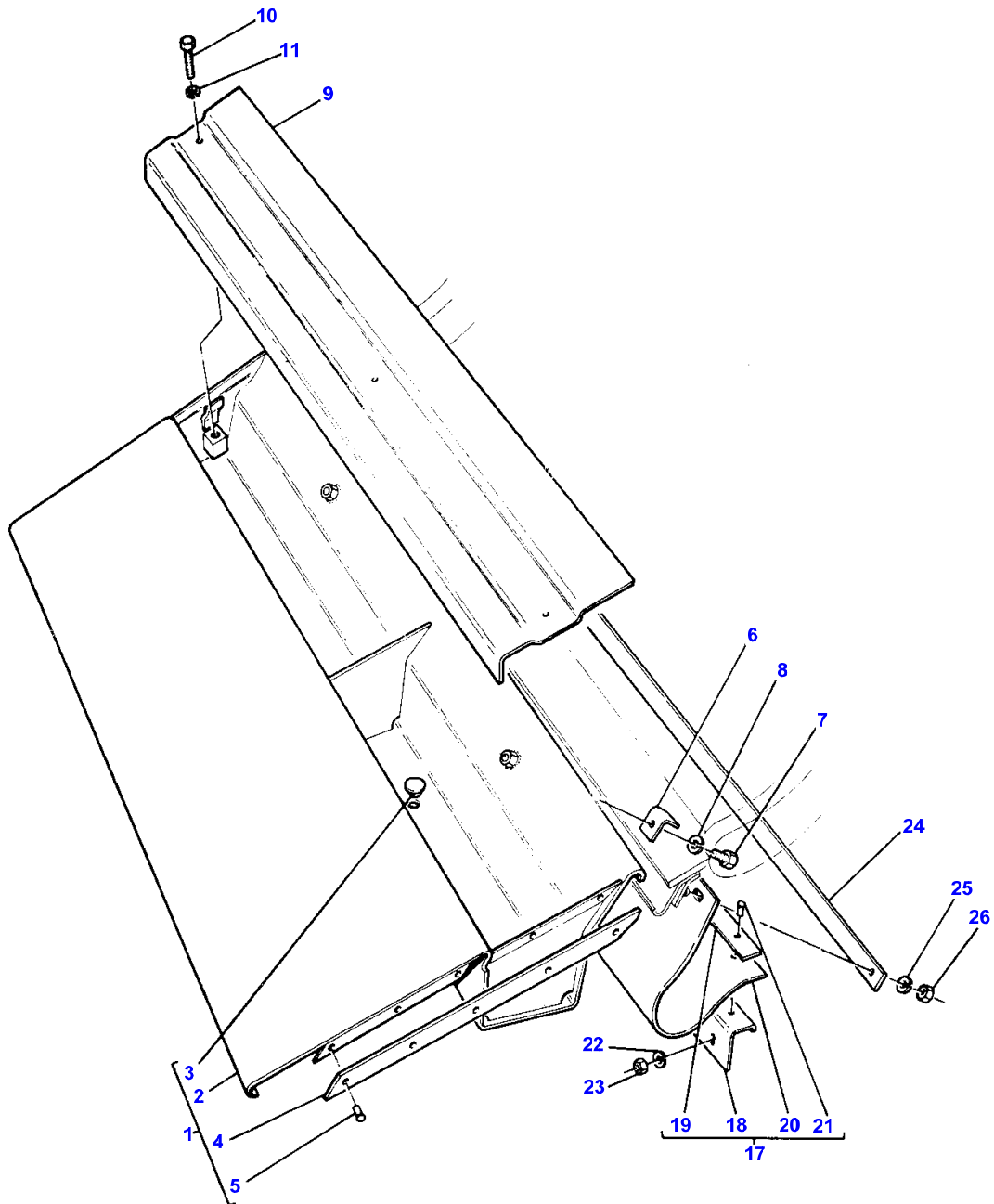
Item	Part Number	Qty	Description	Comments
1	784790M93	X	Kit, Small Seed	(A,C)
	784791M92	X	Kit, Small Seed	(B,C)
2	784118M91	3	Bar	(1) (B)
3	3044166M1	9	Clip	(1) (B)
4	784147M92	3	Plate	(1) (A)
5		1	Plate	(4) (A)
6	376430X1	3	Bolt Unf	Not serviced, order 784 147 M92 (4) (A)
7	794390M1	6	Eye	(4) (A)
8	793525M1	3	Retainer	(4) (A)
9	793526M91	3	Plate	(4) (A)
10	793389M91	4	Blade Cutter	(1)
11	782817M1	1	Cover	(1)
12	353516X1	2	Screw Unf	(1)
13	353446X1	2	Lock Washer	(1)
14	353755X1	2	Washer	(1)
20	784785M92	1	Mounting	(1)
21	784775M91	1	Baffle	(20)
22	784778M2	1	Bracket	(20)
23	784783M1	1	Cover	(20)
24	784784M1	1	Cover	(20)
25	784782M91	1	Side	(20)
26	784779M91	1	Side	(20)
27	353516X1	11	Screw Unf	(20)
28	353755X1	11	Washer	(20)
29	353446X1	11	Lock Washer	(20)
30	353916X1	2	Nut Unf	(20)
				(A) CONCAVE WITH 5/16"(8MM)DIA.ROOS-FIXED WIRES
				(B) CONCAVE WITH 1/4"(6.4MM) AND 7/32"(5.6MM) DIA. ROD S REMOVABLE WIRES
				(C) NO LONGER SERVICED,ORDER DETAILS

406

STONE TRAP  
BAC A PIERRES  
STEINFALLE  
NASTRO ABRASIVO  
TRAMPILLA PARA PIEDRAS

24753002

3-2475-002-A



PRINTED IN U.K.

520 525

819611-H (1)

**MASSEY FERGUSON**  
**MF 520/525 COMBINES - 819611**

819611

406

**STONE STRAP - FROM SERIAL NO 1635**

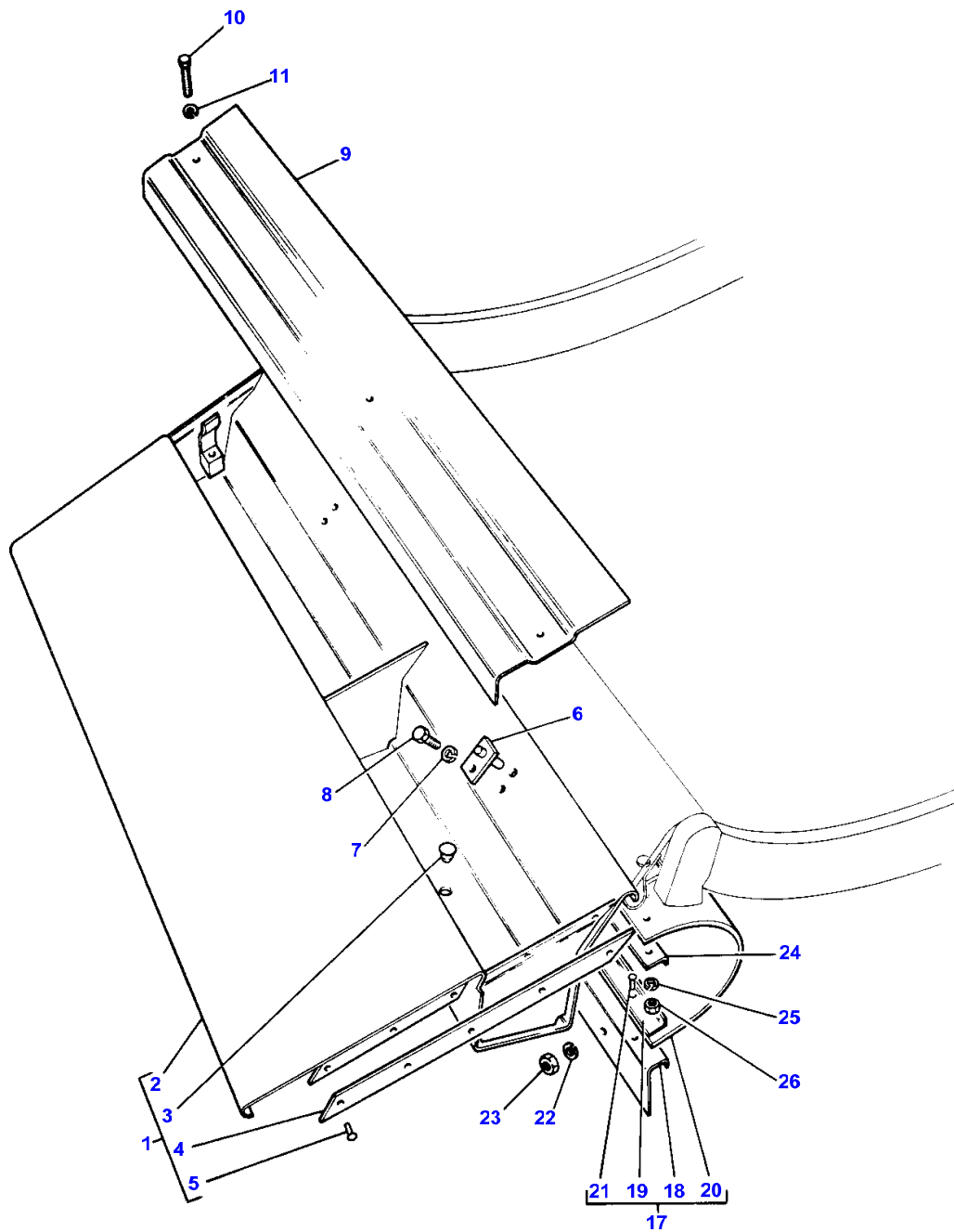
Item	Part Number	Qty	Description	Comments
				FROM SERIAL NO 1635
1	617879M91	1	Trap	
2		1	Trap	(1)
				Not serviced, order 617 879 M91
3	359363X1	2	Plug	(1)
4	788911M1	2	Strip	(1)
5	49189X	10	Rivet	(1)
6	617849M1	2	Angle	
7	353516X1	2	Screw Unf	
8	353446X1	2	Lock Washer	
9	789101M1	1	Cover	
10	353535X1	3	Bolt Unf	
11	353446X1	3	Lock Washer	
17	617839M93	1	Curtain	
18		1	Curtain	(17)
				Not serviced, order 617 839 M93
19		1	Curtain	(17)
				Not serviced, order 617 839 M93
20	784222M1	1	Curtain	(17)
21	350312X1	7	Rivet	(17)
22	353446X1	7	Lock Washer	
23	353916X1	7	Nut Unf	
24	617835M1	1	Strip	
25	353446X1	7	Lock Washer	
26	353916X1	7	Nut Unf	

408

STONE TRAP  
BAC A PIERRES  
STEINFALLE  
NASTRO ABRASIVO  
TRAMPILLA PARA PIEDRAS

24753003

3-2475-003-A



PRINTED IN U.K.

520 525

819611-H (1)

STONE STRAP - UP TO SERIAL NO 1635

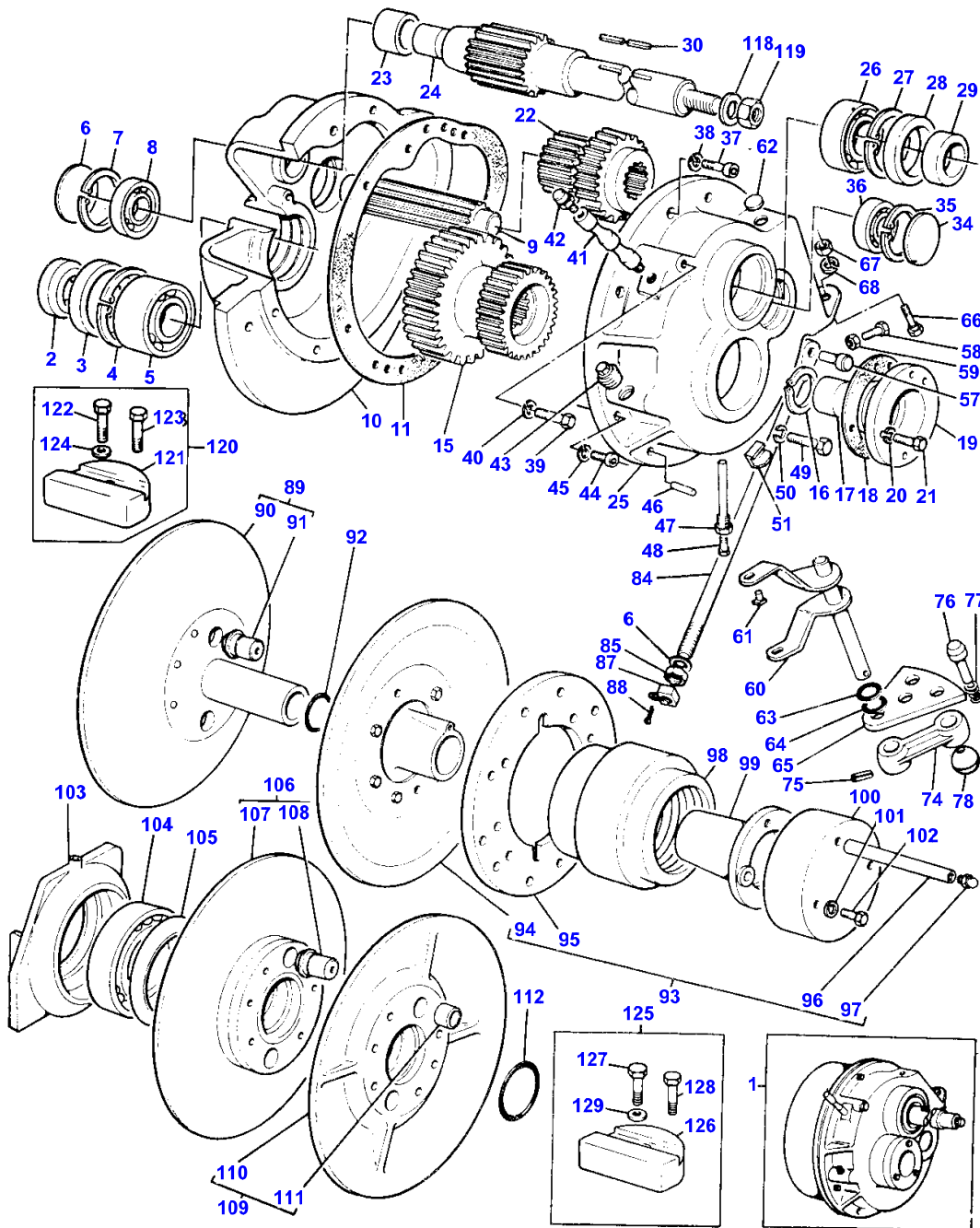
Item	Part Number	Qty	Description	Comments
				UP TO SERIAL NO 1635
1	788903M91	1	Trap	(C)
2		1	Trap	(1)
				Not serviced, order 788 903 M91
3	359363X1	2	Plug	(1)
4	788911M1	2	Strip	(1)
5	49189X	10	Rivet	(1)
6	788927M92	2	Plate	
7	353441X1	2	Lock Washer	
8	353502X1	2	Screw Unf	
9	789101M1	1	Cover	
10	353535X1	3	Bolt Unf	
11	353446X1	3	Lock Washer	
17	788946M92	1	Curtain	(A)
18		1	Curtain	(17)
				Not serviced, order 617 839 M93
19		1	Curtain	(17)
				Not serviced, order 617 839 M93
20	784222M1	1	Curtain	(17)
21	350312X1	7	Rivet	(17)
22	353446X1	7	Lock Washer	
23	353916X1	7	Nut Unf	
24	1855192M1	1	Strip	(B)
25	353446X1	7	Lock Washer	
26	353916X1	7	Nut Unf	
				(A) NO LONGER SERVICED USE 617 839 M93
				(B) NO LONGER SERVICED USE 617 835 M1
				(C) NO LONGER SERVICED USE 617 879 M91 WITH 617 849 M1 2 OFF

410

CYLINDER DRIVE  
 COMMANDE DE BATTAGE  
 DRESCHTROMMELANTRIEB  
 TRASMISSIONE CILINDRO  
 MANDO CILINDRO

24503001

3-2450-001-A



PRINTED IN U.K.

520 525

819611-H (1)

**CYLINDER DRIVE**

Item	Part Number	Qty	Description	Comments
1	1855649M92	1	Gearbox	
2	417356M1	1	Ring	(1)
3	417355M1	1	Washer	(1)
4	1440516X1	1	Circlip	(1)
5	391570X1	1	Bearing	(1)
6	390238X1	1	Plug	(1)
7	1440479X1	1	Circlip	(1)
8	1440494X1	1	Bearing Ball	(1)
9	782821M1	1	Shaft	(1)
10	782818M1	1	Housing	(1) Up to Serial or Engine Number 3639
10	914986M1	1	Housing	(1) From Serial or Engine Number 3639
11	782819M1	1	Gasket	(1)
15	417354M1	1	Gear	(1)
16	339820X1	1	Circlip	(1)
17	415587M1	1	Bearing	(1)
18	782980M1	1	Gasket	(1)
19	784068M1	1	Housing	(1)
20	339374X1	3	Lock Washer	(1)
21	391947X1	3	Bolt Metric	(1)
22	782822M1	1	Gear	(1)
23	415587M1	1	Bearing	(1)
24	782839M1	1	Shaft	(1)
25	782820M1	1	Housing	(1) Up to Serial or Engine Number 3639
25	914985M1	1	Housing	(1) From Serial or Engine Number 3639
26	AC 1163	1	Bearing Ball	(1)
27	339437X1	1	Circlip	(1)
28	793411M1	1	Seal	(1)
29	415574M1	1	Spacer	(1)
30	377255X1	1	Key	(1)
34	390238X1	1	Plug	(1)
35	1440479X1	1	Circlip	(1)
36	1440494X1	1	Bearing Ball	(1)
37	390580X1	2	Screw Metric	(1)
38	391241X1	2	Washer	(1)
39	339269X1	1	Bolt Metric	(1) Up to Serial or Engine Number 3639
39	391904X1	1	Bolt Metric	(1) From Serial or Engine Number 3639
40	339376X1	1	Lock Washer	(1) Up to Serial or Engine Number 3639
40	338690X1	1	Washer	(1) From Serial or Engine Number 3639
41	417369M1	1	Extension	(1)
42	190729M91	1	Breather	(1)
43	391562X1	1	Plug	(1)
44	1441436X1	4	Screw Metric	(1)
45	391241X1	4	Washer	(1)
46	339675X1	2	Pin	(1)
47	792667M91	1	Plug	(1)
48	356039X1	1	Plug	(1)
49	391561X1	2	Screw Metric	(1) Up to Serial or Engine Number 3639
49	391112X1	2	Bolt Metric	(1) From Serial or Engine Number 3639
50	339376X1	2	Lock Washer	(1) Up to Serial or Engine Number 3639
50	338690X1	2	Washer	(1) From Serial or Engine Number 3639
51	417371M1	3	Clamp	(1) Up to Serial or Engine Number 3639
51	1615851M1	3	Clamp	(1) From Serial or Engine Number 3639
57	782823M1	1	Pin	(1)
58	1441777X1	1	Screw Metric	(1) Up to Serial or Engine Number 3639
58	1442863X1	1	Screw Metric	(1)

**CYLINDER DRIVE**

Item	Part Number	Qty	Description	Comments
				From Serial or Engine Number 3639
59	390345X1	1	Nut Metric	(1)
60	782825M91	1	Finger	(1)
61	417362M1	2	Block	(1)
62	391563X1	1	Plug	(1)
63	391156X1	1	Seal	(1)
64	391724X1	1	Ring	(1)
65	417791M1	1	Bush	(1)
66	417368M1	1	Screw	(1)
67	339433X1	1	Nut Metric	(1)
68	339376X1	1	Lock Washer	(1)
74	417790M1	1	Lever	(1)
75	390538X1	1	Roll Pin	(1)
76	417789M1	1	Plunger	(1)
77	415586M1	1	Spring	(1)
78	415756M1	1	Knob	(1)
84	787660M2	1	Rod	
85	375099X1	2	Nut Unc	
86	353760X1	2	Flat Washers	
87	226995M1	1	Pin	Up to Serial or Engine Number 3639
87	914982M1	1	Block	From Serial or Engine Number 3639
88	354059X1	1	Pin	
89	1616300M91	1	Pulley	
90		1	Pulley Half	(89) Not serviced, order 1616300M91
91	227351M1	2	Pin	(89)
92	195565M1	1	O Ring	(89)
93	226982M92	1	Pulley	
94		1	Pulley Half	(93) Not serviced, order 226982M92
95	795025M1	1	Collar	(93)
96	226989M1	1	Pipe	(93)
97	200191M1	1	Nipple	(93)
98	226991M91	1	Housing	
99	794579M2	1	Retainer	
100	794572M91	1	Cup	
101	353446X1	2	Lock Washer	
102	353687X1	2	Bolt Unc	
103	794780M1	1	Housing	
104	832316M1	1	Bearing	
105	230832M1	1	Cage	
106	230830M92	1	Pulley	
107		1	Pulley Half	(106) Not serviced, order 230830M92
108	227351M1	2	Pin	(106)
109	226976M92	1	Pulley	
110		1	Pulley Half	(109) Not serviced, order 226976M92
111	226979M1	2	Bush	(109)
112	1009654M1	1	Seal	(109)
118	338968X1	1	Washer	
119	353436X1	2	Nut Unf	
120	1615593M91	1	Chain	
121	1615851M1	3	Clamp	
122	391112X1	2	Bolt Metric	(120)
123	391904X1	1	Bolt Metric	(120)
124	338690X1	3	Washer	(120)
125	1615958M91	1	Kit, Repair	
126	1615955M1	3	Clamp	(125)
127	391924X1	2	Bolt Metric	(125)
128	1442920X1	1	Bolt Metric	(125)
129	338865X1	3	Washer	(125)

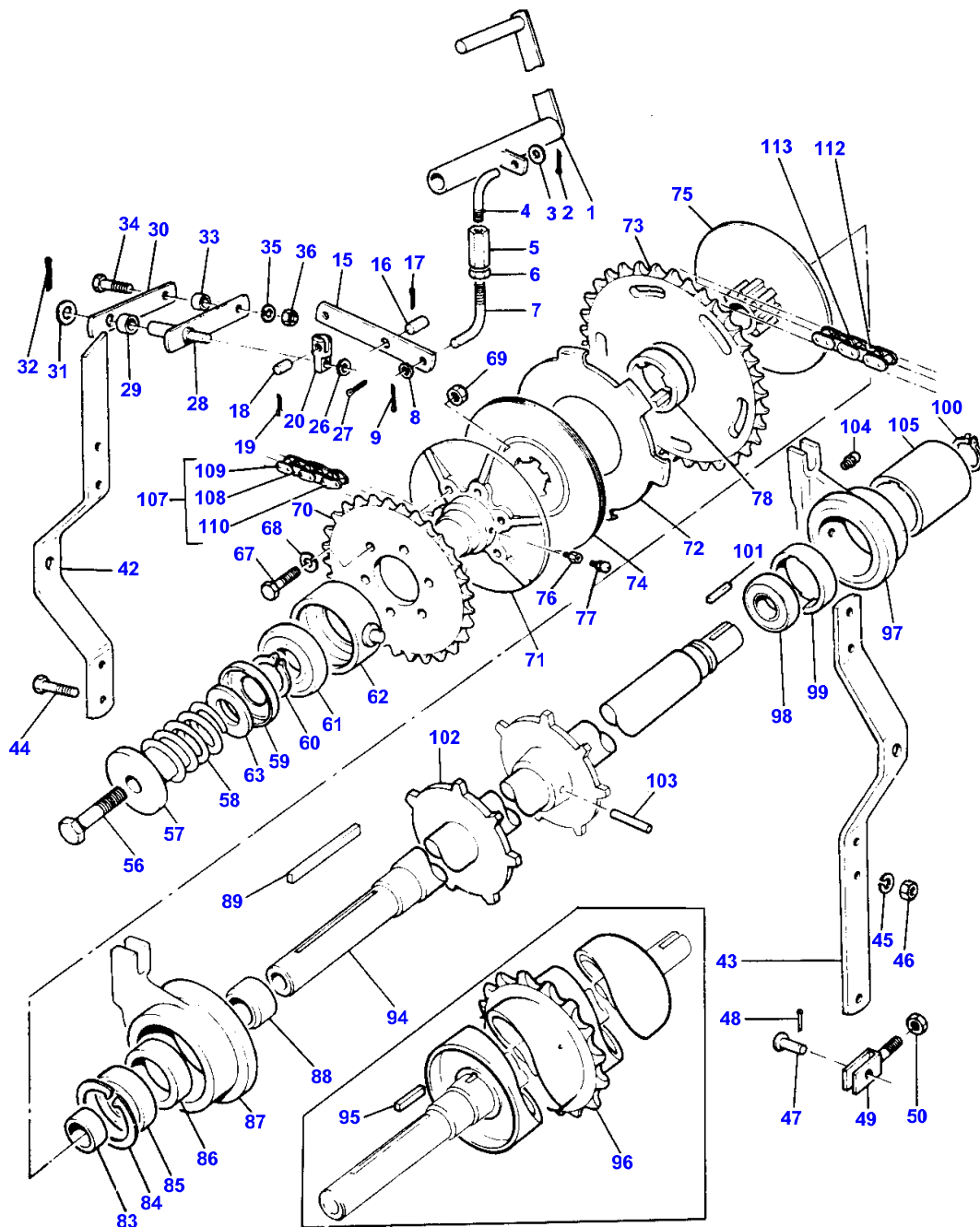


416

TOP SHAFT AND CLUTCH CONTROLS  
 ARBRE DE COMMANDE ET DE BRAYAGE DE TABLE  
 HINTERE EINZUGSELEVATORTROMMEL UND KUPPLUNG  
 ALBERO SUPERIORE E COMANDO FRIZIONE  
 EJE SUPERIOR Y CONTROLES DEL EMBRAGUE

23313001

3-2331-001-B



PRINTED IN U.K.

520 525

819611-H (1)

TOP SHAFT AND CLUTCH CONTROLS

Item	Part Number	Qty	Description	Comments
1	784058M91	1	Lever	
2	354057X1	1	Pin	
3	353756X1	1	Washer	
4	234757M1	1	Rod	
5	234758M1	1	Buckle	
6	375111X1	1	Nut Unc	
7	234759M1	1	Rod	
8	353756X1	1	Washer	
9	354057X1	1	Pin	
15	234763M1	1	Bar	
16	195407M1	1	Clevis Pin	
17	354066X1	1	Pin	
18	831174M1	1	Pin	
19	354048X1	1	Pin	
20	234764M1	1	Link	
26	353757X1	1	Washer	
27	354059X1	1	Pin	
28	234761M91	1	Pin	
29	228539M1	1	Roller	
30	234760M1	1	Strap	
31	353759X1	1	Washer	
32	354059X1	1	Pin	
33	228538M1	1	Spacer	
34	353522X1	1	Bolt Unf	
35	353446X1	1	Lock Washer	
36	353916X1	1	Nut Unf	
42	619403M1	1	Lever	
43	619404M1	1	Lever	
44	353527X1	4	Screw	
45	353446X1	4	Lock Washer	
46	353916X1	4	Nut Unf	
47	195402M1	1	Pin	
48	354066X1	1	Pin	
49	784195M91	1	Clevis	
50	353438X1	2	Nut Unf	
56	353619X1	1	Bolt Unf	Up to Serial or Engine Number 6320
	353613X1	1	Screw Unf	From Serial or Engine Number 6320
57	226579M1	1	Retainer	Up to Serial or Engine Number 6320
	1616437M1	1	Washer	From Serial or Engine Number 6320
58	665184M1	1	Spring	Up to Serial or Engine Number 6320
59	226580M1	1	Retainer	Up to Serial or Engine Number 6320
60	350394X1	1	Ring	Up to Serial or Engine Number 6320
61	353236X1	1	Bearing	Up to Serial or Engine Number 6320
62	228545M1	1	Housing	Up to Serial or Engine Number 6320
63	914697M1	1	Spacer	Up to Serial or Engine Number 6320
67	353678X1	6	Screw Unc	Up to Serial or Engine Number 6320
	338946X1	6	Bolt Unf	From Serial or Engine Number 6320
68	353446X1	6	Lock Washer	Up to Serial or Engine Number 6320
	338688X1	6	Washer	From Serial or Engine Number 6320
69	353916X1	6	Nut Unf	From Serial or Engine Number 6320
70	226582M1	1	Sprocket	
	784685M1	1	Sprocket	(A)
	783507M1	1	Sprocket	(B)
71	794491M1	1	Disc	Up to Serial or Engine Number 6320
72	226583M91	2	Disc	Up to Serial or Engine Number 6320
73	788071M1	1	Sprocket	
	658041M1	1	Sprocket	(A)
				Up to Serial or Engine Number 6320
73	1616971M1	1	Sprocket	(A)
				From Serial or Engine Number 6320
73	658040M2	1	Sprocket	(B)
74	226586M91	1	Disc	Up to Serial or Engine Number 6320
75	226590M91	1	Hub	Up to Serial or Engine Number 6320
	1616438M1	1	Hub	From Serial or Engine Number 6320
76	794481M1	1	Rod	Up to Serial or Engine Number 6320
77	200191M1	1	Nipple	Up to Serial or Engine Number 6320
78	226593M1	1	Bearing	Up to Serial or Engine Number 6320
83	361092X1	1	Spacer	
84	352433X1	1	Circlip	
85	831822M1	1	Bearing	

TOP SHAFT AND CLUTCH CONTROLS

Item	Part Number	Qty	Description	Comments
86	832077M1	1	Cup	
87	787831M1	1	Support	
88	226594M1	1	Spacer	Up to Serial or Engine Number 6320
89	356934X1	1	Key	Up to Serial or Engine Number 6320
89	330915X1	1	Key	From Serial or Engine Number 6320
94	226604M91	1	Shaft	Up to Serial or Engine Number 6320
94	1616760M1	1	Shaft	From Serial or Engine Number 6320
95	353186X1	1	Key Parallel	Up to Serial or Engine Number 6320
96	794399M92	1	Drum	Up to Serial or Engine Number 6320
97	787831M1		Support	
98	831822M1	1	Bearing	
99	832077M1	1	Cup	
100	352699X1	1	Ring	
101	355699X1	1	Key	
102	1616676M1	4	Sprocket	From Serial or Engine Number 6320
103	338935X1	4	Pin	From Serial or Engine Number 6320
104	19575X	2	Grease Nipple	
105	914504M1	1	Spacer	
107	619856M91	1	Extension	(B)
108	329419M91	2	Link	(107)
109	329280M91	2	Link	(107)
110	329420M91	1	Cranked Link	(107)
111	GB 3687	1	Extension	(B)
112	329419M91	3	Link	(111)
113	329280M91	3	Link	(111)

(A)  
HEAVY DUTY ELEVATOR ONLY

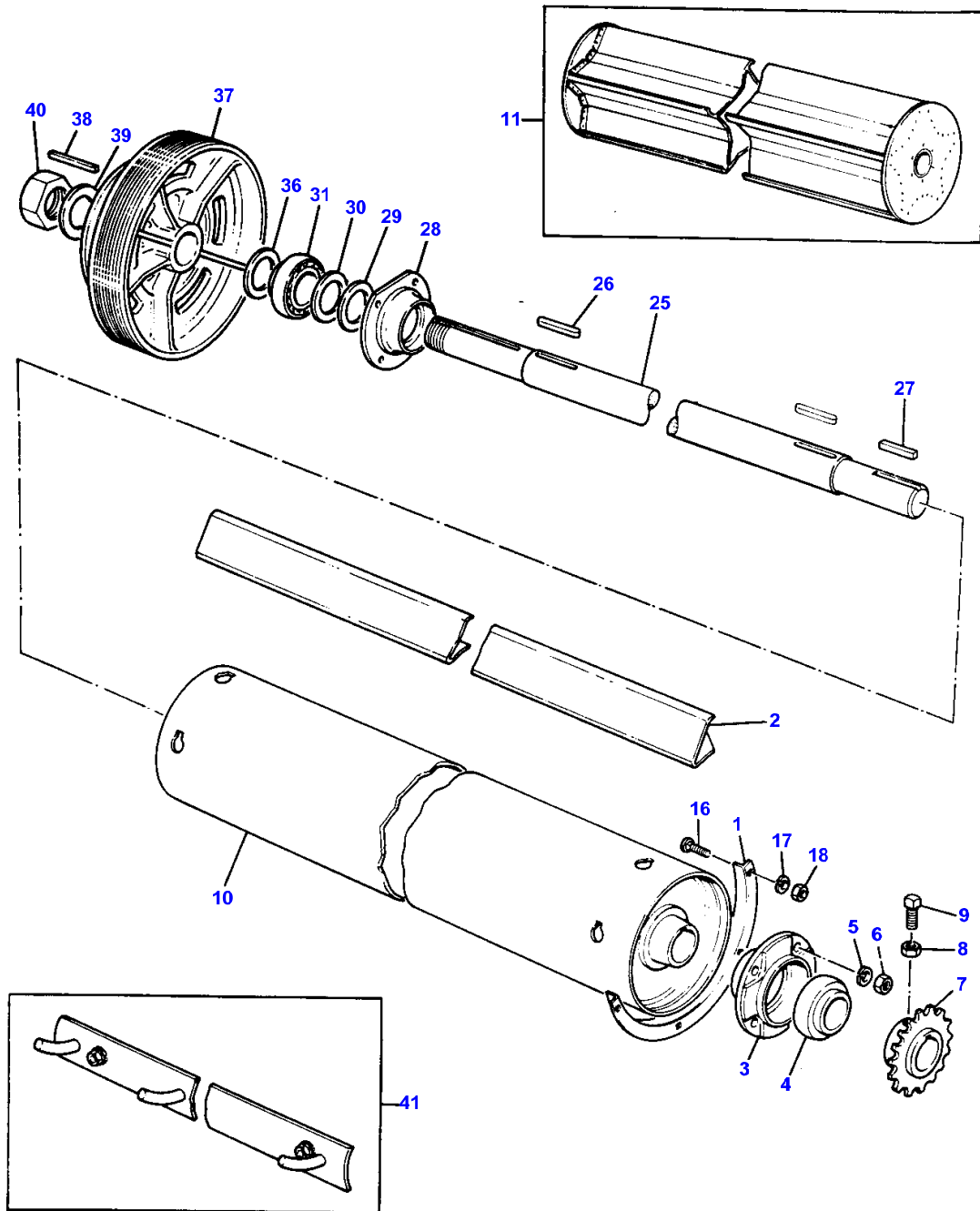
(B)  
MAIZE COMBINES ONLY

420

REAR BEATER  
 TAMBOUR DEFLECTEUR  
 HINTERER SCHLAEGER  
 POSTBATTITORE  
 BATIDOR TRASERO

24853001

3-2485-001-A



PRINTED IN U.K.

520 525

819611-H (1)

**MASSEY FERGUSON  
MF 520/525 COMBINES - 819611**

819611

420

**REAR BEATER - UP TO SERIAL NO 6320**

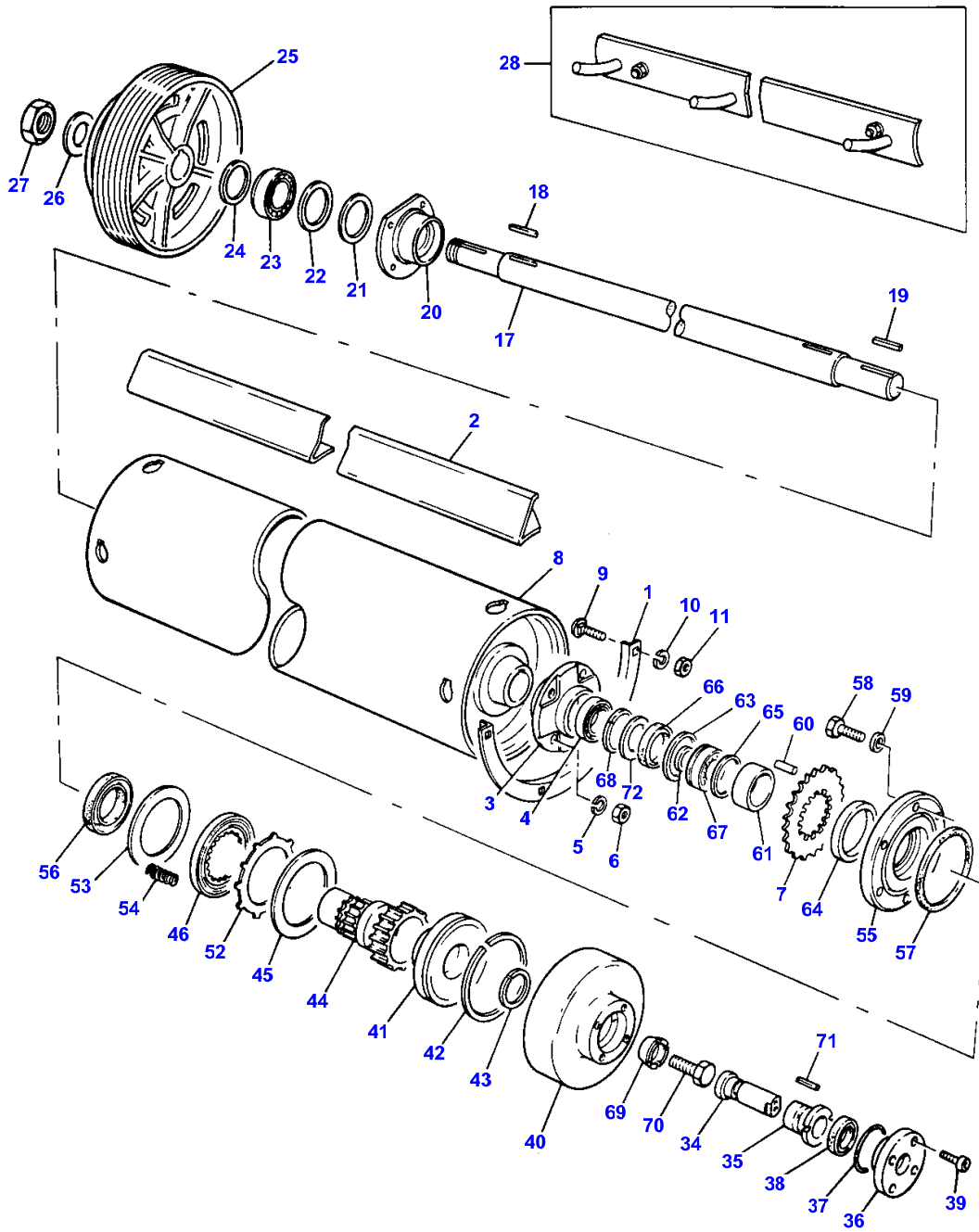
Item	Part Number	Qty	Description	Comments
				UP TO SERIAL NO 6320
1	783490M1	2	Shield	
2	782781M92	5	Vane	(A)
	1855350M92	5	Vane	(C)
3	794918M1	1	Housing	
4	895720M1	1	Bearing	
5	353439X1	8	Lock Washer	
6	353437X1	8	Nut Unf	
7	912559M92	1	Sprocket	
8	375110X1	2	Nut Unc	
9	353747X1	2	Screw Unc	
10	782774M92	1	Cylinder	
11	1855538M91	1	Beater	Alternative 782774M92
16	353791X1	8	Bolt Unf	
17	353446X1	8	Lock Washer	
18	353916X1	8	Nut Unf	
25	789919M1	1	Shaft	
26	353186X1	2	Key Parallel	
27	MP 1379	1	Key	
28	794918M1	1	Housing	
29	795070M1	X	Shim	
30	1855420M1	X	Shim	
31	895720M1	1	Bearing	
36	795063M1	1	Washer	
37	789921M1	1	Pulley	
38	MP 1384	1	Key Door	
39	789915M1	1	Washer	
40	789916M1	1	Nut	
41	1615121M92	5	Strap	(B,D)
				(A) USED WITH 782774M92 ONLY
				(B) MAIZE COMBINES ONLY
				(C) RICE COMBINES ONLY
				(D) ACCESSORY GRAIN COMBINES ONLY

424

REAR BEATER  
 TAMBOUR DEFLECTEUR  
 HINTERER SCHLAEGER  
 POSTBATTITORE  
 BATIDOR TRASERO

24853003

3-2485-003-A



PRINTED IN U.K.

520 525

819611-H (1)

**MASSEY FERGUSON****MF 520/525 COMBINES - 819611**

819611

424

**REAR BEATER - FROM SERIAL NO 6320**

Item	Part Number	Qty	Description	Comments
				FROM SERIAL NO 6320
1	783490M1	2	Shield	
2	782781M92	5	Vane	
	1855350M92	5	Vane	(A)
3	794918M1	1	Housing	
4	895720M1	1	Bearing	
5	353439X1	8	Lock Washer	
6	353437X1	8	Nut Unf	
7	1616404M1	1	Sprocket	
8	782774M92	1	Cylinder	
9	353791X1	8	Bolt Unf	
10	353446X1	8	Lock Washer	
11	353916X1	8	Nut Unf	
17	1616406M2	1	Shaft	
18	353186X1	2	Key Parallel	
19	MP 1379	1	Key	
20	794918M1	1	Housing	
21	795070M1	X	Shim	
22	1855420M1	X	Shim	
23	895720M1	1	Bearing	
24	795063M1	1	Washer	
25	789921M1	1	Pulley	
26	789915M1	1	Washer	
27	789916M1	1	Nut	
28	1615121M92	5	Strap	
34	1616401M1	1	Shaft	
35	1616403M1	1	Bush	
36	1616400M1	1	Cover	
37	364072X1	1	Ring	
38	3000471X1	1	Seal	
39	360773X1	4	Screw	
40	1616407M1	1	Housing	
41	1616846M1	1	Piston	
42	185425M1	1	Ring	
43	186580M1	1	Ring	
44	1616405M2	1	Bush	
45	1616719M1	1	Washer	
46	1870074M1	4	Disc	
52	503585M1	5	Plate	
53	1616881M1	-	Washer	
54	658167M1	11	Spring	
55	1616402M2	1	Cover	
56	3000469X1	1	Seal	
57	359214X1	1	O Ring	
58	353693X1	6	Screw Unc	
59	338831X1	6	Washer	
60	1441254X1	1	Bearing Needle	
61	3000468X1	1	Ring	
62	1616398M1	1	Spacer	
63	390791X1	1	Circlip	
64	1616399M1	1	Spacer	
65	1440533X1	1	Circlip	
66	3000470X1	1	Seal	
67	3000467X1	1	Bearing	
68	355983X1	1	Ring	
69	1616718M1	1	Washer	
70	338944X1	1	Bolt	
71	764055M1	2	Pin	
72	1616824M1	1	Washer	

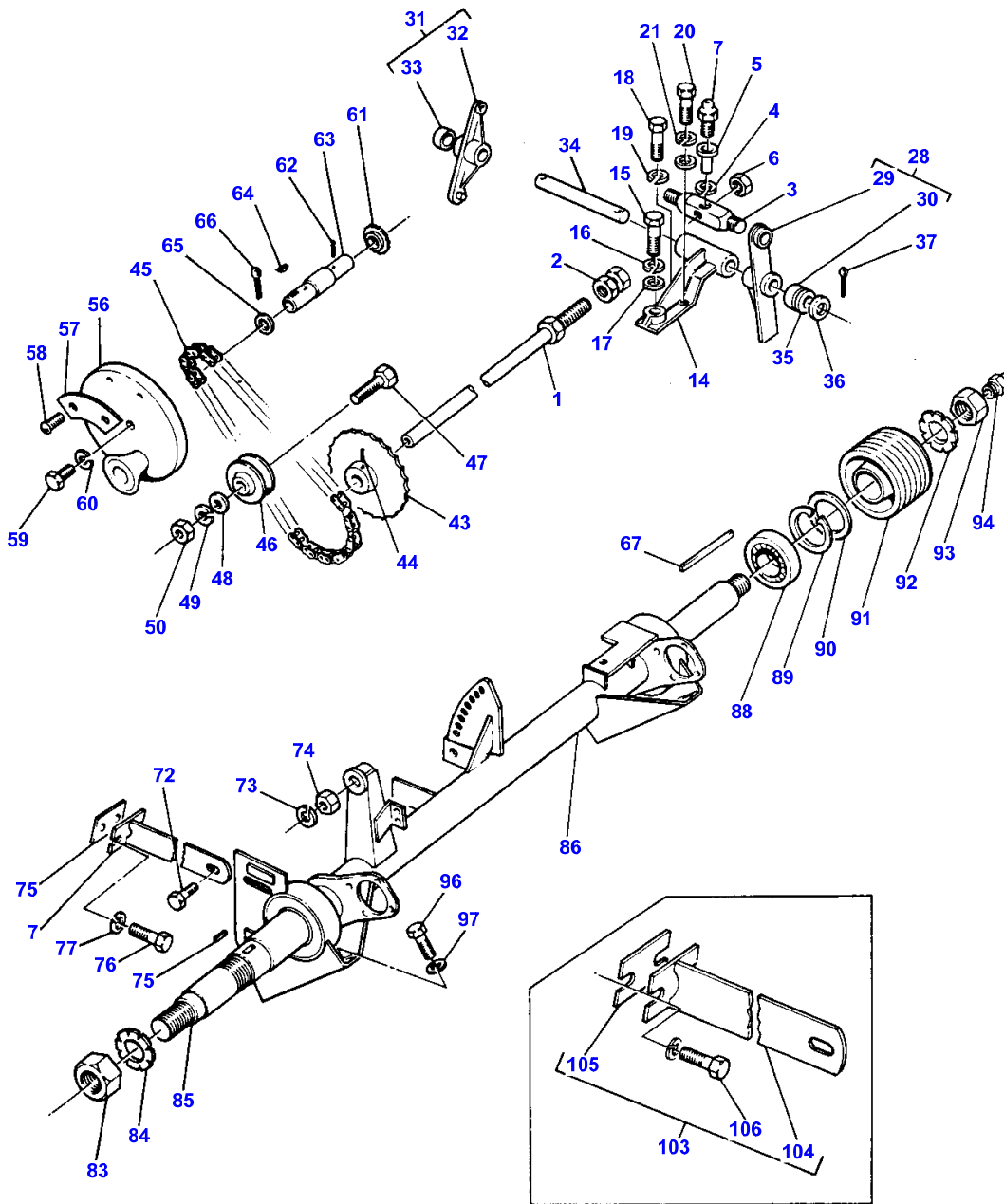
(A)  
RICE COMBINES ONLY

428

MAIN COUNTERSHAFT  
 ARBRE PRINCIPAL COMMANDE DU VARIATEUR BATTEUR  
 VORGELEGEWELLE  
 ALBERO PRINCIPALE  
 CONTRAEJE PRINCIPAL

24213001

3-2421-001-A



PRINTED IN U.K.

520 525

819611-H (1)



MAIN COUNTERSHAFT

Item	Part Number	Qty	Description	Comments
1	230634M91	1	Rod	
2	357131X1	2	Nut	
3	794539M1	1	Swivel	
4	354946X1	2	Ring	
5	794540M1	1	Spigot	
6	794541M1	2	Nut	
7	19575X	1	Grease Nipple	
14	793857M1	1	Bracket	
15	353567X1	1	Bolt Unf	
16	353432X1	1	Lock Washer	
17	353757X1	1	Washer	
18	353560X1	1	Screw Unf	
19	353432X1	1	Lock Washer	
20	353560X1	1	Screw Unf	
21	353432X1	1	Lock Washer	
22	353757X1	1	Washer	
28	794466M91	1	Lever	
29		1	Lever	(28) Not serviced, order 794466M91
30	832563M1	1	Bearing	(28)
31	240546M91	1	Lever	
32		1	Lever	(31) Not serviced, order 240546M91
33	832563M1	1	Bearing	(31)
34	230630M1	1	Shaft	
35	832106M1	2	Washer	
36	832012M1	X	Shim	
37	354080X1	2	Pin	
43	233964M1	1	Sprocket	
44	353478X1	1	Groove Pin	
45	1855454M91	1	Chain	(A)
46	243346M1	1	Roller	
47	353568X1	1	Bolt Unf	
48	353757X1	1	Washer	
49	353432X1	1	Lock Washer	
50	353426X1	1	Nut Unf	
56	233967M91	1	Crank	
57	1855030M1	1	Decal	
58	360358X1	2	Screw	
59	353516X1	1	Screw Unf	
60	353446X1	1	Lock Washer	
61	233971M1	1	Sprocket	
62	353478X1	1	Groove Pin	
63	230607M1	1	Shaft	
64	2951X	1	Key	
65	222563M1	1	Washer	
66	354061X1	1	Pin	
71	1855431M91	1	Support	(B) Up to Serial or Engine Number 493
71	1855609M91	1	Support	(E) From Serial or Engine Number 493
72	353613X1	1	Screw Unf	
73	353433X1	1	Lock Washer	
74	353427X1	1	Nut Unf	
75	230357M1	X	Shim	
76	353700X1	2	Screw Unc	
77	353432X1	2	Lock Washer	
83	793948M1	1	Nut	
84	793947M1	1	Washer	
85	787414M92	1	Kit	
86	789990M91	1	Pipe	(C) Up to Serial or Engine Number 493
86	1855614M91	1	Pipe	(E) From Serial or Engine Number 493 Up to Serial or Engine Number 2017 From Serial or Engine Number 2017
86	1615673M93	1	Pipe	
87	377297X1	1	Key	
88	832744M1	1	Bearing	
89	356000X1	1	Ring	
90	1615820M1	-	Spacer	

**MAIN COUNTERSHAFT**

<b>Item</b>	<b>Part Number</b>	<b>Qty</b>	<b>Description</b>	<b>Comments</b>
91	789997M1	1	Pulley	
92	230378M1	1	Washer	
93	832452M1	1	Nut	
94	MP 1059	1	Lubricator	
95	375456X1	1	Key	
96	353561X1	6	Screw Unf	
97	353432X1	6	Lock Washer	
103	1855628M91	1	Kit	
104	1855609M91	1	Support	
105	230360M1	1	Plate	
106	376346X1	2	Screw Unc	

(A)  
FOR SERVICE BREAKDOWN REFER TO CHAIN SECTION

(B)  
NO LONGER SERVICED ORDER REPAIR KIT 1855628M91

(C)  
NO LONGER SERVICED ORDER REPAIR KIT 1855626M91

(D)  
INCLUDES ITEMS MARKED (E)

(E)  
INCLUDED IN REPAIR KIT 1855626M91

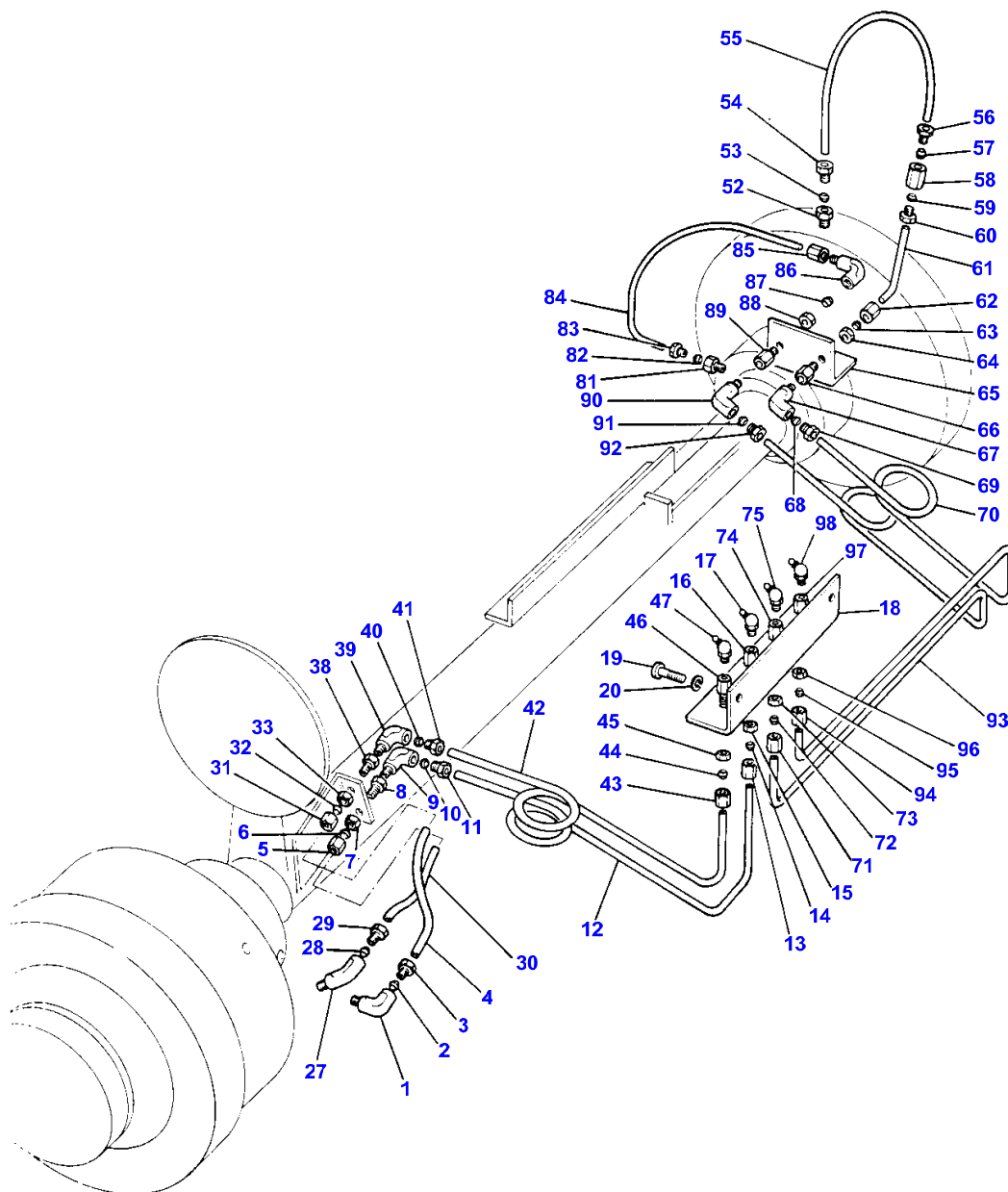
434

MAIN COUNTERSHAFT  
ARBRE PRINCIPAL  
VORGELEGEWELLE  
ALBERO PRINCIPALE  
CONTRAEJE PRINCIPAL

LUBRICATION  
TUBES D HUILE  
OELROHR  
LUBRIFICAZIONE  
TUBO DE HUILO

24223001

3-2422-001-A



PRINTED IN U.K.

520 525

819611-H (1)

Item	Part Number	Qty	Description
1	376792X1	1	Adaptor
2	376796X1	1	Olive
3	376797X1	1	Nut
4	895718M1	1	Tube
5	376794X1	1	Nut
6	376796X1	1	Olive
7	376793X1	1	Nut Bsp
8	376790X1	1	Adaptor
9	376792X1	1	Adaptor
10	376796X1	1	Olive
11	376797X1	1	Nut
12	783675M1	1	Tube
13	376794X1	1	Nut
14	376796X1	1	Olive
15	376793X1	1	Nut Bsp
16	376790X1	1	Adaptor
17	19575X	1	Grease Nipple
18	794551M1	1	Bracket
19	353517X1	2	Screw Unf
20	353446X1	2	Lock Washer
27	376792X1	1	Adaptor
28	376796X1	1	Olive
29	376797X1	1	Nut
30	895715M1	1	Tube
31	376794X1	1	Nut
32	376796X1	1	Olive
33	376793X1	1	Nut Bsp
38	376790X1	1	Adaptor
39	376792X1	1	Adaptor
40	376796X1	1	Olive
41	376797X1	1	Nut
42	783676M1	1	Tube
43	376794X1	1	Nut
44	376796X1	1	Olive
45	376793X1	1	Nut Bsp
46	376790X1	1	Adaptor
47	19575X	1	Grease Nipple
52	376795X1	1	Adaptor
53	376796X1	1	Olive
54	376797X1	1	Nut
55	895713M1	1	Tube
56	376797X1	1	Nut
57	376796X1	1	Olive
58	376791X1	1	Connection
59	376796X1	1	Olive
60	376797X1	1	Nut
61	794552M1	1	Tube
62	376794X1	1	Nut
63	376796X1	1	Olive
64	376793X1	1	Nut Bsp
65	794536M1	1	Bracket
66	376790X1	1	Adaptor
67	376792X1	1	Adaptor
68	376796X1	1	Olive
69	376797X1	1	Nut
70	783672M1	1	Tube
71	376794X1	1	Nut
72	376796X1	1	Olive
73	376793X1	1	Nut Bsp
74	376790X1	1	Adaptor
75	19575X	1	Grease Nipple
81	376795X1	1	Adaptor
82	376796X1	1	Olive
83	376797X1	1	Nut
84	895715M1	1	Tube
85	376794X1	1	Nut
86	376792X1	1	Adaptor
87	376796X1	1	Olive
88	376793X1	1	Nut Bsp
89	376790X1	1	Adaptor

**MASSEY FERGUSON****MF 520/525 COMBINES - 819611****819611****MAIN COUNTERSHAFT LUBRICATION****434**

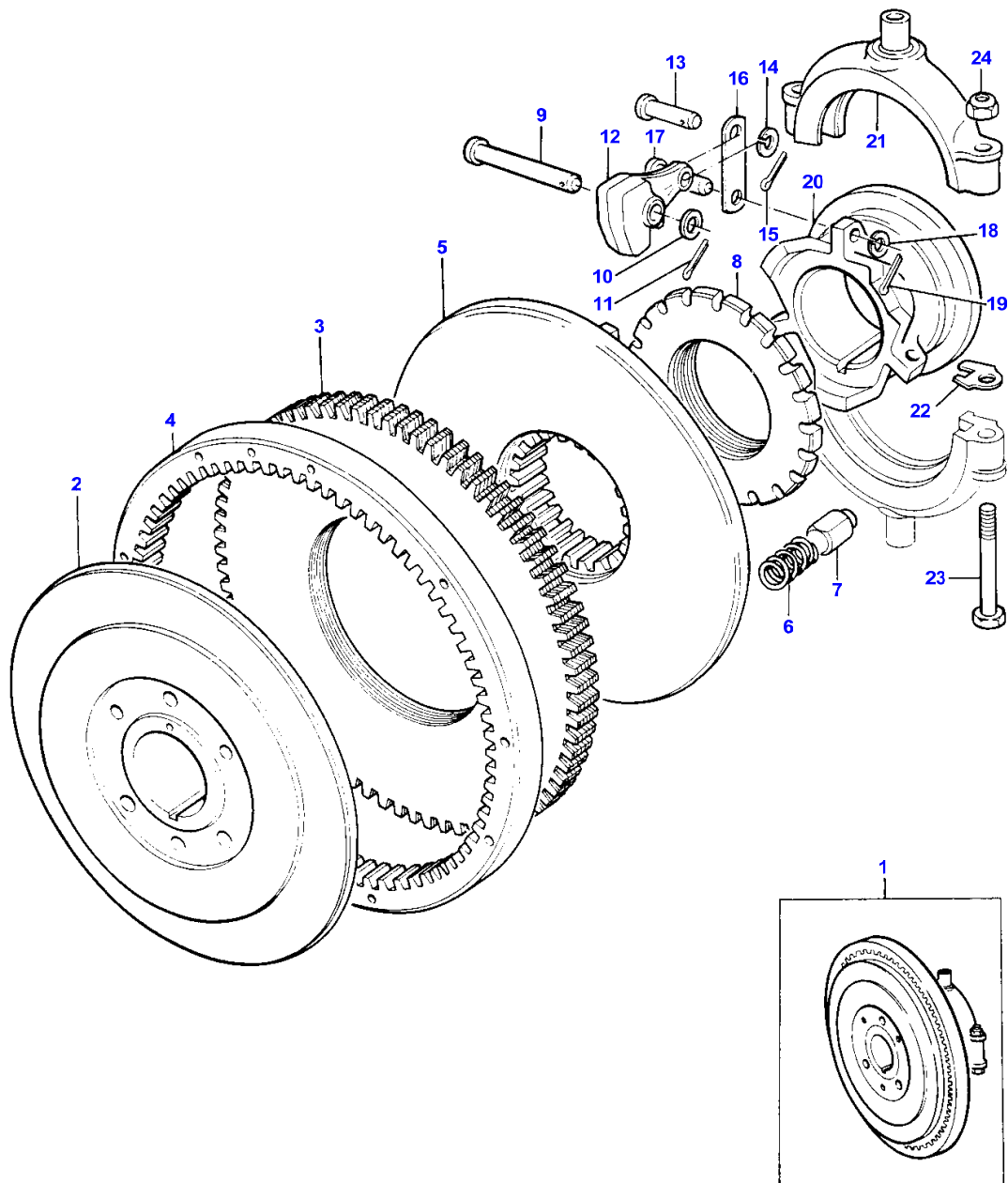
<b>Item</b>	<b>Part Number</b>	<b>Qty</b>	<b>Description</b>
90	376792X1	1	Adaptor
91	376796X1	1	Olive
92	376797X1	1	Nut
93	783670M1	1	Tube
94	376794X1	1	Nut
95	376796X1	1	Olive
96	376793X1	1	Nut Bsp
97	376790X1	1	Adaptor
98	19575X	1	Grease Nipple

438

SEPARATOR CLUTCH  
 EMBRAYAGE DE BATTAGE  
 DRESCHANTRIEBSKUPPLUNG  
 FRIZIONE SEPARATRICE  
 SEPARADOR EMBRAGUE

24303001

3-2430-001-A



PRINTED IN U.K.

520 525

819611-H (1)

SEPARATOR CLUTCH

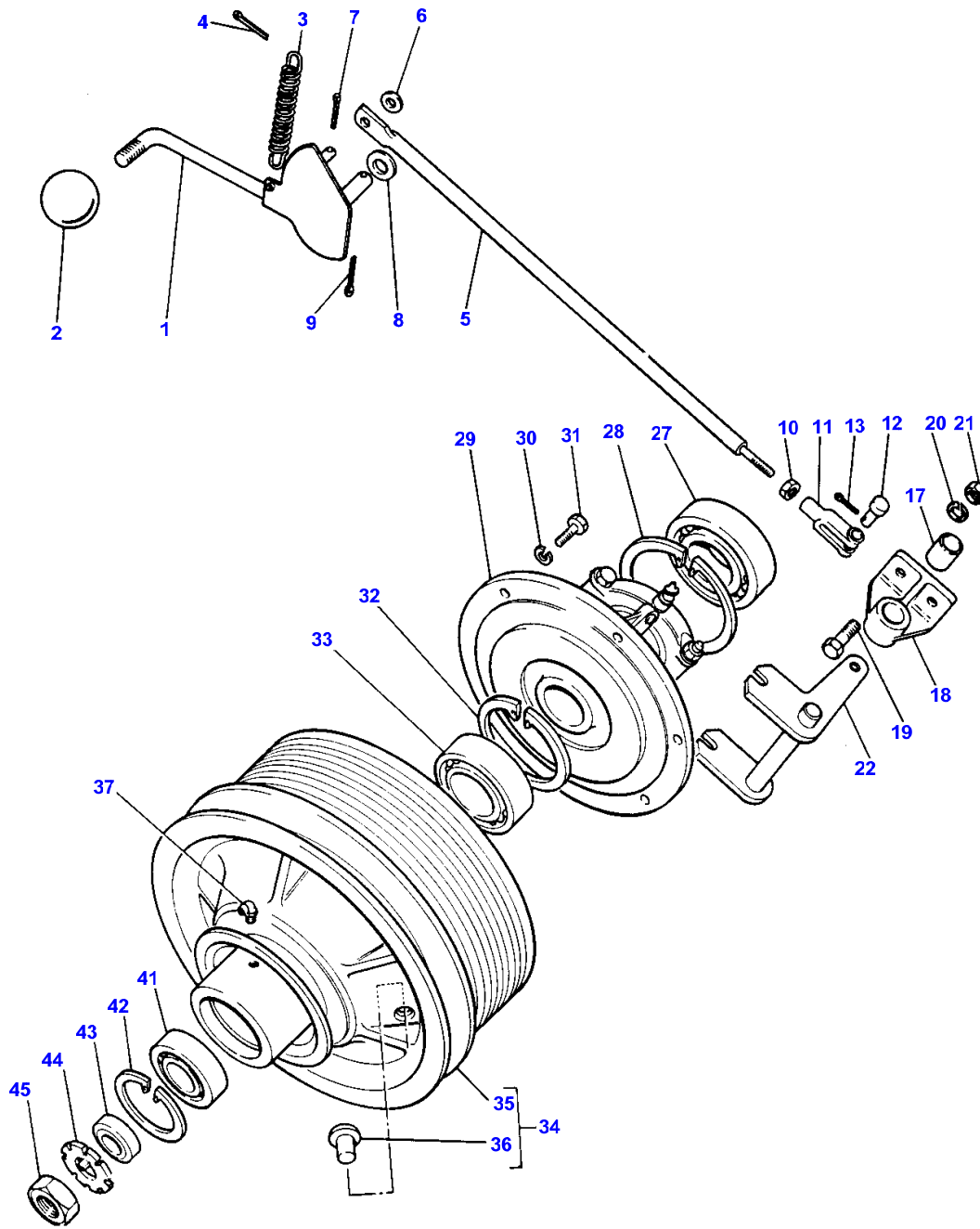
Item	Part Number	Qty	Description	Comments
1	788046M93	1	Clutch	
2	788044M1	1	Hub	(1)
3	1026555M1	1	Plate	(1)
4	788043M1	1	Ring	(1)
5	788045M1	1	Plate	(1)
6	788034M1	1	Spring	(1)
7	788035M1	1	Pin	(1)
8	788039M1	1	Ring	(1)
9	832053M1	3	Pin	(1)
10	353756X1	3	Washer	(1)
11	354046X1	3	Pin	(1)
12	788041M1	3	Lever	(1)
13	195236M1	3	Pin	(1)
14	788033M1	3	Washer	(1)
15	354055X1	3	Pin	(1)
16	788036M1	3	Link	(1)
17	195236M1	3	Pin	(1)
18	788033M1	3	Washer	(1)
19	354055X1	3	Pin	(1)
20	788040M1	1	Coupling	(1)
21	788038M1	1	Collar	(1)
22	783871M1	2	Shim	(1)
23	353548X1	2	Bolt Unf	(1)
24	376448X1	2	Nut Unf	(1)

440

SEPARATOR CLUTCH LINKAGE  
 COMMANDE D EMBRAYAGE DE BATTAGE  
 GESTANGE DRESCH ANTRIEBSKUPPLUNG  
 LEVERISMI SEPARATORI  
 CONTROL DE MANDO DEL EMBRAQUE DEL SEPARADOR

24313001

3-2431-001-B



PRINTED IN U.K.

520 525

819611-H (1)



SEPARATOR CLUTCH LINKAGE

Item	Part Number	Qty	Description	Comments
1	782759M91	1	Lever	
2	787091M1	1	Knob	
3	230377M1	1	Spring	
4	354057X1	1	Pin	
5	782772M1	1	Rod	
6	353757X1	1	Washer	
7	354048X1	1	Pin	
8	353760X1	1	Flat Washers	
9	354066X1	1	Pin	
10	375110X1	1	Nut Unc	
11	210880M1	1	Arm	
12	354190X1	1	Pin	
13	354048X1	1	Pin	
17	1616997M1	2	Bearing	
18	1616996M1	2	Bearing	
19	353521X1	4	Bolt Unf	
20	353446X1	4	Lock Washer	
21	353916X1	4	Nut Unf	
22	1855755M91	1	Shaft	
27	832744M1		Bearing	
28	356000X1	1	Ring	
29	788046M93	1	Clutch	
30	353446X1	9	Lock Washer	
31	353683X1	9	Bolt Unc	
32	355994X1	1	Ring	
33	896092M1	1	Bearing	
34	793945M92	1	Pulley	
35		1	Pulley	(34) Not serviced, order 793 945 M92
36	203381M1	1	Rivet	(34)
	203382M1	1	Rivet	(34)
	203383M1	1	Rivet	(34)
	203384M1	1	Rivet	(34)
	203417M1	1	Rivet	(34)
	1615830M1	1	Rivet	(34)
	1615831M1	1	Rivet	(34)
37	MP 1059	1	Lubricator	
41	353105X1	1	Bearing Ball	
42	352433X1	1	Circlip	
43	230361M1	1	Spacer	
44	228660M1	1	Washer	
45	353920X1	1	Nut Unf	

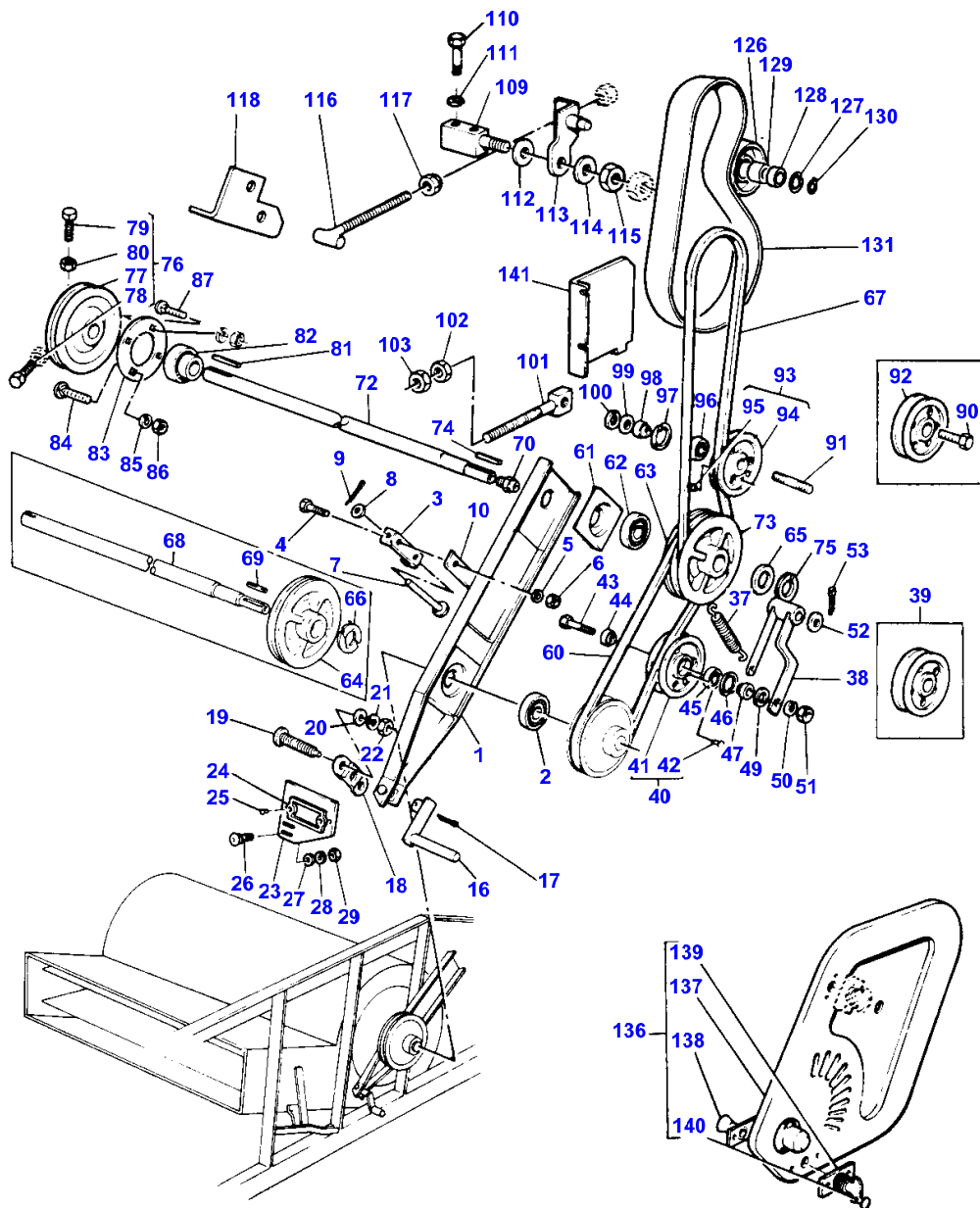
442

DRIVES ARRANGEMNT  
TRANSMISSION DROIT  
VORGELGEWELLE  
ACCESSORIO TRASMISSIONI  
MANDOS DEL LD

RH AND SECONDARY COUNTERSHAFT  
ARBRE SECONDAIRE  
ANTRIEBE RECHT SEITE  
CONTRALBERO DESTRO E SECONDARIO  
CONTRAEJE SECUNDARIO

20773001

3-2077-001-A



PRINTED IN U.K.

520 525

819611-H (1)

DRIVES ARRANGEMENT RH AND SECONDARY COUNTERSHAFT

Item	Part Number	Qty	Description	Comments
1	227966M92	1	Channel	
2	831134M1	1	Bearing	
3	227970M1	1	Bracket	
4	353792X1	2	Bolt Unf	
5	353446X1	2	Lock Washer	
6	353916X1	2	Nut Unf	
7	195409M1	1	Pin	
8	353758X1	1	Washer	
9	354066X1	1	Pin	
10	792456M1	X	Shim	
16	227973M91	1	Crank	
17	195479M1	1	Roll Pin	
18	227977M1	1	Bracket	
19	227972M1	1	Bolt	
20	353755X1	2	Washer	
21	353446X1	2	Lock Washer	
22	353916X1	2	Nut Unf	
23	228742M2	1	Bracket	
24	794461M1	1	Plate	
25	360358X1	2	Screw	
26	354241X1	2	Bolt Unf	
27	353754X1	2	Washer	
28	353441X1	2	Lock Washer	
29	353918X1	2	Nut Unf	
37	227971M1	1	Spring	
38	789474M92	1	Arm	
39	789472M1	1	Pulley	Up to Serial or Engine Number 658
40	617746M91	1	Pulley	From Serial or Engine Number 658
41		1	Pulley	(40) Not serviced, order 617 746 M91
42	203417M1	X	Rivet	(40) 5/16"/ 7.9MM.
42	203381M1	X	Rivet	(40) 3/8" / 9.5MM.
42	203382M1	X	Rivet	(40) 7/16"/11.1MM.
42	203383M1	X	Rivet	(40) 1/2" /12.7MM.
42	203384M1	X	Rivet	(40) 9/16"/14.3MM.
43	353621X1	1	Bolt Unf	
44	795185M1	1	Spacer	From Serial or Engine Number 658
45	339581X1	1	Bearing Ball	From Serial or Engine Number 658
46	208230M1	1	Ring	From Serial or Engine Number 658
47	795185M1	1	Spacer	From Serial or Engine Number 658
48	355623X1	1	Washer	
49	353760X1	1	Flat Washers	
50	353433X1	1	Lock Washer	
51	353429X1	1	Nut Unf	
52	353762X1	1	Washer	
53	354068X1	1	Pin	
60	784797M2	1	Belt	(E)
	1616477M1	1	Belt	(F)
61	227965M1	1	Block	
62	831134M1	1	Bearing	
63	788648M1	1	Pulley	
64	788647M1	1	Pulley	(C) Up to Serial or Engine Number 1899
65	832406M1	1	Washer	Up to Serial or Engine Number 1899
66	355803X1	1	Ring	Up to Serial or Engine Number 1899
67	785585M3	1	Belt	
68	788328M2	1	Shaft	(C) Up to Serial or Engine Number 1899
69	788330M1	1	Key Door	Up to Serial or Engine Number 1899
70	MP 1056	1	Grease Nipple	
71	1615825M91	1	Kit	Up to Serial or Engine Number 1899
72	914722M2	1	Shaft	(71) Up to Serial or Engine Number 1899
73	914721M1	1	Pulley	(71) Up to Serial or Engine Number 1899

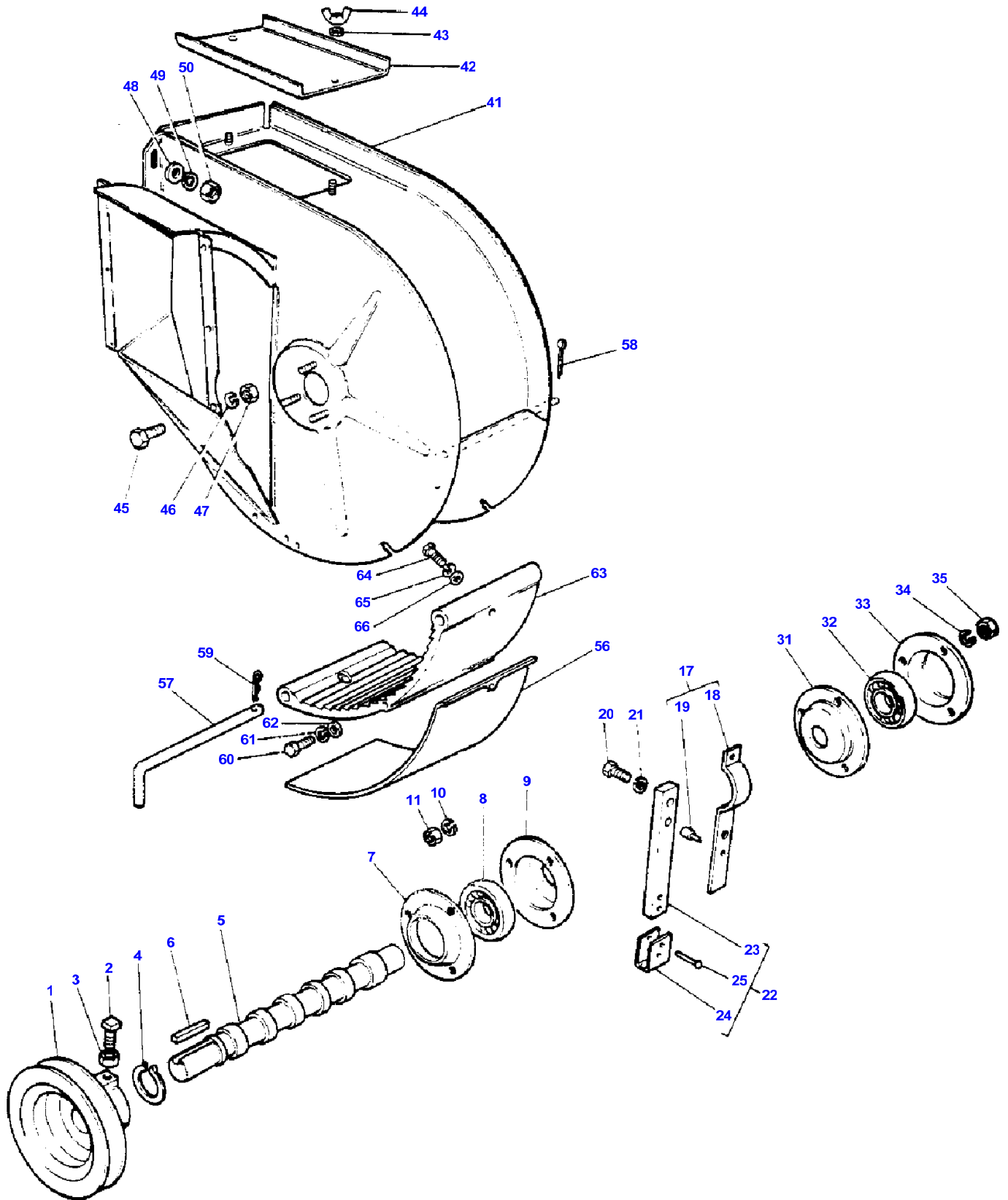
DRIVES ARRANGEMENT RH AND SECONDARY COUNTERSHAFT

Item	Part Number	Qty	Description	Comments
74	338974X1	1	Key	(71) Up to Serial or Engine Number 1899
75	358958X1	1	Circlip	(71) Up to Serial or Engine Number 1899
76	230282M91	1	Pulley	
77		1	Pulley	(76) Not serviced, order 230 282 M91
78	355209X1	1	Screw Unc	(76)
79	353747X1	1	Screw Unc	(76)
80	375110X1	2	Nut Unc	(76)
81	MP 1381	1	Key Door	
82	831778M1	2	Bearing	
83	22520X	2	Flange	
84	359985X1	6	Bolt Unf	
85	353439X1	8	Lock Washer	
86	353437X1	2	Nut Unf	
87	353855X1	2	Bolt Unf	
90	353623X1	1	Bolt Unf	Up to Serial or Engine Number 658
91	795549M1	1	Trunnion	From Serial or Engine Number 658
92	789472M1	1	Pulley	Up to Serial or Engine Number 658
93	617746M91	1	Pulley	From Serial or Engine Number 658
94		1	Pulley	(93) Not serviced, order 617 746 M91
95	203417M1	X	Rivet	(93) 5/16"/ 7.9MM.
95	203381M1	X	Rivet	(93) 3/8" /9.5MM.
95	203382M1	X	Rivet	(93) 7/16"/11.1MM.
95	203383M1	X	Rivet	(93) 1/2" /12.7MM.
95	203384M1	X	Rivet	(93) 9/16"/14.3MM.
96	339581X1	1	Bearing Ball	From Serial or Engine Number 658
97	208230M1	1	Ring	From Serial or Engine Number 658
98	789857M1	1	Spacer	Up to Serial or Engine Number 658
98	60039M1	1	Spacer	From Serial or Engine Number 658
99	353760X1	2	Flat Washers	
100	353433X1	1	Lock Washer	
101	240460M91	1	Screw	
102	375098X1	1	Nut Unc	
102	375111X1	1	Nut Unc	
109	789976M1	1	Shaft	
110	353572X1	2	Bolt Unf	
111	353432X1	2	Lock Washer	
112	363364X1	X	Washer	
113	789971M91	1	Arm	Up to Serial or Engine Number 3059
113	1615701M91	1	Arm	(A) From Serial or Engine Number 3059
114	353776X1	1	Washer	
115	353921X1	2	Nut Unf	
116	789973M91	1	Rod	
117	831850M1	2	Nut	
118	912670M1	1	Bracket	
126	783113M91	1	Pulley	(D) Up to Serial or Engine Number 3059
126	1615699M91	1	Pulley	(A) From Serial or Engine Number 3059
127	353231X1	1	Circlip	(B)
128	1440487X1	1	Bearing Assy	(B)
129	1615703M1	1	Spacer	(A) From Serial or Engine Number 3059
130	353229X1	1	Ring	
131	789967M1	1	Belt	
136	784661M92	1	Guard	(G,H)
137		1	Guard	(136) Not serviced, order 784 661 M92
138	792703M91	2	Plate	(136)
139	792704M91	2	Fastener	(136)
140	14636X	4	Rivet	(136)

DRIVES ARRANGEMENT RH AND SECONDARY COUNTERSHAFT

Item	Part Number	Qty	Description	Comments
141	784151M91	1	Guard	Up to Serial or Engine Number 3059  (A) SUPPLIED WITH INJECTION PUMP  (B) INCLUDES ITEMS MARKED (A)  (C) NO LONGER SERVICED ORDER 1615 825 M91  (D) NO LONGER SERVICED ORDER 1615 809 M91  (E) LOW SPEED  (F) HIGH SPEED  (G) UP TO SERIAL NUMBER 6463 GERMANY ONLY  (H) FROM SERIAL NUMBER 6463 GERMANY ONLY USE-1855 252 M92

3-3301-001-A



SLINGER HOUSING

Item	Part Number	Qty	Description	Comments
1	795920M1	1	Pulley	
2	353747X1	2	Screw Unc	
3	375110X1	2	Nut Unc	
4	850643M1	1	Ring	
5	795472M1	1	Shaft	
6	MP 1342	1	Key	
7	22286X	1	Flange	
8	831112M1	1	Bearing	
9	795473M1	1	Flange	
10	353446X1	3	Lock Washer	
11	353916X1	3	Nut Unf	
17	795459M91	10	Finger	
18		1	Finger	(17) Not serviced, order 795 459 M91
19	793209M1	1	Pin	(17)
20	353521X1	10	Bolt Unf	
21	353446X1	10	Lock Washer	
22	793212M92	10	Finger	
23		1	Extension	(22) Not serviced, order 793 212 M92
24	796535M1	1	Tip	(22)
25	19851X	2	Rivet	(22)
31	795473M1	1	Flange	
32	353249X1	1	Bearing	
33	22286X	1	Flange	
34	353446X1	3	Lock Washer	
35	353916X1	3	Nut Unf	
41	789311M91	1	Housing	
42	788500M1	1	Cover	
43	353754X1	2	Washer	
44	355582X1	2	Nut Unf	
45	353516X1	6	Screw Unf	
46	353446X1	6	Lock Washer	
47	353916X1	6	Nut Unf	
48	353755X1	4	Washer	
49	353446X1	4	Lock Washer	
50	353916X1	4	Nut Unf	
56	795580M91	1	Cover	
57	795453M1	2	Pin	
58	354057X1	1	Pin	
59	195416M1	1	Pin	
60	353676X1	2	Screw Unc	
61	353446X1	2	Lock Washer	
62	355618X1	2	Washer	
63	795481M1	1	Concave	
64	353502X1	2	Screw Unf	
65	353441X1	2	Lock Washer	
66	353754X1	2	Washer	

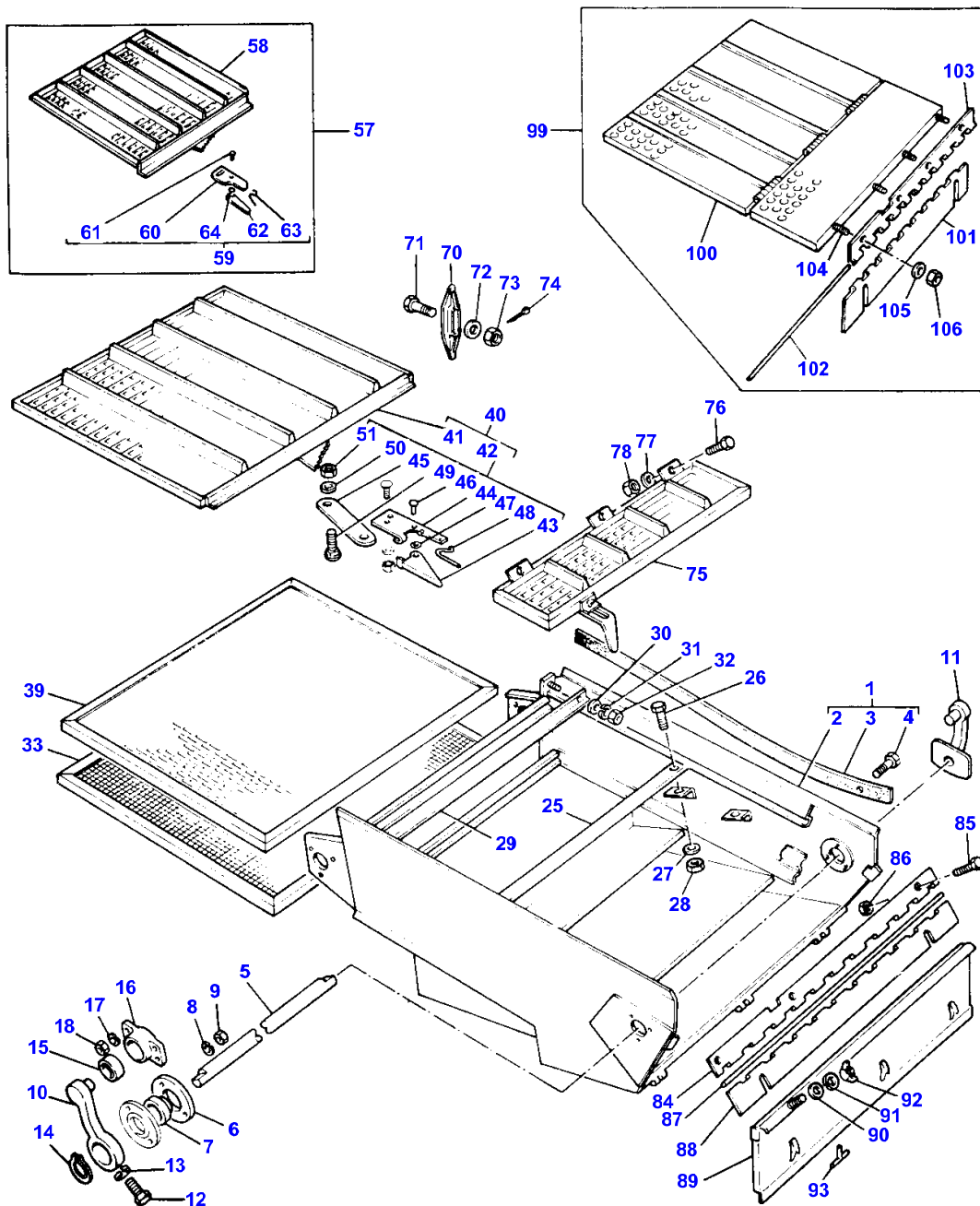
452

SHAKER SHOE  
 COFFRE DE NETTOYAGE  
 ZWEISTUFENREINIGUNG  
 CASSETTA PULIMENTO  
 CAJA DE ZARANDAS

DOUBLE  
 DOUBLE  
 DOPPEL  
 DOPPIA  
 DOBLE

25283001

3-2526-001-A



PRINTED IN U.K.

520 525

819611-H (1)



SHAKER SHOE-DOUBLE

Item	Part Number	Qty	Description	Comments
1	789288M93	1	Shoe	
2		1	Shoe	(1) Not serviced, order 789 288 M93
3	791159M1	2	Strip	(1)
4	49189X	20	Rivet	(1)
5	226775M1	1	Shaft	
6	22286X	4	Flange	
7	22285X	2	Bearing	
8	353446X1	6	Lock Washer	
9	353916X1	6	Nut Unf	
10	229340M1	1	Arm	
11	794366M92	1	Arm	
12	354140X1	2	Screw Unc	
13	375110X1	2	Nut Unc	
14	352980X1	2	Ring	
15	350396X1	2	Bearing	
16	226765M1	2	Housing	
17	353446X1	8	Lock Washer	
18	353916X1	8	Nut Unf	
25	243040M1	2	Deflector	
26	353515X1	4	Screw Unf	
27	353446X1	4	Lock Washer	
28	353916X1	4	Nut Unf	
29	791471M1	1	Strip	
30	353755X1	2	Washer	
31	353446X1	2	Lock Washer	
32	353916X1	2	Nut Unf	
33	234215M91	X	Screen	1/16"/1.6MM.
	234216M91	X	Screen	3/32"/2.4MM.
	234217M91	X	Screen	7/64"/2.8MM.
	234218M91	X	Screen	1/8" /3.2MM.
	234219M91	X	Screen	5/32"/4.0MM.
	234220M91	X	Chaffer	3/16"/4.7MM.
	234221M91	X	Screen	1/4" /6.3MM.
	234222M91	X	Screen	5/16"/7.9MM.
	234223M91	X	Screen	3/8" /9.5MM.
	234224M91	X	Screen	7/16"/11.1MM.
	234225M91	X	Screen	1/2" /12.7MM.
	234226M91	X	Screen	5/8" /15.8MM.
	617699M92	X	Grille	(D,F) 5/8" / 15.8MM.
33	792000M93	X	Sieve	(A)
39	234227M91	X	Screen	1/16" X 3/8" 1.6MM X 9.5MM
39	234228M91	X	Screen	5/32" X 5/8" 4.0MM X 15.8MM
39	234229M91	X	Screen	3/16" X 3/4" 4.7MM X 19MM
40	790504M93	1	Chaffer	(B) Top
40	793252M92	1	Chaffer	(B) Top
41		1	Chaffer	(40) Not serviced, order 790 504 M91 /793 252 M92
42	791404M91	1	Lever	(40)
43	791402M91	1	Lever	(42)
44	791403M91	1	Handle	(42)
45	791407M1	1	Link	(42)
46	13277X	1	Rivet	(42)
47	353753X1	2	Washer	(42)
48	791406M1	1	Spring	(42)
49	353784X1	2	Bolt Unf	(42)
50	353754X1	2	Washer	(42)
51	376446X1	2	Nut Unf	(42)
57	790502M93	1	Chaffer	(C) Top
57	793253M91	1	Chaffer	Top
58		1	Chaffer	(57) Not serviced, order 790 502 M92

SHAKER SHOE-DOUBLE

Item	Part Number	Qty	Description	Comments
				/793 253 M91
59	636978M92	1	Lever	(57)
60	637420M91	1	Handle	(59)
61	13277X	1	Rivet	(59)
62	636980M91	1	Lever	(59)
63	636983M1	1	Spring	(59)
64	353753X1	2	Washer	(59)
70	226760M1	2	Clamp	
71	832298M1	2	Bolt	
72	196107M1	2	Washer	
73	354057X1	2	Pin	
74	353426X1	2	Nut Unf	
75	226757M91	1	Extension	(B)
75	790501M92	1	Extension	(C)
76	355138X1	3	Screw Unc	
77	353754X1	3	Washer	
78	376452X1	3	Locknut	
84	226737M1	1	Plate	
85	376370X1	4	Screw	
86	375276X1	4	Nut Unf	
87	360483X1	1	Rod	
88	226738M1	1	Plate	
89	789252M91	1	Door	
90	355618X1	2	Washer	
91	353446X1	2	Lock Washer	
92	355583X1	2	Nut Unf	
93	230882M91	2	Latch	
99	1828230M91	1	Sieve	(D,E)
100		1	Chaffer	(99)
				Not serviced, order 1828 230 M91
101	226738M1	1	Plate	(99)
102	360483X1	1	Rod	(99)
103	226737M1	1	Plate	(99)
104	355124X1	4	Screw Unc	(99)
105	353753X1	4	Washer	(99)
106	354120X1	4	Nut	(99)
				(A) ALTERNATIVE TO SCREENS
				(B) CLOSZ TYPE CHAFFER
				(C) PETERSON TYPE CHAFFER
				(D) MAIZE COMBINE ONLY
				(E) INCLUDED IN KITS 784 966 M92 AND 1855 408 M92
				(F) INCLUDED IN KITS 784 966 M92 AND 1855 409 M92

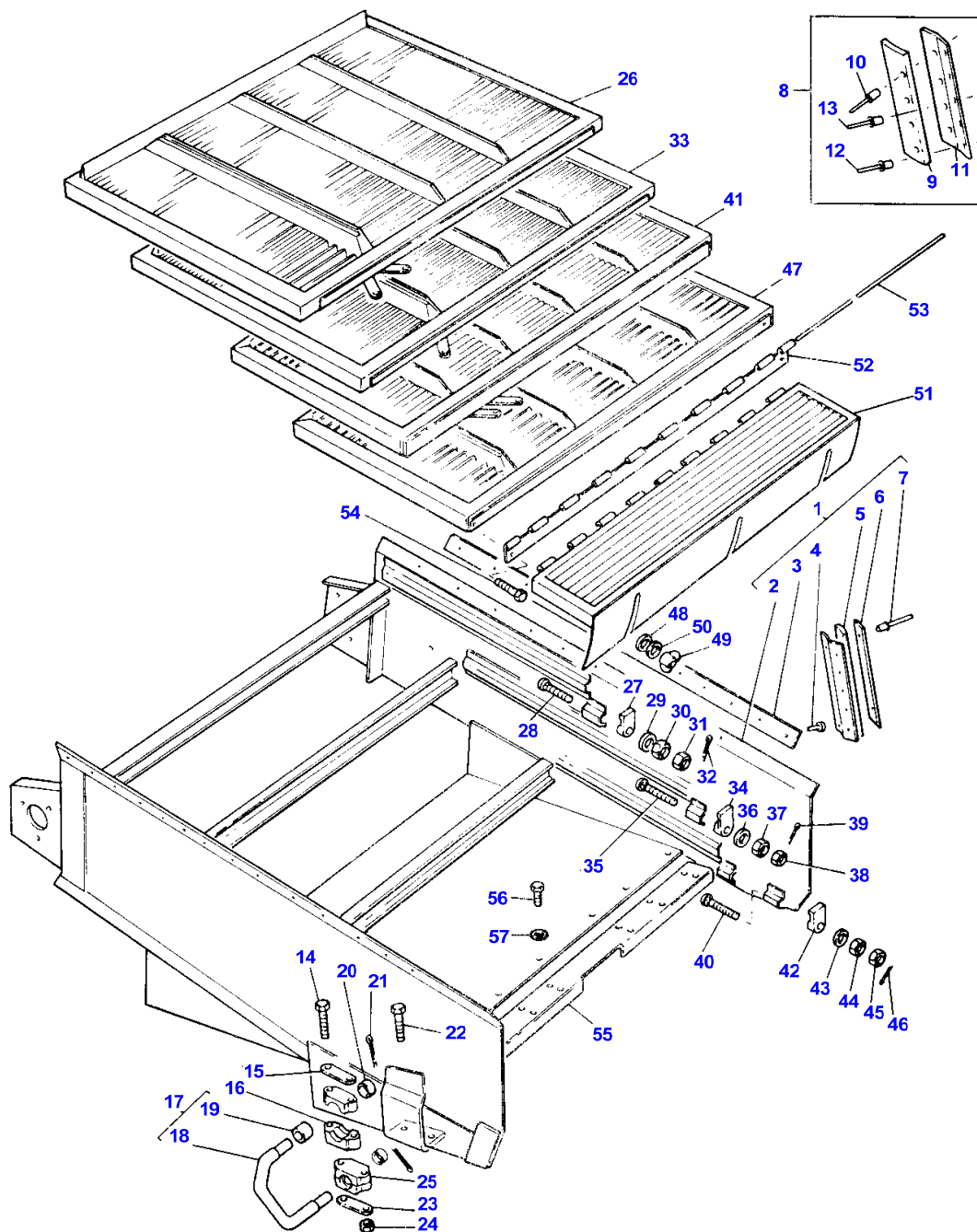
458

SHAKER SHOE  
 COFFRE DE NETTOYAGE  
 DREISTUFENREINIGUNG  
 CASSETTA PULIMENTO  
 CAJA DE ZARANDAS

TRIPLE  
 TRIPLE  
 DREIFACH  
 TRIPLA  
 TRIPLE

25273002

3-2525-002-B



PRINTED IN U.K.

520 525

819611-H (1)

SHAKER SHOE-TRIPLE

Item	Part Number	Qty	Description	Comments
1	617967M96	1	Shoe	
2		1	Shoe	(1) Not serviced, order 617 967 M96
3	250880M1	2	Strip	(1)
4	49189X	34	Rivet	(1)
5	1616894M1	2	Strip	(1)
6	1616895M1	2	Strip	(1)
7	338942X1	8	Rivet	(1)
8	338546X1	2	Rivet	Up to Serial or Engine Number 6472
9	1616893M1	2	Strip	Up to Serial or Engine Number 6472
14	354271X1	4	Bolt Unc	
15	223999M1	2	Strap	
16	204825M1	4	Housing	
17	252261M91	2	Hanger	
18		1	Hanger	(17) Not serviced, order 252 261 M91
19	204824M2	2	Bush	(17)
20	353760X1	2	Flat Washers	
21	354059X1	2	Pin	
22	354271X1	4	Bolt Unc	
23	223999M1	2	Strap	
24	355566X1	4	Nut Unc	
25	204825M1	4	Housing	
26	252270M91	1	Sieve	1 5/8" X 2" 41.2MM.X50.8MM
26	252259M91	1	Sieve	1 1/8" X 2" 28.6MMX50.8MM.
27	252269M2	2	Clamp	
28	784210M1	2	Bolt	
29	353756X1	4	Washer	
30	353431X1	2	Nut Unf	
31	353430X1	2	Nut Unf	
32	354039X1	2	Cotter	
33	226755M91		Sieve	MIDDLE 13/16"-20.7MM.
33	1616805M91	1	Sieve	3.5MM (A) M91 MIDDLE
33	1615033M91	1	Sieve	5MM (A) MIDDLE
33	619762M92	1	Sieve	8MM (A.B) MIDDLE
33	619761M92	1	Sieve	10MM (A.B) MIDDLE
33	1616783M91	1	Sieve	12MM (A) MIDDLE
34	252269M2	2	Clamp	
35	784210M1	2	Bolt	
36	353756X1	4	Washer	
37	353431X1	2	Nut Unf	
38	353430X1	2	Nut Unf	
39	354039X1	2	Cotter	
40	784210M1	2	Bolt	
41	252263M91		Sieve	Bottom CLOSZ
41	1616806M91	1	Sieve	3.5MM (A) Bottom
41	1615034M91	1	Sieve	5MM (A) Bottom
41	619765M91	1	Sieve	8MM (A,B) Bottom
41	619764M91	1	Sieve	10MM (A,B) Bottom
41	1616784M91	1	Sieve	12MM (A.B)
42	252269M2	2	Clamp	
43	353756X1	4	Washer	
44	353431X1	2	Nut Unf	
45	353430X1	2	Nut Unf	
46	354039X1	2	Cotter	
47	1616295M91		Sieve	8MM (A,B) 4TH

SHAKER SHOE-TRIPLE

Item	Part Number	Qty	Description	Comments
47	1616296M91	1	Sieve	10MM (A,B) 4TH
48	353434X1	3	Lock Washer	
49	355584X1	3	Nut Unf	
50	355619X1	3	Washer	
51	1615288M92	1	Extension	(A)
52	619768M3	1	Hinge	(A)
53	619767M1	1	Hinge Rod	(A)
54	353500X1	1	Screw Unf	(A)
55	1616363M2	1	Extension	(A)
56	375398X1	1	Bolt	(A)
57	353441X1	1	Lock Washer	(A)

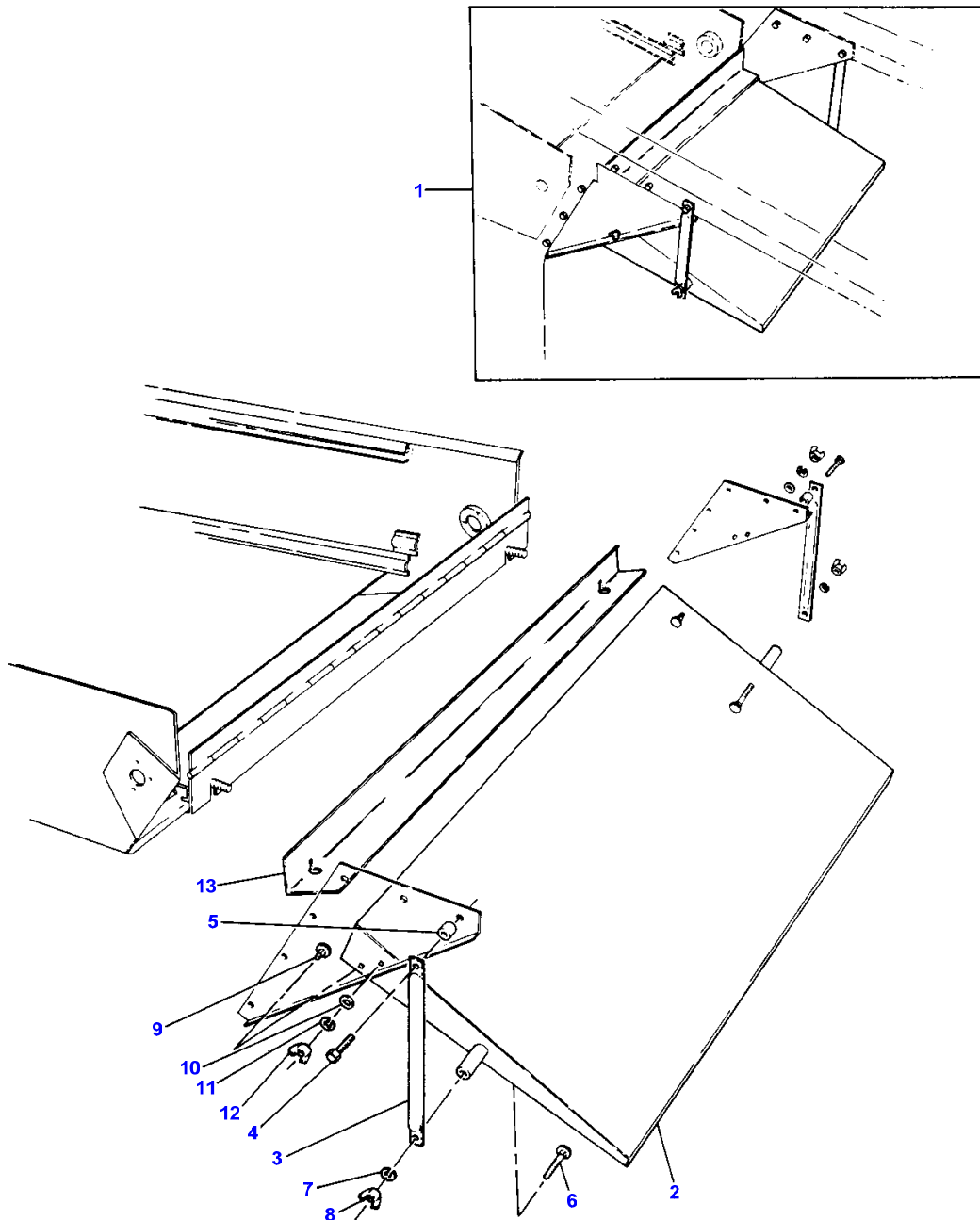
(A)  
VARIABLE SEIVES FOR HEAVY DUTY GRAIN PAN

464

CHAFFING PLATE KIT  
JEU DE PLAQUES D USURE  
SPREUABWEISBLECH  
GRUPPO PIASTRE DI USURA  
JUEGO DE TRAMPILL BALERO

21613001

3-2161-001-A



PRINTED IN U.K.

520 525

819611-M (1)

CHAFFING PLATE KIT

Item	Part Number	Qty	Description	Comments
1	1855757M91	1	Kit	(A)
2	617579M91	1	Deflector	(1)
3	617578M1	2	Tube	(1)
4	353521X1	2	Bolt Unf	(1)
5	1834191M1	2	Spacer	(1)
6	353818X1	2	Bolt Unf	(1)
7	353434X1	2	Lock Washer	(1)
8	355584X1	2	Nut Unf	(1)
9	353807X1	4	Screw Unf	(1)
10	355819X1	4	Washer	(1)
11	353434X1	4	Lock Washer	(1)
12	355584X1	4	Nut Unf	(1)
13	262769M1	1	Bracket	(1)

(A)  
NOT SERVICED ORDER DETAILS

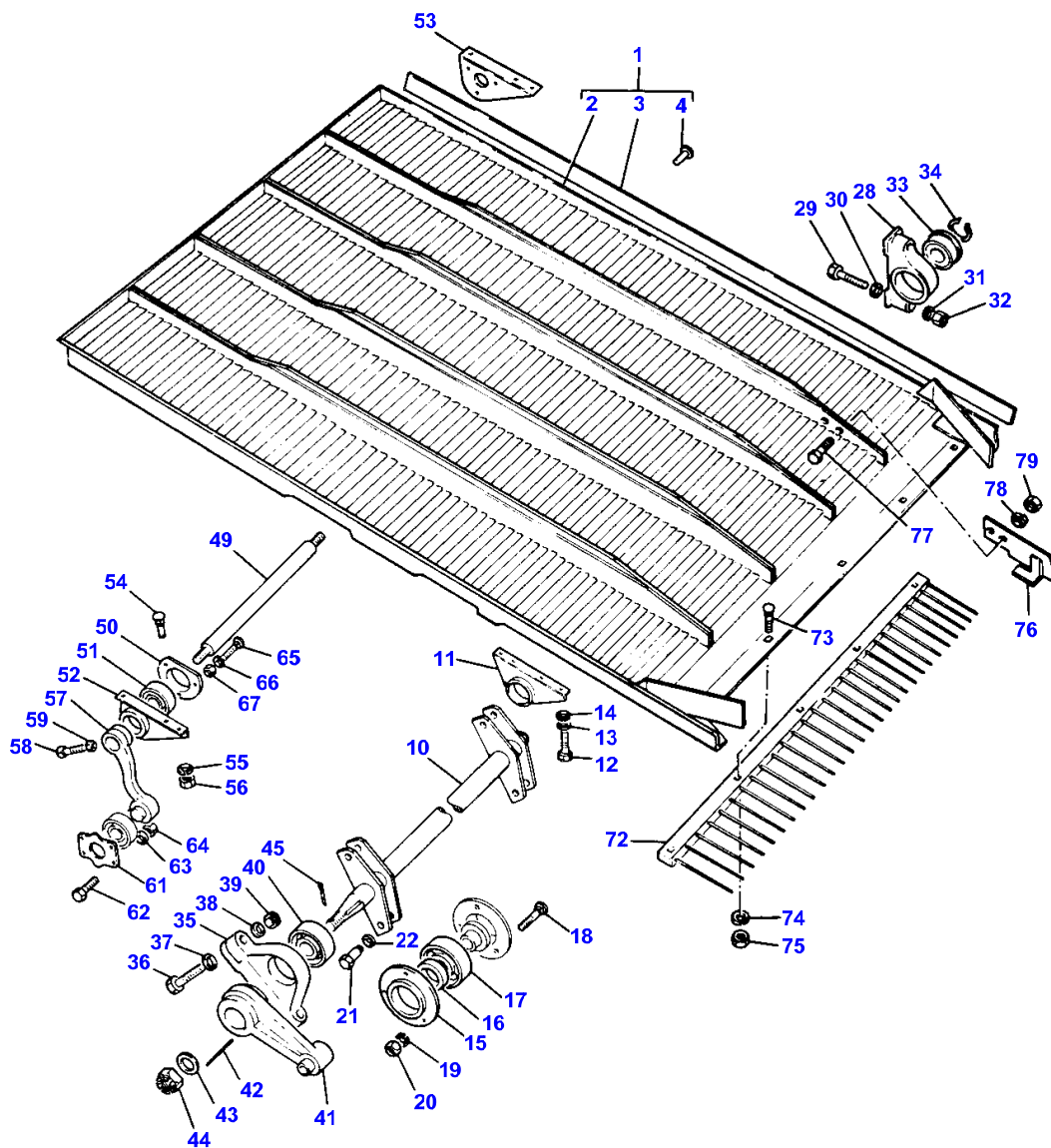
466

GRAIN PAN ARRANGEMENT  
 RECEPTEUR A GRAINS  
 STUFFENBODEN  
 DISPOSITIVO VASCA RACCOGLITRICE GRANO  
 CONJUNTO DE MANDEJA DEL GRANO

NORMAL DUTY  
 NORMAL SEULMENT  
 NORMAL AUSFUEHRUNG  
 TIPO NORMALE  
 SERVICIO PESADO

25583001

3-2556-001-A



PRINTED IN U.K.

520 525

819611-H (1)



GRAIN PAN ARRANGEMENT NORMAL DUTY

Item	Part Number	Qty	Description	Comments
1	782520M94	1	Pan	(A,C)
	782519M94	1	Pan	(B,C)
2		1	Grain Pan	(1) (E)
3	795127M1	2	Strip	(1)
4	377053X1	48	Rivet	(1)
10	1616623M92	1	Shaft	(D) Up to Serial or Engine Number 5866
10	1616623M93	1	Shaft	From Serial or Engine Number 5866
11	226767M1	2	Bracket	
12	353678X1	8	Screw Unc	
13	353755X1	8	Washer	
14	353446X1	8	Lock Washer	
15	22286X	4	Flange	
16	226912M1	8	Bush	
17	831112M1	4	Bearing	
18	353790X1	6	Bolt	
19	22756X	6	Lock Washer	
20	353917X1	6	Nut Unf	
21	226766M1	4	Stud	Up to Serial or Engine Number 5866
	1616771M1	4	Stud	From Serial or Engine Number 5866
22	359406X1	4	Washer	Up to Serial or Engine Number 5866
28	226774M1	1	Support	Up to Serial or Engine Number 717
	617866M1	1	Support	From Serial or Engine Number 717
29	338801X1	2	Bolt	Up to Serial or Engine Number 717
	367950X1	2	Bolt Unf	From Serial or Engine Number 717
30	1615037M1	2	Washer	Up to Serial or Engine Number 717
	617869M1	2	Washer	From Serial or Engine Number 717
31	338802X1	2	Washer	Up to Serial or Engine Number 717
	338690X1	2	Washer	From Serial or Engine Number 717
32	338600X1	2	Nut Unf	Up to Serial or Engine Number 717
	366092X1	2	Nut Unf	From Serial or Engine Number 717
33	831087M1	1	Bearing	
34	208221M1	1	Ring	
35	226768M1	1	Support	Up to Serial or Engine Number 717
	617867M1	1	Support	From Serial or Engine Number 717
36	338801X1	2	Bolt	Up to Serial or Engine Number 717
	367950X1	2	Bolt Unf	From Serial or Engine Number 717
37	1615037M1	2	Washer	Up to Serial or Engine Number 717
	617869M1	2	Washer	From Serial or Engine Number 717
38	338802X1	2	Washer	Up to Serial or Engine Number 717
	338690X1	2	Washer	From Serial or Engine Number 717
39	338600X1	2	Nut Unf	Up to Serial or Engine Number 717
	366092X1	2	Nut Unf	From Serial or Engine Number 717
40	832087M1	1	Bearing	
41	788019M1	1	Crank	
42	352958X1	1	Key Parallel	
43	338972X1	1	Washer	
44	637036M2	1	Nut	
45	375090X1	1	Pin	
49	226763M1	1	Shaft	
50	831164M1	2	Flange	
51	353152X1	2	Bearing	
52	910777M1	1	Plate	
53	910776M1	1	Plate	
54	353791X1	6	Bolt Unf	
55	353446X1	6	Lock Washer	
56	353916X1	6	Nut Unf	
57	226762M2	2	Arm	
58	355208X1	2	Screw Unc	
59	375110X1	2	Nut Unc	
60	350396X1	2	Bearing	
61	226765M1	2	Housing	
62	353520X1	8	Bolt Unf	
63	353446X1	8	Lock Washer	
64	353916X1	8	Nut Unf	
65	359998X1	6	Bolt Unf	
66	353446X1	6	Lock Washer	
67	353916X1	6	Nut Unf	
72	1616790M91	1	Screen	

**GRAIN PAN ARRANGEMENT NORMAL DUTY**

<b>Item</b>	<b>Part Number</b>	<b>Qty</b>	<b>Description</b>	<b>Comments</b>
73	353791X1	7	Bolt Unf	
73	353792X1	7	Bolt Unf	(A)
74	353446X1	7	Lock Washer	
75	353916X1	7	Nut Unf	
76	1855806M91	4	Extension	(A)
77	353501X1	8	Screw Unf	(A)
78	353441X1	8	Lock Washer	(A)
79	353918X1	8	Nut Unf	(A)

(A)

TRIPLE SHAKER SHOE ONLY

(B)

DOUBLE SHAKER SHOE ONLY

(C)

NO LONGER SERVICED ORDER KIT 1615964M91 WITH 18557 83M96

(D)

NO LONGER SERVICED USE 1616623M93 WITH 4 OFF 16167 71M1

(E)

ORDER ASSEMBLY

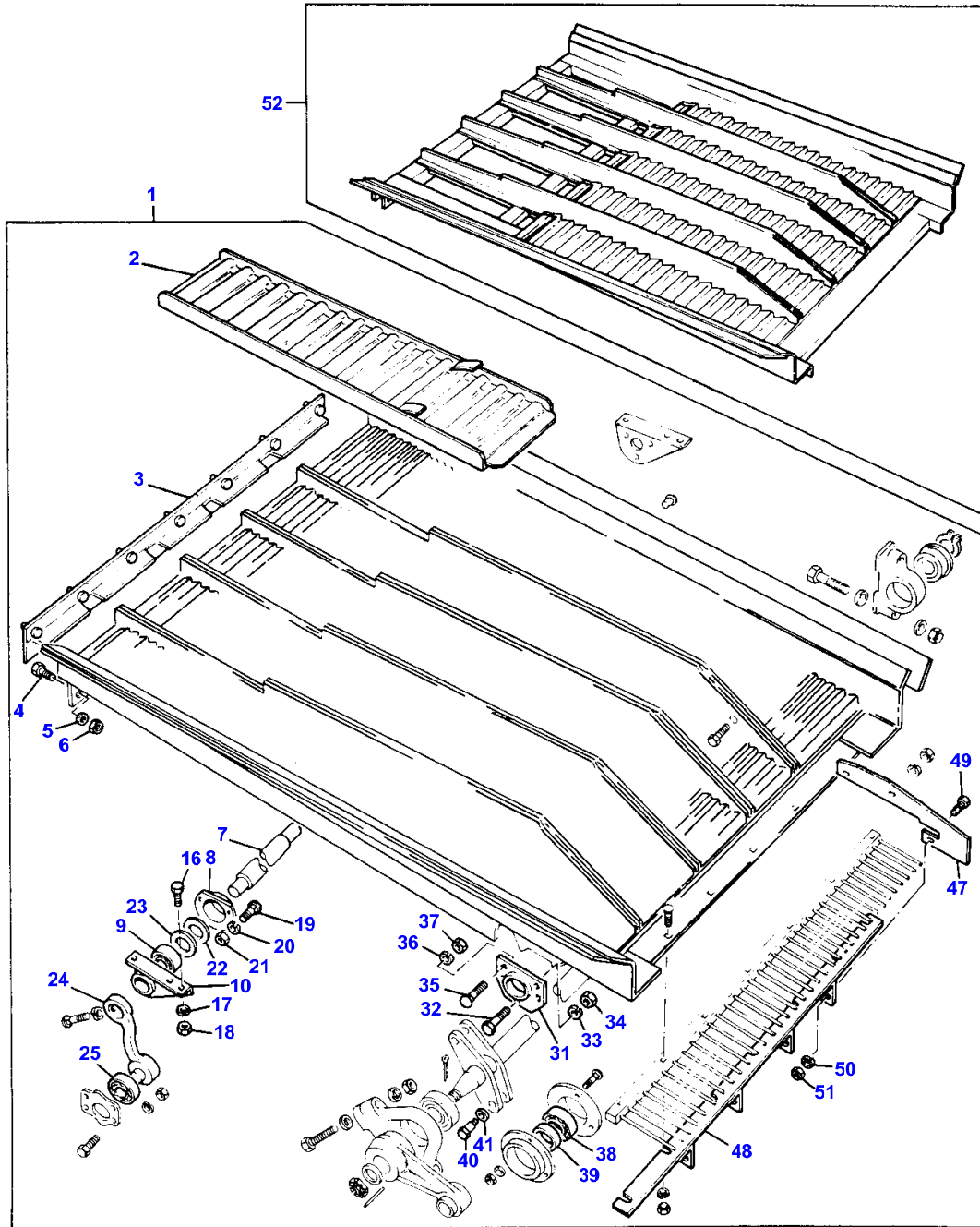
470

GRAIN PAN ARRANGEMENT  
 JEU DE CONVERSION RECEPTEUR A GRAIN  
 UMBAUSATZ STANDARD STUFENBODEN  
 DISPOSITIVO VASCA RACCOGLITRICE GRANO  
 MANDEJA DEL GRANO SERVICO

N/D TO H/D CONVERSION  
 NORMAL EN RENFORCE  
 VERSTAERKTE AUSFUHRUNG  
 DA TIPO NORMALE A TIPO PESANTE  
 SERVICIO EN SERVICIO PASADO

25573001

3-2557-001-A



PRINTED IN U.K.

520 525

819611-H (1)

**MASSEY FERGUSON  
MF 520/525 COMBINES - 819611**

819611

470

**GRAIN PAN ARRANGEMENT N/D TO H/D CONVERSION**

Item	Part Number	Qty	Description	Comments
1	1615964M91	1	Kit, Repair	(A)
2	1855792M91	1	Panel	(1) Right Hand
2	1855126M91	3	Panel	(1)
	1855793M91	1	Panel	(1) Left Hand
3	784302M92	1	Plate	(1)
4	353516X1	4	Screw Unf	(1)
5	353446X1	4	Lock Washer	(1)
6	353916X1	4	Nut Unf	(1)
7	1855818M1	1	Shaft	(1)
8	831164M1	2	Flange	(1)
9	353152X1	2	Bearing	(1)
10	912071M2	1	Bracket	(1) Right Hand
10	912072M2	1	Bracket	(1) Left Hand
16	353791X1	6	Bolt Unf	(1)
17	353446X1	6	Lock Washer	(1)
18	353916X1	6	Nut Unf	(1)
19	359998X1	6	Bolt Unf	(1)
20	353446X1	6	Lock Washer	(1)
21	353916X1	6	Nut Unf	(1)
22	876152M1	4	Washer	(1)
23	353762X1	4	Washer	(1)
24	226762M2	2	Arm	(1)
25	350396X1	2	Bearing	(1)
31	1615193M1	4	Flange	(1)
32	353790X1	6	Bolt	(1)
33	22756X	6	Lock Washer	(1)
34	353917X1	6	Nut Unf	(1)
35	353825X1	4	Bolt Unf	(1)
36	359404X1	4	Lock Washer	(1)
37	353428X1	4	Nut Unf	(1)
38	831112M1	2	Bearing	(1)
39	226912M1	2	Bush	(1)
40	226766M1	4	Stud	(1)
41	359406X1	4	Washer	(1)
47	1615313M2	4	Extension	(1)
48	1615152M92	1	Support	(1)
49	353502X1	4	Screw Unf	(1)
50	353754X1	8	Washer	(1)
51	353918X1	4	Nut Unf	(1)
52	1855783M96	1	Pan	

(A)  
NO LONGER SERVICED ORDER DETAILS

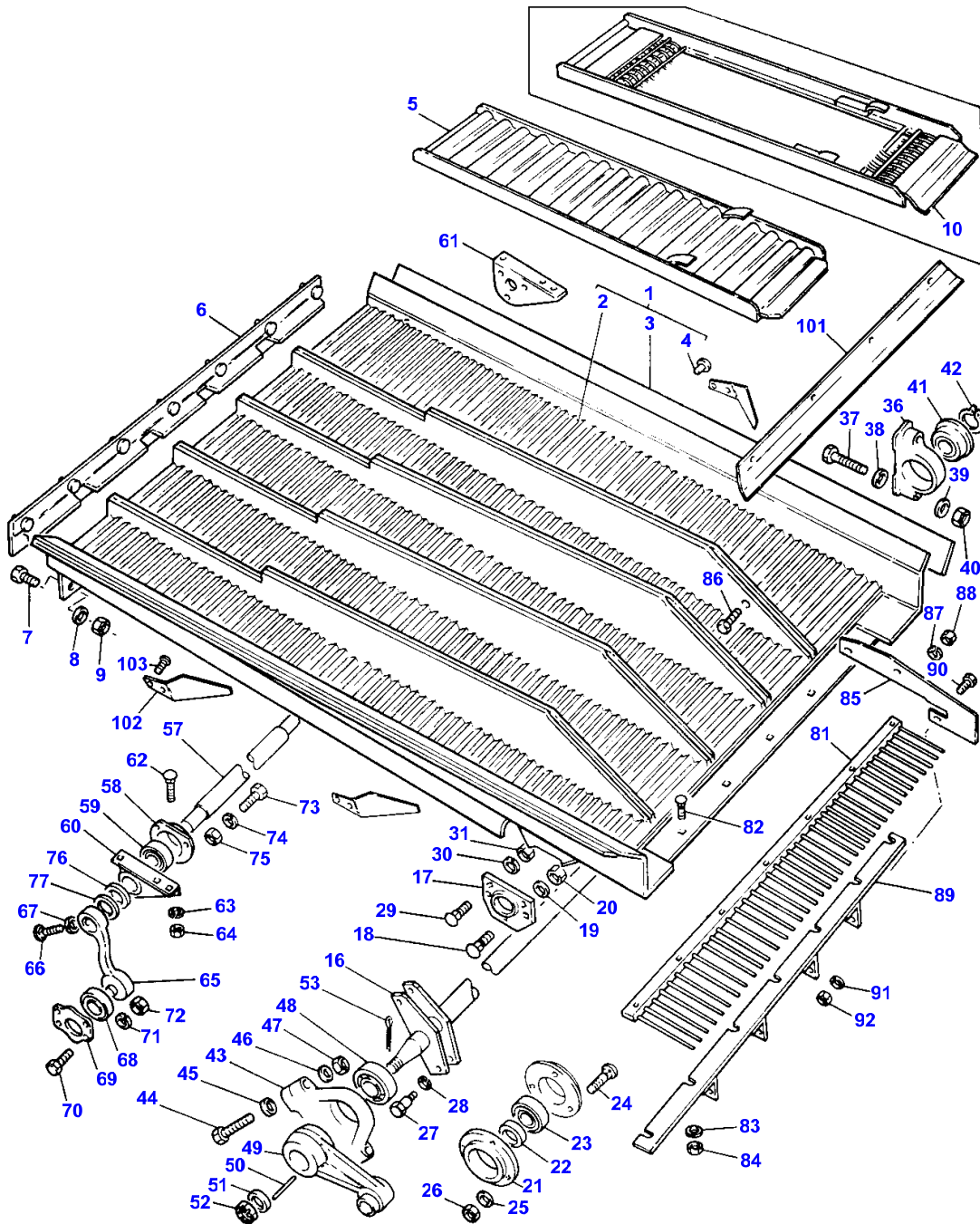
472

GRAIN PAN ARRANGEMENT HEAVY DUTY  
 RECEPTEUR A GRAINS  
 STUFENBODEN  
 DISPOSITIVO VASCA RACCOGLITICE GRANO  
 CONJUNTO DE MANDEJA DEL GRANO

HEAVY DUTY  
 RENFORCE SEULMENT  
 VERSTAERKE AUSFUEHRUNG  
 TIPO PESANTE  
 SERVICIO PESADO

25583001

3-2558-001-A



PRINTED IN U.K.

520 525

819611-H (1)

GRAIN PAN ARRANGEMENT HEAVY DUTY

Item	Part Number	Qty	Description	Comments
1	784574M93	1	Pan	(D) Up to Serial or Engine Number 376
1	1855783M96	1	Pan	From Serial or Engine Number 376
2		1	Grain Pan	(1) (F)
3	795127M1	2	Strip	(1)
4	377053X1	48	Rivet	(1)
5	1855792M91	1	Panel	Right Hand
	1855126M91	3	Panel	
	1855793M91	1	Panel	Left Hand
6	784302M92	1	Plate	
7	353516X1	8	Screw Unf	
8	353446X1	8	Lock Washer	
9	353916X1	6	Nut Unf	
10	619645M91	1	Screen	(A) Right Hand
10	619647M91	3	Screen	(A)
	619646M92	1	Screen	(A) Left Hand
16	1616623M92	1	Shaft	(E) Up to Serial or Engine Number 5866
16	1616623M93	1	Shaft	From Serial or Engine Number 5866
17	1615193M1	4	Flange	
18	353790X1	6	Bolt	
19	22756X	6	Lock Washer	
20	353917X1	6	Nut Unf	
21	22286X	4	Flange	
22	226912M1	8	Bush	
23	831112M1	4	Bearing	
24	353790X1	6	Bolt	
25	22756X	6	Lock Washer	
26	353917X1	6	Nut Unf	
27	226766M1	4	Stud	Up to Serial or Engine Number 5866
	1616771M1	4	Stud	From Serial or Engine Number 5866
28	359406X1	4	Washer	Up to Serial or Engine Number 5866
29	353825X1	4	Bolt Unf	
30	359404X1	4	Lock Washer	
31	353428X1	4	Nut Unf	
36	226774M1	1	Support	Up to Serial or Engine Number 717 Right Hand
36	617866M1	1	Support	From Serial or Engine Number 717 Right Hand
37	338801X1	2	Bolt	Up to Serial or Engine Number 717
	367950X1	2	Bolt Unf	From Serial or Engine Number 717
38	1615037M1	2	Washer	Up to Serial or Engine Number 717
	617869M1	2	Washer	From Serial or Engine Number 717
39	338802X1	2	Washer	Up to Serial or Engine Number 717
	338690X1	2	Washer	From Serial or Engine Number 717
40	338600X1	2	Nut Unf	Up to Serial or Engine Number 717
	366092X1	2	Nut Unf	From Serial or Engine Number 717
41	831087M1	1	Bearing	Right Hand
42	208221M1	1	Ring	
43	226768M1	1	Support	Up to Serial or Engine Number 717 Left Hand
43	617867M1	1	Support	From Serial or Engine Number 717 Left Hand
44	338801X1	2	Bolt	Up to Serial or Engine Number 717
	367950X1	2	Bolt Unf	From Serial or Engine Number 717
45	1615037M1	2	Washer	Up to Serial or Engine Number 717
	617869M1	2	Washer	From Serial or Engine Number 717
46	338802X1	2	Washer	Up to Serial or Engine Number 717
	338690X1	2	Washer	From Serial or Engine Number 717
47	338600X1	2	Nut Unf	Up to Serial or Engine Number 717
	366092X1	2	Nut Unf	From Serial or Engine Number 717
48	832087M1	1	Bearing	Left Hand
49	788019M1	1	Crank	
50	352958X1	1	Key Parallel	
51	353777X1	1	Washer	
52	637036M2	1	Nut	
53	354083X1	1	Pin	

GRAIN PAN ARRANGEMENT HEAVY DUTY

Item	Part Number	Qty	Description	Comments
57	226763M1	1	Shaft	Up to Serial or Engine Number 376
57	1855818M1	1	Shaft	From Serial or Engine Number 376
58	831164M1	2	Flange	
59	353152X1	2	Bearing	
60	912072M2	1	Bracket	Left Hand
61	912071M2	1	Bracket	Right Hand
62	353791X1	6	Bolt Unf	
63	353446X1	6	Lock Washer	
64	353916X1	6	Nut Unf	
65	226762M2	2	Arm	
66	355208X1	2	Screw Unc	
67	375110X1	2	Nut Unc	
68	350396X1	2	Bearing	
69	226765M1	2	Housing	
70	353520X1	8	Bolt Unf	
71	353446X1	8	Lock Washer	
72	353916X1	8	Nut Unf	
73	359998X1	6	Bolt Unf	
74	353446X1	6	Lock Washer	
75	353916X1	6	Nut Unf	
76	876152M1	4	Washer	
77	353762X1	4	Washer	
81	1616790M91	1	Screen	
82	353792X1	7	Bolt Unf	
83	353446X1	7	Lock Washer	(B)
83	353755X1	7	Washer	(C)
84	353916X1	7	Nut Unf	
85	1615313M2	4	Extension	(C)
85	1615314M2	4	Extension	(B)
86	353503X1	8	Screw Unf	
86	353502X1	8	Screw Unf	(B)
87	353441X1	8	Lock Washer	
87	353754X1	8	Washer	(B)
88	353918X1	8	Nut Unf	
89	1615152M92	1	Support	(C)
90	353502X1	4	Screw Unf	
91	353754X1	8	Washer	
92	353918X1	4	Nut Unf	
101	1616152M1	4	Deflector	
102	784599M2	3	Deflector	Right Hand
102	784600M2	3	Deflector	Left Hand
103	360350X1	12	Screw	

(A)  
MAIZE COMBINES ONLY

(B)  
FOR USE WITH TRIPLE SHAKER SHOES

(C)  
FOR USE WITH DOUBLE SHAKER SHOES

(D)  
NO LONGER SERVICED USE 1855783M96 WITH 1855818M1

(E)  
NO LONGER SERVICED USE 1616623M93 WITH 4 OFF 16167 71M1

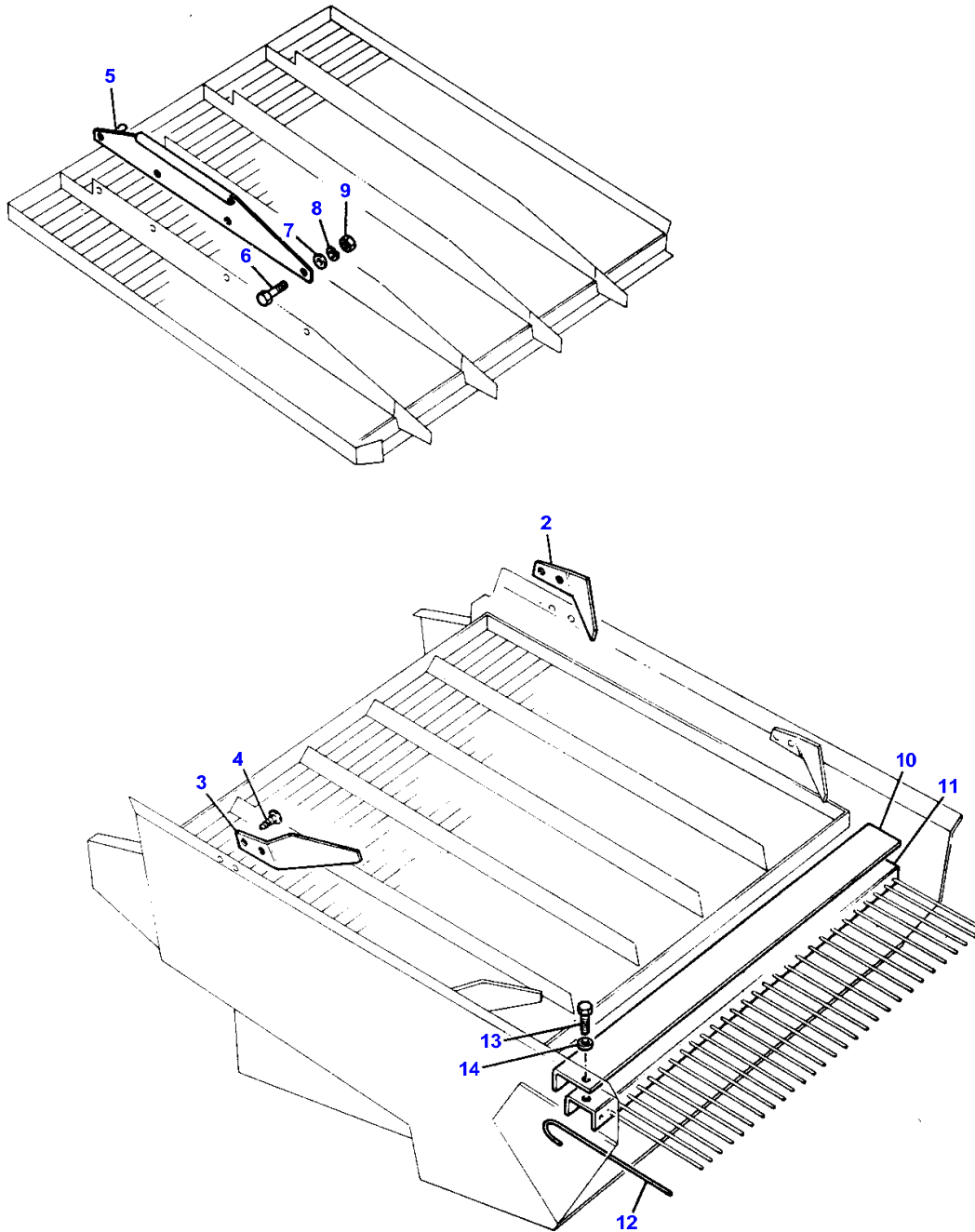
(F)  
ORDER ASSEMBLY

478

HILLSIDE KIT  
JEU DE PIECES POUR COTEAU (NETTOYAGE)  
UMBAUSATZ HANGLAGE  
GRUPPO COLTELLI  
JUEGO PARA LADERAS

25803001

3-2580-001-A



PRINTED IN U.K.

520 525

819611-H (1)



**HILLSIDE KIT**

Item	Part Number	Qty	Description	Comments
1	784614M91	1	Kit	
2	784599M2	2	Deflector	(1) Right Hand
3	784600M2	2	Deflector	(1) Left Hand
4	360350X1	8	Screw	(1)
5	1855933M3	4	Extension	(1)
6	353502X1	16	Screw Unf	(1) (B)
6	353503X1	16	Screw Unf	(1) (C)
7	353754X1	16	Washer	(1) (C)
8	353441X1	16	Lock Washer	(1)
9	353918X1	16	Nut Unf	(1)
10	784601M1	1	Bracket	(1) (A)
11	784602M91	1	Holder	(1) (A)
12	784604M1	77	Tine	(1)
13	353502X1	6	Screw Unf	(1) (A)
14	353441X1	8	Lock Washer	(1) (A)

(A)  
SUPPLIED LOOSE IN TOOLBOX

(B)  
NORMAL DUTY GRAIN PAN

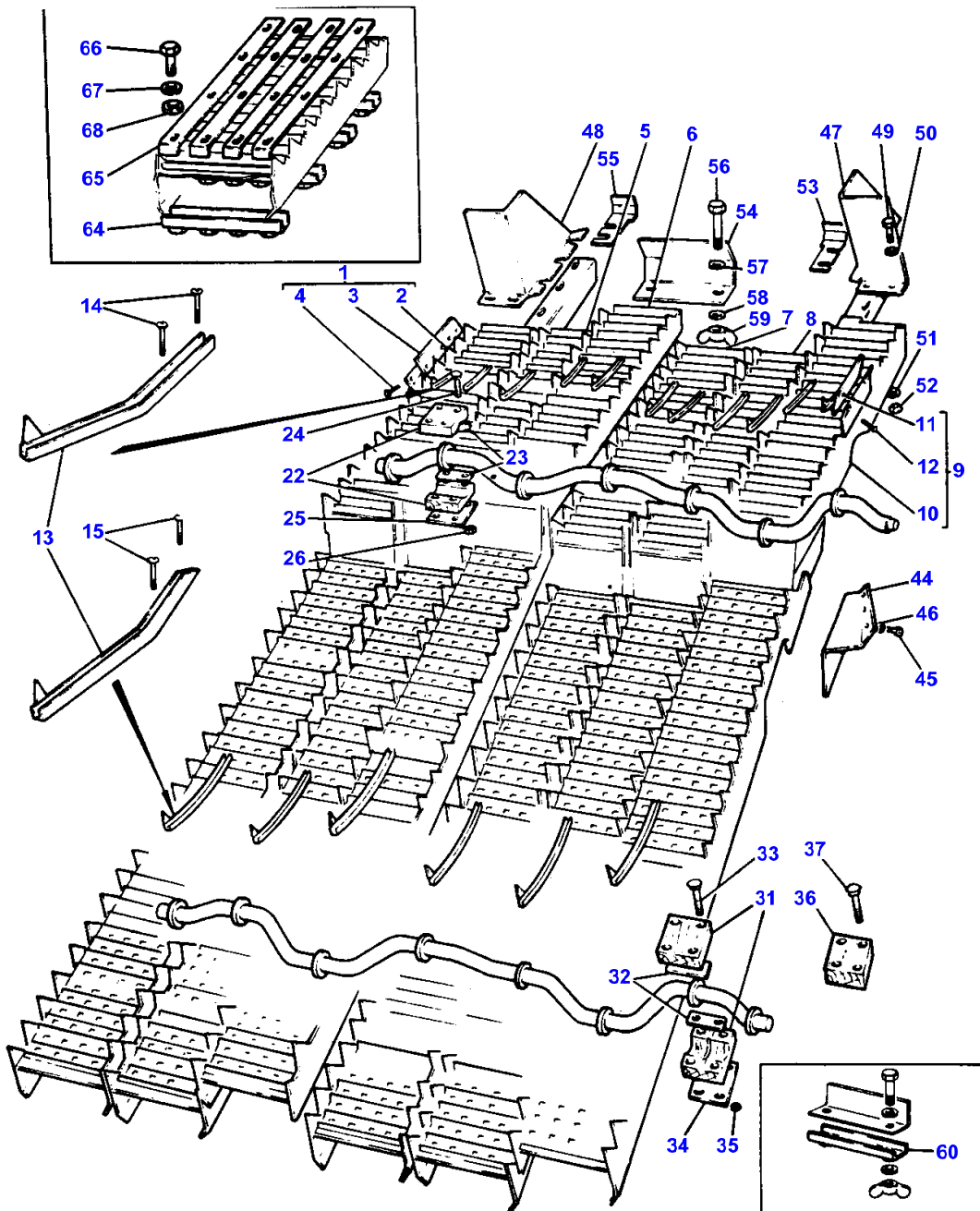
(C)  
WITHOUT HEAVY DUTY ELEVATOR

480

STRAW WALKER  
 SECOUEURS  
 SCHUETTLER  
 SCUOTIPAGLIA  
 SACUDIDOR

25453002

3-2545-002-A



PRINTED IN U.K.

520 525

819611-H (1)

STRAW WALKER

Item	Part Number	Qty	Description	Comments
1	1855663M95	1	Walker	NO-6
2		1	Walker	(1) Not serviced, order 1855 663 M95
3	237280M1	2	Strip	(1)
4	49189X	10	Rivet	(1)
5	912481M95	1	Walker	NO.5
6	912479M94	1	Walker	NO.4
7	912479M94	1	Walker	NO.3
8	912479M94	1	Walker	NO.2
9	1855661M95	1	Walker	NO.1
10		1	Walker	(9) Not serviced, order 1855 661 M95
11	237280M1	2	Strip	(9)
12	49189X	10	Rivet	(9)
13	786430M91	24	Riser	
14	350129X1	24	Screw Unc	
15	360236X1	24	Screw	
22	238124M1	12	Bearing	
23	229241M1	12	Packing	
24	354781X1	24	Bolt Unf	
25	795877M1	6	Plate	
26	376447X1	24	Nut Unf	
31	238124M1	12	Bearing	
32	229241M1	12	Packing	
33	354781X1	24	Bolt Unf	(B)
34	795877M1	6	Plate	
35	376447X1	24	Nut Unf	
36	912483M1	6	Block	(A)
37	354791X1	24	Bolt	(A)
44	234096M1	1	Deflector	
45	375398X1	3	Bolt	
46	22463X	3	Lock Washer	
47	1615685M1	1	Deflector	(F)
48	1615684M1		Deflector	(F)
49	353516X1	10	Screw Unf	(F)
50	353755X1	10	Washer	(F)
51	353446X1	10	Lock Washer	(F)
52	353916X1	10	Nut Unf	(F)
53	1615680M2	1	Deflector	(H,J)
54	617954M3	4	Deflector	(H,J)
55	1615682M2	1	Deflector	(H,J)
56	1615028M1	8	Screw	(H)
	353508X1	8	Bolt Unf	(J)
57	391311X1	8	Washer	(H)
	353617X1	8	Bolt Unf	(J)
58	339375X1	8	Lock Washer	(H)
	353441X1	8	Lock Washer	(J)
59	339722X1	8	Nut	(H)
60	1615693M91	4	Plate	
	783488M91	4	Plate	(J)
64	783488M91	16	Plate	(C,D)
65	783485M1	16	Strip	(C,D)
66	353508X1	64	Bolt Unf	(C,D)
67	353441X1	64	Lock Washer	(C,D)
68	355617X1	64	Washer	

(A)  
WITH CASCADE SEPERATOR

(B)  
WITHOUT CASCADE SEPERATOR

(C)  
MAIZE MACHINES

(D)  
INCLUDED IN KITS 784 966 M92 /1855 407 M92/1855 40 8 M92/1855 409 M92

(E)  
CONTAINS ITEMS MARKED (F)

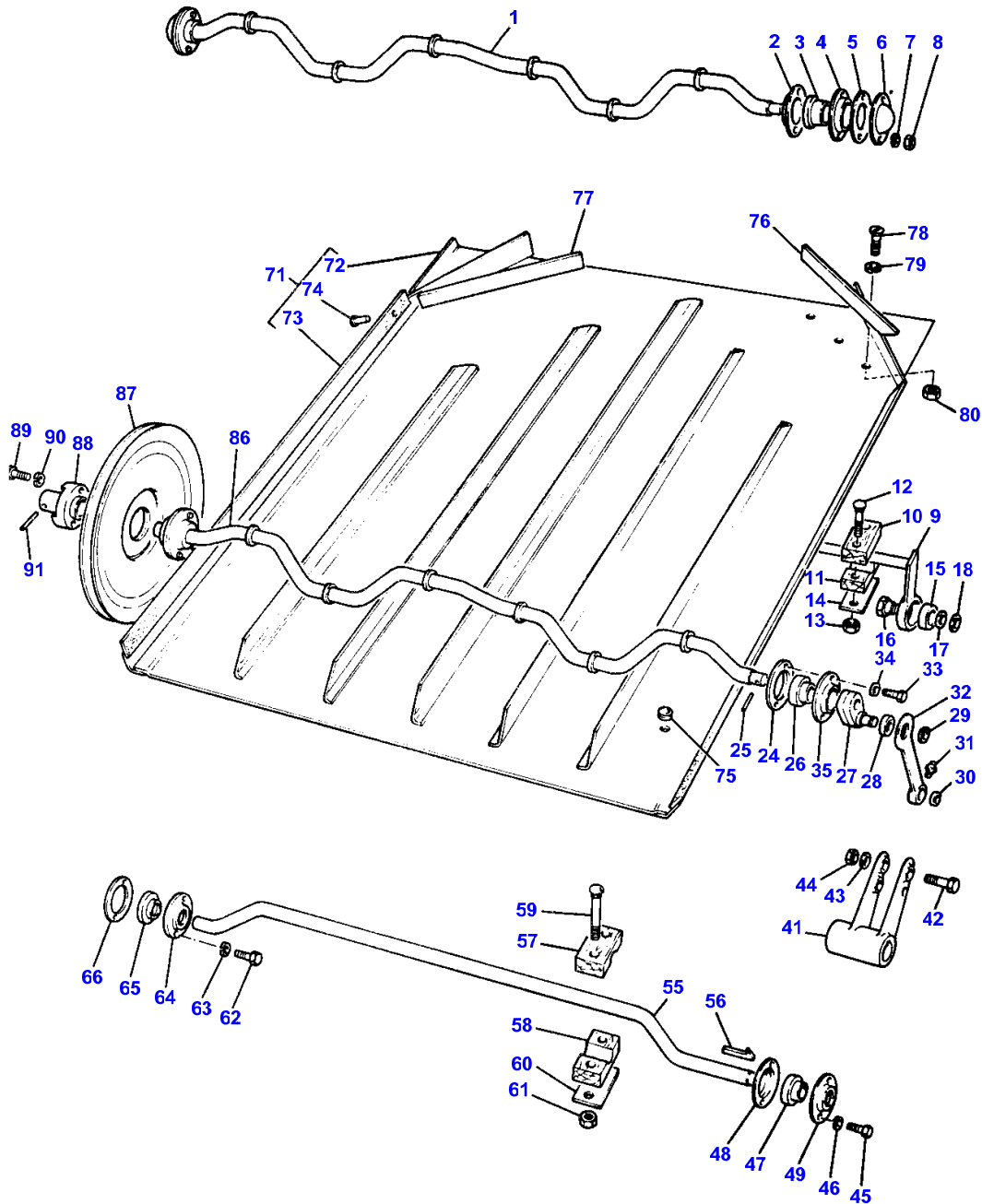
Item	Part Number	Qty	Description	Comments
				(F) INCLUDED IN KIT 606 812 M92
				(G) CONTAINS ITEMS MARKED (H)
				(H) INCLUDED IN KIT 617 952 M91
				(J) INCLUDED IN KIT 617 952 M93
				(K) CONTAINS ITEMS MARKED (J)
				(L) NO LONGER SERVICED ORDER DETAILS

486

STRAW WALKER MECHANISM AND GRAIN PAN  
 COMMANDE DES SECOUERS ET RECEPTEUR A GRAIN  
 SCHUTTLEANTRIEB UND SCHUTTER BODEN  
 MECCANISMO SCUOTI PAGLIA E RACCOLTA GRANO  
 MECANISME DE SACAPAJAS Y BANDEJA DEL GRANO

25513001

3-2551-001-A



Item	Part Number	Qty	Description	Comments
1	238114M91	1	Shaft	
2	833002M1	1	Flange	
3	353161X1	2	Bearing	
4	833004M1	2	Flange	
5	238117M1	2	Gasket	
6	238118M1	2	Cover	
7	353446X1	6	Lock Washer	
8	353916X1	6	Nut Unf	
9	226689M91	1	Hanger	
10	226688M1	2	Bearing	
11	229208M1	2	Bearing	
12	354781X1	4	Bolt Unf	
13	376447X1	4	Nut Unf	
14	790531M1	2	Plate	
15	350396X1	2	Bearing	
16	226674M1	2	Bolt	
17	353760X1	2	Flat Washers	
18	359405X1	2	Washer	
24	832524M1	2	Flange	
25	377305X1	2	Pin	
26	353161X1	2	Bearing	
27	238493M1	1	Crank	
28	353152X1	1	Bearing	
29	352660X1	1	Ring	
30	353275X1	1	Bearing	
31	MP 1056	1	Grease Nipple	
32	223491M1	1	Rod	
33	353517X1	6	Screw Unf	
34	353446X1	6	Lock Washer	
35	831834M1	2	Flange	
41	238119M1	1	Clevis	
42	353600X1	1	Bolt Unf	
43	353439X1	1	Lock Washer	
44	353437X1	1	Nut Unf	
45	353517X1	3	Screw Unf	
46	353446X1	3	Lock Washer	
47	831929M1	1	Bearing Assy	
48	833003M1	1	Flange	
49	831834M1	1	Flange	
55	238137M91	1	Crankshaft	
56	MP 1111	1	Key Door	
57	795485M1	2	Bearing	
58	238136M1	2	Bearing	
59	354783X1	4	Bolt Unf	
60	790531M1	2	Plate	
61	376447X1	4	Nut Unf	
62	353517X1	3	Screw Unf	
63	353446X1	3	Lock Washer	
64	832523M1	1	Flange	
65	831929M1	1	Bearing Assy	
66	831834M1	1	Flange	
71	783749M91	1	Pan	
72		1	Pan	(71) Not serviced, order 783 749 M91
73	912459M1	1	Rubber Strap	(71) Left Hand
73	912457M1	1	Rubber Strap	(71) Right Hand
74	49189X	34	Rivet	(71)
75	792307M1	8	Plug	
76	912718M1	1	Deflector	Left Hand
77	912719M1	1	Deflector	Right Hand
78	353969X1	6	Screw Unc	
79	353441X1	6	Lock Washer	
80	355564X1	6	Nut Unc	
86	787629M91	1	Crankshaft	
87	796679M91	1	Pulley	
88	785334M1	1	Hub	
89	353537X1	3	Screw Unf	
90	353434X1	3	Lock Washer	

**MASSEY FERGUSON**

**MF 520/525 COMBINES - 819611**

**819611**

**STRAW WALKER MECHANISM AND GRAIN PAN**

**486**

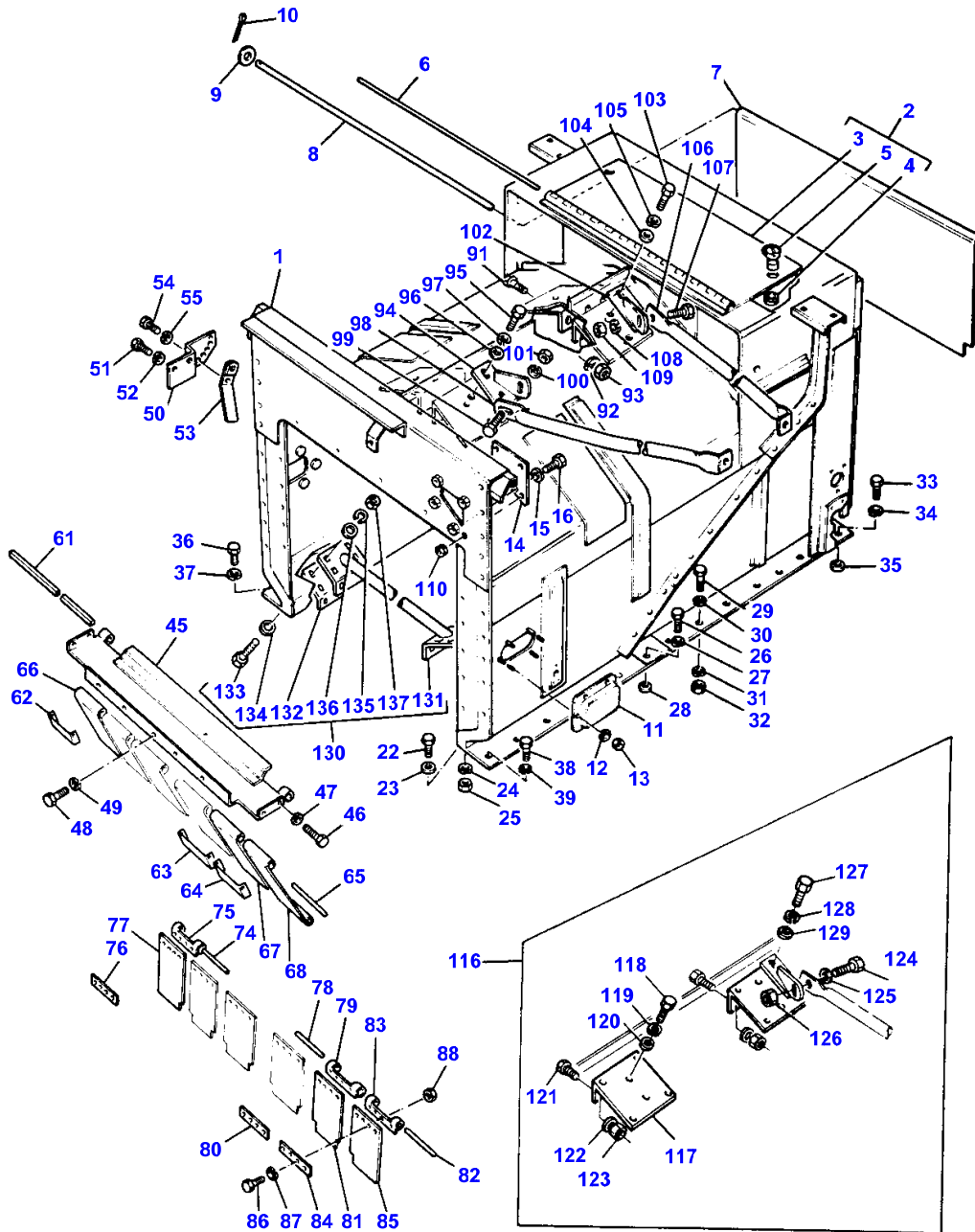
Item	Part Number	Qty	Description	Comments
91	10241X	1	Clevis Pin	

490

STRAW WALKER BODY  
 SECOURS CORPS  
 SCHÜTTLER GEHÄUSE  
 SCUOTIPAGLIA CORPO  
 SACAPAJAS CUERPO

25463001

3-2546-001-C





**MASSEY FERGUSON  
MF 520/525 COMBINES - 819611**

819611

490

**STRAW WALKER BODY**

Item	Part Number	Qty	Description	Comments
1	1615317M97	1	Body	
2	783594M91	1	Door	
3		1	Door	(2) Not serviced, order 783 594 M91
4	786051M2	2	Cup	(2)
5	783593M1	2	Stud	(2)
6	786751M1	1	Rod	
7	783133M1	1	Curtain	
8	238277M1	1	Pipe	
9	376421X1	2	Washer	
10	354052X1	2	Pin	
11	227730M1	2	Door	
12	353446X1	12	Lock Washer	
13	353916X1	12	Nut Unf	
14	783772M1	1	Plate	
15	353446X1	4	Lock Washer	
16	353515X1	4	Screw Unf	
22	353517X1	2	Screw Unf	
23	353755X1	2	Washer	
24	353446X1	2	Lock Washer	
25	353916X1	2	Nut Unf	
26	353516X1	1	Screw Unf	
27	353446X1	1	Lock Washer	
28	353755X1	1	Washer	
29	353516X1	21	Screw Unf	
30	353755X1	21	Washer	
31	353446X1	21	Lock Washer	
32	353916X1	21	Nut Unf	
33	353517X1	6	Screw Unf	
34	353446X1	6	Lock Washer	
35	353755X1	6	Washer	
36	353516X1	1	Screw Unf	
37	353446X1	1	Lock Washer	
38	353537X1	4	Screw Unf	
39	353434X1	4	Lock Washer	
45	1855141M92	1	Support	
46	353516X1	2	Screw Unf	
47	353446X1	2	Lock Washer	
48	353516X1	5	Screw Unf	
49	353446X1	5	Lock Washer	
50	912649M1	1	Quadrant	
51	353516X1	2	Screw Unf	
52	353446X1	2	Lock Washer	
53	912646M91	1	Lever	
54	353516X1	1	Screw Unf	
55	353446X1	1	Lock Washer	
61	912637M1	1	Pivot	
62	912631M1	1	Raiser	Right Hand
63	912630M1	4	Support	
64	912631M1	1	Raiser	Left Hand
65	914972M1	2	Rod	
66	784284M3	1	Hanger	Right Hand
67	784279M3	4	Hanger	
68	784283M3	1	Hanger	Left Hand
74	914973M1	1	Rod	
75	912632M2	1	Hinge	Right Hand
76	1615011M1	1	Angle	
77	784276M2	1	Curtain	Right Hand
78	914972M1	1	Rod	
79	912633M2	4	Hinge	
80	1615011M1	4	Angle	
81	784273M2	4	Curtain	
82	914973M1	1	Rod	
83	912632M2	1	Hinge	Left Hand
84	1615011M1	1	Angle	
85	784276M2	1	Curtain	Left Hand
86	354241X1	24	Bolt Unf	
87	353441X1	24	Lock Washer	
88	353918X1	24	Nut Unf	
91	353517X1	6	Screw Unf	

STRAW WALKER BODY

Item	Part Number	Qty	Description	Comments
92	353446X1	6	Lock Washer	
93	353916X1	6	Nut Unf	
94	795986M91	1	Bracket	
95	353518X1	2	Screw Unf	
96	353755X1	2	Washer	
97	353446X1	2	Lock Washer	
98	911837M1	1	Stay	
99	353538X1	1	Screw Unf	
100	338901X1	1	Washer	
101	353431X1	1	Nut Unf	
102	795985M91	1	Bracket	
103	353518X1	2	Screw Unf	
104	353755X1	2	Washer	
105	353446X1	2	Lock Washer	
106	795970M2	1	Stay	
107	353538X1	1	Screw Unf	
108	338901X1	1	Washer	
109	353431X1	1	Nut Unf	
110	792284M1	1	Grommet	
116	3044085M91	1	Kit	(A)
117	3044084M1	4	Reinforcement	(116)
118	353792X1	16	Bolt Unf	(116)
119	353446X1	16	Lock Washer	(116)
120	353916X1	16	Nut Unf	(116)
121	353517X1	6	Screw Unf	(116)
122	353446X1	6	Lock Washer	(116)
123	353916X1	6	Nut Unf	(116)
124	353538X1	2	Screw Unf	(116)
125	338901X1	2	Washer	(116)
126	353431X1	2	Nut Unf	(116)
127	353518X1	4	Screw Unf	(116)
128	353446X1	4	Lock Washer	(116)
129	353916X1	4	Nut Unf	(116)
130	3370720M91	1	Kit, Repair	(B)
131	3043737M91	1	Brace	(130)
132	3043743M1	2	Plate	(130)
133	353810X1	12	Bolt Unf	(130)
134	353756X1	12	Washer	(130)
135	353434X1	12	Lock Washer	(130)
136	10982X	12	Washer	(130)
137	353431X1	12	Nut Unf	(130)

(A)  
USE UP TO 1615 317 M96

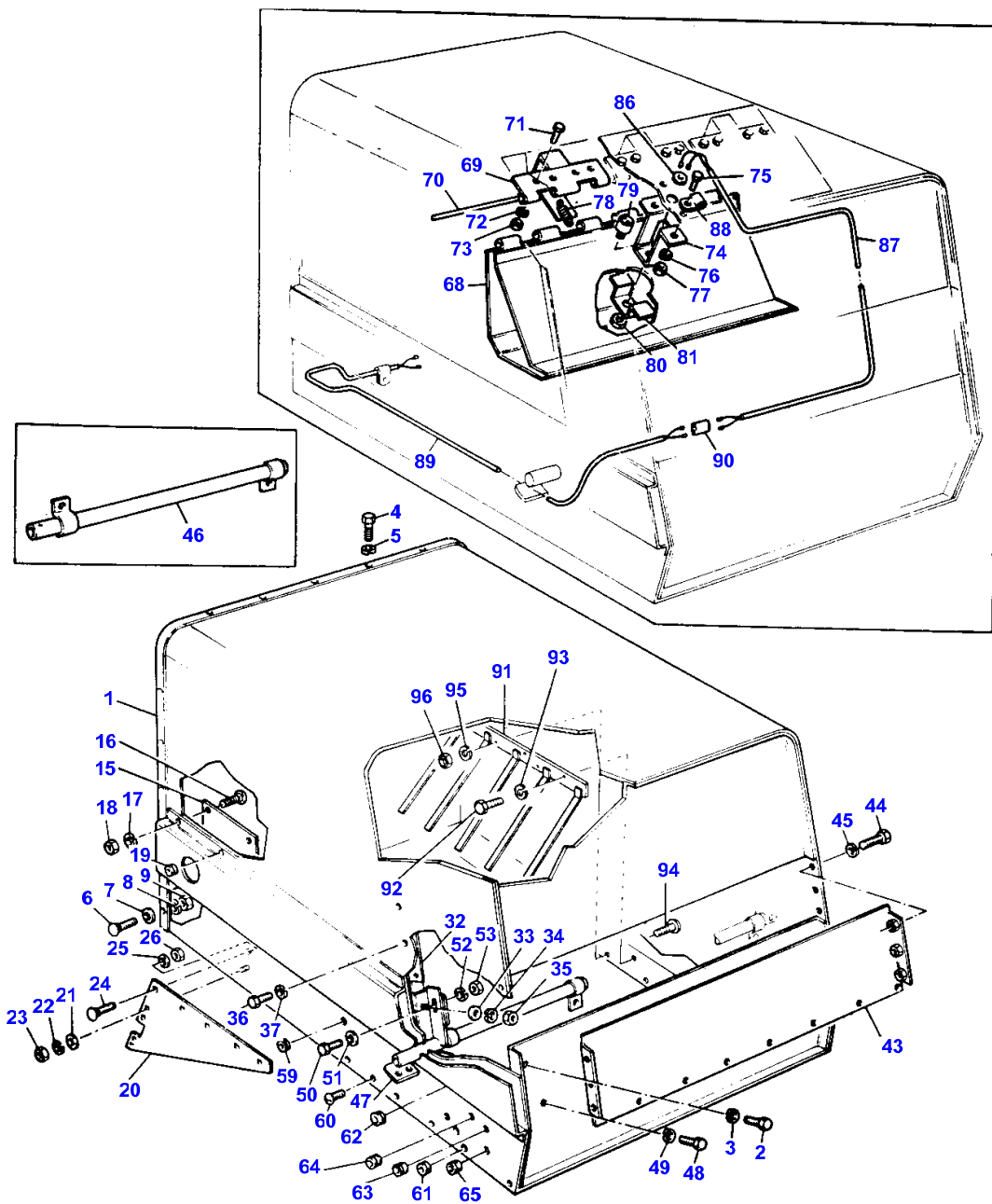
(B)  
NOT SERVICED, ORDER DETAILS

496

HOOD  
HOTTE  
MASCHINENGEHAUSE  
COFANO  
TOLVA

25853001

3-2585-001-B



PRINTED IN U.K.

520 525

R19R11-H / 11

HOOD

Item	Part Number	Qty	Description	Comments
1	1855704M95	1	Hood	
2	353516X1	6	Screw Unf	
3	353446X1	6	Lock Washer	
4	353516X1	6	Screw Unf	
5	353446X1	6	Lock Washer	
6	353791X1	4	Bolt Unf	
7	353618X1	4	Bolt Unf	
8	353446X1	4	Lock Washer	
9	353916X1	4	Nut Unf	
15	788599M1	1	Plate	(A)
16	353791X1	4	Bolt Unf	
17	353446X1	4	Lock Washer	
18	353916X1	4	Nut Unf	
19	793115M1	2	Plug	
20	789107M3	1	Plate	Left Hand
	789319M3	1	Plate	Right Hand
21	353755X1	4	Washer	
22	353446X1	4	Lock Washer	
23	353916X1	4	Nut Unf	
24	353791X1	10	Bolt Unf	
25	353446X1	10	Lock Washer	
26	353916X1	10	Nut Unf	
32	788266M91	1	Panel	
33	353755X1	16	Washer	
34	353446X1	16	Lock Washer	
35	353916X1	16	Nut Unf	
36	353516X1	6	Screw Unf	
37	353446X1	6	Lock Washer	
43	784606M91	1	Panel	
44	353516X1	8	Screw Unf	
45	353446X1	8	Lock Washer	
46	783434M91	1	Tube	(B) Left Hand Up to Serial or Engine Number 2017
46	783435M91	1	Tube	(B) Right Hand Up to Serial or Engine Number 2017
47	617733M91	1	Tube	(C) Left Hand From Serial or Engine Number 2017
47	617734M91	1	Tube	(C) Right Hand From Serial or Engine Number 2017
48	353516X1	4	Screw Unf	
49	353446X1	4	Lock Washer	
50	353791X1	2	Bolt Unf	(C)
51	353755X1	2	Washer	(C)
52	353446X1	2	Lock Washer	(C)
53	353916X1	2	Nut Unf	(C)
59	828790M2	4	Plug	(A)
60	376386X1	8	Screw	(A)
61	792307M1	18	Plug	(A)
62	880668M1	4	Plug	(A)
63	880668M1	2	Plug	(E)
64	880738M1	1	Plug	(E)
65	828874M1	1	Bumper	(E)
68	914782M91	1	Flap	
69	785919M92	3	Hinge	
70	785708M1	3	Rod	
71	353516X1	4	Screw Unf	
72	353446X1	4	Lock Washer	
73	353916X1	4	Nut Unf	
74	785921M91	1	Bracket	
75	353516X1	4	Screw Unf	
76	353446X1	4	Lock Washer	
77	353916X1	4	Nut Unf	
78	14581A	3	Spring	
79	39121	1	Switch	(D)
80	377057X1	1	Nut	
81	914974M1	1	Bracket	

HOOD

Item	Part Number	Qty	Description	Comments
86	210280M1	1	Grommet	
87	1615041M3	1	Harness	
88	360031X1	1	Clip	
89	784468M92	1	Harness	
90	850641	2	Connector	(D)
91	619405M91	1	Deflector	(A)
92	353517X1	3	Screw Unf	(A)
93	353446X1	3	Lock Washer	(A)
94	359038X1	2	Bolt Unf	(A)
95	353446X1	2	Lock Washer	(A)
96	353916X1	2	Nut Unf	(A)

(A)  
NOT REQUIRED WHEN CASCADE SEPERATOR IS FITTED

(B)  
UP TO SERIAL NUMBER 1635 FRANCE ONLY

(C)  
FROM SERIAL NUMBER 1635 FRANCE AND GERMANY ONLY

(D)  
SERVICED BY LUCAS

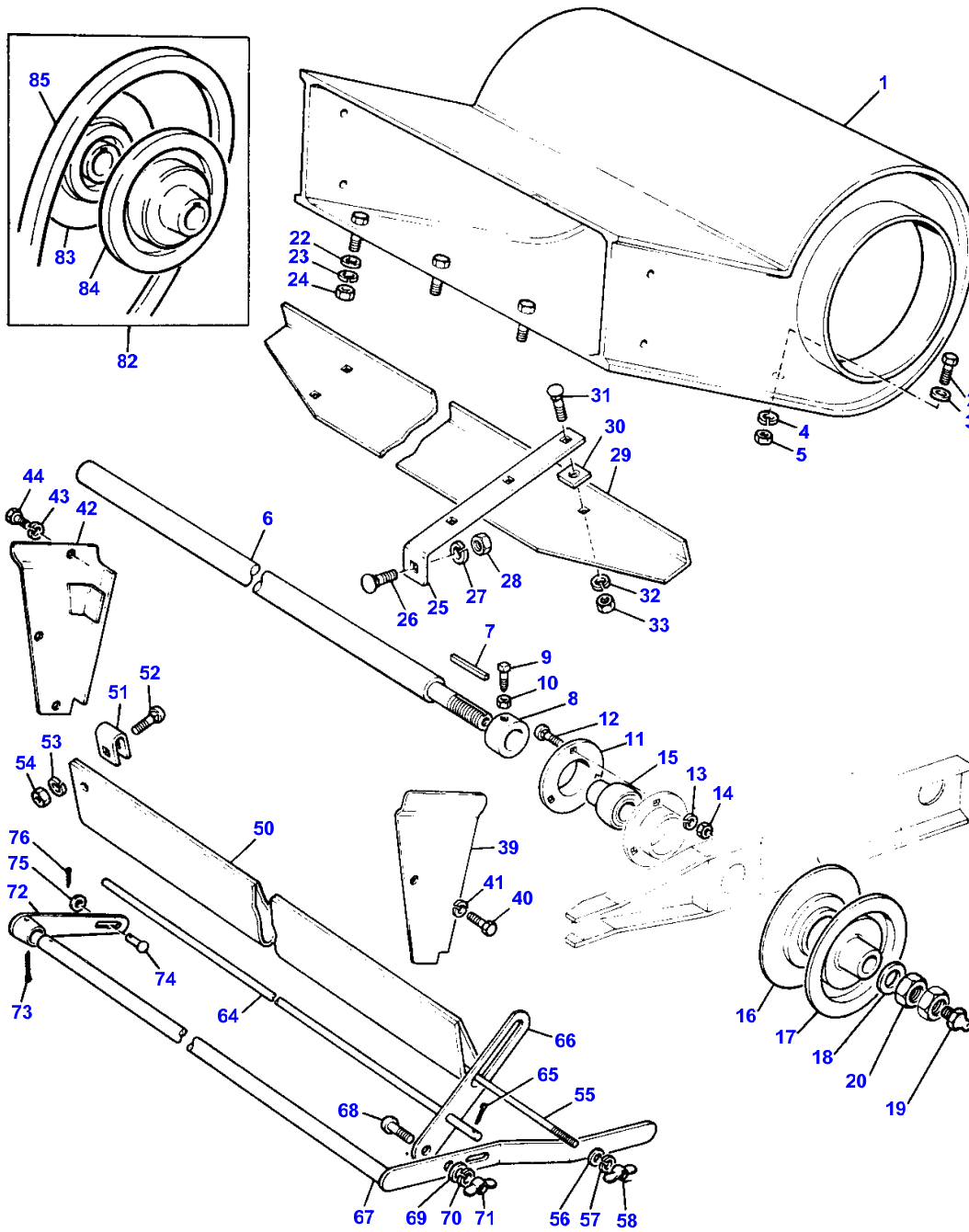
(E)  
WITHOUT MULTIFLOW

502

FANNING MILL  
 VENTILATEUR DE NETTOYAGE  
 GEBLÄSE  
 VENTILATORE  
 VENTILADOR

25353001

3-2535-001-A



PRINTED IN U.K.

520 525

819611-H (1)

FANNING HILL

Item	Part Number	Qty	Description	Comments
1	789470M91	1	Body	
2	353517X1	4	Screw Unf	
3	353755X1	4	Washer	
4	353446X1	4	Lock Washer	
5	353916X1	4	Nut Unf	
6	787400M1	1	Shaft	
7	365580X1	1	Key Door	
8	795996M1	2	Collar	
9	353750X1	2	Screw Unc	
10	375109X1	2	Nut Unc	
11	541388M2	4	Flange	
12	353806X1	6	Bolt Unf	
13	353434X1	6	Lock Washer	
14	353431X1	6	Nut Unf	
15	831514M1	2	Bearing Assy	
16	228513M1	1	Pulley	
17	228514M1	1	Pulley	
18	353777X1	1	Washer	
19	MP 1056	1	Grease Nipple	
20	355647X1	2	Nut Unf	
22	353755X1	7	Washer	
23	353446X1	7	Lock Washer	
24	353916X1	7	Nut Unf	
25	GK 1902	8	Arm	
26	353811X1	8	Bolt Unf	
27	353434X1	8	Lock Washer	
28	353431X1	8	Nut Unf	
29	228500M1	4	Blade Cutter	
30	GL 5001	16	Washer	
31	353793X1	16	Bolt Unf	
32	353446X1	16	Lock Washer	
33	353916X1	16	Nut Unf	
39	227823M91	1	Door	Right Hand
40	353514X1	4	Screw Unf	
41	353446X1	4	Lock Washer	
42	227822M91	1	Door	Left Hand
43	353515X1	4	Screw Unf	
44	353446X1	4	Lock Washer	
50	228508M1	2	Deflector	Up to Serial or Engine Number 6472
	1616351M1	1	Deflector	From Serial or Engine Number 6472
51	228502M1	4	Bracket	Up to Serial or Engine Number 6472
52	353791X1	4	Bolt Unf	
53	353446X1	4	Lock Washer	
54	353916X1	4	Nut Unf	
55	228503M1	1	Rod	
56	353754X1	4	Washer	
57	353441X1	2	Lock Washer	
58	234233M1	2	Nut	
64	782698M1	1	Pin	
65	354046X1	2	Pin	
66	228507M1	2	Support	Up to Serial or Engine Number 6472
	1616352M1	1	Strap	From Serial or Engine Number 6472
67	792003M91	1	Lever	
68	353793X1	1	Bolt Unf	(C)
	360502X1	1	Bolt	(D)
69	353755X1	1	Washer	
70	353446X1	1	Lock Washer	
71	1616809M1	1	Nut	(E)
	229419M1	1	Wing Nut	(F)
72	792005M91	1	Arm	
73	354091X1	1	Pin	
74	195240M1	2	Pin	
75	353755X1	2	Washer	
76	354057X1	2	Pin	
82	1855596M91	1	Parts Pack	(A,B)
83	252778M1	1	Pulley	(82)
				(A)
84	1855597M1	1	Pulley	(82)
				(A)
85	1616477M1	1	Belt	(82)

FANNING HILL

Item	Part Number	Qty	Description	Comments
				(A)
				(A) MAIZE COMBINES ONLY
				(B) NO LONGER SERVICED ORDER DETAILS
				(C) USE ONLY WITH 1616809M1
				(D) USE ONLY WITH 229419M1
				(E) USE ONLY WITH 353793X1
				(F) USE ONLY WITH 360502X1

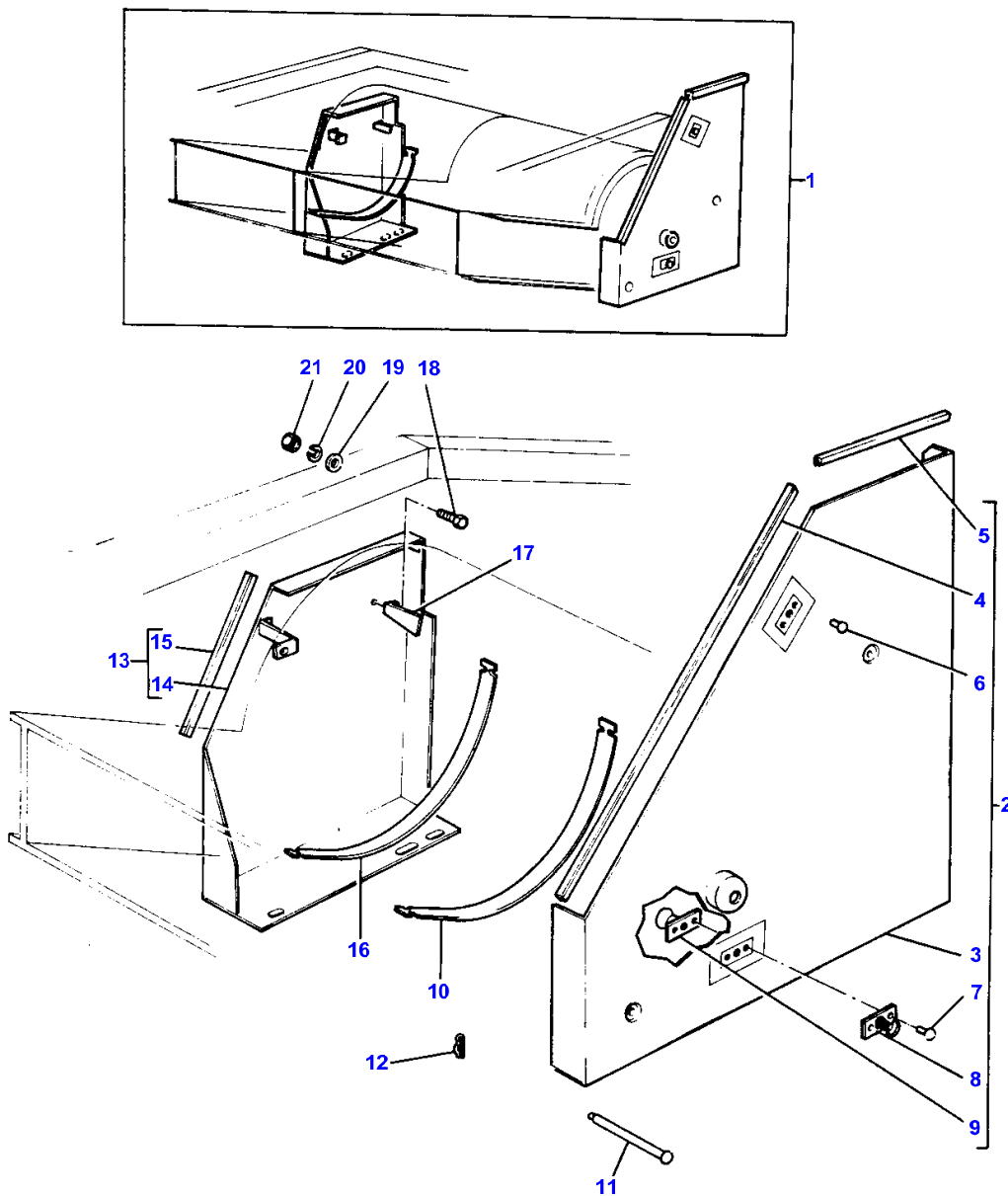


506

FANNING MILL SCREENS KIT  
 JEU DE GRILLES DE VENTILATEUR DE NETTOYAGE  
 SATZ GEBLAESEABDECKUNG  
 VENTILATORE DI PULIZIA KIT CRIVELLI  
 JUEGO DE CRIBAS DEL AVENTADOR

25413001

3-2541-001-A



FANNING MILL SCREENS KIT

Item	Part Number	Qty	Description	Comments
1	797483M91	1	Kit	(A,B)
2	1855252M92	1	Screen	(1) (D)
3		1	Screen	(2) Not serviced, order 1855 252 M92
4	1855253M1	1	Strip	(2) (D)
5	1855254M1	1	Strip	(2) (D)
6	16893X	2	Rivet	(2) (D)
7	16893X	2	Rivet	(2) (D)
8	792704M91	2	Fastener	(2) (D)
9	792703M91	2	Plate	(2) (D)
10	1855274M1	1	Strip	(1)
11	1855276M1	1	Bolt	(1) (D)
12	346160X1	1	Pin	(1) (D)
13	1855273M92	1	Screen	(1) (D)
14		1	Screen	(13) Not serviced, order 1855 273 M92
15	1855254M1	1	Strip	(13) (D)
16	1855274M1	1	Strip	(1) (D)
17	1855267M1	1	Bracket	(1) (D)
18	353516X1	3	Screw Unf	(1) (D)
19	353755X1	3	Washer	(1) (D)
20	353446X1	3	Lock Washer	(1) (D)
21	353916X1	3	Nut Unf	(1) (D)

(A)  
MAIZE AND RICE COMBINES ONLY

(B)  
INCLUDED IN KITS 784 966 M92, 1855 407 M92,-1855 4 08 M92 AND 1855 409 M92

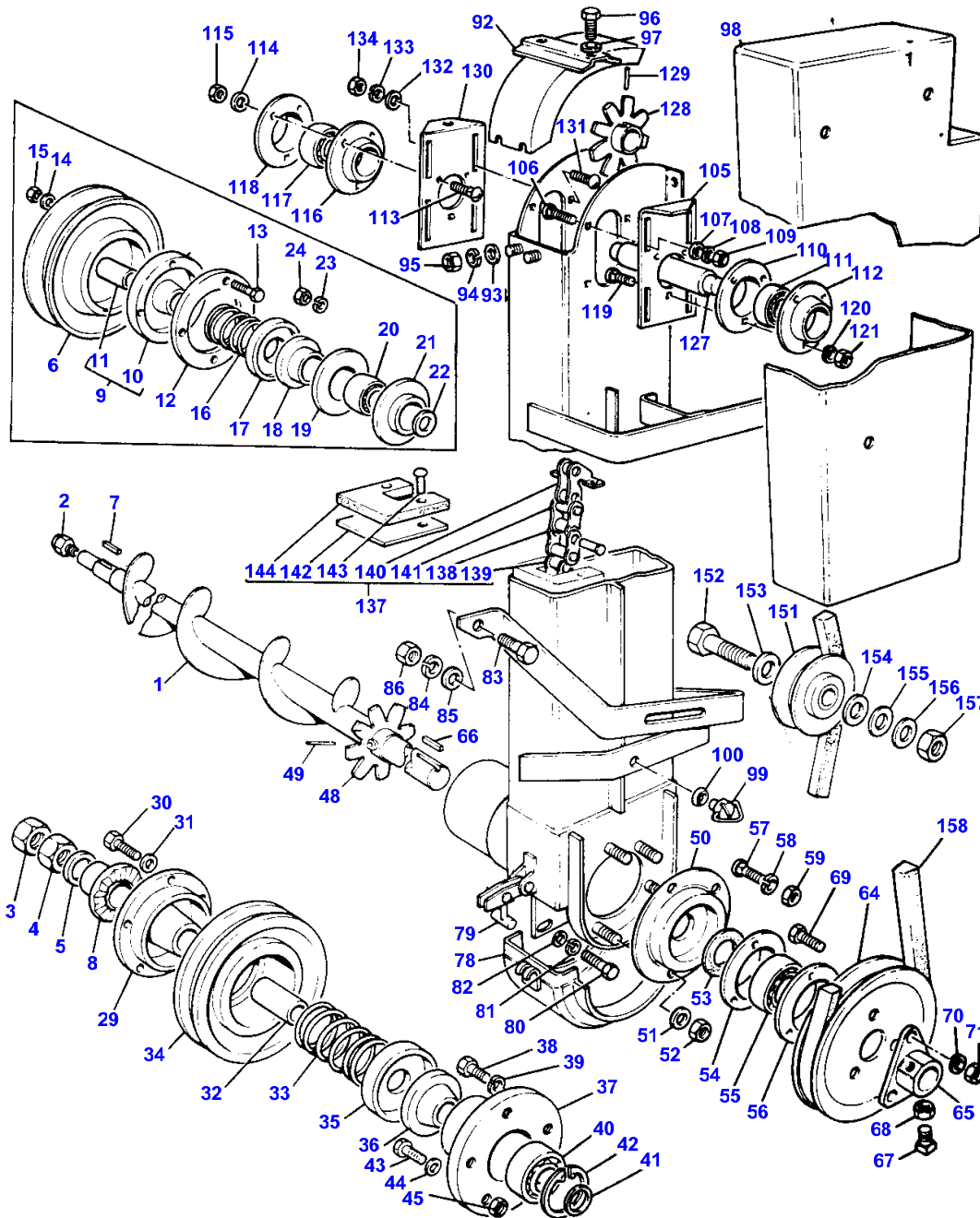
(D)  
FROM SERIAL NUMBER 6463 GERMANY ONLY

508

RETURN ELEVATOR AND SLIP CLUTCH  
 ELEVATEUR A OTONS ET EMBRAYAGE  
 UEBERKEHRELEVATOR UND RUTSCHKUPPLUNG  
 ELEVATORE RITORNO E FRIZIONE  
 RETORNO ELEVADOR

26753001

3-2675-001-A



**RETURN ELEVATOR AND SLIP CLUTCH**

Item	Part Number	Qty	Description	Comments
1	1616382M91	1	Auger	Up to Serial or Engine Number 5110
	3044751M91	1	Auger	From Serial or Engine Number 7418
	1615868M91	1	Auger	(H) From Serial or Engine Number 5110 Up to Serial or Engine Number 7418
1	1616384M91	1	Auger	(A) Up to Serial or Engine Number 5110
1	1615870M91	1	Auger	(A,J) Up to Serial or Engine Number 7418
1	3044756M91	1	Auger	From Serial or Engine Number 7418 (A)
2	13533X	1	Grease Nipple	
3	353429X1	1	Nut Unf	Up to Serial or Engine Number 7418
	353436X1	1	Nut Unf	From Serial or Engine Number 7418
4	353427X1	1	Nut Unf	Up to Serial or Engine Number 7418
	353436X1	1	Nut Unf	From Serial or Engine Number 7418
5	353774X1	1	Washer	Up to Serial or Engine Number 7418
	353775X1	1	Washer	From Serial or Engine Number 7418
6	1615704M1	1	Pulley	Up to Serial or Engine Number 5110
7	MP 1342	1	Key	Up to Serial or Engine Number 7418
	330999X1	1	Key	From Serial or Engine Number 7418
8	1616969M1	1	Clutch	
9	1883765M91	1	Clutch	Up to Serial or Engine Number 5110
10		1	Clutch	(9) Not serviced, order 1883 765 M91
11	795995M1	1	Bush	(9)
12	228987M1	1	Plate	Up to Serial or Engine Number 5110
13	353522X1	5	Bolt Unf	Up to Serial or Engine Number 5110
14	353446X1	5	Lock Washer	Up to Serial or Engine Number 5110
15	353916X1	5	Nut Unf	Up to Serial or Engine Number 5110
16	794933M1	1	Spring	Up to Serial or Engine Number 5110
17	230239M1	1	Bearing	Up to Serial or Engine Number 5110
18	230240M1	1	Washer	Up to Serial or Engine Number 5110
19	22691X	1	Flange	Up to Serial or Engine Number 5110
20	353134X1	1	Bearing Assy	Up to Serial or Engine Number 5110
21	22691X	1	Flange	Up to Serial or Engine Number 5110
22	240717M1	1	Washer	Up to Serial or Engine Number 5110
23	353446X1	3	Lock Washer	Up to Serial or Engine Number 5110
24	353916X1	3	Nut Unf	Up to Serial or Engine Number 5110
29	1615882M1	1	Clutch	From Serial or Engine Number 5110
30	353682X1	5	Screw Unc	From Serial or Engine Number 5110
31	338688X1	5	Washer	From Serial or Engine Number 5110
32	1615887M1	1	Bush	From Serial or Engine Number 5110
33	1615914M1	1	Spring	From Serial or Engine Number 5110
34	1615883M1	1	Pulley	From Serial or Engine Number 5110
35	1615885M1	1	Bearing	From Serial or Engine Number 5110
36	1615886M1	1	Washer	From Serial or Engine Number 5110
37	1615881M1	1	Support	From Serial or Engine Number 5110
38	353519X1	4	Screw Unf	From Serial or Engine Number 5110
39	338688X1	4	Washer	From Serial or Engine Number 5110
40	658156M1	1	Bearing Ball	From Serial or Engine Number 5110
41	1615884M1	1	Washer	From Serial or Engine Number 5110
42	355988X1	1	Snapping	From Serial or Engine Number 5110
43	353521X1	1	Bolt Unf	From Serial or Engine Number 5110
44	338688X1	2	Washer	From Serial or Engine Number 5110
45	353916X1	1	Nut Unf	From Serial or Engine Number 5110
48	791072M3	1	Sprocket	
49	361301X1	1	Dowel	
50	227872M1	1	Mounting	
51	353446X1	5	Lock Washer	
52	353916X1	5	Nut Unf	
53	240717M1	1	Washer	
54	22691X	1	Flange	
55	353134X1	1	Bearing Assy	
56	22691X	1	Flange	
57	832149M1	3	Bolt	
58	353434X1	3	Lock Washer	
59	353431X1	3	Nut Unf	
64	233989M91	1	Pulley	
	792397M91	1	Pulley	(B)
65	228998M1	1	Hub	

RETURN ELEVATOR AND SLIP CLUTCH

Item	Part Number	Qty	Description	Comments
66	MP 1563	1	Key Door	
67	353747X1	2	Screw Unc	
68	375110X1	2	Nut Unc	
69	353519X1	3	Screw Unf	
70	353446X1	3	Lock Washer	
71	353916X1	3	Nut Unf	
77	788196M91	1	Elevator	
78	794486M91	1	Bottom	
79	230882M91	2	Latch	
80	353517X1	2	Screw Unf	
81	353446X1	2	Lock Washer	
82	353755X1	2	Washer	
83	353517X1	2	Screw Unf	
84	353446X1	2	Lock Washer	
85	353755X1	2	Washer	
86	353916X1	2	Nut Unf	
92	793768M91	1	Cap	
93	353755X1	2	Washer	
94	353446X1	2	Lock Washer	
95	353916X1	2	Nut Unf	
96	831641M1	2	Bolt	
97	353757X1	2	Washer	
98	788292M91	1	Shield	
99	788877M1	3	Stud	
100	788392M1	3	Washer	
105	228985M91	1	Plate	
106	354484X1	4	Bolt Unf	
107	353755X1	4	Washer	
108	353446X1	4	Lock Washer	
109	353916X1	4	Nut Unf	
110	22632X	1	Flange	
111	353152X1	1	Bearing	
112	22632X	1	Flange	
113	355727X1	3	Bolt Unf	
114	353446X1	3	Lock Washer	
115	353916X1	3	Nut Unf	
116	22632X	1	Flange	
117	353152X1	1	Bearing	
118	22632X	1	Flange	
119	353727X1	3	Screw Unc	
120	353446X1	3	Lock Washer	
121	353916X1	3	Nut Unf	
127	795463M2	1	Shaft	
128	794445M2	1	Sprocket	
129	360237X1	1	Spirol Pin	
130	228985M91	1	Plate	
131	354484X1	4	Bolt Unf	
132	353755X1	4	Washer	
133	353446X1	4	Lock Washer	
134	353916X1	4	Nut Unf	
137	795462M91	1	Chain	(C,E)
137	1855575M91	1	Chain	(A,D)
138	329797M91	2	Connecting Link	(137)
138	329951M91	X	Link	(F) (137)
139	329176M91	11	Link	(G) (137)
139	329949M91	21	Link	(F) (137)
140	329762M91	11	Link	(G) (137)
140	329961M91	11	Link	(F) (137)
141	329798M92	1	Link	(G) (137)
141	329952M91	3	Link	(F) (137)
142	794392M2	11	Scraper	(G) (137) (F)

**RETURN ELEVATOR AND SLIP CLUTCH**

Item	Part Number	Qty	Description	Comments
142	788024M1	1	Scraper	(137) (G)
143	363431X1	22	Rivet	(137)
144	785202M1	11	Pad	(137) (F)
144	788023M1	11	Pad	(137) (G)
151	227460M1	1	Pulley	
152	353570X1	1	Bolt Unf	
153	353772X1	1	Washer	
154	764326M1	1	Washer	
155	353772X1	1	Washer	
156	353442X1	1	Washer	
157	353426X1	1	Nut Unf	
158	795514M4	1	Belt	
158	795582M2	1	Belt	(B)

(A)  
RICE MACHINES

(B)  
LOW SPEED SLINGER

(C)  
GRAIN/MAIZE MACHINES-UP TO SERIAL NO 1694

(D)  
GRAIN/MAIZE MACHINES-FROM SERIAL NO 1694

(E)  
NO LONGER SERVICED,ORDER 1855 575 M91

(F)  
COMONENT OF 795 462 M92

(G)  
COMPONENT OF 1855 575 M91

(H)  
NO LONGER SERVICED USE 3044 751 M91 ,353 436 X1 -2 AND 353 775 X1

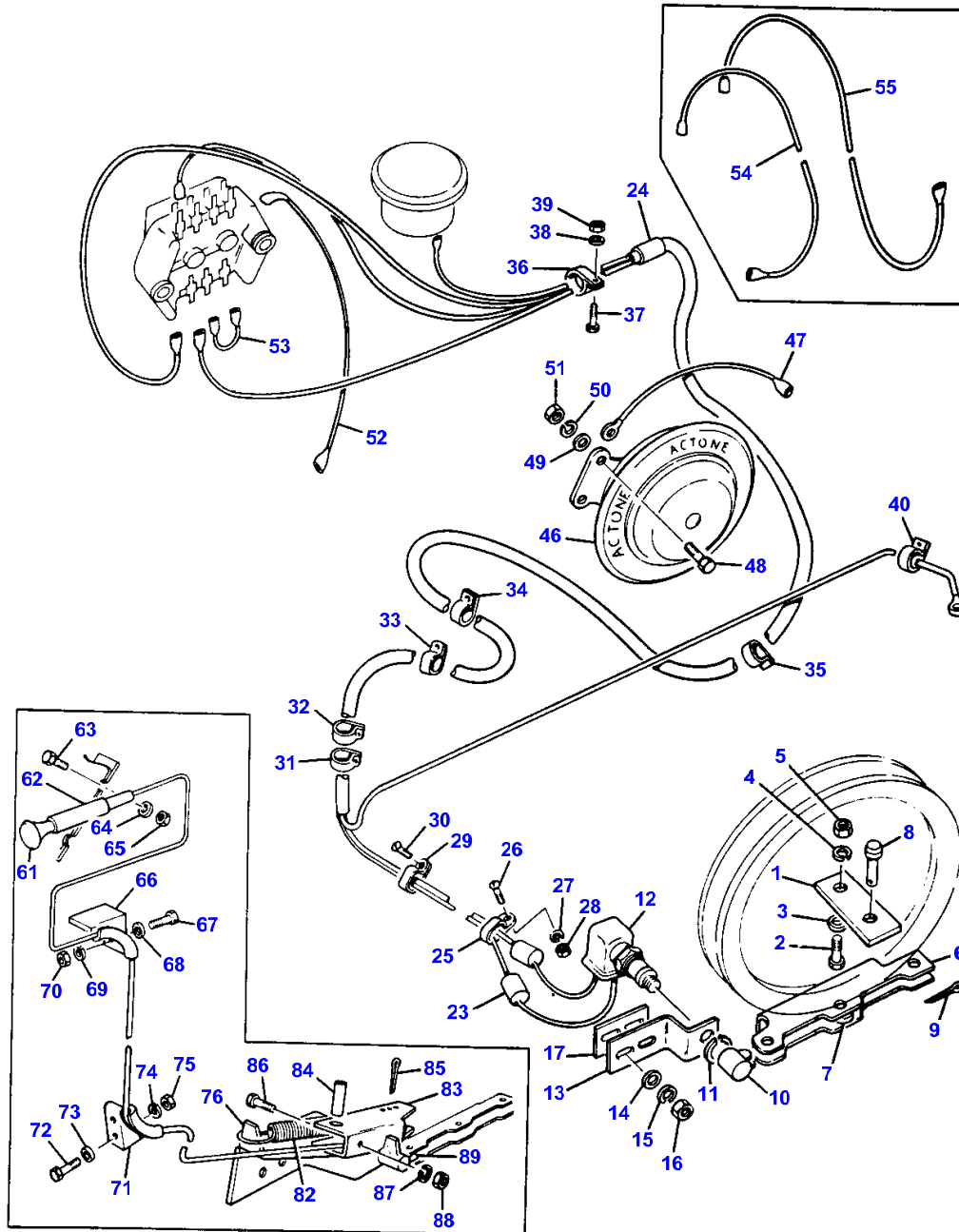
(J)  
NO LONGER SERVICED USE 3044 756 M91 ,353 436 X1 -2 AND 353 775 X1

516

RETURN ELEVATOR ALARM ARRANGEMENT  
 AVERTISSEUR DE ROURRAGE  
 WARNANLAGE UEBERKEHRELEVATOR  
 DISPOSITIVO ALLARME PER ELEVATORE DI RITORNO  
 SISTEMA ALARMA RETORNO ELEVADOR

26803001

3-2680-001-A



PRINTED IN U.K.

520 525

819611-H (1)

RETURN ELEVATOR ALARM ARRANGEMENT

Item	Part Number	Qty	Description	Comments
1	230886M1	1	Strap	
2	353517X1	1	Screw Unf	
3	353755X1	1	Washer	
4	353446X1	1	Lock Washer	
5	353916X1	1	Nut Unf	
6	796215M1	1	Lever	
7	360698X1	1	Spacer	
8	832297M1	3	Clevis Pin	
9	354039X1	3	Cotter	
10	228644M1	1	Fork	
11	359404X1	1	Lock Washer	
12	784697M91	1	Switch	
13	796216M1	1	Bracket	For France only or any text in French only
14	353755X1	2	Washer	
15	353446X1	2	Lock Washer	
16	355565X1	2	Nut Unc	From Serial or Engine Number 3600
17	1615888M2	4	Shim	From Serial or Engine Number 5110
23	850641	2	Connector	(B) Up to Serial or Engine Number 1987
24	783325M92	1	Harness	Up to Serial or Engine Number 2017
	1615657M3	1	Harness	From Serial or Engine Number 2017
25	1855137M1	1	Clamp	
26	357433X1	1	Screw Unc	
27	353441X1	1	Lock Washer	
28	354119X1	1	Nut Unc	
29	360081X1	1	Clamp	
30	355862X1	1	Screw	
31	360043X1	1	Clip	
32	787100M1	5	Clip	Up to Serial or Engine Number 1987
33	783262M2	1	Clip	
34	787100M1	1	Clip	
35	360043X1	2	Clip	
36	360043X1	1	Clip	
37	353970X1	1	Screw Unc	
38	353441X1	1	Lock Washer	
39	355564X1	1	Nut Unc	
40	360049X1	1	Clamp	
46	794220M1	1	Horn	
47	794221M2	1	Wire	Up to Serial or Engine Number 1987
48	353508X1	2	Bolt Unf	Up to Serial or Engine Number 1987
49	353754X1	2	Washer	Up to Serial or Engine Number 1987
50	353441X1	2	Lock Washer	
51	353918X1	2	Nut Unf	Up to Serial or Engine Number 1987
52	783328M94	1	Wire	
53	783447M93	1	Wire	
54	783243M92	1	Wire	Up to Serial or Engine Number 2017
55	783329M92	1	Wire	Up to Serial or Engine Number 2017
61	240760M1	1	Cable	(A)
62	912658M91	1	Guide	(A)
63	353501X1	2	Screw Unf	(A)
64	353441X1	2	Lock Washer	(A)
65	353918X1	2	Nut Unf	Up to Serial or Engine Number 1987
66	240764M1	1	Guide	(A)
67	353503X1	2	Screw Unf	(A)
68	353754X1	2	Washer	(A)
69	353441X1	2	Lock Washer	(A)
70	353918X1	2	Nut Unf	(A)
71	240764M1	1	Guide	(A)
72	353503X1	2	Screw Unf	(A)
73	353754X1	2	Washer	(A)
74	353441X1	2	Lock Washer	(A)
75	353918X1	2	Nut Unf	(A)
76	240766M91	1	Bracket	(A)
82	Z 250	1	Spring	(A)
83	240771M1	1	Arm	(A)
84	354048X1	1	Pin	(A)
85	354061X1	1	Pin	(A)
86	353973X1	1	Screw Unc	(A)
87	353441X1	1	Lock Washer	(A)
88	355564X1	1	Nut Unc	(A)



**MASSEY FERGUSON**  
**MF 520/525 COMBINES - 819611**

**819611**

**516**

**RETURN ELEVATOR ALARM ARRANGEMENT**

<b>Item</b>	<b>Part Number</b>	<b>Qty</b>	<b>Description</b>	<b>Comments</b>
89	240765M1	1	Fork	(A)
				(A) WITH RESET
				(B) SUPPLIED BY LUCAS

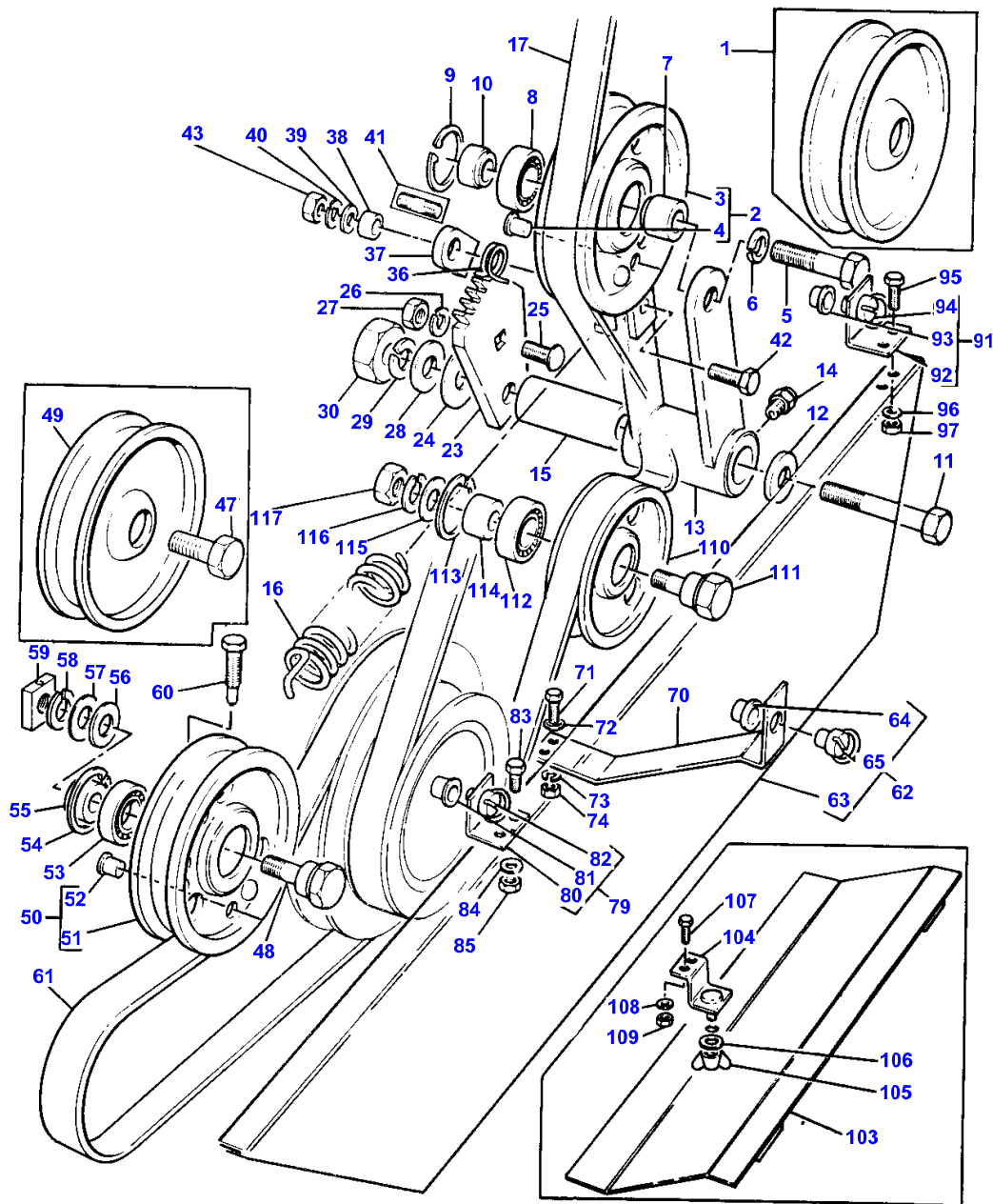
520

DRIVE AND GUARDS  
 COMMANDES ET GARANTS  
 SPANNROLLEN UND SCHUTZBLECH  
 TRASMISSIONI E DIFESE  
 MANDO Y DE FENSAS DEL

LH  
 G  
 LINK SEITE  
 SINISTRE  
 LI

20783001

3-2078-001-A



**DRIVES AND GUARDS LH**

Item	Part Number	Qty	Description	Comments
1	789471M1	1	Pulley	Up to Serial or Engine Number 658
2	617746M91	1	Pulley	From Serial or Engine Number 658
3		1	Pulley	(2) Not serviced, order 617 746 M91
4	203417M1	X	Rivet	(2) 5/16"/ 7.9MM.
4	203381M1	X	Rivet	(2) 3/8" / 9.5MM.
4	203382M1	X	Rivet	(2) 7/16"/11.1MM.
4	203383M1	X	Rivet	(2) 1/2" /12.7MM.
4	203384M1	X	Rivet	(2) 9/16"/14.3MM.
5	353621X1	1	Bolt Unf	
6	353433X1	1	Lock Washer	
7	353760X1	1	Flat Washers	Up to Serial or Engine Number 658
	795186M1	1	Spacer	From Serial or Engine Number 658
8	339581X1	1	Bearing Ball	From Serial or Engine Number 658
9	208230M1	1	Ring	From Serial or Engine Number 658
10	789857M1	1	Spacer	Up to Serial or Engine Number 658
	795185M1	1	Spacer	From Serial or Engine Number 658
11	353635X1	1	Bolt Unf	
12	353760X1	1	Flat Washers	
13	795170M92	1	Carrier	
14	200191M1	1	Nipple	
15	795188M1	1	Sleeve	
16	1855138M1	1	Spring	
17	1615254M1	1	Belt	
23	795189M1	1	Ratchet	
24	785344M1	X	Shim	
25	353794X1	1	Bolt Unf	
26	353446X1	1	Lock Washer	
27	353916X1	1	Nut Unf	
28	353760X1	1	Flat Washers	
29	353433X1	1	Lock Washer	
30	227974M1	1	Nut	
36	795187M1	1	Spring	
37	913466M1	1	Pawl	
38	795183M1	1	Bush	
39	353756X1	1	Washer	
40	353434X1	1	Lock Washer	
41	795182M1	1	Stud	Up to Serial or Engine Number 658
42	353541X1	1	Bolt Unf	From Serial or Engine Number 658
43	353431X1	1	Nut Unf	
47	353619X1	1	Bolt Unf	Up to Serial or Engine Number 658
48	795549M1	1	Trunnion	From Serial or Engine Number 658
49	789472M1	1	Pulley	Up to Serial or Engine Number 658
50	796909M91	1	Pulley	From Serial or Engine Number 658
51		1	Pulley	(50) Not serviced, order 796 909 M91
52	203417M1	X	Rivet	(50) 5/16"/ 7.9MM.
52	203381M1	X	Rivet	(50) 3/8" / 9.5MM.
52	203382M1	X	Rivet	(50) 7/16"/11.1MM.
52	203383M1	X	Rivet	(50) 1/2" /12.7MM.
52	203384M1	X	Rivet	(50) 9/16"/14.3MM.
53	339581X1	1	Bearing Ball	From Serial or Engine Number 658
54	208230M1	1	Ring	From Serial or Engine Number 658
55	304337M1	1	Spacer	From Serial or Engine Number 658
56	789858M1	X	Spacer	
57	353760X1	1	Flat Washers	
58	353433X1	1	Lock Washer	
59	792405M1	1	Nut	
60	796929M2	1	Bolt	
61	784796M2	1	Belt	

DRIVES AND GUARDS LH

Item	Part Number	Qty	Description	Comments
62	783260M91	1	Shield	
63		1	Shield	(62) Not serviced, order 783 260 M91
64	788392M1	1	Washer	(62)
65	788877M1	1	Stud	(62)
70	783245M92	1	Bracket	
70	1855954M91	1	Bracket	(C)
71	353517X1	2	Screw Unf	
71	353518X1	2	Screw Unf	(C)
72	353755X1	2	Washer	(C)
73	353446X1	2	Lock Washer	
74	353916X1	2	Nut Unf	
79	783256M91	1	Bracket	
80		1	Bracket	(79) Not serviced, order 783 256 M91
81	788392M1	1	Washer	(79)
82	788877M1	1	Stud	(79)
83	353517X1	2	Screw Unf	
84	353446X1	2	Lock Washer	
85	353916X1	2	Nut Unf	
91	783258M91	1	Bracket	
92		1	Bracket	(91) Not serviced, order 783 258 M91
93	788392M1	1	Washer	(91)
94	788877M1	1	Stud	(91)
95	353517X1	2	Screw Unf	
96	353446X1	2	Lock Washer	
97	353916X1	2	Nut Unf	
103	784944M91	1	Shield	(A,D)
104	784946M91	2	Angle	(A,D)
105	355583X1	2	Nut Unf	(A,D)
106	353755X1	2	Washer	(A,D)
107	353518X1	4	Screw Unf	(A,D)
108	353446X1	4	Lock Washer	(A,D)
109	353916X1	4	Nut Unf	(A,D)
110	213736M1	1	Pulley	From Serial or Engine Number 1376
111	227964M1	1	Bolt	From Serial or Engine Number 1376
112	339581X1	1	Bearing Ball	From Serial or Engine Number 1376
113	208230M1	1	Ring	From Serial or Engine Number 1376
114	786039M2	1	Spacer	From Serial or Engine Number 1376
115	789858M1	1	Spacer	From Serial or Engine Number 1376
116	353433X1	1	Lock Washer	From Serial or Engine Number 1376
117	353427X1	1	Nut Unf	From Serial or Engine Number 1376

(A)  
MAIZE MACHINES

(C)  
RICE MACHINES

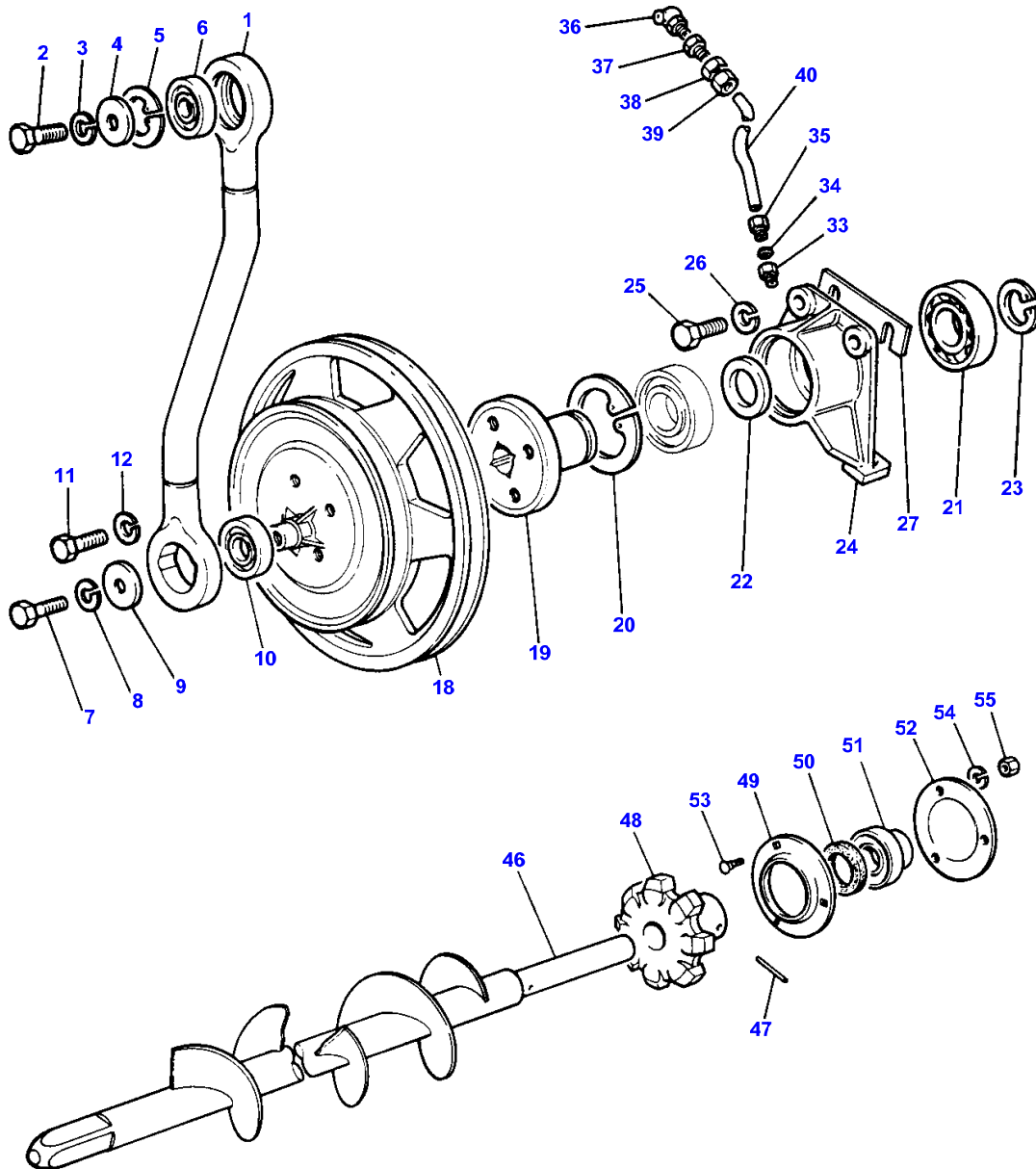
(D)  
INCLUDED IN KITS 784 966 M92, 1855 407 M92,-1855 4 08 M92 AND 1855 409 M92

526

AUGER AND PITMAN CRANK  
 VIS A GRAIN ET COMMANDE COFFRE DE NETTOYAGE  
 SCHNECKE UND KURBELSTANGE  
 COCLEA E DISINNESTO RINVIO  
 SINFIN Y CORONA PITMAN

26853001

3-2685-001-A



PRINTED IN U.K.

520 525

819611

AUGER AND PITMAN CRANK - UP TO SERIAL NUMBER 6133

Item	Part Number	Qty	Description	Comments
				UP TO SERIAL NUMBER 6133
1	787890M93	1	Pitman	
2	353699X1	1	Screw Unc	
3	353432X1	1	Lock Washer	
4	667957M1	1	Washer	
5	22289X	1	Circlip	
6	204220M1	1	Bearing	
7	353699X1	1	Screw Unc	
8	353432X1	1	Lock Washer	
9	794663M1	1	Washer	
10	831822M1	1	Bearing	
11	353537X1	4	Screw Unf	
12	353434X1	4	Lock Washer	
18	788018M1	1	Pulley	
19	794658M1	1	Hub	
20	353165X1	1	Circlip	
21	377261X1	2	Bearing	
22	794659M1	1	Spacer	
23	762101M1	1	Ring	
24	1855571M3	1	Housing	
25	353561X1	6	Screw Unf	
26	353432X1	6	Lock Washer	
27	795102M1	X	Shim	
33	376795X1	1	Adaptor	
34	376796X1	2	Olive	
35	376797X1	1	Nut	
36	MP 1057	1	Nipple	
37	376790X1	1	Adaptor	
38	376793X1	1	Nut Bsp	
39	376794X1	1	Nut	
40	895718M1	1	Tube	
46	782585M95	1	Auger	
	784853M95	1	Auger	(A)
47	360237X1	1	Spirol Pin	
48	782587M2	1	Sprocket	
49	22691X	2	Flange	
50	794940M1	1	Washer	
51	353134X1	1	Bearing Assy	
52	230763M1	1	Cover	
53	832149M1	3	Bolt	
54	353434X1	3	Lock Washer	
55	353431X1	3	Nut Unf	

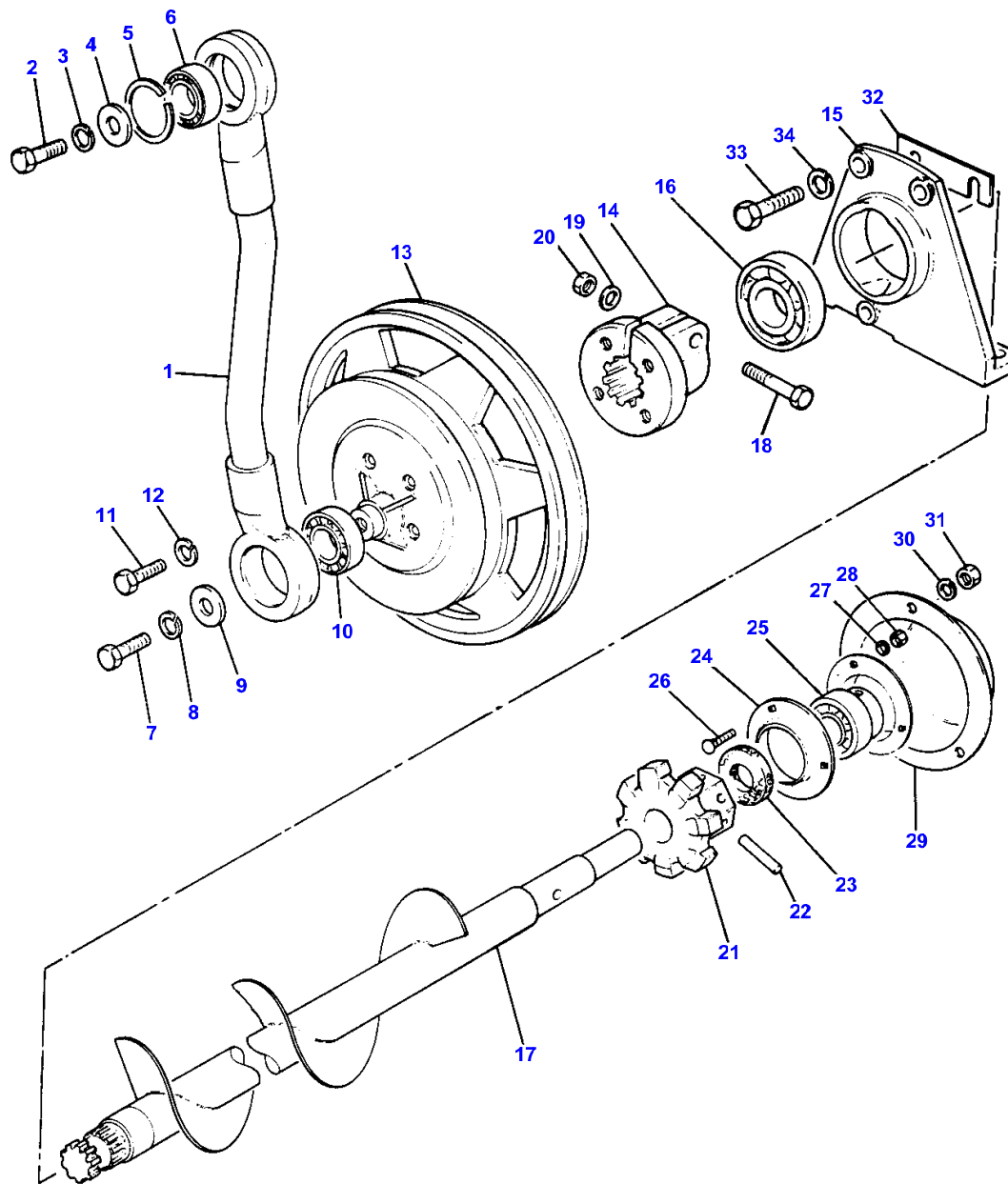
(A)  
RICE MACHINES

528

AUGER AND PITMAN CRANK  
 VIS A GRAIN ET COMMANDE COFFRE DE NETTOYAGE  
 SCHNECKE UND KURBELSTANGE  
 COCLEA E DISINNESTO RINVIO  
 SINFIN Y CORONA PITMAN

26853002

3-2685-002-A



PRINTED IN U.K.

520 525

819611-H (1)

**MASSEY FERGUSON  
MF 520/525 COMBINES - 819611**

819611

528

**AUGER AND PITMAN CRANK - FROM SERIAL NUMBER 6133**

Item	Part Number	Qty	Description	Comments
				FROM SERIAL NUMBER 6133
1	1616566M91	1	Pitman	
2	353699X1	1	Screw Unc	
3	353432X1	1	Lock Washer	
4	667957M1	1	Washer	
5	22289X	1	Circlip	
6	831087M1	1	Bearing	
7	353699X1	1	Screw Unc	
8	353432X1	1	Lock Washer	
9	794663M1	1	Washer	
10	831822M1	1	Bearing	
11	353537X1	4	Screw Unf	
12	353434X1	4	Lock Washer	
13	788018M1	1	Pulley	
14	1616571M3	1	Hub	
15	1616570M1	1	Housing	
16	658157M1	1	Bearing Assy	
17	1616576M94	1	Auger	
	1616574M94	1	Auger	(A)
18	367512X1	1	Bolt Unf	
19	338686X1	1	Washer	
20	353437X1	1	Nut Unf	
21	1616583M1	1	Sprocket	
22	360222X1	1	Pin	
23	794940M1	1	Washer	
24	22691X	2	Flange	
25	353134X1	1	Bearing Assy	
26	832149M1	3	Bolt	
27	353434X1	3	Lock Washer	
28	353431X1	3	Nut Unf	
29	1616855M1	1	Cover	
30	353434X1	3	Lock Washer	
31	353431X1	3	Nut Unf	
32	795102M1	X	Shim	
33	353561X1	6	Screw Unf	
34	353432X1	6	Lock Washer	

(A)  
RICE MACHINES

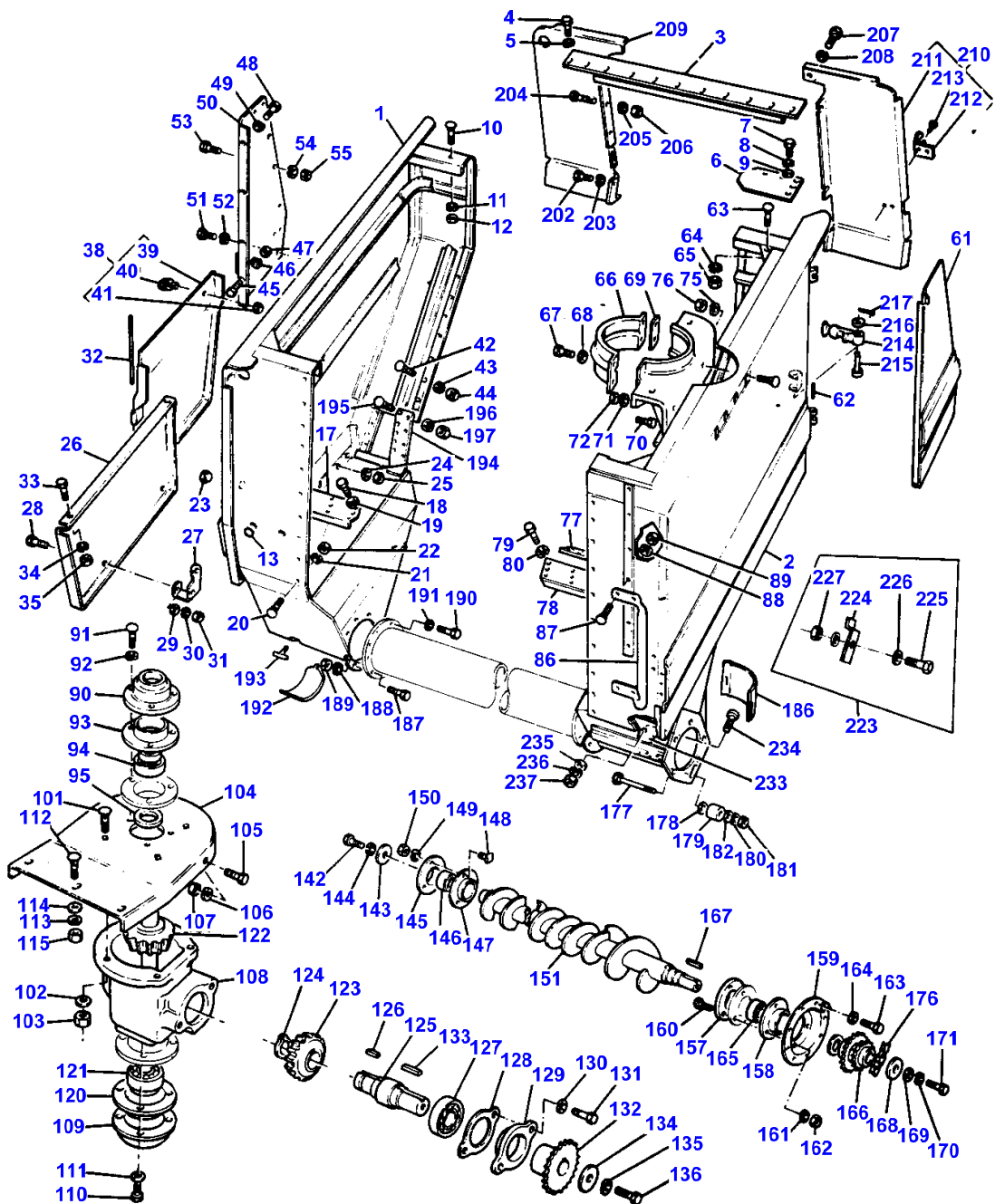


530

GRAIN TANK  
 RESERVOIR A GRAIN  
 KORNTANK  
 SERBATOIO GRANO  
 TANQUE DE GRANO

26203001

3-2620-001-A



PRINTED IN U.K.

520 525

819611-H (1)

GRAIN TANK

Item	Part Number	Qty	Description	Comments
1	783456M95	1	Tank	Right Hand
2	783457M95	1	Tank	Left Hand
3	912822M91	1	Member	
4	353516X1	6	Screw Unf	
5	353446X1	6	Lock Washer	
6	1855672M1	1	Plate	Right Hand
	1855618M1	1	Plate	Left Hand
7	353516X1	8	Screw Unf	
8	353446X1	8	Lock Washer	
9	353755X1	4	Washer	
10	359998X1	X	Bolt Unf	
11	353446X1	X	Lock Washer	
12	353916X1	X	Nut Unf	
13	359359X1	2	Plug	
17	910108M1	2	Cover	
18	353501X1	16	Screw Unf	
19	353441X1	16	Lock Washer	
20	359998X1	X	Bolt Unf	
21	353446X1	X	Lock Washer	
22	353916X1	X	Nut Unf	
23	359380X1	1	Plug	
24	353446X1	6	Lock Washer	
25	353916X1	6	Nut Unf	
26	784481M92	1	Shield	
27	912201M1	1	Bracket	
28	353517X1	2	Screw Unf	
29	353755X1	2	Washer	
30	353446X1	2	Lock Washer	
31	353916X1	2	Nut Unf	
32	912338M1	1	Pin	
33	353916X1	X	Nut Unf	
34	353446X1	X	Lock Washer	
35	353916X1	X	Nut Unf	
38	784961M91		Shield	
39		1	Shield	(38) Not serviced, order 784961M91
40	788877M1	2	Stud	(38)
41	788392M1	2	Washer	(38)
42	359998X1	15	Bolt Unf	
43	353446X1	15	Lock Washer	
44	353916X1	15	Nut Unf	
45	353516X1	2	Screw Unf	
46	353446X1	2	Lock Washer	
47	353916X1	2	Nut Unf	
48	353516X1	2	Screw Unf	
49	353446X1	2	Lock Washer	
50	912816M91	1	Panel	
51	353516X1	2	Screw Unf	
52	353446X1	2	Lock Washer	
53	359998X1	6	Bolt Unf	
54	353446X1	6	Lock Washer	
55	353916X1	6	Nut Unf	
61	783716M94	1	Door	Up to Serial or Engine Number 1248
	617860M92	1	Door	From Serial or Engine Number 1248
62	784462M2	2	Pin	
63	359998X1	X	Bolt Unf	
64	353446X1	X	Lock Washer	
65	353916X1	X	Nut Unf	
66	787411M1	1	Bracket	
67	353691X1	4	Screw Unc	
68	353434X1	4	Lock Washer	
70	353540X1	2	Screw Unf	
71	353434X1	2	Lock Washer	
72	353431X1	2	Nut Unf	
73	787415M1	1	Housing	
74	353801X1	5	Bolt Unf	
	353810X1	1	Bolt Unf	
75	353434X1	6	Lock Washer	
76	353431X1	6	Nut Unf	
77	794496M1	1	Cover	

GRAIN TANK

Item	Part Number	Qty	Description	Comments
78	795425M1	1	Cover	
79	353501X1	X	Screw Unf	
80	353441X1	X	Lock Washer	
86	783758M1	1	Handle	
87	359998X1	12	Bolt Unf	
88	353446X1	12	Lock Washer	
89	353916X1	12	Nut Unf	
90	230750M1	1	Shield	
91	353517X1	3	Screw Unf	
92	353446X1	3	Lock Washer	
93	831834M1	2	Flange	
94	831929M1	1	Bearing Assy	
95	224256M1	-	Shim	
101	353828X1	4	Bolt Unf	
102	353432X1	4	Lock Washer	
103	353426X1	4	Nut Unf	
104	1615712M91	1	Bottom	
105	353516X1	X	Screw Unf	
106	353446X1	X	Lock Washer	
107	353916X1	X	Nut Unf	
108	228860M2	1	Housing	
109	787774M1	1	Plate	Up to Serial or Engine Number 3753
109	226684M1	1	Cover	(D) From Serial or Engine Number 3753
110	353677X1	3	Screw Unc	Up to Serial or Engine Number 3753
110	353678X1	3	Screw Unc	(D) From Serial or Engine Number 3753
111	353446X1	3	Lock Washer	
112	353791X1	3	Bolt Unf	
113	353446X1	3	Lock Washer	
114	353755X1	3	Washer	
115	353916X1	3	Nut Unf	
120	831834M1	2	Flange	(D) From Serial or Engine Number 3753
121	831929M1	1	Bearing Assy	(D) From Serial or Engine Number 3753
122	1616355M92	1	Shaft	(D) From Serial or Engine Number 3753
123	238979M1	1	Gear	
124	208505M1	1	Circlip	
125	912848M1	1	Shaft	
126	359039X1	1	Key	
127	204220M1	2	Bearing	
128	224024M1	X	Shim	
129	794939M1	1	Cap	
130	353432X1	2	Lock Washer	
131	353699X1	2	Screw Unc	
132	912851M91	1	Sprocket	Up to Serial or Engine Number 3753
133	MP 1396	1	Key Door	
134	667957M1	1	Washer	
135	353432X1	1	Lock Washer	
136	353559X1	1	Screw Unf	
142	353559X1	1	Screw Unf	
143	667957M1	1	Washer	
144	353432X1	1	Lock Washer	
145	831834M1	1	Flange	
146	831087M1	1	Bearing	
147	238202M91	1	Flange	
149	353446X1	3	Lock Washer	
150	353916X1	3	Nut Unf	
151	795406M92	1	Auger	
152	1855372M91	1	Auger	(B)
157	228879M1	2	Shield	
158	22691X	1	Flange	
159	238731M91	1	Flange	
160	353807X1	3	Screw Unf	
161	353434X1	3	Lock Washer	
162	353431X1	3	Nut Unf	
163	353516X1	6	Screw Unf	
164	353446X1	6	Lock Washer	

GRAIN TANK

Item	Part Number	Qty	Description	Comments
165	831087M1	1	Bearing	
166	782641M91	1	Sprocket	
167	MP 1396	1	Key Door	
168	832406M1	3	Washer	
169	832107M1	1	Washer	
170	359404X1	1	Lock Washer	
176	833374M91	1	Chain	(A)
177	353575X1	1	Bolt Unf	
178	GN 3011	2	Washer	
179	784534M1	1	Block	
180	353432X1	1	Lock Washer	
181	353426X1	1	Nut Unf	
182	353757X1	1	Washer	
186	228952M91	1	Door	
187	353516X1	X	Screw Unf	
188	353446X1	X	Lock Washer	
189	353916X1	X	Nut Unf	
190	353516X1	X	Screw Unf	
191	353446X1	X	Lock Washer	
192	230876M91	1	Door	
193	230882M91	2	Latch	
194	784529M91	1	Plate	
195	359998X1	X	Bolt Unf	
196	353446X1	X	Lock Washer	
197	353916X1	X	Nut Unf	
202	353516X1	4	Screw Unf	
203	353446X1	4	Lock Washer	
204	359998X1	6	Bolt Unf	
205	353446X1	6	Lock Washer	
206	353916X1	6	Nut Unf	
207	353516X1	2	Screw Unf	
208	353446X1	2	Lock Washer	
209	1855247M92	1	Panel	Right Hand
209	782807M93	1	Panel	(C)
210	783724M93	1	Panel	Right Hand Left Hand
210	782736M93	1	Panel	Up to Serial or Engine Number 1248 Left Hand
210	617862M91	1	Panel	Up to Serial or Engine Number 1248 Left Hand
211		1	Panel	From Serial or Engine Number 1248 (210) Not serviced, order 1615253M91
212	403659M1	1	Angle	(210)
213	29017X	2	Rivet	(210)
214	403657M1	1	Fastener	
215	403660M1	1	Pin	
216	390146X1	1	Washer Metric	
217	390147X1	1	Pin	
224	1855759M1	1	Catch	(223) Up to Serial or Engine Number 1248
225	375391X1	1	Screw	(223) Up to Serial or Engine Number 1248
226	353753X1	2	Washer	(223) Up to Serial or Engine Number 1248
227	375276X1	1	Nut Unf	(223) Up to Serial or Engine Number 1248
233	1855466M2	1	Plate	(B)
234	353791X1	9	Bolt Unf	(B)
235	353755X1	9	Washer	
236	353446X1	9	Lock Washer	(B)
237	353916X1	9	Nut Unf	(B)
				(A) FOR BREAKDOWN REFER CHAINS SECTION
				(B) RICE COMBINES ONLY
				(C)

GRAIN TANK

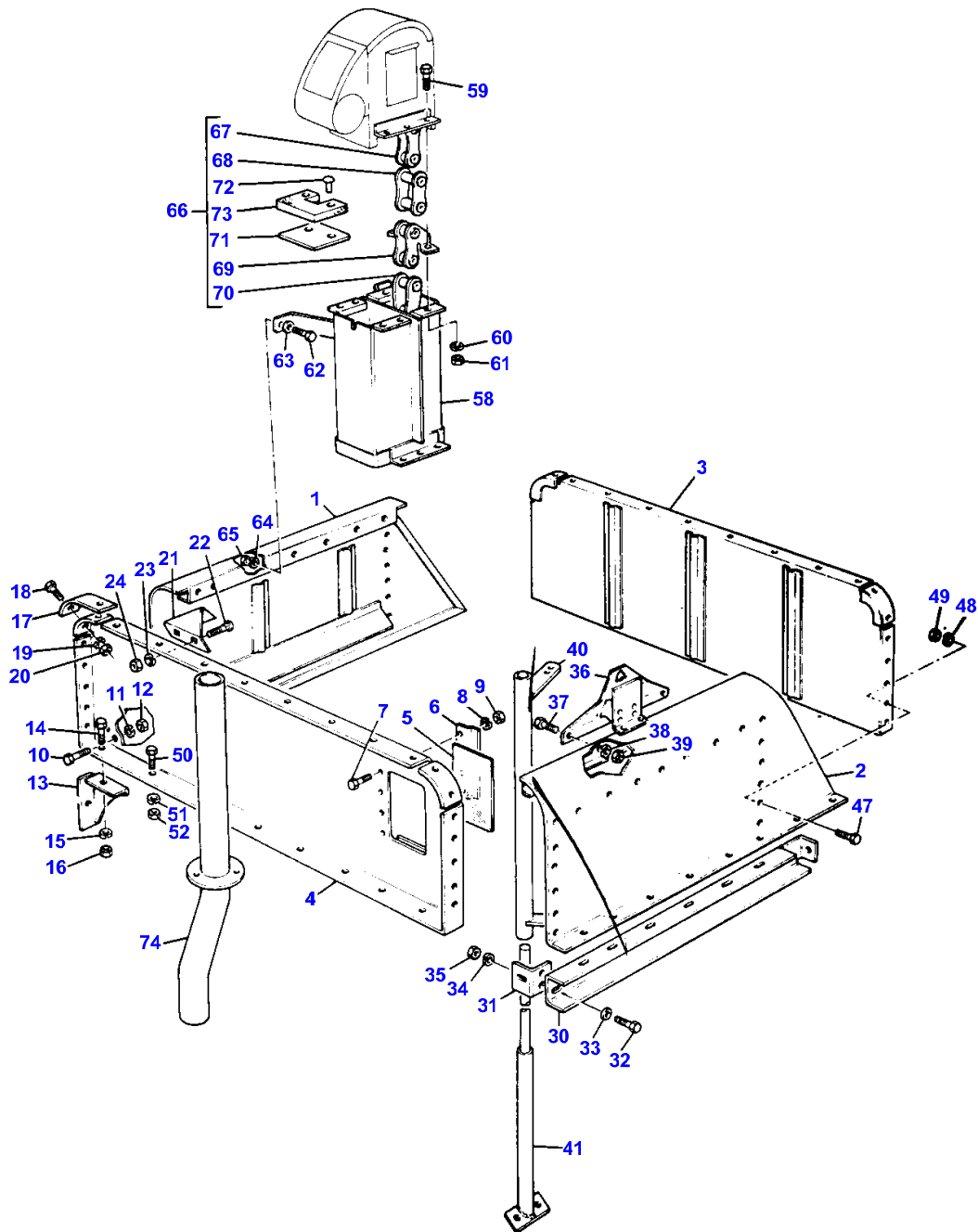
Item	Part Number	Qty	Description	Comments
				MULTI FLOW COMBINES ONLY
				(D) INCLUDED IN KIT 1616365M91

540

GRAIN TANK AND ELEVATOR EXTENSION  
 RESERVOIR A GRAIN ET ELEVATEUR  
 KORNTANK UND ELEVATORVERLAENGERUNG  
 SERBATOIO GRANO E PROLUNGA ELEVATORE  
 EXTENSION DEL ELEVADOR Y TANQUE DEL GRANO

26213001

3-2621-001-A



PRINTED IN U.K.

520 525

819611-H / 11

**GRAIN TANK AND ELEVATOR EXTENSION**

Item	Part Number	Qty	Description	Comments
1	1855491M91	1	Panel	Right Hand
2	1855494M91	1	Panel	Left Hand
3	1855471M92	1	Panel	
4	1855468M92	1	Panel	Up to Serial or Engine Number 2080
	1615801M91	1	Panel	From Serial or Engine Number 2080
5	1615804M1	1	Cover	From Serial or Engine Number 2080
6	1615808M1	1	Runner	From Serial or Engine Number 2080
7	353501X1	4	Screw Unf	From Serial or Engine Number 2080
8	353441X1	4	Lock Washer	From Serial or Engine Number 2080
9	353918X1	4	Nut Unf	From Serial or Engine Number 2080
10	353516X1	6	Screw Unf	
11	353446X1	6	Lock Washer	
12	353916X1	6	Nut Unf	
13	1855484M1	2	Bracket	
14	353516X1	2	Screw Unf	
15	353446X1	2	Lock Washer	
16	353916X1	2	Nut Unf	
17	1855902M1	4	Strip	
18	353516X1	8	Screw Unf	
19	353446X1	8	Lock Washer	
20	353916X1	8	Nut Unf	
21	1855499M1	4	Reinforcement	
22	353516X1	16	Screw Unf	
23	353446X1	16	Lock Washer	
24	353916X1	16	Nut Unf	
30	1855501M1	1	Channel	
31	1855500M1	1	Angle	
32	353516X1	12	Screw Unf	
33	353755X1	12	Washer	
34	353446X1	12	Lock Washer	
36	1855426M91	1	Lever	
	1855496M91	1	Bracket	
37	353516X1	6	Screw Unf	
38	353446X1	6	Lock Washer	
39	353916X1	6	Nut Unf	
40	1855427M91	1	Lever	
41	1855426M91	1	Lever	
47	355150X1	41	Screw Unc	
48	353446X1	41	Lock Washer	
49	355565X1	41	Nut Unc	
50	353516X1	X	Screw Unf	
51	353446X1	X	Lock Washer	
52	353916X1	X	Nut Unf	
58	1855455M91	1	Extension	
59	353517X1	6	Screw Unf	
60	353446X1	6	Lock Washer	
61	353916X1	6	Nut Unf	
62	353516X1	2	Screw Unf	
63	353755X1	2	Washer	
64	353446X1	1	Lock Washer	
65	353916X1	2	Nut Unf	
66	1615081M91	1	Chain	Up to Serial or Engine Number 1694
	1855565M91	1	Chain	From Serial or Engine Number 1694
67	329797M91	X	Connecting Link	(66)
				Up to Serial or Engine Number 1694
67	329951M91	X	Link	(66)
				From Serial or Engine Number 1694
68	782706M1	7	Pad	(61)
				Up to Serial or Engine Number 1393
68	329949M91	14	Link	(66)
				From Serial or Engine Number 1694
69	329762M91	7	Link	(66)
				Up to Serial or Engine Number 1694
69	329961M91	7	Link	(66)
				From Serial or Engine Number 1694
70	329798M92	1	Link	(66)
				Up to Serial or Engine Number 1694
70	329952M91	1	Link	(66)
				From Serial or Engine Number 1694
71	782707M1	1	Scraper	(66)

**GRAIN TANK AND ELEVATOR EXTENSION**

<b>Item</b>	<b>Part Number</b>	<b>Qty</b>	<b>Description</b>	<b>Comments</b>
71	784846M1	7	Scraper	Up to Serial or Engine Number 1694 (66)
72	363431X1	2	Rivet	From Serial or Engine Number 1694 (66)
72	363431X1	14	Rivet	Up to Serial or Engine Number 1694 (66)
73	782706M1	7	Pad	From Serial or Engine Number 1694 (66)
73	784847M1	7	Pad	Up to Serial or Engine Number 1694 (66)
74	914656M91	1	Tube	From Serial or Engine Number 1694

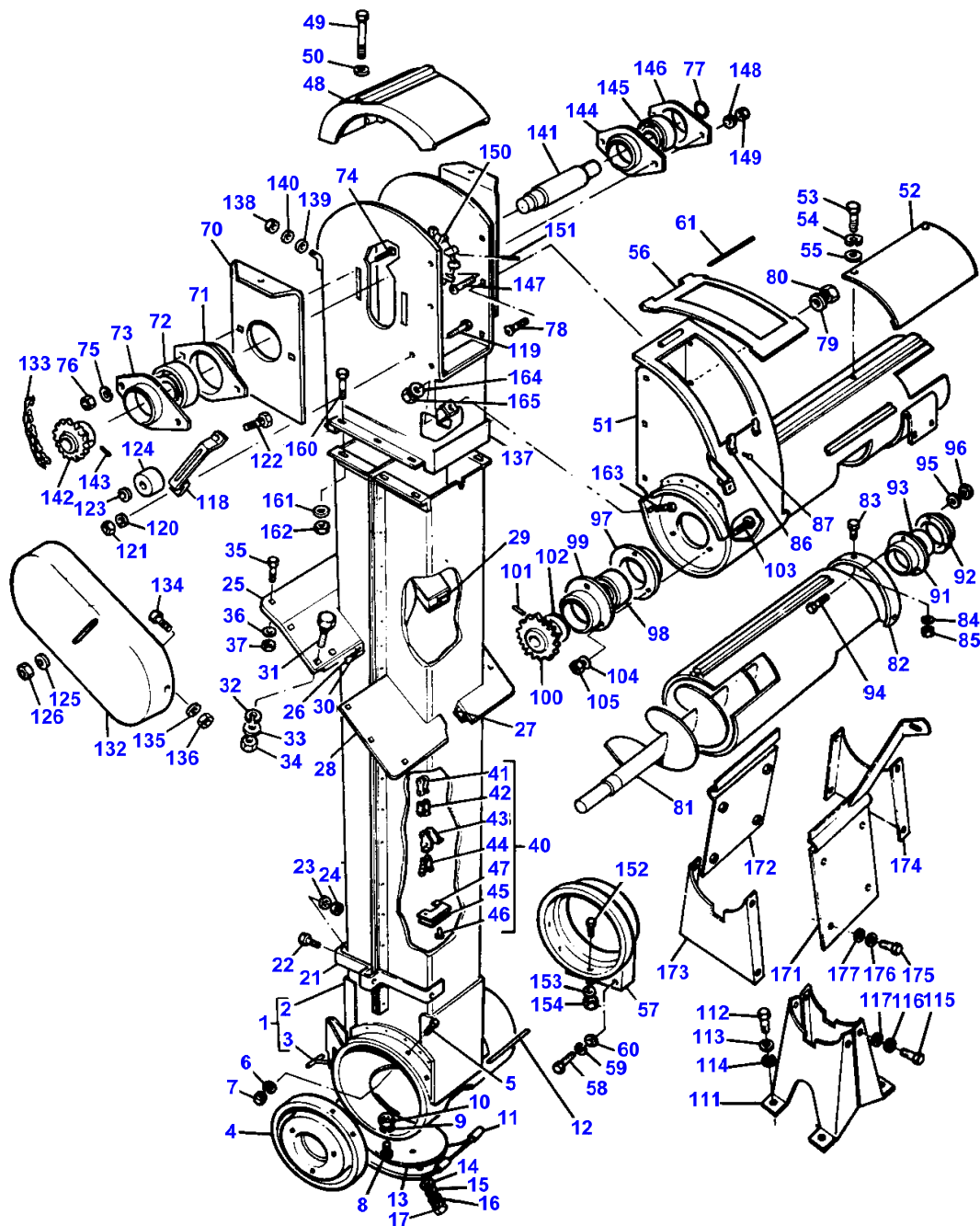


544

GRAIN ELEVATOR  
 ELEVATEUR A GRAIN  
 KOERNERELEVATOR  
 ELEVATORE GRANO  
 ELEVADOR DE GRANO

26253001

3-2625-001-A



PRINTED IN U.K.

520 525

819611-H (1)

GRAIN ELEVATOR

Item	Part Number	Qty	Description	Comments
1	185552M91	1	Elevator	
2		1	Housing	(1) Not serviced, order 1855 52 M91
3	230882M91	1	Latch	(1)
4	242717M2	1	Plate	Up to Serial or Engine Number 6133
	1616857M91	1	Plate	From Serial or Engine Number 6133
5	353517X1	8	Screw Unf	
6	353446X1	8	Lock Washer	
7	353916X1	8	Nut Unf	
8	353516X1	1	Screw Unf	
9	353446X1	1	Lock Washer	
10	353916X1	1	Nut Unf	
11	248547M1	1	Door	
12	363957X1	1	Rod	
13	912946M91	1	Plate	
14	360631X1	2	Washer	
15	355617X1	2	Washer	
16	353441X1	2	Lock Washer	
17	355564X1	2	Nut Unc	
21	619223M1	1	Bracket	
22	353517X1	4	Screw Unf	
23	353446X1	4	Lock Washer	
24	353916X1	4	Nut Unf	
25	1855004M91	1	Cover	
26	248583M1	1	Strip	
27	248555M1	1	Strip	
28	1855000M91	1	Cover	
29	248597M1	1	Strip	
30	912943M1	1	Strip	
31	353792X1	1	Bolt Unf	
32	353446X1	1	Lock Washer	
33	353755X1	1	Washer	
34	353916X1	1	Nut Unf	
35	353792X1	13	Bolt Unf	
36	353446X1	13	Lock Washer	
37	353916X1	13	Nut Unf	
40	617926M91	1	Chain	Up to Serial or Engine Number 1694
	784848M91	1	Chain	(E) From Serial or Engine Number 1694
41	329797M91	1	Connecting Link	(40) (A)
41	329951M91	X	Link	(40) (B)
42	329176M91	30	Link	(40) (A)
42	329949M91	61	Link	(40) (B)
43	329762M91	31	Link	(40) (A)
43	329961M91	31	Link	(40) (B)
44	329798M92	3	Link	(40) (A)
44	329952M91	3	Link	(40) (B)
45	782706M1	31	Pad	(40) (A)
45	784847M1	31	Pad	(40) (B)
46	363431X1	62	Rivet	(40)
47	782707M1	31	Scraper	(40) (A)
47	784846M1	31	Scraper	(40) (B)
48	782678M92	1	Cap	
49	831871M1	2	Screw	
50	353757X1	2	Washer	
51	782694M92	1	Tube	
52	784034M1	1	Shield	
53	353516X1	2	Screw Unf	

GRAIN ELEVATOR

Item	Part Number	Qty	Description	Comments
54	353446X1	2	Lock Washer	
55	353755X1	2	Washer	
56	784804M1	1	Door	
57	1855222M91	1	Tube	
58	353516X1	7	Screw Unf	
59	353446X1	7	Lock Washer	
60	361228X1	7	Washer	
61	365695X1	1	Pin	
70	1855433M91	2	Plate	
71	248556M1	1	Flange	
72	353152X1	1	Bearing	
73	248556M1	1	Flange	
74	353792X1	3	Bolt Unf	
75	353446X1	3	Lock Washer	
76	353916X1	3	Nut Unf	
77	352660X1	1	Ring	
78	359998X1	6	Bolt Unf	
79	353446X1	6	Lock Washer	
80	353916X1	6	Nut Unf	
81	782719M92	1	Auger	
82	782727M1	1	Cap	
83	353515X1	3	Screw Unf	
84	353446X1	3	Lock Washer	
85	353916X1	2	Nut Unf	
86	235115M1	2	Fastener	
87	239465M1	2	Rivet	
91	831164M1	1	Flange	
92	353114X1	1	Bearing	
93	831164M1	1	Flange	
94	353791X1	3	Bolt Unf	
95	353446X1	3	Lock Washer	
96	353916X1	3	Nut Unf	
97	22632X	1	Flange	
98	353152X1	1	Bearing	
99	22632X	1	Flange	
100	914700M91	1	Sprocket	
101	360227X1	1	Pin	
102	365419X1	1	Spacer	
103	353791X1	3	Bolt Unf	
104	353446X1	3	Lock Washer	
105	353916X1	3	Nut Unf	
111	619288M91		Bracket	
112	353516X1	4	Screw Unf	
113	353446X1	4	Lock Washer	
114	353755X1	4	Washer	
115	353516X1	4	Screw Unf	
116	353446X1	4	Lock Washer	
117	353755X1	4	Washer	
118	248571M1	1	Bracket	
119	353792X1	2	Bolt Unf	
120	353446X1	2	Lock Washer	
121	353916X1	2	Nut Unf	
122	353840X1	1	Bolt Unf	
123	GN 3011	1	Washer	
124	248560M1	1	Block	
125	353757X1	2	Washer	
126	353426X1	1	Nut Unf	
132	619217M91	1	Shield	
133	1855025M91	1	Chain	(C)
134	353517X1	1	Screw Unf	
135	353446X1	1	Lock Washer	
136	353916X1	1	Nut Unf	
137	782680M93	1	Head	
138	353916X1	2	Nut Unf	
139	353755X1	2	Washer	
140	353446X1	2	Lock Washer	
141	914772M1	1	Shaft	
142	914700M91	1	Sprocket	
143	360227X1	1	Pin	
144	248556M1	1	Flange	

GRAIN ELEVATOR

Item	Part Number	Qty	Description	Comments
145	353152X1	1	Bearing	
146	248556M1	1	Flange	
147	353792X1	3	Bolt Unf	
148	353446X1	3	Lock Washer	
149	353916X1	3	Nut Unf	
150	794445M2	1	Sprocket	
151	360237X1	1	Spirol Pin	
152	353516X1	2	Screw Unf	
153	353446X1	2	Lock Washer	
154	353916X1	2	Nut Unf	
160	353517X1	6	Screw Unf	
161	353446X1	6	Lock Washer	
162	353916X1	6	Nut Unf	
163	353517X1	1	Screw Unf	
164	353446X1	1	Lock Washer	
165	353916X1	1	Nut Unf	
171	784779M91	1	Side	(D)
172	784782M91	1	Side	(D)
173	784783M1	1	Cover	(D)
174	784784M1	1	Cover	(D)
175	353516X1	8	Screw Unf	(D)
176	353755X1	8	Washer	(D)
177	353446X1	8	Lock Washer	(D)

(A)  
COMPONENT OF 617 926 M91

(B)  
COMPONENT OF 784 848 M91

(C)  
FOR SERVICE BREAKDOWN REFER TO CHAIN SECTION

(D)  
BASIC EQUIPMENT GERMANY ONLY - ACCESSORY OTHER TERRITORIES

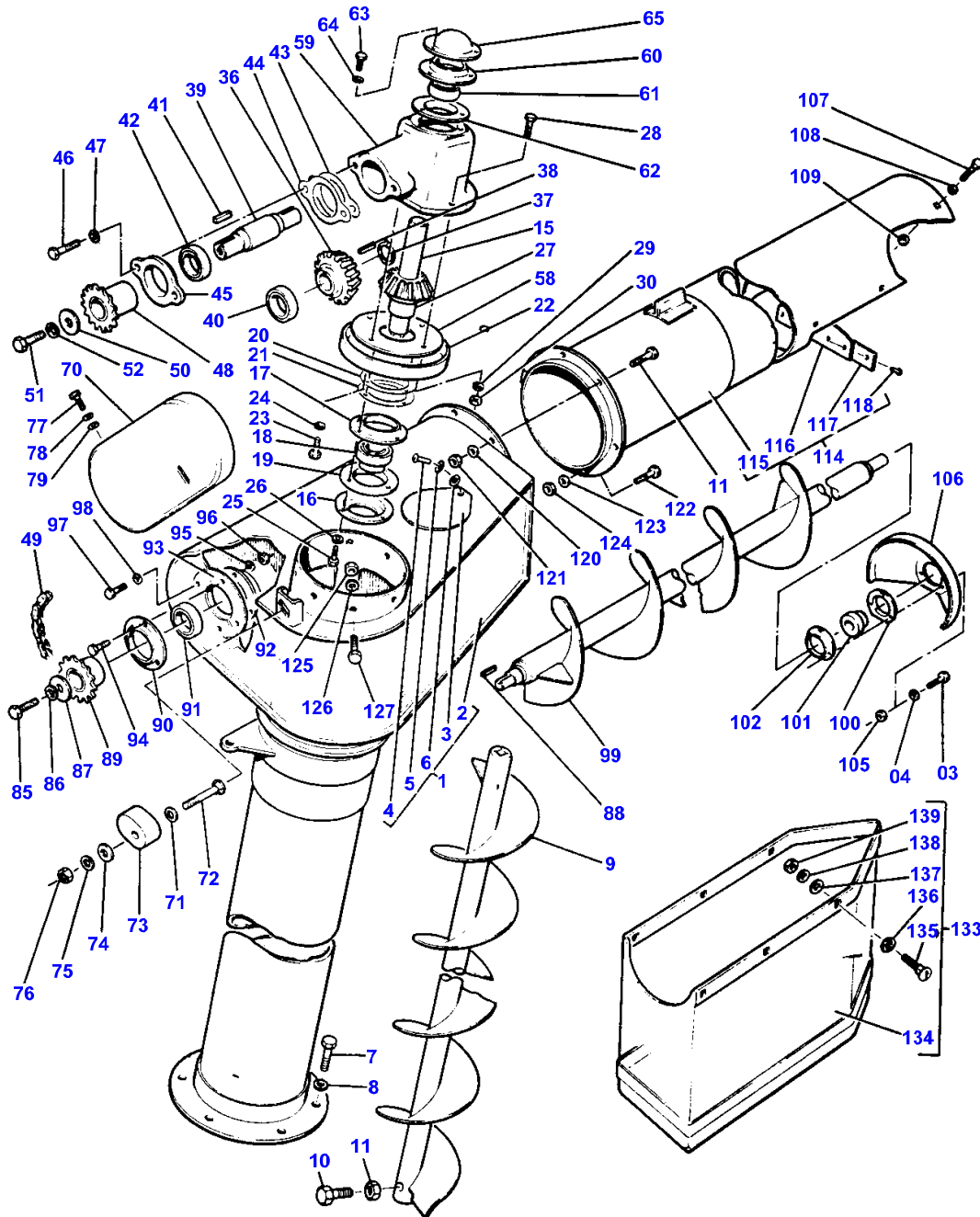
(E)  
RICE MACHINES

552

GRAIN TANK UNLOADER PIPE  
 VIS DE DECHARGE  
 AUSLAUFROHR  
 TUBO PER SCARICO SERBATOIO GRANO  
 TUBO DE DESCARGA DEL TANQUE

26383001

3-2638-001-A



PRINTED IN U.K.

520 525

819611-H (1)

GRAIN TANK UNLOADER PIPE

Item	Part Number	Qty	Description	Comments
1	787446M93	1	Tube	
2		1	Tube	(1) Not serviced, order 787 446 M93
3	636511M1	1	Cover	(1)
4	49189X	1	Rivet	(1)
5	353753X1	1	Washer	(1)
6	340370X1	1	Washer	(1)
7	353516X1	6	Screw Unf	
8	353446X1	6	Lock Washer	
9	787449M92	1	Auger	
	784855M91	1	Auger	(B)
10	353907X1	2	Screw Unc	
11	375109X1	4	Nut Unc	
15	794472M91	1	Shaft	
16	230934M1	1	Shield	
17	831834M1	1	Flange	
18	831929M1	1	Bearing Assy	
19	831834M1	1	Flange	
20	224256M1	X	Shim	
21	224257M1	X	Shim	
22	228787M91	1	Cap	
23	353677X1	1	Screw Unc	
24	353446X1	1	Lock Washer	
25	353517X1	3	Screw Unf	
26	353446X1	3	Lock Washer	
27	228800M1	1	Spacer	
28	353518X1	3	Screw Unf	
29	353446X1	3	Lock Washer	
30	353916X1	3	Nut Unf	
36	228796M1	1	Gear	
37	352438X1	1	Circlip	
38	SU 1200	1	Key Door	
39	228795M1	1	Shaft	
40	204220M1	1	Bearing	
41	SU 1200	1	Key Door	
42	204220M1	1	Bearing	
43	224024M1	X	Shim	
44	224023M1	X	Shim	
45	794939M1	1	Cap	
46	353699X1	2	Screw Unc	
47	353432X1	2	Lock Washer	
48	228790M91	1	Sprocket	
49	228794M91	1	Chain	(A)
50	196107M1	1	Washer	
51	353560X1	1	Screw Unf	
52	353432X1	1	Lock Washer	
58	230933M1	1	Gasket	
59	228774M1	1	Housing	
60	831834M1	1	Flange	
61	831929M1	1	Bearing Assy	
62	831834M1	1	Flange	
63	353676X1	3	Screw Unc	
64	353446X1	3	Lock Washer	
65	226684M1	1	Cover	
70	228772M1	1	Shield	
71	252731M1	1	Block	
72	353840X1	1	Bolt Unf	
73	GN 3011	1	Washer	
74	353757X1	1	Washer	
75	353432X1	1	Lock Washer	
76	353426X1	1	Nut Unf	
77	353516X1	2	Screw Unf	
78	353446X1	2	Lock Washer	
79	353755X1	2	Washer	
85	353560X1	1	Screw Unf	
86	353432X1	1	Lock Washer	
87	196107M1	1	Washer	
88	SU 1200	1	Key Door	
89	228792M91	1	Sprocket	
90	831834M1	1	Flange	

**GRAIN TANK UNLOADER PIPE**

Item	Part Number	Qty	Description	Comments
91	831087M1	1	Bearing	
92	1615130M1	1	Flange	From Serial or Engine Number 1628
93	228784M91	1	Plate	
94	353517X1	3	Screw Unf	
95	353446X1	3	Lock Washer	
96	353916X1	3	Nut Unf	
97	353516X1	6	Screw Unf	
98	353446X1	6	Lock Washer	
99	783771M92	1	Auger	
100	831838M1	1	Flange	
101	789286M1	1	Bush	
102	831838M1	1	Flange	
103	353792X1	3	Bolt Unf	
104	353446X1	3	Lock Washer	
105	353916X1	3	Nut Unf	
106	240414M1	1	Cap	
107	353501X1	4	Screw Unf	
108	353441X1	4	Lock Washer	
109	353918X1	4	Nut Unf	
114	783769M91	1	Tube	
115		1	Tube	(114) Not serviced, order 783 769 M91
116	783766M1	1	Flange	(114)
117	783767M1	1	Plate	(114)
118	377053X1	5	Rivet	(114)
119	353517X1	3	Screw Unf	
120	353446X1	3	Lock Washer	
121	353916X1	3	Nut Unf	
122	353516X1	5	Screw Unf	
123	353446X1	5	Lock Washer	
124	353916X1	5	Nut Unf	
125	353516X1	4	Screw Unf	
126	353446X1	4	Lock Washer	
127	353916X1	4	Nut Unf	
133	793328M91	1	Cowl	
134	793322M91	1	Cowl	(133)
135	353784X1	6	Bolt Unf	(133)
136	376394X1	6	Washer	(133)
137	353754X1	6	Washer	(133)
138	353441X1	6	Lock Washer	(133)
139	353918X1	6	Nut Unf	(133)

(A)  
FOR SERVICE BREAKDOWN REFER TO CHAINS SECTION

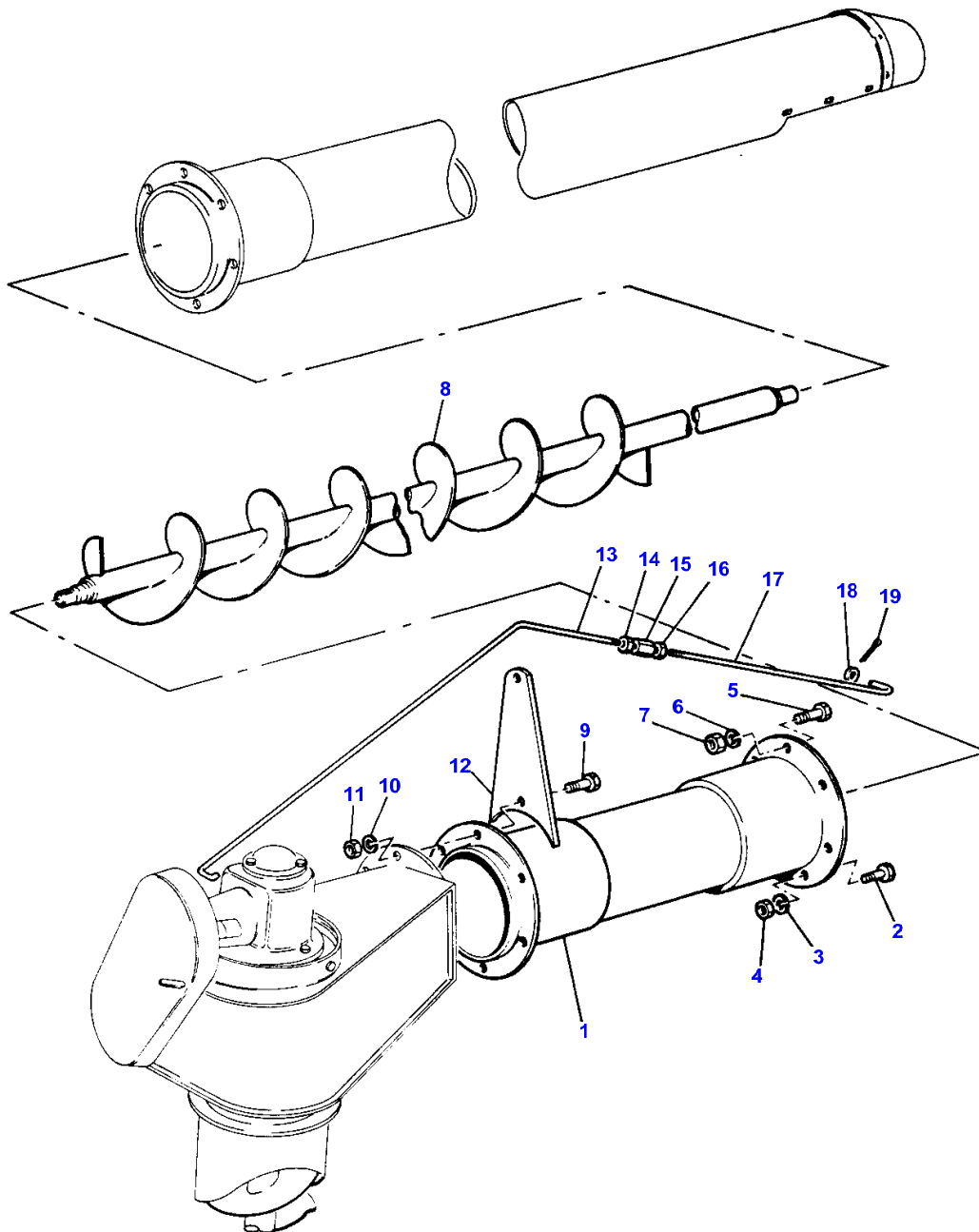
(B)  
RICE MACHINES

558

UNLOADER PIPE EXTENSION  
 DECHARGEUR A GRAINS  
 VERLAENGERUNG AUSLAUFROHR  
 PROLUNGA TUBO SCARICA SERBATOIO  
 PROLONGACION TUBO DESCARGA TANQUE

28403001

3-2640-001-A



PRINTED IN U.K.

520 525

819611-H (1)



**UNLOADER PIPE EXTENSION**

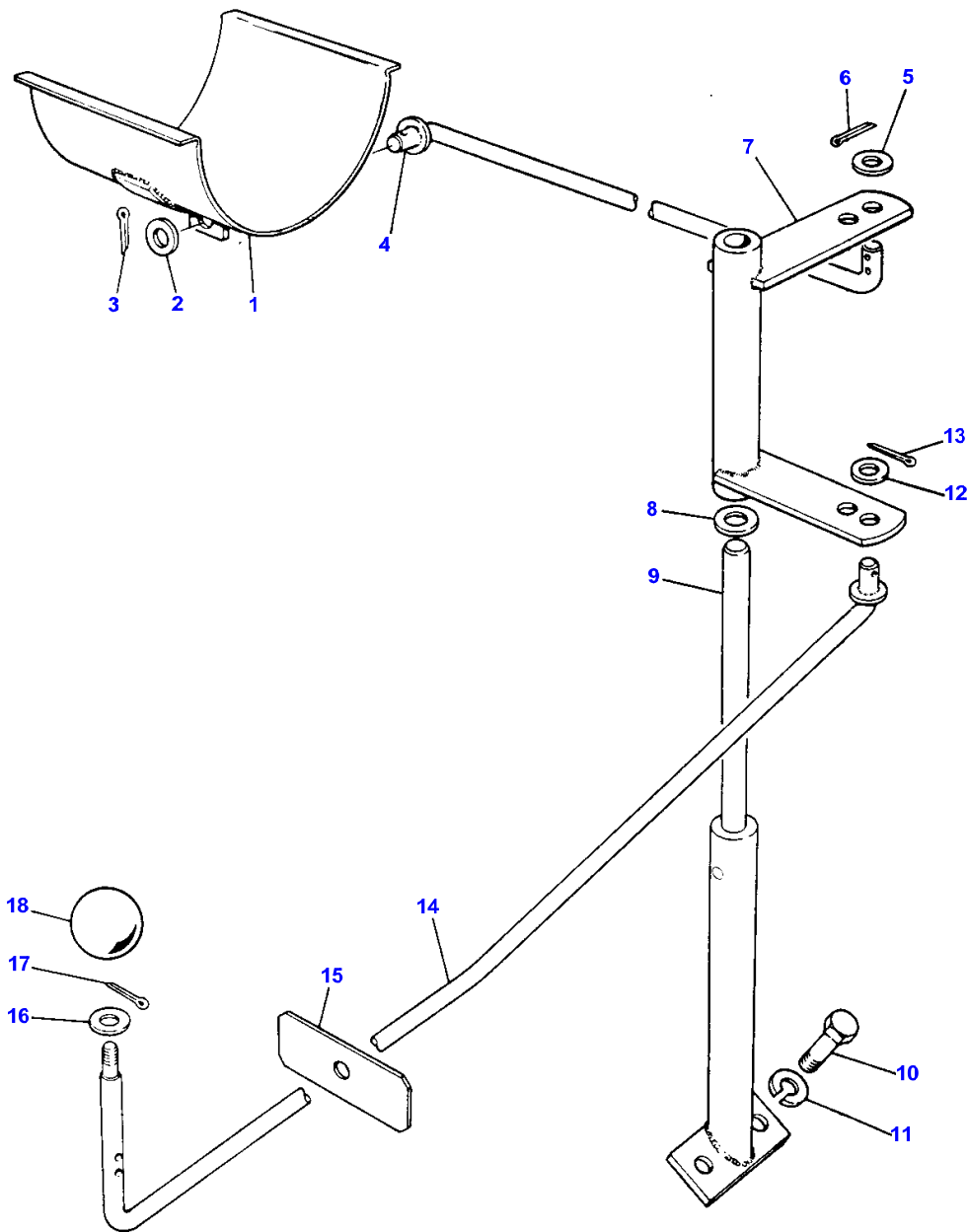
<b>Item</b>	<b>Part Number</b>	<b>Qty</b>	<b>Description</b>
1	795899M91	1	Extension
2	353516X1	5	Screw Unf
3	353446X1	5	Lock Washer
4	353916X1	5	Nut Unf
5	353517X1	2	Screw Unf
6	353446X1	2	Lock Washer
7	353916X1	2	Nut Unf
8	783776M92	1	Auger
9	353519X1	1	Screw Unf
10	353446X1	1	Lock Washer
11	353916X1	1	Nut Unf
12	784324M1	1	Plate
13	243926M1	1	Rod
14	364374X1	1	Nut
15	677556M1	1	Nut
16	375098X1	1	Nut Unc
17	240418M1	1	Rod
18	353758X1	1	Washer
19	354074X1	1	Pin

560

TANK FILLING CONTROL  
 CONTROLE DE RESERVOIR A GRAINS  
 KORNTANKSCHALTUNG  
 COMANDO RIEMPIMENTO SERBATOIO  
 CONTROL LLENADO DEPOSITO

26703001

3-2670-001-A



PRINTED IN U.K.

520 525

819611-H (1)

**TANK FILLING CONTROL**

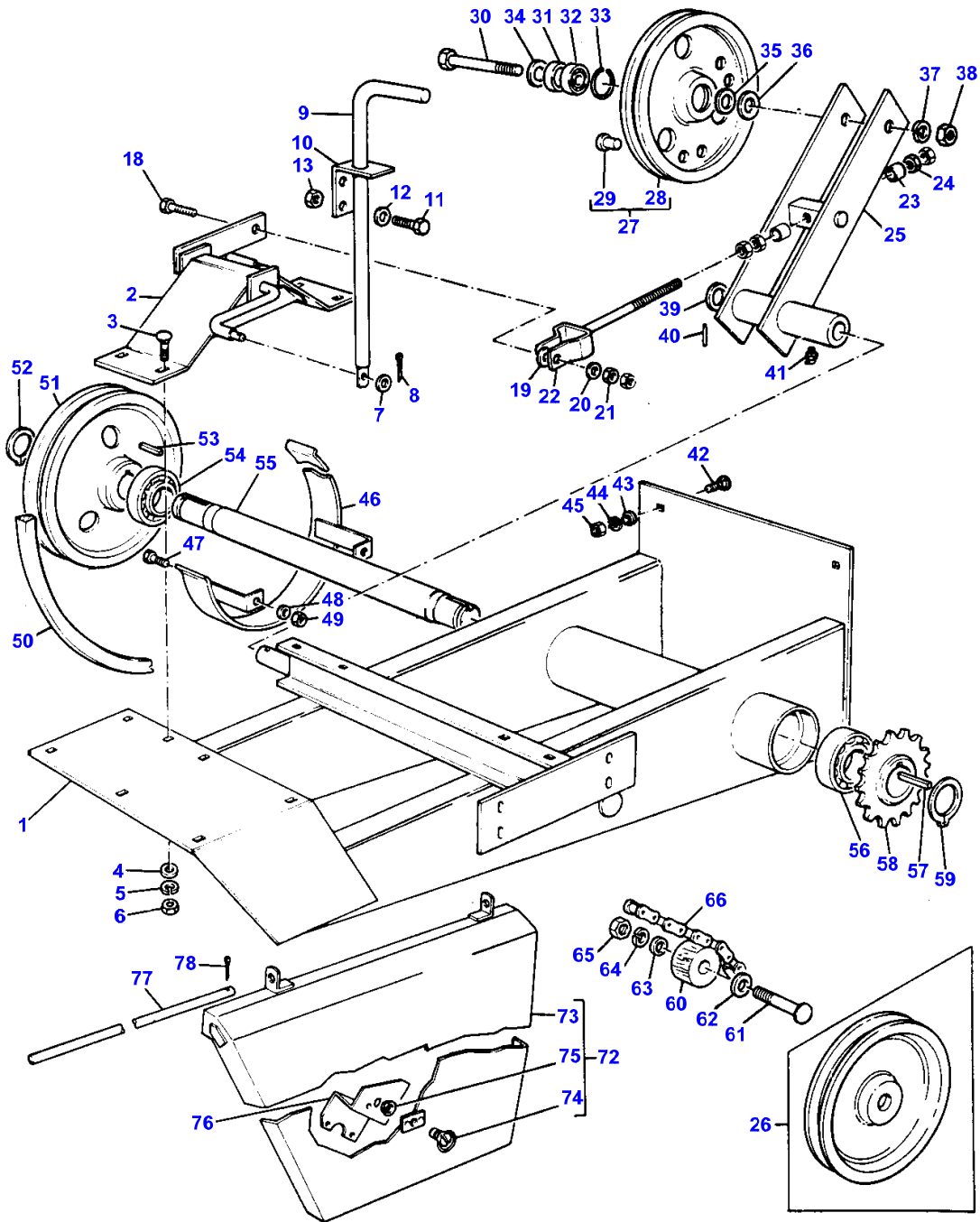
<b>Item</b>	<b>Part Number</b>	<b>Qty</b>	<b>Description</b>
1	783999M91	1	Door
2	353756X1	1	Washer
3	354048X1	1	Pin
4	783993M91	1	Rod
5	353756X1	2	Washer
6	354048X1	2	Pin
7	783997M91	1	Lever
8	353758X1	1	Washer
9	783991M91	1	Hinge
10	353516X1	2	Screw Unf
11	353446X1	2	Lock Washer
12	353756X1	1	Washer
13	354048X1	1	Pin
14	783992M91	1	Rod
15	238350M1	1	Plate
16	353756X1	2	Washer
17	354048X1	2	Pin
18	210976M2	1	Knob

562

UNLOADER DRIVE AND CONTROLS  
 ENTRAINEMENT ET COMMANDE DE DECHARGE  
 KORNTANKENLEERUNGSANTRIEB  
 COMANDO SCARICATORE E LEVE  
 DEPOSITIVOS DEL CONTROL Y MANDO DEL DESCARGADOR

28373001

3-2837-001-A



PRINTED IN U.K.

520 525

819611-H (1)

**UNLOADER DRIVE AND CONTROLS**

Item	Part Number	Qty	Description	Comments
1	782901M92	1	Support	
2	1855462M91	1	Lever	(B) Up to Serial or Engine Number 376
2	912319M91	1	Lever	From Serial or Engine Number 376
3	353794X1	4	Bolt Unf	
4	353755X1	4	Washer	
5	353446X1	4	Lock Washer	
6	353916X1	4	Nut Unf	
7	353758X1	1	Washer	
8	354048X1	1	Pin	
9	783524M1	1	Handle	
10	912315M1	1	Bracket	Without or not For Germany only or any text in German only
11	353518X1	4	Screw Unf	Without or not For Germany only or any text in German only
12	353446X1	4	Lock Washer	Without or not For Germany only or any text in German only
13	353916X1	4	Nut Unf	Without or not For Germany only or any text in German only
18	353597X1	1	Bolt Unf	
19	880712M1	1	Washer	
20	353758X1	1	Washer	
21	353438X1	2	Nut Unf	
22	787499M91	1	Yoke	
23	788466M1	2	Spacer	
24	375111X1	4	Nut Unc	
25	912303M91	1	Arm	
26	789472M1	1	Pulley	Up to Serial or Engine Number 658
27	617746M91	1	Pulley	From Serial or Engine Number 658
28		1	Pulley	(27) Not serviced, order 617746M91
29	203381M1	X	Rivet	(27)
	203382M1	X	Rivet	(27)
	203383M1	X	Rivet	(27)
	203384M1	X	Rivet	(27)
	203417M1	X	Rivet	(27)
30	353625X1	1	Bolt Unf	
31	233537M1	1	Bush	From Serial or Engine Number 658
32	339581X1	1	Bearing Ball	From Serial or Engine Number 658
33	208230M1	1	Ring	
34	789858M1	1	Spacer	Up to Serial or Engine Number 658
35	789857M1	1	Spacer	Up to Serial or Engine Number 658
	361221X1	1	Spacer	From Serial or Engine Number 658
36	353623X1	1	Bolt Unf	Up to Serial or Engine Number 658
37	353433X1	1	Lock Washer	
38	353427X1	1	Nut Unf	
39	376410X1	1	Washer	
40	375090X1	1	Pin	
41	200191M1	1	Nipple	
42	353794X1	4	Bolt Unf	
43	353755X1	4	Washer	
44	353446X1	4	Lock Washer	
45	353916X1	4	Nut Unf	
46	912318M91	1	Shield	
47	353517X1	2	Screw Unf	
48	353446X1	2	Lock Washer	
49	353916X1	2	Nut Unf	From Serial or Engine Number 658
50	619317M2	1	Belt	
51	787498M1	1	Pulley	
52	208505M1	1	Circlip	
53	195311M1	1	Key Door	
54	204220M1	1	Bearing	
55	912307M1	1	Shaft	
56	204220M1	1	Bearing	
57	10724X	1	Key	
58	912320M92	1	Sprocket	
59	352438X1	1	Circlip	
60	248560M1	1	Block	
61	353840X1	1	Bolt Unf	
62	GN 3011	1	Washer	

UNLOADER DRIVE AND CONTROLS

Item	Part Number	Qty	Description	Comments
63	353757X1	1	Washer	
64	353432X1	1	Lock Washer	
65	353426X1	1	Nut Unf	
66	619257M1	1	Chain	(A)
72	912329M91	1	Shield	
73		1	Guard	(72) Not serviced, order 912 329 M91
74	788877M1	1	Stud	(72)
75	788392M1	1	Washer	(72)
76	912200M91	1	Support	
77	1615311M1	1	Rod	
78	354074X1	2	Pin	

(A)  
FOR BREAKDOWN REFER TO CHAIN SECTION

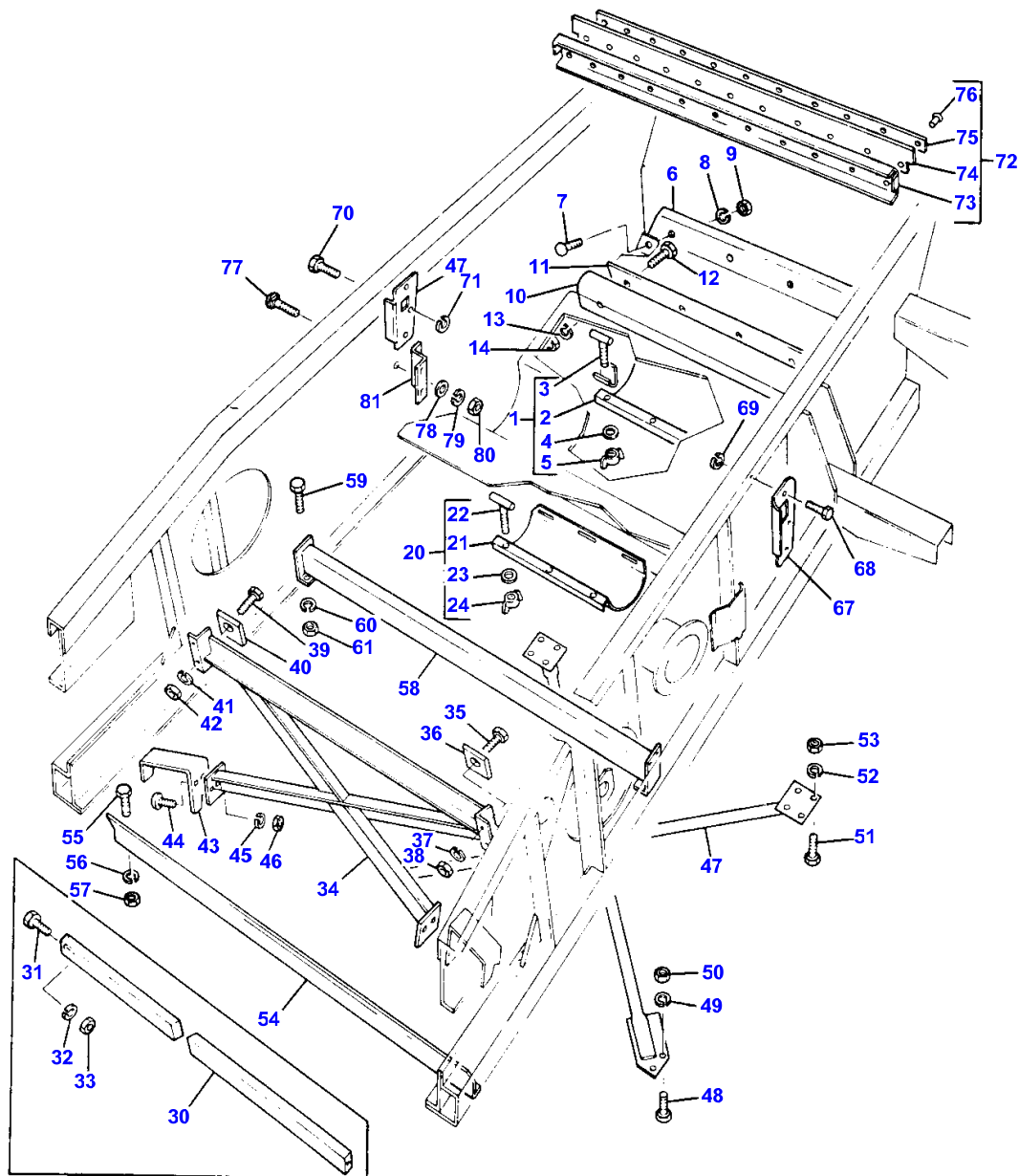
(B)  
NO LONGER SERVICED USE 912 319 M1 WITH 782 668 M92

566

MAIN FRAME  
 BATI  
 HAUPTTRAHMEN  
 TELAIO PRINCIPALE  
 ESTRUCTURA PRINCIPAL

25903001

3-2590-001-A



MAIN FRAME

Item	Part Number	Qty	Description	Comments
1	795014M91	1	Door	
2		1	Door	(1) Not serviced, order 795 014 M91
3	795018M91	3	Bolt	(1)
4	353755X1	3	Washer	(1)
5	355583X1	3	Nut Unf	(1)
6	617855M1	1	Rubber Strap	
7	353792X1	6	Bolt Unf	
8	353446X1	6	Lock Washer	
9	353916X1	6	Nut Unf	
10	617855M1	1	Rubber Strap	
11	227821M1	1	Strap	
12	353792X1	6	Bolt Unf	
13	353446X1	6	Lock Washer	
14	353916X1	6	Nut Unf	
20	914188M91	1	Door	
21		1	Door	(20) Not serviced, order 914 188 M91
22	795018M91	3	Bolt	(20)
23	353755X1	3	Washer	(20)
24	355583X1	3	Nut Unf	(20)
30	793984M91	1	Anglepiece	Up to Serial or Engine Number 6133
31	353518X1	2	Screw Unf	Up to Serial or Engine Number 6133
32	353446X1	2	Lock Washer	Up to Serial or Engine Number 6133
33	353916X1	2	Nut Unf	Up to Serial or Engine Number 6133
34	1616635M91	1	Brace	From Serial or Engine Number 6133
35	353593X1	2	Screw Unf	From Serial or Engine Number 6133
36	617869M1	2	Washer	From Serial or Engine Number 6133
37	353439X1	2	Lock Washer	From Serial or Engine Number 6133
38	353437X1	2	Nut Unf	From Serial or Engine Number 6133
39	353592X1	2	Bolt Unf	From Serial or Engine Number 6133
40	617869M1	2	Washer	From Serial or Engine Number 6133
41	353439X1	2	Lock Washer	From Serial or Engine Number 6133
42	353437X1	2	Nut Unf	From Serial or Engine Number 6133
43	1616643M1	1	Support	From Serial or Engine Number 6133
	1616644M1	1	Support	From Serial or Engine Number 6133
44	353980X1	4	Screw Special	From Serial or Engine Number 6133
45	353439X1	4	Lock Washer	From Serial or Engine Number 6133
46	353437X1	4	Nut Unf	From Serial or Engine Number 6133
47	1616645M91	1	Brace	From Serial or Engine Number 6133
48	338944X1	6	Bolt	From Serial or Engine Number 6133
49	338690X1	12	Washer	From Serial or Engine Number 6133
50	366092X1	6	Nut Unf	From Serial or Engine Number 6133
51	338952X1	2	Screw	From Serial or Engine Number 6133
52	338690X1	4	Washer	From Serial or Engine Number 6133
53	366092X1	2	Nut Unf	From Serial or Engine Number 6133
54	789334M1	1	Brace	
55	353518X1	2	Screw Unf	
56	353755X1	2	Washer	
57	376447X1	2	Nut Unf	
58	789328M91	1	Brace	
59	353518X1	8	Screw Unf	
60	353755X1	8	Washer	
61	376447X1	8	Nut Unf	
67	227822M91	1	Door	
	227823M91	1	Door	
68	353515X1	2	Screw Unf	
69	353446X1	2	Lock Washer	
70	353515X1	4	Screw Unf	
71	353446X1	4	Lock Washer	
72	227828M91	1	Member	
73		1	Crossmember	(72) Not serviced, order 227 828 M91
74	227829M1	1	Strip	(72)
75	227831M1	1	Strap	(72)
76	377053X1	11	Rivet	(72)
77	353783X1	4	Bolt Unf	
78	376394X1	4	Washer	
79	353441X1	4	Lock Washer	
80	353918X1	4	Nut Unf	



**MASSEY FERGUSON**  
**MF 520/525 COMBINES - 819611**

**819611**

**MAIN FRAME**

**566**

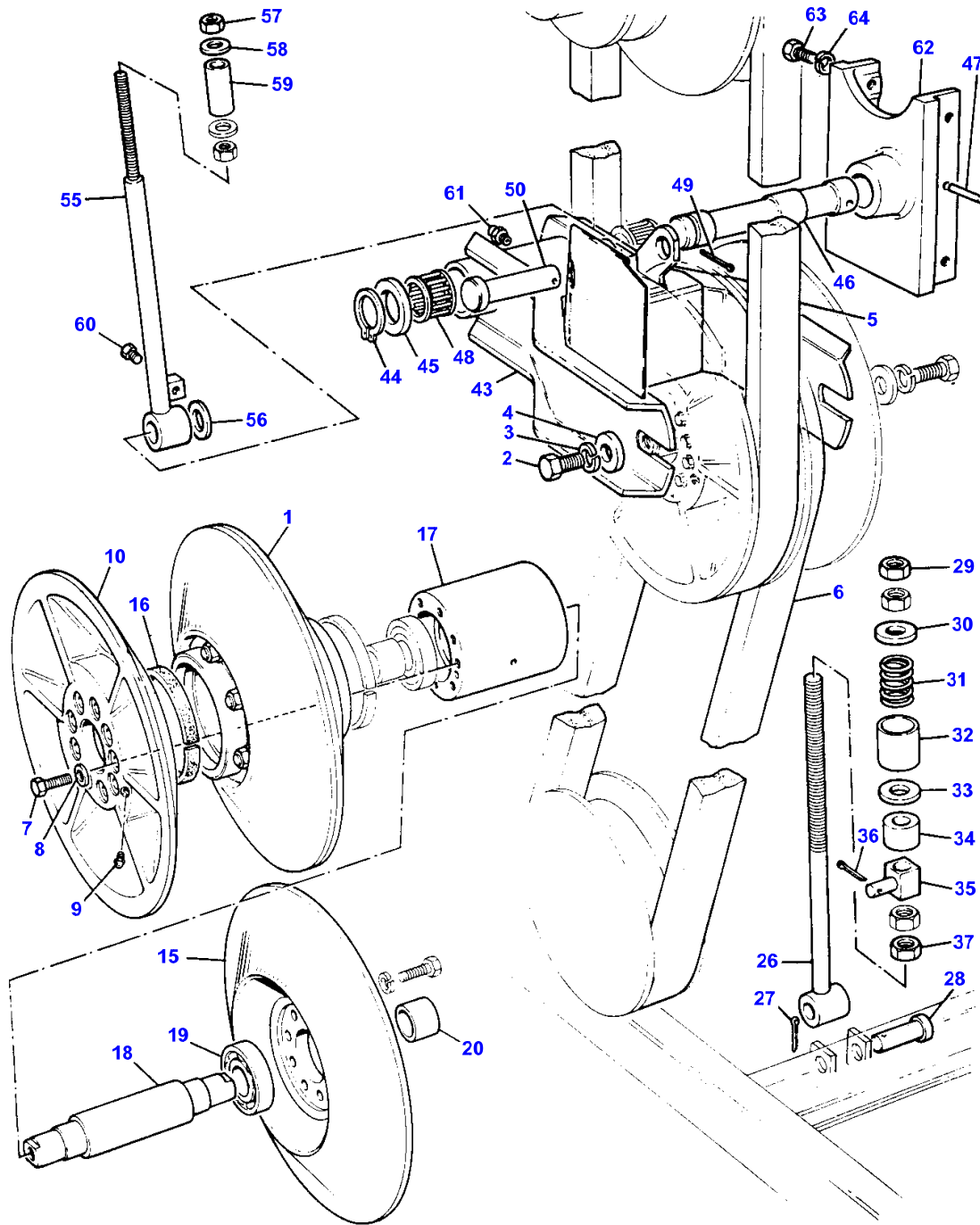
Item	Part Number	Qty	Description	Comments
81	783340M1	2	Bracket	

570

TRACTION DRIVE  
 COMMANDE D'AVANCEMENT  
 FAHRANTRIEB  
 COMANDI TRAZIONE  
 MANDO TRACCION

27553002

3-2755-002-A



PRINTED IN U.K.

520 525

819611-H (1)

TRACTION DRIVE

Item	Part Number	Qty	Description	Comments
1	226865M91	1	Pulley	
2	354393X1	2	Screw Unf	
3	353439X1	2	Lock Washer	
4	791470M1	2	Washer	
5	1616714M1	1	Belt	
6	1616715M1	1	Belt	
7	789203M1	18	Bolt	
8	338831X1	18	Washer	
9	200191M1	1	Nipple	
10	789201M1	1	Pulley	
15	789200M1	1	Pulley	
16	226852M1	2	Strip	
17	789199M1	1	Hub	
18	226869M1	1	Shaft	
19	832305M1	2	Bearing	
20	360712X1	2	Spacer	
26	788318M94	1	Rod	
27	354076X1	1	Pin	
28	195351M1	1	Pin	
29	375113X1	2	Nut Unc	
30	362017X1	1	Washer	
31	234234M1	1	Spring	
32	362065X1	1	Spacer	
33	362017X1	1	Washer	
34	361394X1	1	Spacer	
35	226871M1	1	Block	
36	354076X1	1	Pin	
37	375113X1	2	Nut Unc	
43	794723M93	1	Arm	
44	354946X1	2	Ring	
45	852285M1	1	Spacer	
46	226855M1	1	Shaft	
47	360006X1	1	Pin	
48	789262M1	2	Bush	(43)
49	354076X1	1	Pin	
50	195357M1	1	Pin	
55	1615346M91	1	Rod	
56	338295X1	1	Washer	(A,B)
57	353426X1	3	Nut Unf	
58	353757X1	2	Washer	
59	226868M1	1	Tube	
60	376414X1	2	Screw	
61	13533X	1	Grease Nipple	
62	226854M1	1	Bracket	
63	353698X1	4	Screw Unc	
64	353432X1	4	Lock Washer	

(A)  
USE WHEN CESSNA RAM 784 098 M91 IS FITTED WITH ROD 1615 346 M91

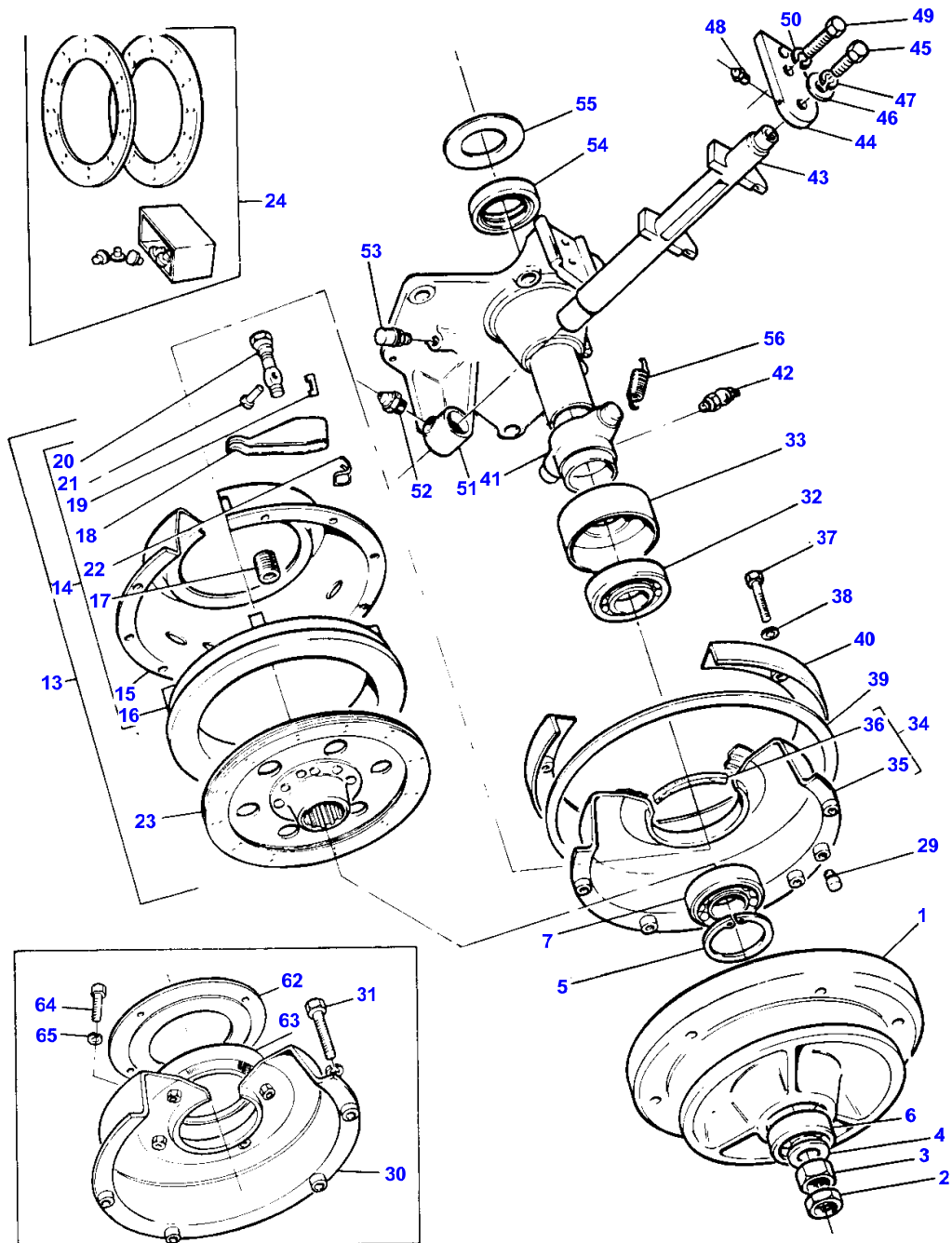
(B)  
NOT REQUIRED WHEN MF RAM 1748 187 M91 FITTED

574

TRACTION CLUTCH  
 EYBRAYAGE D'AVANCEMENT  
 FAHRANTRIEBSKUPPLUNG  
 FRIZIONE TRAZIONE  
 EMBRAGUE TRACCION

27803001

3-2760-001-A



PRINTED IN U.K.

520 525

819611-H (1)

TRACTION CLUTCH

Item	Part Number	Qty	Description	Comments
1	788427M2	1	Pulley	
2	353436X1	1	Nut Unf	
3	353435X1	1	Nut Unf	
4	353775X1	1	Washer	
5	22289X	1	Circlip	
6	832773M3	1	Bearing	
7	353246X1	1	Bearing	
13	788428M91	1	Clutch	
14	1855257M1	1	Cover	(13)
15	1886914M1	1	Cover	(14)
16	1886919M1	1	Plate	(14)
17	1886915M1	12	Spring	(14)
18	17760A	4	Lever	(14)
19	825644M1	4	Strut	(14)
20	1886920M91	4	Eye Bolt	(14)
21	825645M1	4	Pin	(14)
22	1886918M1	4	Spring	(14)
23	1855258M1	1	Plate	(13)
24	1810479M91	1	Kit, Repair	
29	788437M1	2	Dowel	
30	783448M92	1	Cover	Up to Serial or Engine Number 1635
31	353691X1	8	Screw Unc	
	353691X1	8	Screw Unc	
32	783762M1	1	Bearing	
34	606994M92	1	Cover	From Serial or Engine Number 1635
35		1	Cover	(34) Not serviced, order 606 994 M92
36	606993M1	1	Seal	(34)
37	353693X1	8	Screw Unc	From Serial or Engine Number 1635
38	353434X1	8	Lock Washer	
39	606995M1	1	Gasket	From Serial or Engine Number 1635
40	617532M91	1	Collar	From Serial or Engine Number 1635
41	788432M1	1	Bearing	
	1615768M1	1	Bearing	(A)
42	MP 1058	1	Nipple	
43	789260M92	1	Fork	Up to Serial or Engine Number 1234
	619430M93	1	Fork	From Serial or Engine Number 1234
44	788436M1	1	Plate	
45	353516X1	1	Screw Unf	
46	832035M1	1	Washer	
47	353446X1	1	Lock Washer	
48	MP 1056	1	Grease Nipple	
49	353702X1	2	Bolt Unc	
50	353432X1	2	Lock Washer	
51	788434M92	1	Cover	(B)
52	MP 1056	1	Grease Nipple	
53	190729M91	1	Breather	
54	831145M1	1	Seal	Up to Serial or Engine Number 5338
55	362027X1	X	Shim	Thickness .005"/.13MM Up to Serial or Engine Number 5338
55	362026X1	X	Shim	Thickness .010"/.25MM Up to Serial or Engine Number 5338
55	362028X1	X	Shim	Thickness .030"/.76MM Up to Serial or Engine Number 5338
56	233091M1	1	Spring	
62	1855529M2	1	Housing	Up to Serial or Engine Number 1635
63	1855530M1	1	Seal	Up to Serial or Engine Number 1635
64	376939X1	4	Screw Unf	Up to Serial or Engine Number 1635
65	353445X1	4	Lock Washer	Up to Serial or Engine Number 1635
66	914798M91	X	Strap	Up to Serial or Engine Number 1635

(A)  
FOR USE WITH 1615 765 M91 AND 1615 766 M91 ONLY

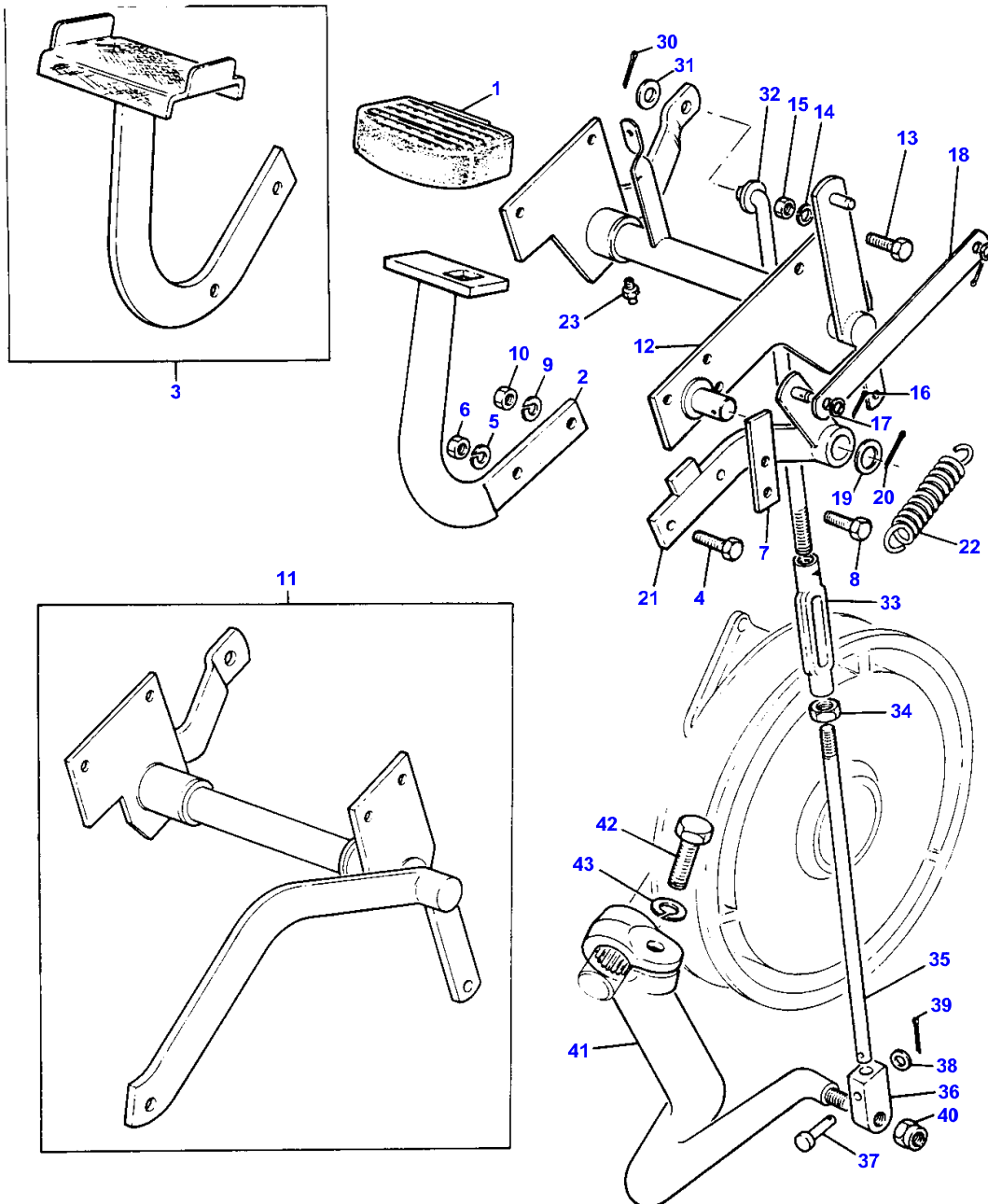
(B)  
NO LONGER SERVICED, ORDER 1615 776 M91

578

TRACTION CLUTCH CONTROLS  
 COMMANDE D EMBRAYAGE D AVANCEMENT  
 GESTÄENGE FAHRANTRIEBSKUPPLUNG  
 COMANDI FRIZIONE TRAZIONE  
 CONTROL DEL EMBAQUE DE TRACCION

27813001

3-2761-001-A



PRINTED IN U.K.

820 826

819611-H ( 11)

TRACTION CLUTCH CONTROLS

Item	Part Number	Qty	Description	Comments
1	796925M1	1	Pad	
2	796824M91	1	Pedal	(A) Up to Serial or Engine Number 5110
2	1616490M91	1	Pedal	(A) From Serial or Engine Number 5110
3	1615340M92	1	Pedal	(B) Up to Serial or Engine Number 5110
3	1616506M91	1	Pedal	(B) From Serial or Engine Number 5110
4	353520X1	1	Bolt Unf	
5	353446X1	1	Lock Washer	
6	353916X1	1	Nut Unf	
7	796941M1	1	Plate	Up to Serial or Engine Number 5110
	1616507M1	1	Keeper	From Serial or Engine Number 5110
8	353523X1	1	Bolt Unf	
9	353446X1	1	Lock Washer	
10	353916X1	1	Nut Unf	
11	789161M94	1	Shaft	Up to Serial or Engine Number 5110
12	1616495M91	1	Shaft	From Serial or Engine Number 5110
13	353517X1	7	Screw Unf	From Serial or Engine Number 5110
14	353446X1	7	Lock Washer	From Serial or Engine Number 5110
15	353916X1	7	Nut Unf	From Serial or Engine Number 5110
16	354070X1	1	Pin	From Serial or Engine Number 5110
17	344163X1	1	Washer	From Serial or Engine Number 5110
18	1616499M1	1	Plate	From Serial or Engine Number 5110
19	353756X1	2	Washer	From Serial or Engine Number 5110
20	354048X1	2	Pin	From Serial or Engine Number 5110
21	1616485M91	1	Lever	From Serial or Engine Number 5110
22	214446M1	1	Spring	
23	13811X	2	Grease Nipple	
30	354057X1	1	Pin	
31	355619X1	1	Washer	
32	789137M91	1	Rod	
33	762705M1	1	Buckle	
34	353431X1	1	Nut Unf	
35	789139M91	1	Rod	
36	789141M1	1	Block	
37	195609M1	1	Clevis Pin	
38	355619X1	1	Washer	
39	354057X1	1	Pin	
40	376448X1	1	Nut Unf	
41	789162M1	1	Lever	
42	353562X1	1	Screw Unf	
43	353432X1	1	Lock Washer	

(A)  
RUBBER PAD TYPE

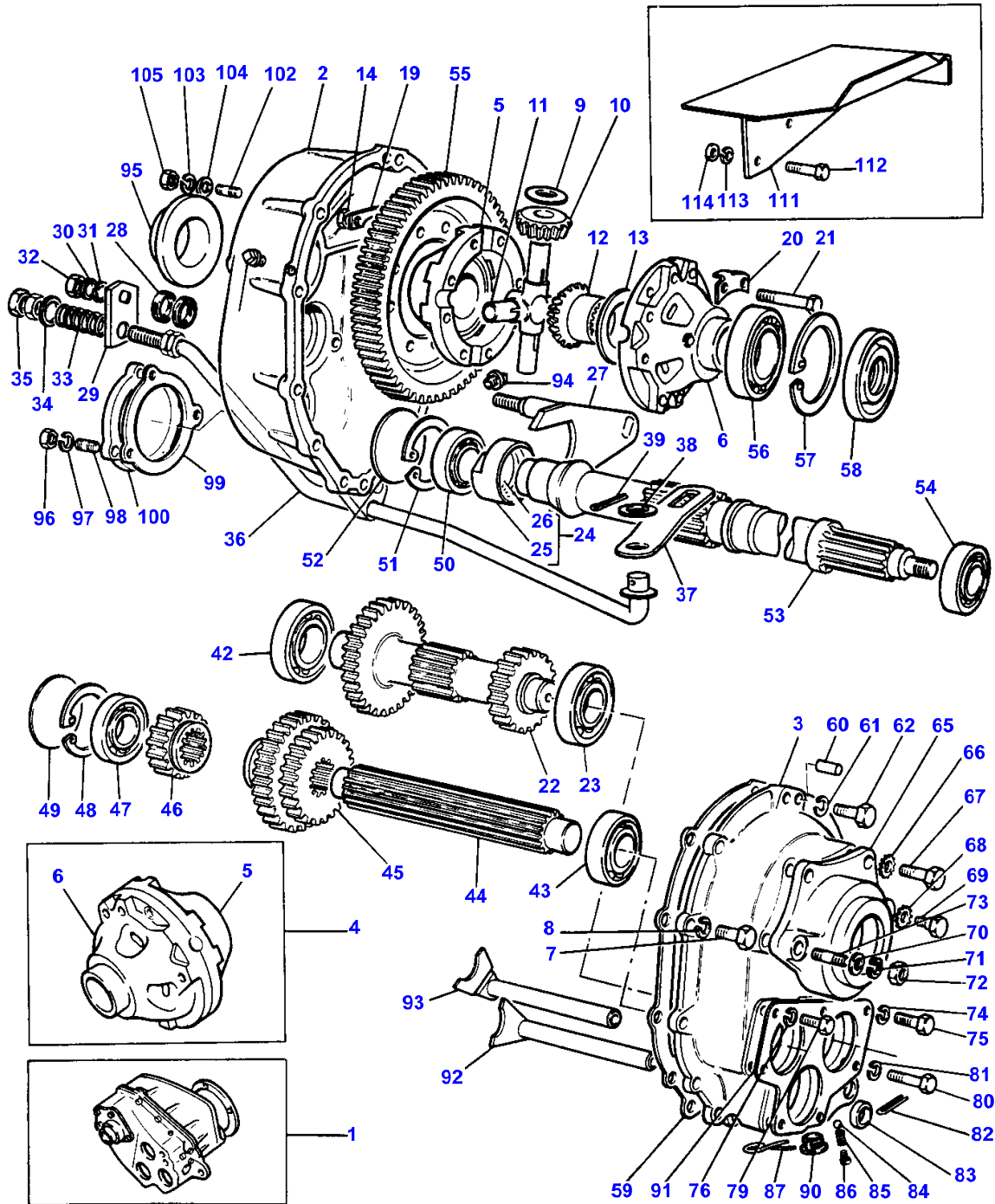
(B)  
METAL PAD TYPE

580

TRACTION GEAR BOX  
BOITE DE VITESSES  
GETRIEBE  
SCATOLA CAMBIO  
CAJA CAMBIOS

27653001

3-2765-001-A



PRINTED IN U.K.

520 525

819611-H (1)



**MASSEY FERGUSON  
MF 520/525 COMBINES - 819611**

819611

580

**TRANSMISSION GEAR BOX - UP TO SER. NO. 5338**

Item	Part Number	Qty	Description	Comments
				UP TO SER. NO. 5338
1	788546M91	1	Gearbox	Up to Serial or Engine Number 1234 (J)
	1616416M91	1	Gearbox	Up to Serial or Engine Number 1234
	617943M91	1	Gearbox	From Serial or Engine Number 1234 (D,M)
	617943M91	1	Gearbox	(D,M)
				From Serial or Engine Number 1234
1	1616416M91	1	Gearbox	Up to Serial or Engine Number 1234
	617944M91	1	Gearbox	(C,E,M)
2	230206M2	1	Housing	(1)
				(H)
2	243019M1	1	Housing	(1)
				(F,G)
3	233546M4	1	Housing	(1)
4	237202M91	1	Case	(1)
5		1	Case	(4)
				Not serviced, order 237202M91
6		1	Case	(4)
				Not serviced, order 237202M91
7	353700X1	8	Screw Unc	(1)
8	353432X1	8	Lock Washer	(1)
9	237201M1	4	Cam	(1)
10	223542M1	4	Pinion	(1)
11	223600M3	1	Crosspiece	(1)
12	223540M1	2	Gear	(1)
13	237200M2	2	Washer	(1)
14	353426X1	8	Nut Unf	(1)
19	223602M2	4	Plate	(1)
20	243288M1	4	Plate	(1)
21	831719M1	8	Bolt	(1)
22	230201M1	1	Shaft	(1)
				(F,H)
22	233660M1	1	Shaft	(1)
				(G)
23	AC 1163	1	Bearing Ball	(1)
24	243022M92	1	Collar	(1)
				(F,G,L)
25		1	Collar	(24)
				Not serviced, order 243 022 M92
26	833569M1	1	Bearing	(24)
				(F,G,L)
27	243024M92	1	Fork	(1)
				(F,G,L)
28	1009553M1	2	Seal	(1)
				(F,G,L)
29	243027M1	1	Arm	(1)
				(F,G)
30	353756X1	1	Washer	(1)
				(F,G)
31	353434X1	1	Lock Washer	(1)
				(F,G)
32	353431X1	1	Nut Unf	(1)
				(F,G)
33	850414M1	1	Spring	(1)
				(F,G)
34	353756X1	2	Washer	(1)
				(F,G)
35	353430X1	4	Nut Unf	(1)
				(F,G)
36	243028M92	1	Rod	(1)
				(F,G)
37	243030M2	1	Arm	(1)
				(F,G)
38	353756X1	2	Washer	(1)
				(F,G)
39	354048X1	1	Pin	(1)
				(F,G)
42	832333M1	1	Bearing	(1)
43	DV 4689	1	Bearing	(1)
44	223536M2	1	Shaft	(1)

TRANSMISSION GEAR BOX - UP TO SER. NO. 5338

Item	Part Number	Qty	Description	Comments
45	230202M1	1	Gear	(1)
46	1616151M1	1	Pinion	(1)
47	832334M1	1	Bearing	(1)
48	355988X1	1	Snapring	(1)
49	359554X1	1	Plug	(1)
50	339856X1	1	Bearing Ball	(1)
51	355988X1	1	Snapring	(1)
52	359554X1	1	Plug	(1)
53	788548M1	1	Shaft	(1)
54	3000734X1	1	Bearing	(1)
55	230204M1	1	Ring	(1)
56	0040035	2	Bearing Ball	(1)
57	353165X1	2	Circlip	(1)
58	831726M1	2	Seal	(1)
59	228184M1	1	Gasket	(1)
60	831727M1	2	Pin	(1)
61	353432X1	1	Lock Washer	(1)
62	353702X1	1	Bolt Unc	(1)
65	230200M1	1	Trunnion	(1)
66	359411X1	1	Lock Washer	(1)
67	354282X1	1	Screw Unc	(1)
68	359523X1	2	Washer	(1)
69	223544M1	2	Bolt	(1)
70	831985M1	1	Washer	(1)
71	359405X1	1	Washer	(1)
72	353427X1	1	Nut Unf	(1)
73	377390X1	1	Stud	(1)
74	353432X1	1	Lock Washer	(1) (K)
75	353701X1	1	Screw Unc	(1) (K)
76	353432X1	1	Lock Washer	(1) (K)
79	353699X1	2	Screw Unc	(1) (K)
80	353706X1	1	Bolt Unc	(1)
81	353432X1	1	Lock Washer	(1)
82	357665X1	2	Pin	(1)
83	831144M1	2	Seal	(1)
84	2016X	4	Ball	(1)
85	218553M1	2	Spring	(1)
86	223607M2	2	Plug	(1)
87	49185X	1	Wire	(1)
90	363819X1	1	Plug	(1)
91	233545M1	1	Gasket	(1) (K)
92	226678M91	1	Shifter	(1)
93	226680M91	1	Shifter	(1)
94	22769X	1	Plug	(1)
95	223603M1	1	Trunnion	(1)
96	353426X1	4	Nut Unf	(1) (F,H)
97	353432X1	4	Lock Washer	(1) (F,H)
98	353962X1	4	Stud	(1) (F,H)
98	353964X1	1	Stud	(1) (G)
99	223605M1	1	Gasket	(1)
100	233638M1	1	Cover	(1) (F,H)
101	363819X1	3	Plug	(1)
102	377389X1	2	Stud	(1)
103	359405X1	2	Washer	(1)
104	831985M1	2	Washer	(1)
105	353427X1	2	Nut Unf	(1)
111	913664M3	1	Guard	(A,B)
112	353697X1	2	Screw Unc	(A,B)
113	353432X1	2	Lock Washer	(A,B)
114	353757X1	2	Washer	(A,B)

Item	Part Number	Qty	Description	Comments
------	-------------	-----	-------------	----------

(A)  
MAIZE COMBINES ONLY

(B)  
INCLUDED IN KITS 784966M92 1855407M92 1855408M92 A ND 1855409M92

(C)  
GERMANY ONLY

(D)  
TRANSMISSION BRAKE ONLY

(E)  
PARKING AND TRANSMISSION BRAKE ONLY

(F)  
COMPONENT OF 617943M91

(G)  
COMPONENT OF 617944M91

(H)  
COMPONENT OF 788946M91

(K)  
COMPONENT OF 788546M91 617943M91 AND 617944M91

(L)  
COMPONENT OF 1616416M91

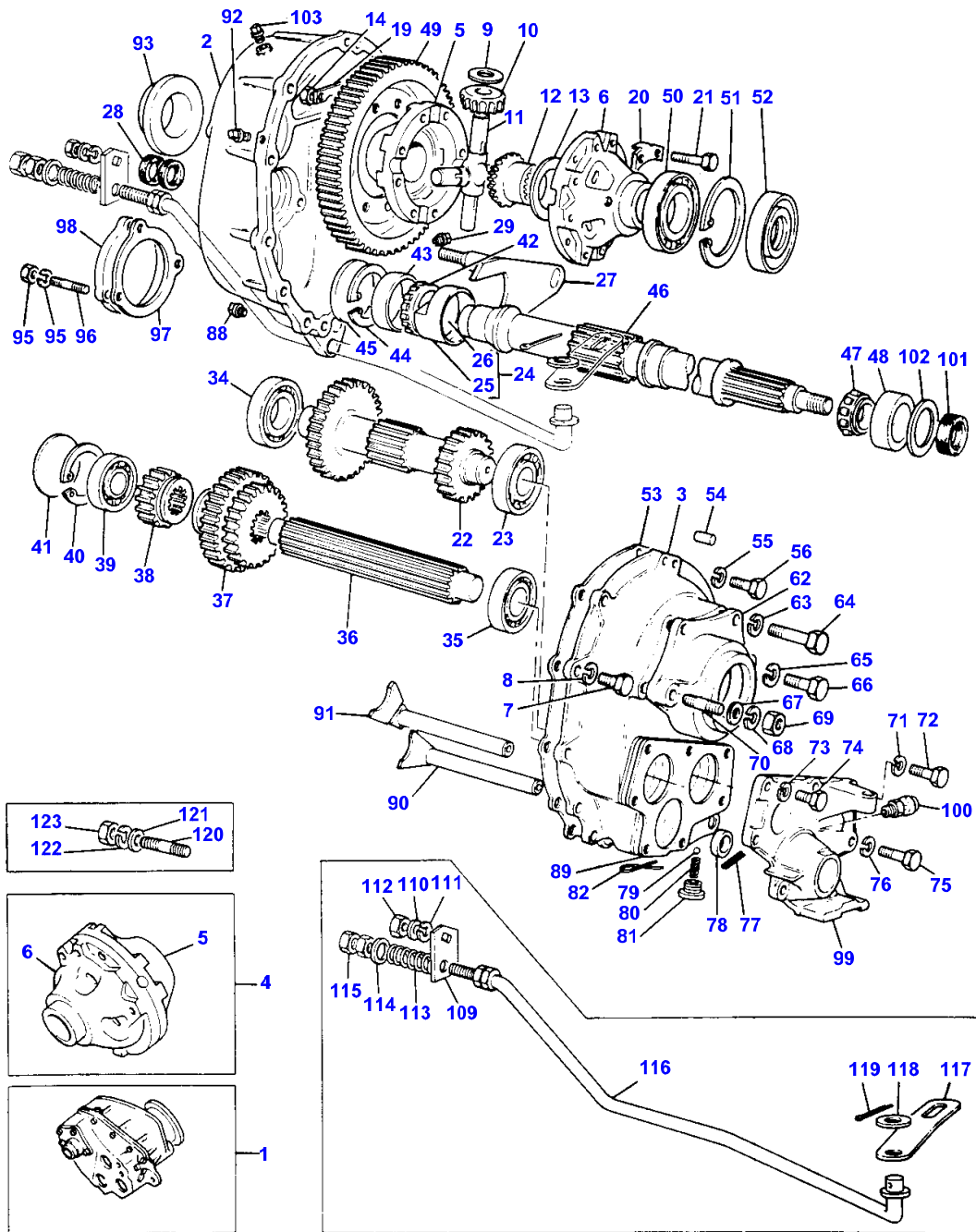
(M)  
NO LONGER SERVICED ORDER DETAILS

588

TRACTION GEAR BOX  
BOITE DE VITESSES  
GETRIEBE  
SCATOLA CAMBIO  
CAJA CAMBIOS

27853003

3-2765-003-A



PRINTED IN U.K.

520 525

819611 M 1 11

**MASSEY FERGUSON  
MF 520/525 COMBINES - 819611**

819611

588

**TRANSMISSION GEAR BOX - FROM SERIAL NO 5338**

Item	Part Number	Qty	Description	Comments
				FROM SERIAL NO 5338
1	1615765M91	1	Gearbox	(A)
	1615766M91	1	Gearbox	(B)
				For Germany only or any text in German only
2	243019M1	1	Housing	(1) Right Hand
3	233546M4	1	Housing	(1) Left Hand
4	237202M91	1	Case	(1)
5		1	Differential	(4) Not serviced, order 237 202 M91
6		1	Differential	(4) Not serviced, order 237 202 M91
7	353700X1	8	Screw Unc	(1)
8	353432X1	8	Lock Washer	(1)
9	237201M1	4	Cam	(1)
10	223542M1	4	Pinion	(1)
11	223600M3	1	Crosspiece	(1)
12	223540M1	2	Gear	(1)
13	237200M2	2	Washer	(1)
14	353426X1	8	Nut Unf	(1)
19	223602M2	4	Plate	(1)
20	243288M1	4	Plate	(1)
21	831719M1	8	Bolt	(1)
22	230201M1	1	Shaft	(1) (C)
22	233660M1	1	Shaft	(1) (D)
23	AC 1163	1	Bearing Ball	(1)
24	243022M92	1	Collar	(1)
25		1	Collar	(24) Not serviced, order 243 022 M92
26	833569M1	1	Bearing	(24)
27	243024M92	1	Fork	(1)
28	1009553M1	2	Seal	(1)
29	22769X	1	Plug	(1)
34	832333M1	1	Bearing	(1)
35	1440508X1	1	Bearing Ball	(1)
36	223536M2	1	Shaft	(1)
37	1616151M1	1	Pinion	(1)
38	230205M1	1	Pinion	(1)
39	832334M1	1	Bearing	(1)
40	355988X1	1	Snapring	(1)
41	359554X1	1	Plug	(1)
42	658139M1	1	Cone	(1)
43	658140M1	1	Cup	(1)
44	355988X1	1	Snapring	(1)
45	359554X1	1	Plug	(1)
46	1615414M1	1	Shaft	(1)
47	658137M1	1	Cone	(1)
48	658138M1	1	Cup	(1)
49	230204M1	1	Ring	(1)
50	0040035	2	Bearing Ball	(1)
51	353165X1	2	Circlip	(1)
52	831726M1	2	Seal	(1)
53	228184M1	1	Gasket	(1)
54	831727M1	2	Pin	(1)
55	353432X1	1	Lock Washer	(1)
56	353702X1	1	Bolt Unc	(1)
62	230200M1	1	Trunnion	(1)
63	359411X1	1	Lock Washer	(1)
64	354282X1	1	Screw Unc	(1)
65	359523X1	2	Washer	(1)
66	223544M1	2	Bolt	(1)
67	831985M1	1	Washer	(1)
68	359405X1	1	Washer	(1)
69	353427X1	1	Nut Unf	(1)
70	377390X1	1	Stud	(1)
71	353432X1	5	Lock Washer	(1)

TRANSMISSION GEAR BOX - FROM SERIAL NO 5338

Item	Part Number	Qty	Description	Comments
72	353701X1	2	Screw Unc	(1)
73	353432X1	2	Lock Washer	(1)
74	353699X1	5	Screw Unc	(1)
75	353706X1	1	Bolt Unc	(1)
76	353432X1	1	Lock Washer	(1)
77	357665X1	2	Pin	(1)
78	831144M1	2	Seal	(1)
79	2016X	4	Ball	(1)
80	218553M1	2	Spring	(1)
81	223607M2	1	Plug	(1)
82	49185X	1	Wire	(1)
88	363819X1	1	Plug	(1)
89	233545M1	1	Gasket	(1)
90	226678M91	1	Shifter	(1)
91	226680M91	1	Shifter	(1)
92	22769X	1	Plug	(1)
93	223603M1	1	Trunnion	(1)
94	353426X1	4	Nut Unf	(1)
95	353432X1	4	Lock Washer	(1)
96	353962X1	4	Stud	(1)
				(C)
96	353964X1	4	Stud	(1)
				(D)
97	223605M1	1	Gasket	(1)
98	233638M1	1	Cover	(1)
				(C)
99	1615415M91	1	Cover	(1)
100	190729M91	1	Breather	(1)
101	658142M1	1	Seal	(1)
102	338832X1	X	Shim	(1)
				Thickness 0.002"/.05MM
102	362027X1	X	Shim	(1)
				Thickness 0.005"/.12MM
102	362026X1	X	Shim	(1)
				Thickness 0.010"/.25MM
102	362028X1	X	Shim	(1)
				Thickness 0.030"/.75MM
103	356040X1	2	Plug	(1)
109	243027M1	1	Arm	
110	353756X1	1	Washer	
111	353434X1	1	Lock Washer	
112	353431X1	1	Nut Unf	
113	850414M1	1	Spring	
114	353756X1	1	Washer	
115	353430X1	4	Nut Unf	
116	243028M92	1	Rod	
117	243030M2	1	Arm	
118	353756X1	1	Washer	
119	354048X1	1	Pin	
120	377389X1	2	Stud	
121	831985M1	2	Washer	
122	359405X1	2	Washer	
123	353427X1	2	Nut Unf	

(A)  
TRANSMISSION BRAKE ONLY

(B)  
PARKING AND TRANSMISSION BRAKES

(C)  
COMPONENT OF 1615 765 M91 ONLY

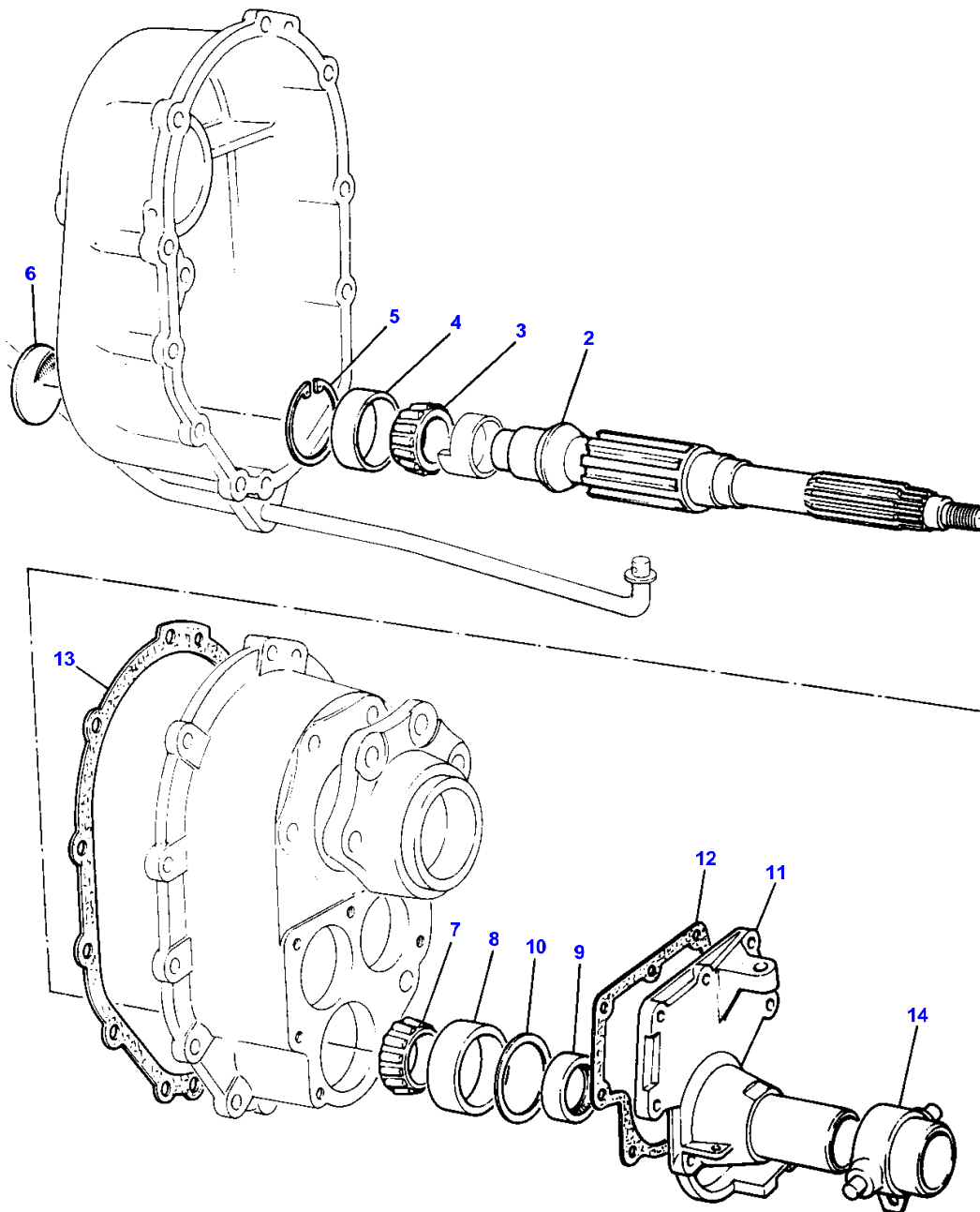
(D)  
COMPONENT OF 1615 766 M91 ONLY

594

KIT GEAR BOX MODIFICATION  
 JEU DE MODIFICATION BOITE DE VITESSES  
 UMBAUSATZ GETRIEBE  
 GRUPPO MODIFICA CAMBIO  
 JUEGO DE MODICACION DE CAJA DE CAMBIOS

27673001

3-2767-001-A



PRINTED IN U.K.

520 525

819611-H (1)

KIT GEAR BOY MODIFICATION

Item	Part Number	Qty	Description	Comments
1	1615776M91	X	Kit	Up to Serial or Engine Number 5338
2	1615414M1	1	Shaft	(1)
3	658139M1	1	Cone	(1)
4	658140M1	1	Cup	(1)
5	355988X1	1	Snapping	(1)
6	359554X1	1	Plug	(1)
7	658137M1	1	Cone	(1)
8	658138M1	1	Cup	(1)
9	658142M1	1	Seal	(1)
10	362026X1	X	Shim	(1) Thickness .010"/.254MM
10	362027X1	X	Shim	(1) Thickness .005"/.127MM
10	362028X1	X	Shim	(1) Thickness .030"/.762MM
10	338832X1	X	Shim	(1) Thickness .002"/.051MM
11	1615415M91	1	Cover	(1)
12	233545M1	1	Gasket	(1)
13	228184M1	1	Gasket	(1)
14	1615768M1	1	Bearing	(1)

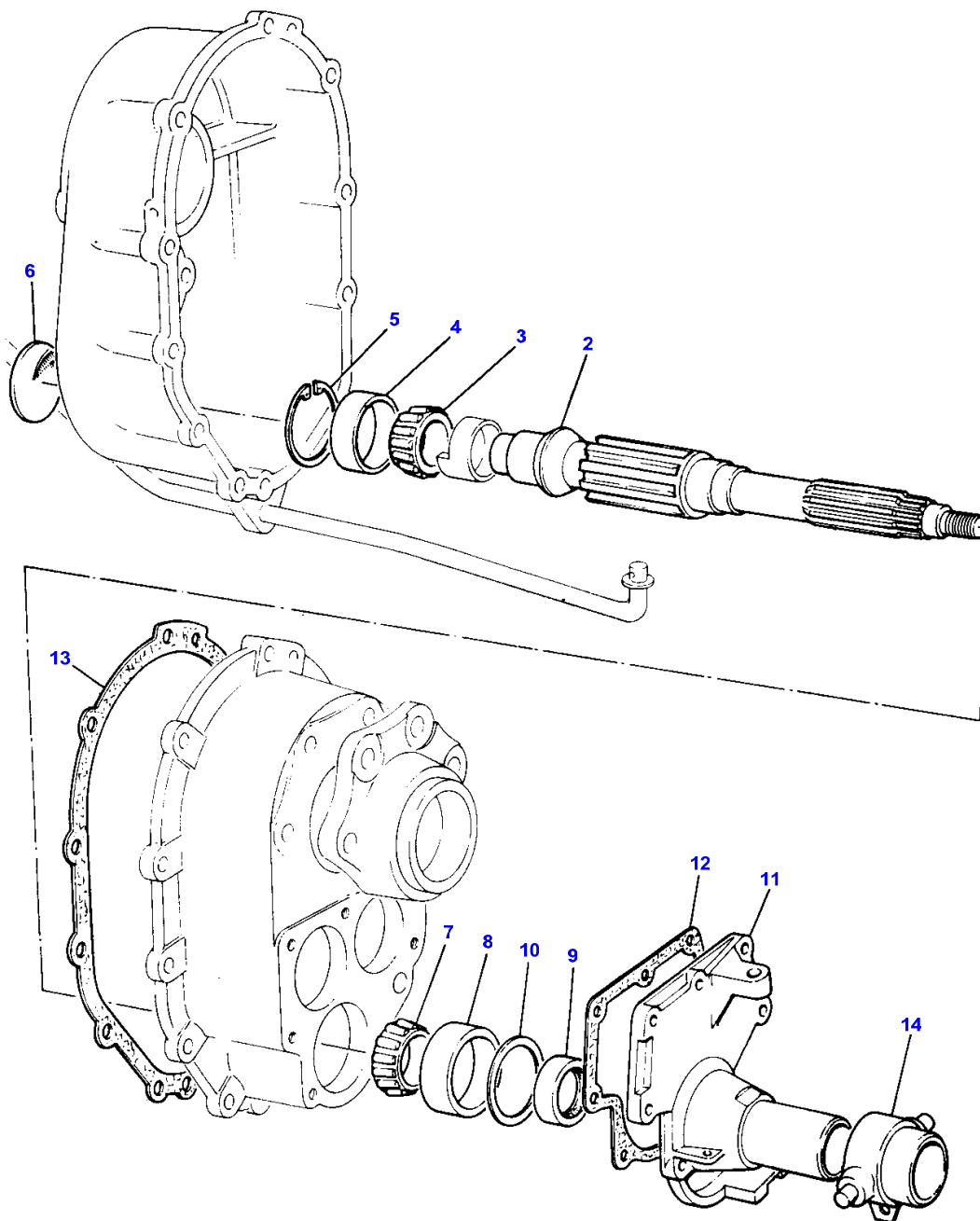


596

TRACTION GEARCHANGE CONTROLS  
 COMMANDE DES VITESSES D AVANCEMENT  
 GETRIEBESCHTUNG  
 COMANDI INGRANAGGI CAMBIO  
 CONTROL DEL CAMBIO DE VELOCIDADES DE LA TRACCION

27663001

3-2766-001-A



PRINTED IN U.K.

520 525

819611-H (1)

Item	Part Number	Qty	Description	Comments
UP TO SERIAL NO.2017				
1	787090M1	1	Knob	
2	619245M3	1	Arm	
3	619244M3	1	Shifter	
4	375196X1	1	Clevis Pin	
5	353770X1	1	Washer	
6	354046X1	1	Pin	
7	782756M4	1	Cover	
8	353678X1	2	Screw Unc	
9	353446X1	2	Lock Washer	
10	353755X1	1	Washer	
11	1855610M1	1	Indicator	
17	784939M1	1	Housing	
18	353897X1	1	Bolt Unc	
19	22764X	1	Lock Washer	
20	619236M2	1	Shaft	
21	619251M1	4	Bush	
22	377416X1	2	Pin	
23	619254M2	1	Shaft	
24	619238M1	1	Tube	
25	619248M4	1	Selector	
26	914597M3	2	Lever	
32	354046X1	2	Pin	
33	377106X1	2	Pin	
34	377316X1	2	Yoke	
35	353917X1	2	Nut Unf	
36	1616700M91	2	Rod	(A) Repairs and replaces 1855 516 M2
37	782792M1	1	Bracket	
38	353501X1	2	Screw Unf	
39	353441X1	2	Lock Washer	
40	353918X1	2	Nut Unf	
41	782766M92	1	Tube	
42	353441X1	1	Lock Washer	
43	353918X1	1	Nut Unf	
49	782708M1	2	Control Cable	
50		1	Cable	(49) Not serviced, order 782 708 M1
51	1888406M1	2	Nut	(49)
52	1888655M1	2	Seal	(49)
53	353438X1	2	Nut Unf	(49)
54		2	Cable	(49) Not serviced, order 782 708 M1
55	353438X1	2	Nut Unf	(49)
56	1888408M1	1	Washer	(49)
57	1888409M1	1	Nut	(49)
58	1888410M1	1	Clevis	(49)
59	375198X1	1	Pin	(49)
60	354039X1	1	Cotter	(49)
61	353919X1	1	Nut Unf	(49)
62	353754X1	1	Washer	
68	784178M1	1	Clamp	
69	784177M91	1	Clamp	
70	353519X1	2	Screw Unf	
71	353446X1	2	Lock Washer	
72	353916X1	2	Nut Unf	
73	353518X1	1	Screw Unf	
74	353446X1	1	Lock Washer	
75	353916X1	1	Nut Unf	
81	1855638M91	1	Bracket	
82	353441X1	2	Lock Washer	
83	353918X1	2	Nut Unf	
84	338824X1	1	Pin	
85	619241M2	1	Shaft	
86	377112X1	1	Pin	
87	1855671M3	1	Lever	
88	230762M3	1	Bracket	
89	619256M3	1	Lever	
90	354066X1	1	Pin	

TRACTION GEARCHANGE CONTROLS - UP TO SERIAL NO.2017

Item	Part Number	Qty	Description	Comments
91	1855670M3	1	Lever	
96	1616484M91	1	Column	(A) Repairs and replaces 619 275 M91
97	783683M1	1	Cover	
98	832273M1	1	Sleeve	
99	353681X1	1	Bolt Unc	
100	353446X1	1	Lock Washer	
101	619274M1	1	Bar	
102	353676X1	2	Screw Unc	
103	353446X1	2	Lock Washer	
104	353678X1	4	Screw Unc	
105	353446X1	4	Lock Washer	
106	619246M1	1	Cover	
107	353500X1	6	Screw Unf	
108	353441X1	6	Lock Washer	
113	230727M1	1	Cover	
114	355124X1	2	Screw Unc	
115	353445X1	2	Lock Washer	
116	353517X1	2	Screw Unf	
117	353755X1	2	Washer	
118	353446X1	2	Lock Washer	
119	353916X1	2	Nut Unf	
120	1616509M91	1	Plate	(A)
121	353441X1	4	Lock Washer	
122	353918X1	4	Nut Unf	
123	353518X1	2	Screw Unf	
124	353755X1	2	Washer	
125	353446X1	2	Lock Washer	
126	353916X1	2	Nut Unf	
127	1616497M91	1	Rail	(A)
128	1616505M91	X	Kit	
129	1616497M91	1	Rail	(128)
130	353527X1	1	Screw	(128)
131	1616366M1	1	Wedge	(128)
132	353521X1	1	Bolt Unf	(128)
133	1616701M91	X	Kit	(B)

(A)  
CONTAINED IN KIT 1616 701 M91

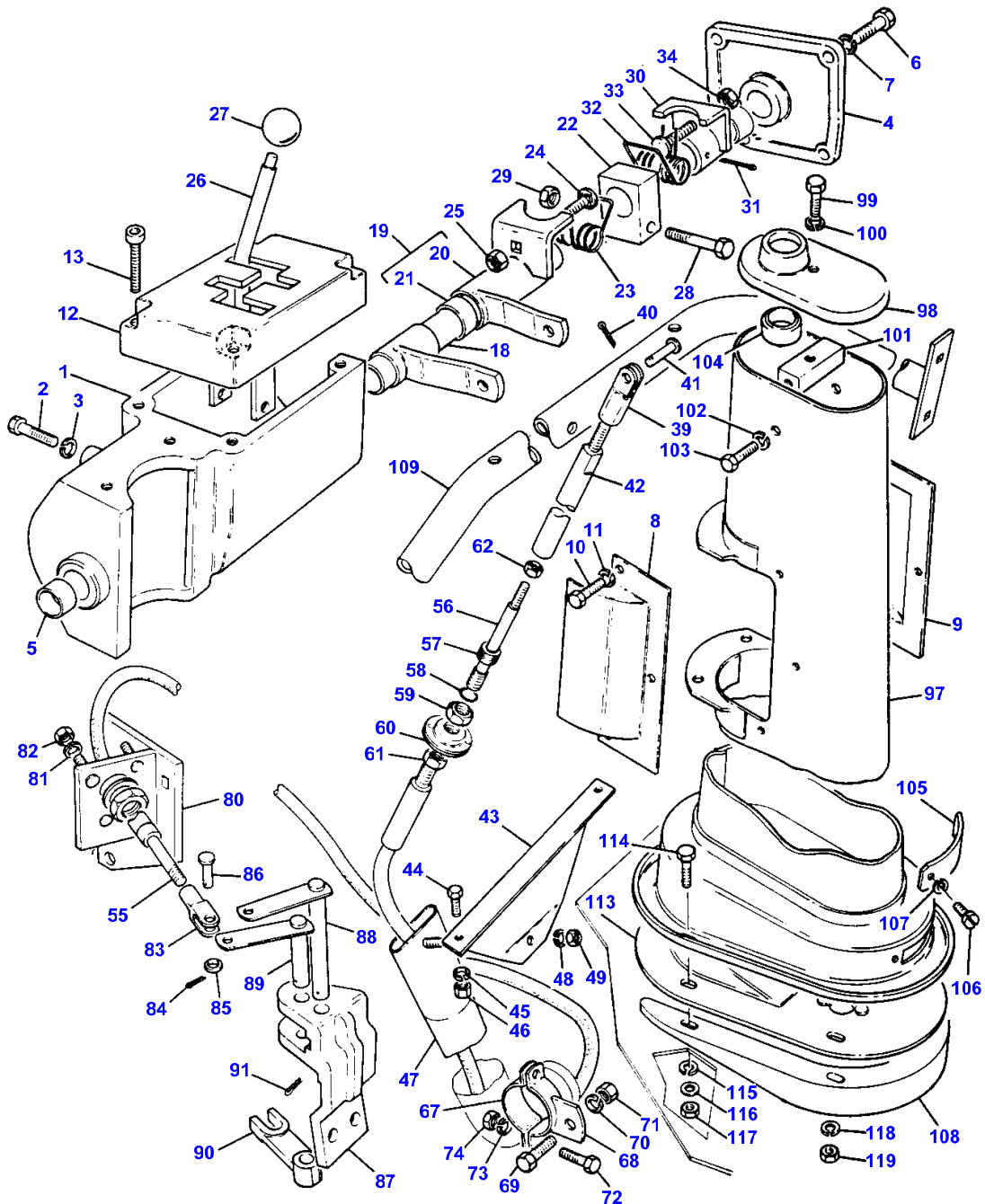
(B)  
CONTAINS ITEMS MARKED (A)

602

TRACTION GEARCHANGE CONTROLS  
 COMMANDE DES VITESSES D AVANCEMENT  
 GETRIEBESCHÜTUNG  
 COMANDI INGRANAGGI CAMBIO  
 CONTROL DEL CAMBIO DE VELOCIDADES DE LA TRACCION

27863002

3-2766-002-A



TRACTION GEARCHANGE CONTROLS - FROM SERIAL NO.2017

Item	Part Number	Qty	Description	Comments
				FROM SERIAL NO.2017
1	1615255M1	1	Box	(A)
2	353897X1	1	Bolt Unc	
3	22764X	1	Lock Washer	
4	1615257M1	1	Cover	(A)
5	619251M1	2	Bush	(A)
6	353678X1	4	Screw Unc	(A)
7	353446X1	4	Lock Washer	(A)
8	619246M1	1	Cover	
9	1615342M1	1	Cover	(A)
10	353500X1	6	Screw Unf	
11	353441X1	6	Lock Washer	
12	1615256M1	1	Grille	(A)
13	357836X1	4	Screw Unc	(A)
18	1615258M91	1	Shaft	(A)
19	1615261M92	1	Lever	(A)
20		1	Lever	(19)
				Not serviced, order 1615 261 M92
21	619251M1	2	Bush	(19)
22	1615265M1	1	Spacer	(A)
23	1615271M1	1	Spring	(A)
24	353784X1	1	Bolt Unf	(A)
25	376446X1	1	Nut Unf	(A)
26	1615709M92	1	Lever	(A)
27	787090M1	1	Knob	(A)
28	353533X1	1	Bolt Unf	(A)
29	376447X1	1	Nut Unf	(A)
30	1615269M92	1	Lever	(A)
31	353478X1	1	Groove Pin	(A)
32	1615271M1	1	Spring	(A)
33	353784X1	1	Bolt Unf	(A)
34	376446X1	1	Nut Unf	(A)
39	377316X1	2	Yoke	(A)
40	377106X1	2	Pin	(A)
41	354046X1	2	Pin	(A)
42	1615284M1	1	Rod	(A)
				Up to Serial or Engine Number 5280
42	1616512M1	1	Rod	(B)
				From Serial or Engine Number 5280
43	782792M1	1	Bracket	
44	353501X1	2	Screw Unf	
45	353441X1	2	Lock Washer	
46	353918X1	2	Nut Unf	
47	782766M92	1	Tube	
48	353441X1	1	Lock Washer	
49	353918X1	1	Nut Unf	
55	1615283M1	2	Cable	
56		2	Cable	(55)
				Not serviced, order 1615 283 M1
57	1888406M1	2	Nut	(55)
58	1888655M1	2	Seal	(55)
59	353438X1	2	Nut Unf	(55)
60		2	Cable	(55)
				Not serviced, order 1615 283 M1
61	353438X1	2	Nut Unf	(55)
62	353919X1	1	Nut Unf	(A)
67	784178M1	1	Clamp	
68	784177M91	1	Clamp	
69	353519X1	2	Screw Unf	
70	353446X1	2	Lock Washer	
71	353916X1	2	Nut Unf	
72	353518X1	1	Screw Unf	
73	353446X1	1	Lock Washer	
74	353916X1	1	Nut Unf	
80	1615273M91	1	Bracket	(A)
81	353441X1	4	Lock Washer	
82	353918X1	4	Nut Unf	
83	1615995M1	2	Yoke	(A)
84	361291X1	2	Pin	(A)

TRACTION GEARCHANGE CONTROLS - FROM SERIAL NO.2017

Item	Part Number	Qty	Description	Comments
85	353769X1	2	Washer	(A)
86	354039X1	2	Cotter	(A)
87	230762M3	1	Bracket	
88	1615278M91	1	Lever	(A)
89	1615281M91	1	Lever	(A)
90	1615312M1	2	Lever	(A)
91	338840X1	2	Pin	(A)
97	1616484M91	1	Column	(B)
98	783683M1	1	Cover	
99	353681X1	1	Bolt Unc	Up to Serial or Engine Number 7108
99	353679X1	1	Screw Unc	From Serial or Engine Number 7108
100	353446X1	1	Lock Washer	
101	619274M1	1	Bar	
102	353676X1	2	Screw Unc	
103	353446X1	2	Lock Washer	
104	832273M1	1	Sleeve	
105	230727M1	1	Cover	
106	355124X1	2	Screw Unc	
107	353445X1	2	Lock Washer	
108	1616366M1		Wedge	
109	1616497M91		Rail	(B)
113	782709M91	1	Plate	Up to Serial or Engine Number 5280
113	1616509M91	1	Plate	(B) From Serial or Engine Number 5280
114	353518X1	4	Screw Unf	
115	355618X1	4	Washer	
116	22428X	4	Lock Washer	
117	353916X1	4	Nut Unf	
118	353441X1	4	Lock Washer	
119	353918X1	4	Nut Unf	
120	1615356M93	X	Kit, Repair	(C)
121	1616696M91	1	Kit	(D)

(A)  
CONTAINED IN KIT 1615 356 M93

(B)  
CONTAINED IN KIT 1616 696 M91

(C)  
CONTAINS ITEMS MARKED (A)

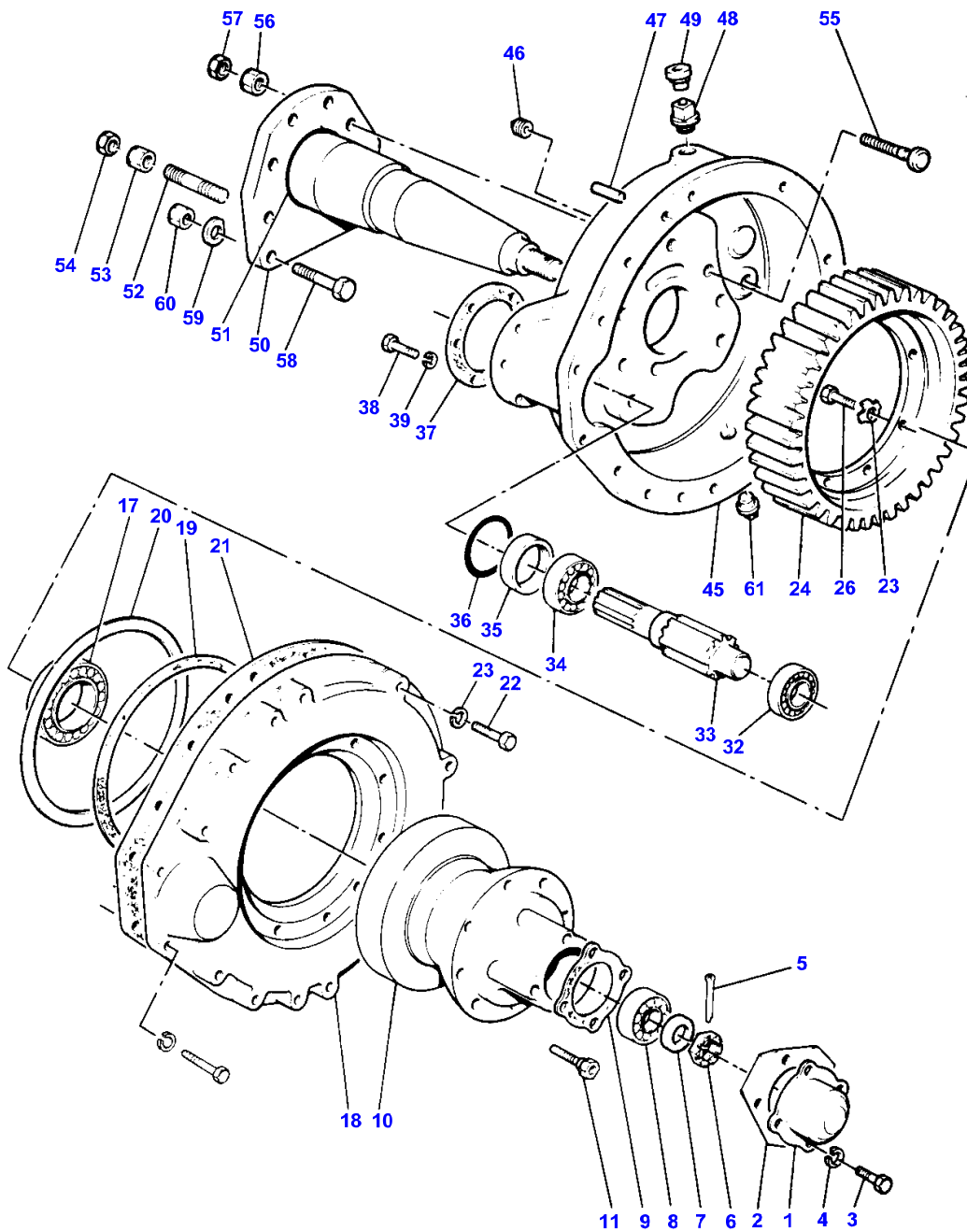
(D)  
CONTAINS ITEMS MARKED (B)

606

FINAL DRIVE  
 REDUCTION FINOLE  
 ENDANTRIEB  
 RIDUZIONE FINALE  
 ACCIONAMIENTO FINAL

28153001

3-2815-001-A



FINAL DRIVE

Item	Part Number	Qty	Description	Comments
1	223632M2	2	Cover	
2	792402M1	2	Plate	
3	353698X1	8	Screw Unc	
4	353432X1	8	Lock Washer	
5	354092X1	2	Pin	
6	357533X1	2	Nut Unf	
7	486297M2	2	Washer	
8	1851809M91	2	Bearing	
9	223631M3	2	Gasket	
10	223630M2	1	Hub	Right Hand Up to Serial or Engine Number 539
10	783694M1	1	Hub	Right Hand From Serial or Engine Number 539
10	787110M1	1	Hub	Left Hand Up to Serial or Engine Number 539
10	783693M1	1	Hub	Left Hand From Serial or Engine Number 539
10	787175M1	1	Hub	(C) Left Hand Up to Serial or Engine Number 719
10	784957M1	1	Hub	(C) Left Hand From Serial or Engine Number 719
10	785604M1	1	Hub	(C) Right Hand Up to Serial or Engine Number 719
10	784958M1	1	Hub	(C) Right Hand From Serial or Engine Number 719
11	795880M1	8	Bolt	(D) Up to Serial or Engine Number 539
11	783697M1	8	Bolt	(D) From Serial or Engine Number 539
11	787111M1	8	Bolt	(E) Up to Serial or Engine Number 539
11	783696M1	8	Bolt	(E) From Serial or Engine Number 539
17	791294M91	2	Bearing	
18	233100M1	2	Cover	(A)
	233078M1	2	Cover	(B)
	785595M1	2	Cover	(C)
19	223629M1	2	Packing	
20	232944M2	2	Seal	
21	233076M1	2	Gasket	
22	353700X1	24	Screw Unc	(A)
	353704X1	20	Bolt Unc	(B)
	353700X1	4	Screw Unc	(B)
23	353432X1	24	Lock Washer	
24	226987M2	1	Gear	(A)
	252750M1	1	Gear	(B) Up to Serial or Engine Number 1565
24	783613M2	1	Gear	(B) From Serial or Engine Number 1565
25	218517M1	16	Washer	Up to Serial or Engine Number 2209
26	338869X1	16	Bolt	
32	1851800M91	2	Bearing Assy	
33	226988M1	2	Pinion	(A) Up to Serial or Engine Number 1565
	252751M1	2	Pinion	(B) From Serial or Engine Number 1565
33	783614M1	2	Pinion	(B) From Serial or Engine Number 1565
34	791266M91	2	Bearing	
35	831926M1	2	Seal	
36	359139X1	2	Ring	
37	223625M1	X	Shim	Thickness .010"/.25MM
	223626M1	X	Shim	Thickness .002"/.05MM
	228383M1	X	Shim	Thickness .030"/.76MM
38	364523X1	12	Bolt	
39	353432X1	12	Lock Washer	
45	226675M2	1	Housing	Left Hand



FINAL DRIVE

Item	Part Number	Qty	Description	Comments
45	226677M2	1	Housing	Right Hand
46	363819X1	2	Plug	
47	831731M1	4	Pin	
48	222622M1	2	Plug	
49	190729M91	2	Breather	
50	226676M2	2	Axle	
51	359235X1	2	Ring	
52	234463M1	2	Stud	
53	353435X1	2	Nut Unf	
54	353436X1	2	Nut Unf	
55	832691M2	8	Bolt	
56	353435X1	8	Nut Unf	
57	353436X1	8	Nut Unf	
58	832691M2	6	Bolt	
59	239833M1	6	Washer	
60	363932X1	6	Nut Unf	
61	363819X1	2	Plug	
61	1855590M91	2	Plug	(C)

(A)  
LOW RATIO FINAL DRIVE

(B)  
HIGH RATIO FINAL DRIVE

(C)  
RICE MACHINES

(D)  
RIGHT HAND THREAD

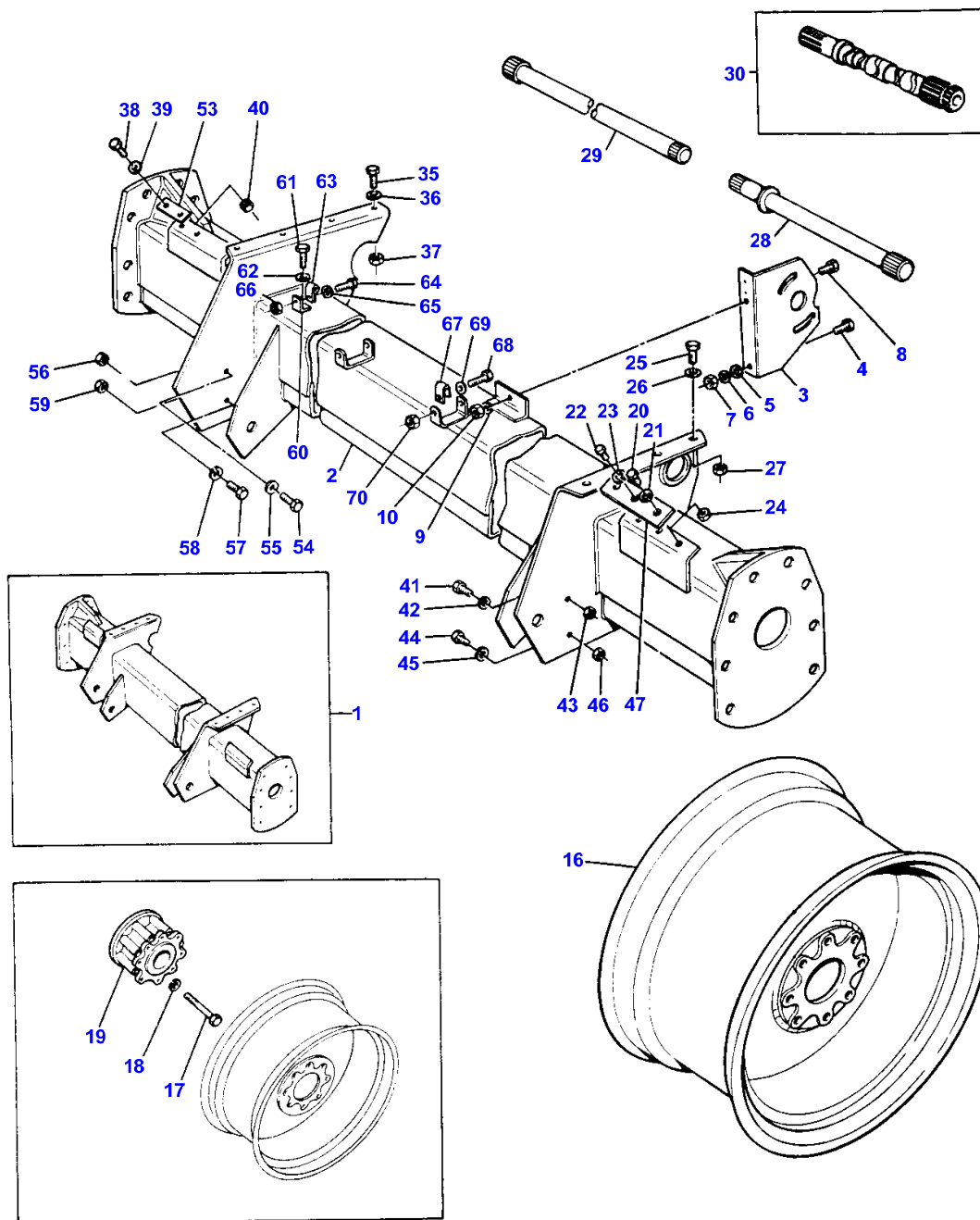
(E)  
LEFT HAND THREAD

612

AXLE FRAME AND FRONT WHEELS  
 ESSIEU ET ROUES AVANT  
 VORDERACHSE UND VORDERRAEUER  
 TELAIO ASSALE E RUOTE ANTERIORI  
 CAJA DEL EJE Y RUEDAS DELANTERAS

27813001

3-2781-001-A



**AXLE FRAME AND FRONT WHEELS**

Item	Part Number	Qty	Description	Comments
1	788358M92	1	Axle	
2		1	Axle	(1) Not serviced, order 788358M91
3	1855814M1	1	Support	(1)
4	227606M1	1	Bolt	(1)
5	353760X1	1	Flat Washers	(1)
6	353433X1	1	Lock Washer	(1)
7	353427X1	1	Nut Unf	(1)
8	353611X1	1	Screw Unf	(1)
9	353433X1	1	Lock Washer	(1)
10	353427X1	1	Nut Unf	(1)
16	792257M1	2	Wheel	Up to Serial or Engine Number 539 14" X 26"
16	1855683M2	2	Wheel	From Serial or Engine Number 539 14" X 26"
16	788477M2	2	Wheel	From Serial or Engine Number 539 15" X 30"
16	788474M1	2	Wheel	Up to Serial or Engine Number 539 18"X26"
	617894M2	2	Wheel	From Serial or Engine Number 539 18" X 26"
17	377199X1	8	Bolt Unf	(B) Up to Serial or Engine Number 539
17	377172X1	8	Bolt Unf	(B,D)
	377381X1	8	Bolt Unf	(B) From Serial or Engine Number 539
17	377322X1	8	Bolt	(B,D)
	353634X1	8	Bolt Unf	(B) Up to Serial or Engine Number 539
17	353646X1	8	Bolt Unf	(B,D)
	354579X1	8	Bolt Unf	(B) From Serial or Engine Number 539
17	354589X1	8	Bolt Unf	(B,D)
18	353433X1	16	Lock Washer	(B) Up to Serial or Engine Number 539
18	353440X1	16	Lock Washer	(B) From Serial or Engine Number 539
19	789174M1	1	Extension	(B) Left Hand Up to Serial or Engine Number 539
19	787865M1	1	Extension	Up to Serial or Engine Number 539 Up to Serial or Engine Number 1539 Left Hand
19	1855674M1	1	Extension	(B) Left Hand From Serial or Engine Number 539
19	784949M1	1	Extension	(B,D) From Serial or Engine Number 719 Left Hand
19	211195M2	1	Spacer	(B) Right Hand Up to Serial or Engine Number 539
19	228536M1	1	Spacer	(B,D) Right Hand Up to Serial or Engine Number 539
19	1855673M1	1	Extension	(B) From Serial or Engine Number 539 Right Hand
19	784950M1	1	Extension	(B,D) From Serial or Engine Number 539 Right Hand
20	353561X1	1	Screw Unf	Up to Serial or Engine Number 659
	353701X1	1	Screw Unc	From Serial or Engine Number 659
21	353432X1	1	Lock Washer	
22	353563X1	2	Bolt Unf	
23	353432X1	2	Lock Washer	
24	353426X1	2	Nut Unf	
25	353597X1	4	Bolt Unf	
26	338686X1	4	Washer	
27	353437X1	4	Nut Unf	
28	788192M1	1	Shaft	

AXLE FRAME AND FRONT WHEELS

Item	Part Number	Qty	Description	Comments
29	788191M1	1	Shaft	
30	784952M91	1	Shaft	(C) Left Hand
30	784953M91	1	Shaft	(C) Right Hand
35	353597X1	4	Bolt Unf	
36	338686X1	4	Washer	
37	353437X1	4	Nut Unf	
38	353563X1	2	Bolt Unf	Up to Serial or Engine Number 659
38	353701X1	2	Screw Unc	From Serial or Engine Number 659
39	353432X1	2	Lock Washer	
40	353426X1	2	Nut Unf	
41	376317X1	4	Screw	
42	338687X1	4	Washer	
43	353426X1	4	Nut Unf	
44	353560X1	4	Screw Unf	Up to Serial or Engine Number 659
44	353601X1	4	Bolt Unf	From Serial or Engine Number 659
45	353432X1	4	Lock Washer	Up to Serial or Engine Number 659
45	338686X1	4	Washer	From Serial or Engine Number 659
46	376449X1	4	Nut Unf	From Serial or Engine Number 659
47	226929M1	X	Shim	Thickness .38MM
47	226930M1	X	Shim	Thickness .76MM
47	226931M1	X	Shim	Thickness 1.52MM
53	788702M1	X	Shim	.38MM
53	788703M1	X	Shim	.76MM
53	788704M1	X	Shim	1.52MM
54	376317X1	4	Screw	
55	338687X1	4	Washer	
56	353426X1	4	Nut Unf	
57	353560X1	4	Screw Unf	Up to Serial or Engine Number 659
57	353601X1	4	Bolt Unf	From Serial or Engine Number 659
58	353432X1	4	Lock Washer	Up to Serial or Engine Number 659
58	338686X1	4	Washer	From Serial or Engine Number 659
59	376449X1	4	Nut Unf	From Serial or Engine Number 659
60	914578M1	2	Lug	(A)
61	353516X1	2	Screw Unf	(A)
62	353446X1	2	Lock Washer	(A)
63	786727M1	2	Clip	(A)
64	357433X1	2	Screw Unc	(A)
65	353444X1	2	Lock Washer	(A)
66	354119X1	2	Nut Unc	(A)
67	832303M1	2	Clip	(A)
68	353516X1	2	Screw Unf	(A)
69	353446X1	2	Lock Washer	(A)
70	353916X1	2	Nut Unf	(A)

(A)  
RICE COMBINES ONLY

(B)  
USE ONLY WITH 18 X 26 WHEELS

(C)  
RICE COMBINES WITH TRACKS

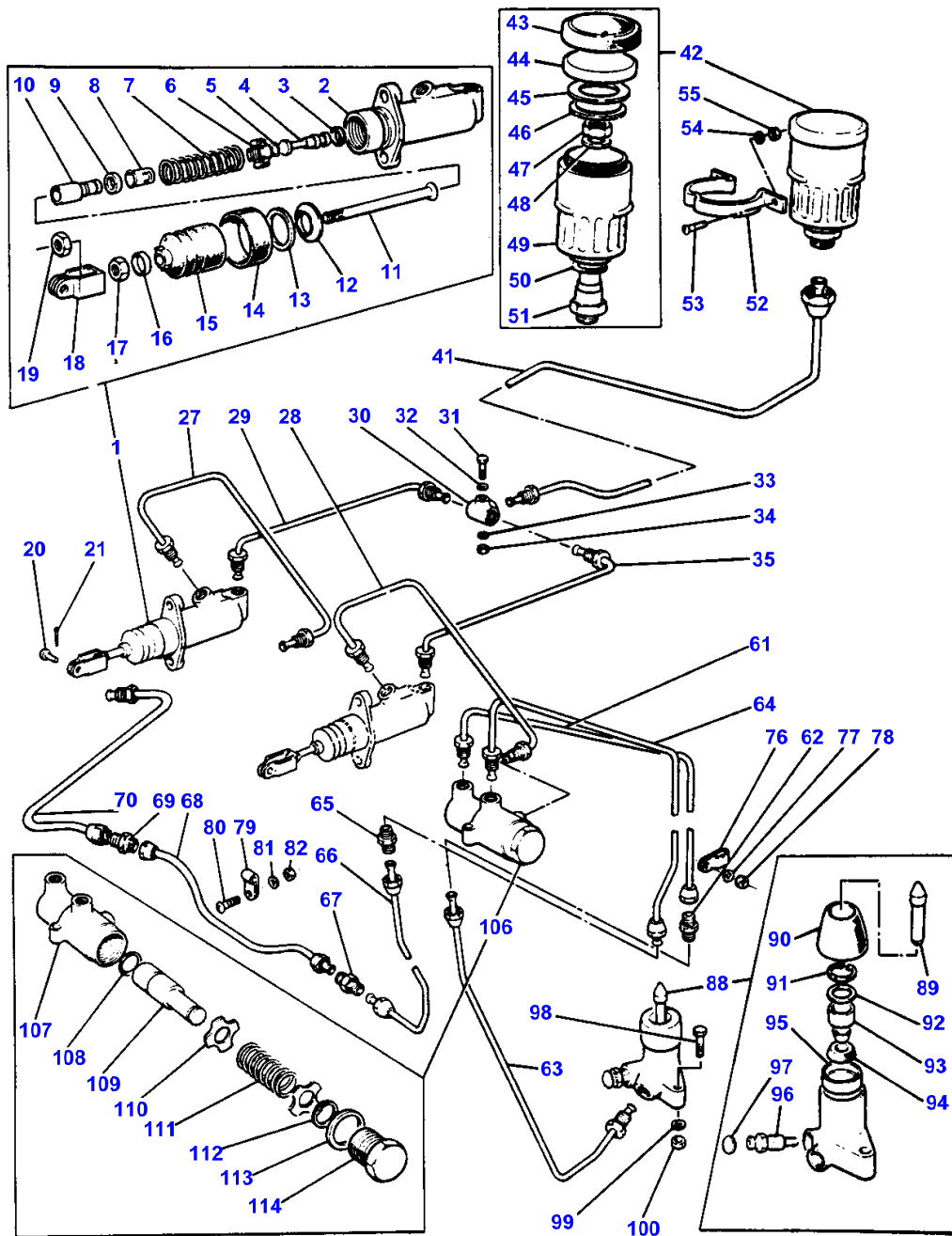
(D)  
RICE COMBINES WITH WHEELS

618

**BRAKE PIPES CYLINDERS AND SHUTTLE VALVE**  
**TUBES DE FREINS ET CILINDRES**  
**HYDRAULIKLEITUNG UND ZYLINDERS**  
**TUBAZIONI FRENI CILINDRI E VALVOLA**  
**TUBOS DE LOS FRENS Y CILINDROS**

28223001

3-2822-001-A



PRINTED IN U.K.

520 525

819611-M (1)

**MASSEY FERGUSON  
MF 520/525 COMBINES - 819611**

819611

618

**BRAKE PIPES CYLINDERS AND SHUTTLE VALVE**

Item	Part Number	Qty	Description	Comments
1	785624M91	2	Cylinder	
2		1	Cylinder	(1) Not serviced, order 785 624 M91
3	1885235M1	1	Head	(1)
4	1885237M1	1	Plunger	(1)
5		1	Retainer	(1) (E)
6		1	Buffer	(1) (E)
7	1885238M1	1	Spring	(1)
8	1885242M1	1	Retainer	(1)
9		1	Buffer	(1) (E)
10	1885240M1	1	Body	(1)
11	1885239M1	1	Rod	(1)
12	1885236M1	1	Washer	(1)
13		1	Circlip	(1) (E)
14		1	Retainer	(1) (E)
15		1	Boot	(1) (E)
16	1852964M1	1	Sleeve	(1)
17	1851993M1	1	Nut	(1)
18	1885241M1	1	Clevis	(1)
19	376447X1	1	Nut Unf	(1)
20	195234M1	2	Clevis Pin	
21	354055X1	2	Pin	
27	1855107M91	1	Tube	
28	786668M91	1	Tube	
29	786662M91	1	Tube	
30	786627M1	1	Teepiece	
31	353509X1	1	Bolt Unf	
32	786709M1	1	Spacer	
33	353441X1	1	Lock Washer	
34	353918X1	1	Nut Unf	
35	786664M91	1	Tube	
41	782942M92	1	Tube	
42	785807M92	1	Reservoir	
43	1885527M1	1	Cap	(42)
44	1885528M1	1	Cap	(42)
45	1885530M1	1	Gasket	(42)
46	1885529M1	1	Insert	(42)
47	1885416M1	1	Nut	(42)
48	1885414M1	1	Seal	(42)
49	785807M92	1	Reservoir	(42)
50	1885412M1	1	Seal	(42)
51	1885413M1	1	Union	(42)
52	785838M1	1	Clip	
53	354198X1	2	Screw Unc	
54	353445X1	2	Lock Washer	
55	354120X1	2	Nut	
61	1855047M91	1	Tube	
62	1850060M1	1	Union	
63	1855041M91	1	Tube	
64	1855045M91	1	Tube	
65	1850060M1	1	Union	
66	1855043M91	1	Tube	(A)
	1855555M92	1	Tube	(G)
67	1850060M1	1	Union	
68	1855071M91	1	Tube	(A)
	1855559M92	1	Tube	(G)
69	1850060M1	1	Union	
70	1855069M91	1	Tube	(A)
	1855562M92	1	Tube	(G)
76	786726M1	2	Tie	
77	353445X1	2	Lock Washer	
78	354120X1	2	Nut	
79	786727M1	4	Clip	
80	357433X1	4	Screw Unc	

BRAKE PIPES CYLINDERS AND SHUTTLE VALVE

Item	Part Number	Qty	Description	Comments
81	353444X1	4	Lock Washer	
82	354119X1	4	Nut Unc	
88	785625M91	2	Cylinder	(B)
88	785625M92	2	Cylinder	
89	1885428M1	1	Rod	(88)
				(D)
89	1889674M1	1	Rod	(88)
				(C)
90		1	Boot	(88)
				(F)
91		1	Circlip	(88)
				(F)
92	1885425M1	1	Washer	(88)
93	1885423M1	1	Piston	(88)
94		1	Seal	(88)
				(F)
95		1	Body	(88)
				Not serviced, order 785 625 M92
96	1885429M1	1	Screw	(88)
97		1	Cover	(88)
				(F)
98	353508X1	4	Bolt Unf	
99	353441X1	4	Lock Washer	
100	353918X1	4	Nut Unf	
106	786145M91	1	Valve	
107		1	Body	(106)
				Not serviced, order 786 145 M91
108		1	O Ring	(106)
				Not serviced, order 786 145 M91
109		1	Plunger	(106)
				Not serviced, order 786 145 M91
110		1	Washer	(106)
				Not serviced, order 786 145 M91
111		1	Spring	(106)
				Not serviced, order 786 145 M91
112	1885421M1	1	Circlip	(106)
113	1885420M1	1	Seal	(106)
114		1	Plug	(106)
				Not serviced, order 786 145 M91
120	1810304M91	X	Kit, Cylinder	(1)
				(H)
121	1885456M91	X	Kit, Cylinder	(88)
				(J)
122	1855752M91	X	Tube	(K)
123	1810573M91	X	Kit, Cylinder	(C)
				(A)
				NO LONGER SERVICED USE 1855 752 M91
				(B)
				NO LONGER SERVICED USE 785 625 M92
				(C)
				TO SERVICE 785 625 M92
				(D)
				TO SERVICE 785 625 M91
				(E)
				CONTAINED IN KIT 1810 304 M91
				(F)
				CONTAINED IN KIT 1885 456 M91
				(G)
				CONTAINED IN KIT 1855 752 M91
				(H)
				CONTAINS ITEMS MARKED (E)

**MASSEY FERGUSON  
MF 520/525 COMBINES - 819611**

**819611**

**BRAKE PIPES CYLINDERS AND SHUTTLE VALVE**

**618**

Item	Part Number	Qty	Description	Comments
				(J) CONTAINS ITEMS MARKED (F)
				(K) CONTAINS ITEMS MARKED (G)

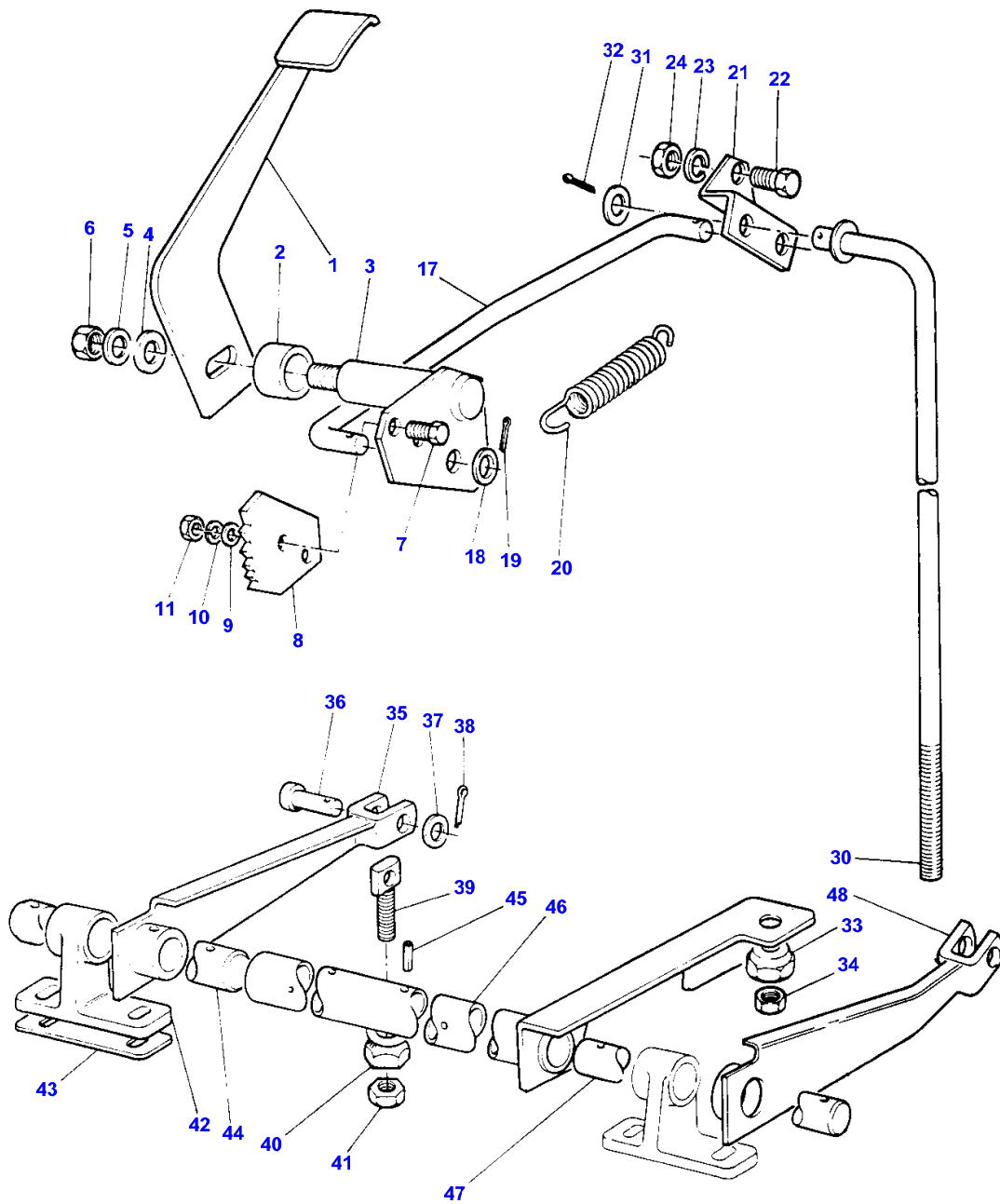


624

PARKING BRAKE AND LINKAGE  
 COMMANDE DE FREIN DE PARCAGE  
 GESTÄEGE FESTSTELLBREMSE  
 FRENO DI PARCHEGGIO E BIPELLISMI  
 CONTROLES DE FRENOS

28363001

3-2836-001-A



PRINTED IN U.K.

520 525

819611-H (1)

PARKING BRAKE AND LINKAGE

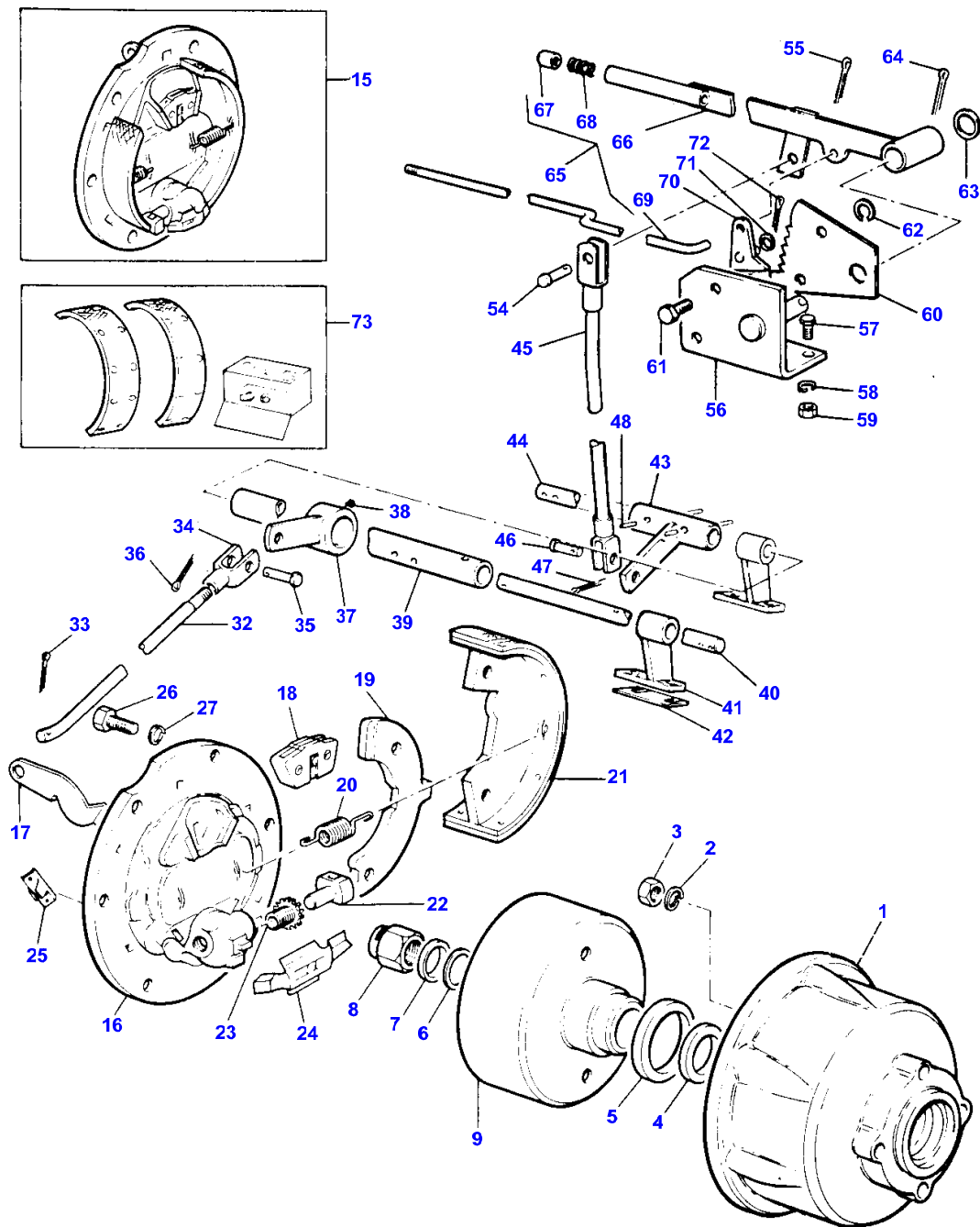
Item	Part Number	Qty	Description
1	226892M91	1	Arm
2	360626X1	1	Spacer
3	786460M91	1	Shaft
4	355620X1	1	Washer
5	353432X1	1	Lock Washer
6	353426X1	1	Nut Unf
7	353519X1	2	Screw Unf
8	228963M1	1	Ratchet
9	353755X1	2	Washer
10	353446X1	2	Lock Washer
11	353916X1	2	Nut Unf
17	226894M1	1	Link
18	353757X1	2	Washer
19	354048X1	2	Pin
20	70592M1	1	Spring
21	784997M1	1	Crank
22	226902M1	1	Bolt
23	353433X1	1	Lock Washer
24	353427X1	1	Nut Unf
30	789150M93	1	Rod
31	353757X1	2	Washer
32	354048X1	2	Pin
33	338817X1	1	Nut
34	353426X1	1	Nut Unf
35	786932M92	1	Arm
36	831490M1	2	Clevis Pin
37	355619X1	2	Washer
38	354057X1	2	Pin
39	904080M1	2	Shaft
40	338817X1	2	Nut
41	353426X1	2	Nut Unf
42	904127M91	2	Bracket
43	904130M1	X	Shim
44	617888M1	1	Shaft
45	360009X1	6	Pin
46	789132M94	1	Tube
47	617887M1	1	Shaft
48	789148M92	1	Arm

626

GEARBOX PARKING BRAKE  
 FREIN DE STATIONNEMENT SUR BOITE DE VITESSES  
 GETRIEBE-FESTSTELLBREMSE  
 SCATOLA INGRANAGGI FRENO DI PARCHEGGIO  
 FRENO PARADA CAJA CAMBIO

28403001

3-2840-001-A



PRINTED IN U.K.

ESP. ESP.

FRANCO. FR.

**MASSEY FERGUSON**

**MF 520/525 COMBINES - 819611**

819611

**GEARBOX PARKING BRAKE - GERMANY ONLY**

626

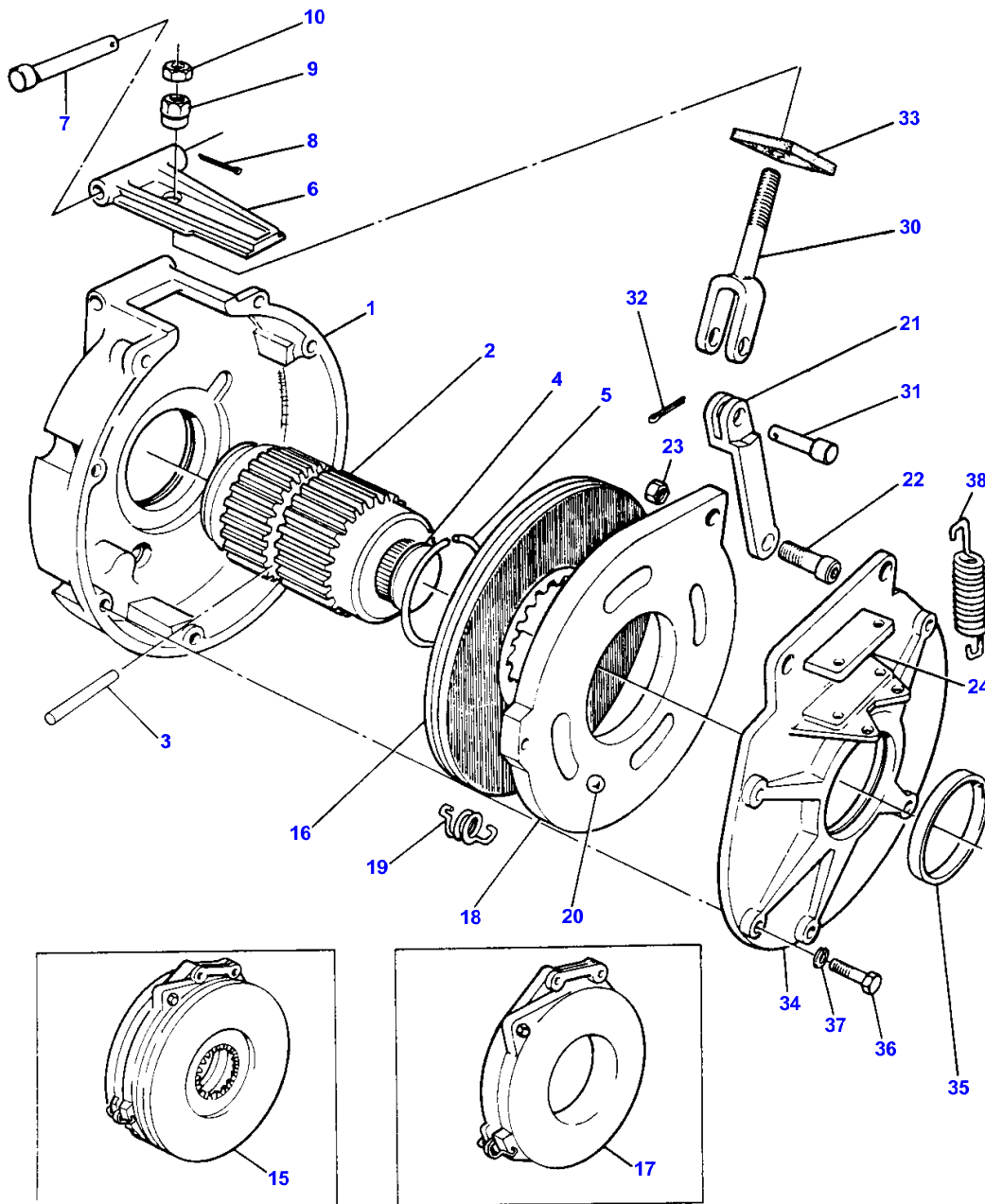
Item	Part Number	Qty	Description	Comments
				GERMANY ONLY
1	233895M1	1	Housing	
2	359404X1	4	Lock Washer	
3	353426X1	4	Nut Unf	
4	233896M1	1	Washer	
5	832125M1	1	Seal	
6	234041M1	1	Gasket	
7	353764X1	1	Washer	
8	357569X1	1	Nut Unf	
9	229598M2	1	Drum	
15	229596M91	1	Brake	
16	1505370M91	1	Plate	(15)
17	1505390M1	1	Lever	(15)
18	1505386M91	1	Wedge	(15)
19	1505838M1	1	Lever	(15)
				Left Hand
19	1505839M1	1	Lever	(15)
				Right Hand
20	1505385M1	2	Spring	(15)
21	1810361M91	1	Kit, Shoe	(15)
22	1505384M1	2	Pin	(15)
23	1505373M1	2	Bolt	(15)
24	1505374M1	1	Spring	(15)
25	1505391M1	2	Cover	(15)
26	353690X1	6	Screw Unc	
27	353434X1	6	Lock Washer	
32	617784M1	1	Rod	
33	354048X1	1	Pin	
34	210880M1	1	Arm	
35	354190X1	1	Pin	
36	354048X1	1	Pin	
37	617765M91	1	Lever	
38	360006X1	1	Pin	
39	789127M2	1	Tube	
40	617888M1	1	Shaft	Right Hand
41	904127M91	2	Bracket	
42	904130M1	X	Shim	
43	617768M91	1	Lever	
44	617887M1	1	Shaft	Left Hand
45	617770M91	1	Rod	
46	376401X1	1	Clevis Pin	
47	354057X1	1	Pin	
48	360009X1	4	Pin	
54	376401X1	1	Clevis Pin	
55	354057X1	1	Pin	
56	418614M91	1	Angle	
57	353518X1	3	Screw Unf	
58	353446X1	3	Lock Washer	
59	353916X1	3	Nut Unf	
60	418616M2	1	Quadrant	
61	339124X1	2	Screw Metric	
62	339374X1	2	Lock Washer	
63	1440301X1	1	Washer Metric	
64	339133X1	1	Pin	
65	617787M91	1	Lever	
66		1	Lever	(65)
				Not serviced, order 617 787 M91
67	401998M1	1	Button	(65)
68	402000M1	1	Spring	(65)
69	418618M1	1	Rod	(65)
70	418621M91	1	Handle	(65)
71	339024X1	1	Washer Metric	(65)
72	339087X1	1	Pin	(65)
73	835720M91	X	Kit, Lining	

630

**BRAKE ASSEMBLY**  
**FREINS DE ROUTE**  
**EINZELRADBREMSE**  
**FRENO COMPLETO**  
**FRENOS**

28213001

3-2821-001-A



BRAKE ASSEMBLY

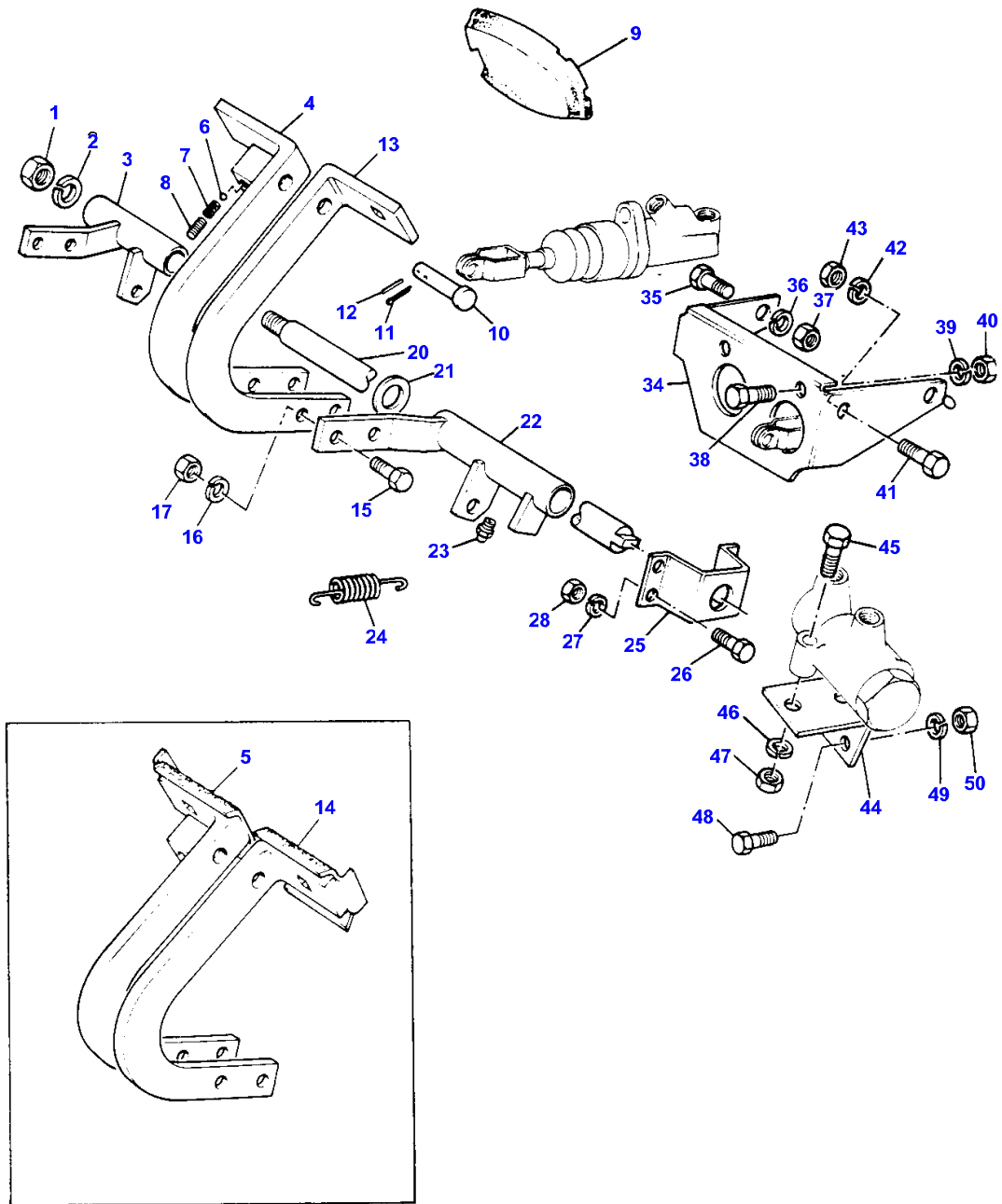
Item	Part Number	Qty	Description	Comments
1	785626M2	2	Housing	
2	237094M1	2	Shaft	
3	10460X	2	Pin	
4	239460M1	2	Disc	
5	831852M1	2	Ring	
6	785628M1	2	Lever	
7	831843M1	2	Pin	
8	354048X1	2	Pin	
9	338817X1	2	Nut	
10	353426X1	2	Nut Unf	
15	785623M92	2	Brake	
	913886M91	2	Brake	For Germany only or any text in German only
16	1885495M91	2	Disc	(15)
	1807004M1	2	Disc	(15)
				For Germany only or any text in German only
17	1885490M91	1	Actuator	(15)
	1805005M91	1	Actuator	(15)
				For Germany only or any text in German only
18		2	Disc	(17)
				Not serviced, order 1885 490 M91
18		1	Disc	(17)
				For Germany only or any text in German only
19	784509M1	2	Spring	(17)
20	16779X	4	Ball	(17)
21	1885494M1	2	Link	(17)
	1807009M1	2	Link	(17)
				For Germany only or any text in German only
22	1885493M1	2	Screw	(17)
23	1851993M1	2	Nut	(17)
24	619972M1	2	Spacer	(15)
				For Germany only or any text in German only
30	785633M91	2	Yoke	
31	354190X1	2	Pin	
32	354048X1	2	Pin	
33	228236M2	2	Seal	
34	785627M1	2	Cover	
35	832898M1	2	Seal	
36	353700X1	14	Screw Unc	
37	353432X1	14	Lock Washer	
38	243133M1	4	Spring	

632

TURNING BRAKE PEDALS ARRANGMENT  
 CONTROL DE FREINS  
 BETAETIGUNG EINZELRADBREMSE  
 PEDALE FRENO ROTAZIONE  
 CONTROLES DE LOS FRENOS

28373001

3-2837-001-A



## TURNING BRAKGE PEDALS ARRANGEMENT

Item	Part Number	Qty	Description
1	353427X1	1	Nut Unf
2	353433X1	1	Lock Washer
3	785629M91	1	Arm
4	796820M91	1	Pedal
5	1615339M92	1	Pedal
6	791356M1	1	Ball
7	C 2309	1	Spring
8	359029X1	1	Screw Unc
9	796905M1	2	Pad
10	793347M1	1	Pin
11	354048X1	1	Pin
12	353483X1	1	Pin
13	796823M1	1	Pedal
14	1615338M92	1	Pedal
15	353520X1	2	Bolt Unf
16	353446X1	2	Lock Washer
17	353916X1	2	Nut Unf
20	226873M1	1	Shaft
21	377061X1	X	Washer
22	786658M91	1	Arm
23	13811X	1	Grease Nipple
24	214446M1	1	Spring
25	226907M1	1	Support
26	353517X1	4	Screw Unf
27	353446X1	4	Lock Washer
28	353916X1	4	Nut Unf
34	788188M1	1	Bracket
35	353536X1	2	Screw Unf
36	353434X1	2	Lock Washer
37	353431X1	2	Nut Unf
38	353519X1	4	Screw Unf
39	353446X1	4	Lock Washer
40	353916X1	4	Nut Unf
41	353538X1	2	Screw Unf
42	353434X1	2	Lock Washer
43	353431X1	2	Nut Unf
44	786491M1	1	Bracket
45	353508X1	2	Bolt Unf
46	353441X1	2	Lock Washer
47	353918X1	2	Nut Unf
48	353502X1	2	Screw Unf
49	353441X1	2	Lock Washer
50	353918X1	2	Nut Unf

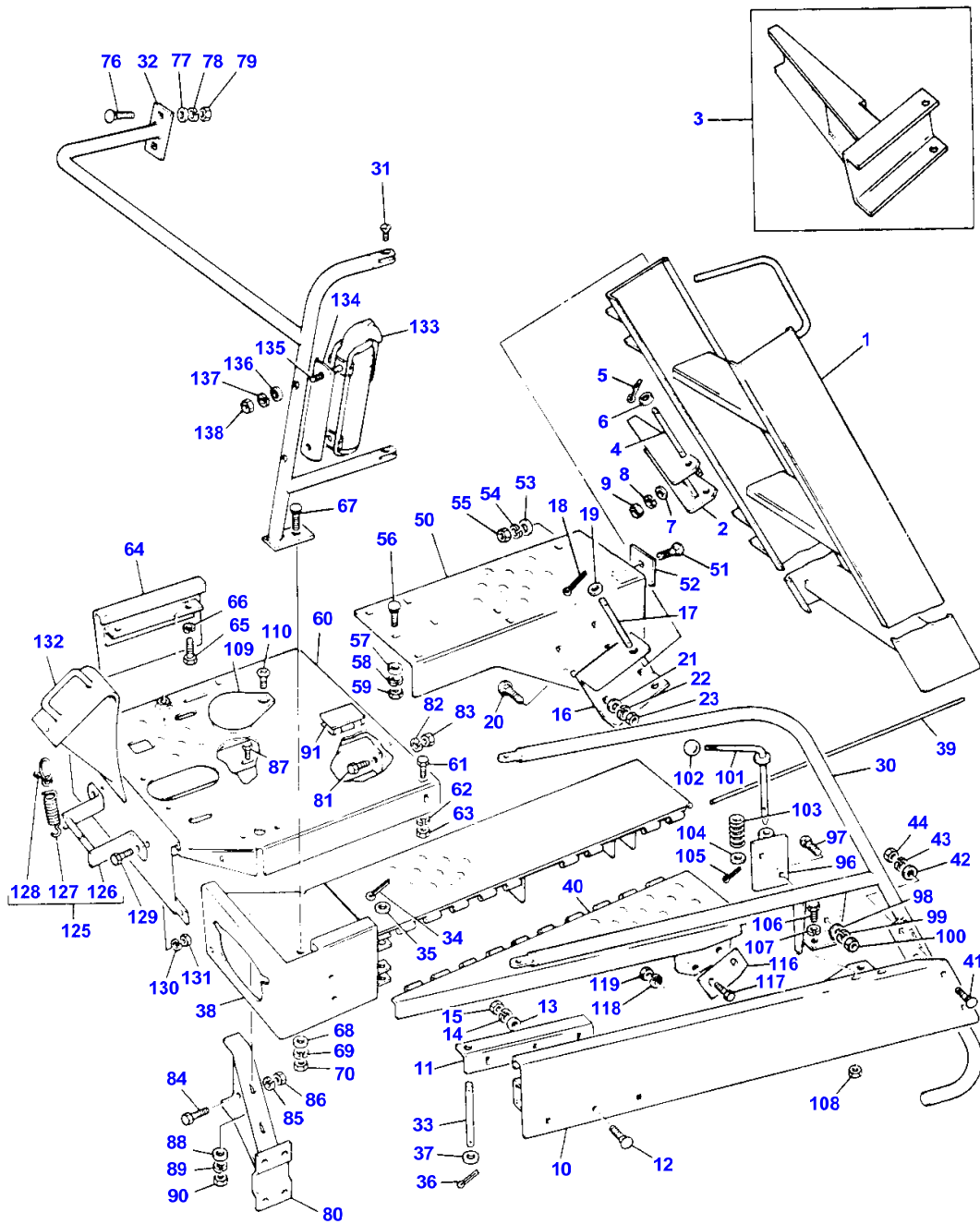


634

OPERATORS PLATFORM  
 PLATE FORME DE CONDUITE  
 FAHRERSTAND  
 PEDANA DEL CONDUTTORE  
 PLATAFORMA CONDUCTOR

29053001

3-2905-001-A



OPERATORS PLATFORM

Item	Part Number	Qty	Description	Comments
1	783660M95	1	Ladder	
2	784545M91	1	Hinge	
3	1855870M91	1	Hinge	(A)
4	912253M1	1	Pin	
5	354074X1	2	Pin	
6	353758X1	2	Washer	
7	353758X1	6	Washer	
8	353439X1	6	Lock Washer	
9	353437X1	6	Nut Unf	
10	784452M92	1	Trim	
11	784455M2	1	Angle	
12	359998X1	3	Bolt Unf	
13	353755X1	3	Washer	
14	353446X1	3	Lock Washer	
15	353916X1	3	Nut Unf	
16	912249M1	1	Hinge	
	1855871M1	1	Hinge	(A)
17	912253M1	1	Pin	
18	354074X1	2	Pin	
19	353758X1	2	Washer	
20	359985X1	4	Bolt Unf	
21	353758X1	4	Washer	
22	353439X1	4	Lock Washer	
23	353437X1	4	Nut Unf	
30	1616504M91	1	Rail	(B)
	784448M92	1	Rail	(C)
31	355103X1	2	Screw	
32	1616501M91	1	Rail	(C)
	1616502M91	1	Rail	(B)
33	784479M1	1	Pin	
34	354048X1	1	Pin	
35	353755X1	1	Washer	
36	354048X1	1	Pin	
37	353755X1	1	Washer	
38	783652M93	1	Extension	Without or not For France only or any text in French only Up to Serial or Engine Number 2017
38	782843M96	1	Extension	For France only or any text in French only From Serial or Engine Number 2017
39	912988M1	1	Pin	
40	784450M92	1	Extension	
41	359998X1	2	Bolt Unf	
42	353755X1	2	Washer	
43	353446X1	2	Lock Washer	
44	353916X1	2	Nut Unf	
50	782799M92	1	Platform	
51	353793X1	2	Bolt Unf	
52	619228M1	1	Spacer	
53	353755X1	2	Washer	
54	353446X1	2	Lock Washer	
55	353916X1	2	Nut Unf	
56	353793X1	5	Bolt Unf	
57	353755X1	5	Washer	
58	353446X1	5	Lock Washer	
59	353916X1	5	Nut Unf	
60	617895M94	1	Platform	
61	353505X1	15	Screw Unf	
62	353446X1	15	Lock Washer	
63	353916X1	15	Nut Unf	
64	783287M93	1	Trim	
65	353517X1	2	Screw Unf	
66	353446X1	2	Lock Washer	
67	359998X1	1	Bolt Unf	
68	353755X1	1	Washer	
69	353446X1	1	Lock Washer	
70	353916X1	1	Nut Unf	
76	353793X1	2	Bolt Unf	(D)
77	353755X1	2	Washer	(D)
78	353446X1	2	Lock Washer	(D)
79	353916X1	2	Nut Unf	(D)

**OPERATORS PLATFORM**

Item	Part Number	Qty	Description	Comments
80	796001M91	1	Support	
81	353529X1	4	Bolt Unf	
82	353446X1	4	Lock Washer	
83	353916X1	4	Nut Unf	
84	353560X1	2	Screw Unf	
85	353432X1	2	Lock Washer	
86	353426X1	2	Nut Unf	
87	353517X1	2	Screw Unf	
88	353755X1	2	Washer	
89	353446X1	2	Lock Washer	
90	353916X1	2	Nut Unf	
91	617871M91	1	Plate	
96	1855121M91	1	Plate	
97	359998X1	2	Bolt Unf	
98	353755X1	2	Washer	
99	353446X1	2	Lock Washer	
100	353916X1	2	Nut Unf	
101	784514M92	1	Pin	
102	787090M1	1	Knob	
103	1855017M1	1	Spring	
104	784516M1	1	Washer	
105	354048X1	1	Pin	
106	353501X1	2	Screw Unf	
107	353441X1	2	Lock Washer	
108	353918X1	2	Nut Unf	
109	636511M1	1	Cover	
110	360369X1	1	Screw	
116	1855873M1	2	Plate	
117	353517X1	4	Screw Unf	
118	353446X1	4	Lock Washer	
119	353916X1	4	Nut Unf	
125	419990M91	1	Support	For Germany only or any text in German only
126		1	Support	(125)
				Not serviced, order 419 990 M91
127	322980M1	1	Spring	(125)
				For Germany only or any text in German only
128	322979M1	1	Knotter Hook	(125)
				For Germany only or any text in German only
129	353559X1	2	Screw Unf	For Germany only or any text in German only
130	353432X1	2	Lock Washer	For Germany only or any text in German only
131	353426X1	2	Nut Unf	For Germany only or any text in German only
132	419049M1	1	Wedge	
133	916533M1	1	Extinguisher	
134	617736M2	1	Plate	
135	338655X1	2	Screw	
136	353754X1	2	Washer	
137	353441X1	2	Lock Washer	
138	353918X1	2	Nut Unf	

(A)  
RICE COMBINES WITH TRACKS

(B)  
HIGH VERSION

(C)  
STANDARD VERSION

(D)  
4 OFF REQD WITH HIGH VERSION

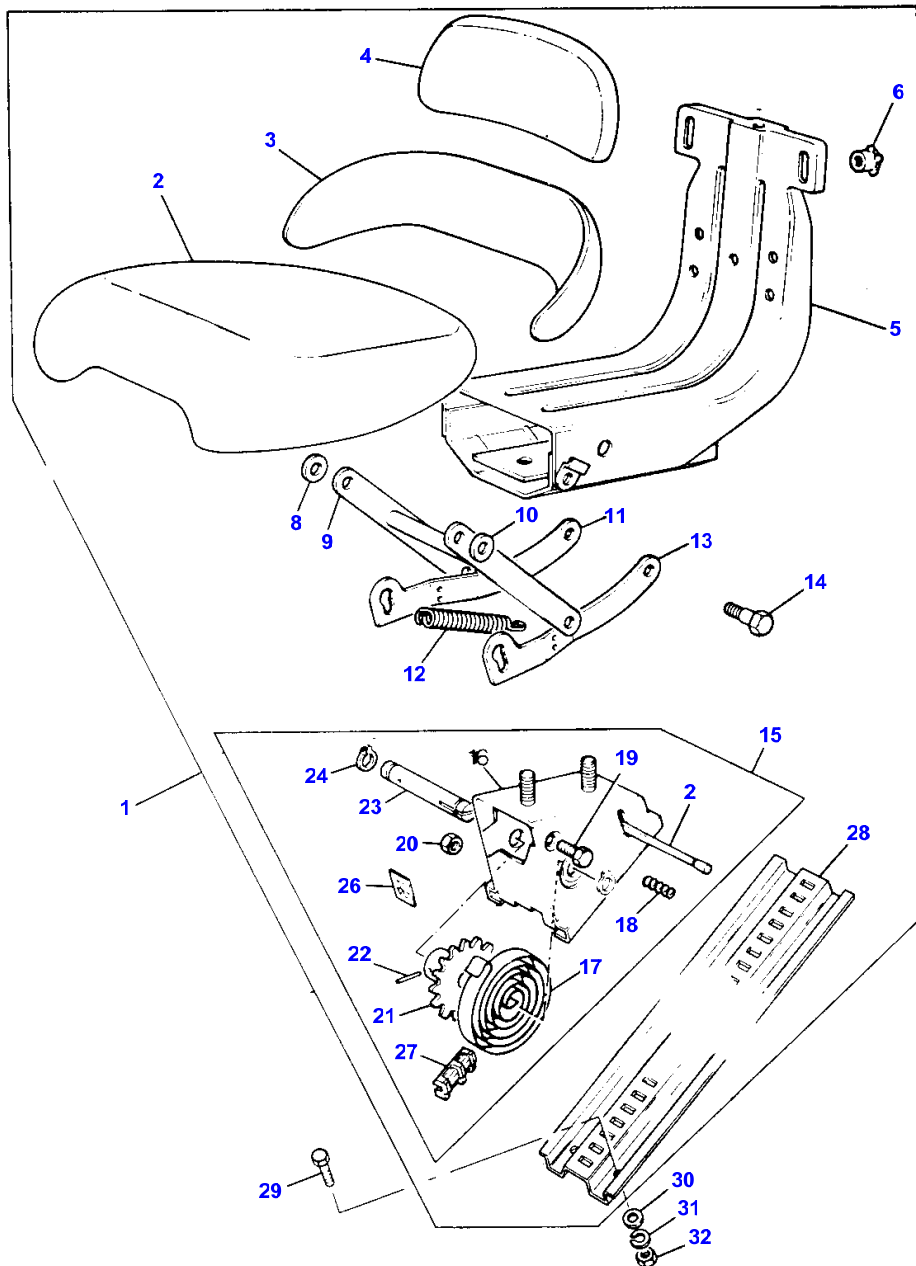
640

SEAT  
SIEGE  
FAHRERSITZ  
SEDILE  
ASIENTO

STANDARD  
STANDARD  
STANDARD  
STANDARD  
STANDARD

29133001

3-2913-001-A



SEAT-STANDARD

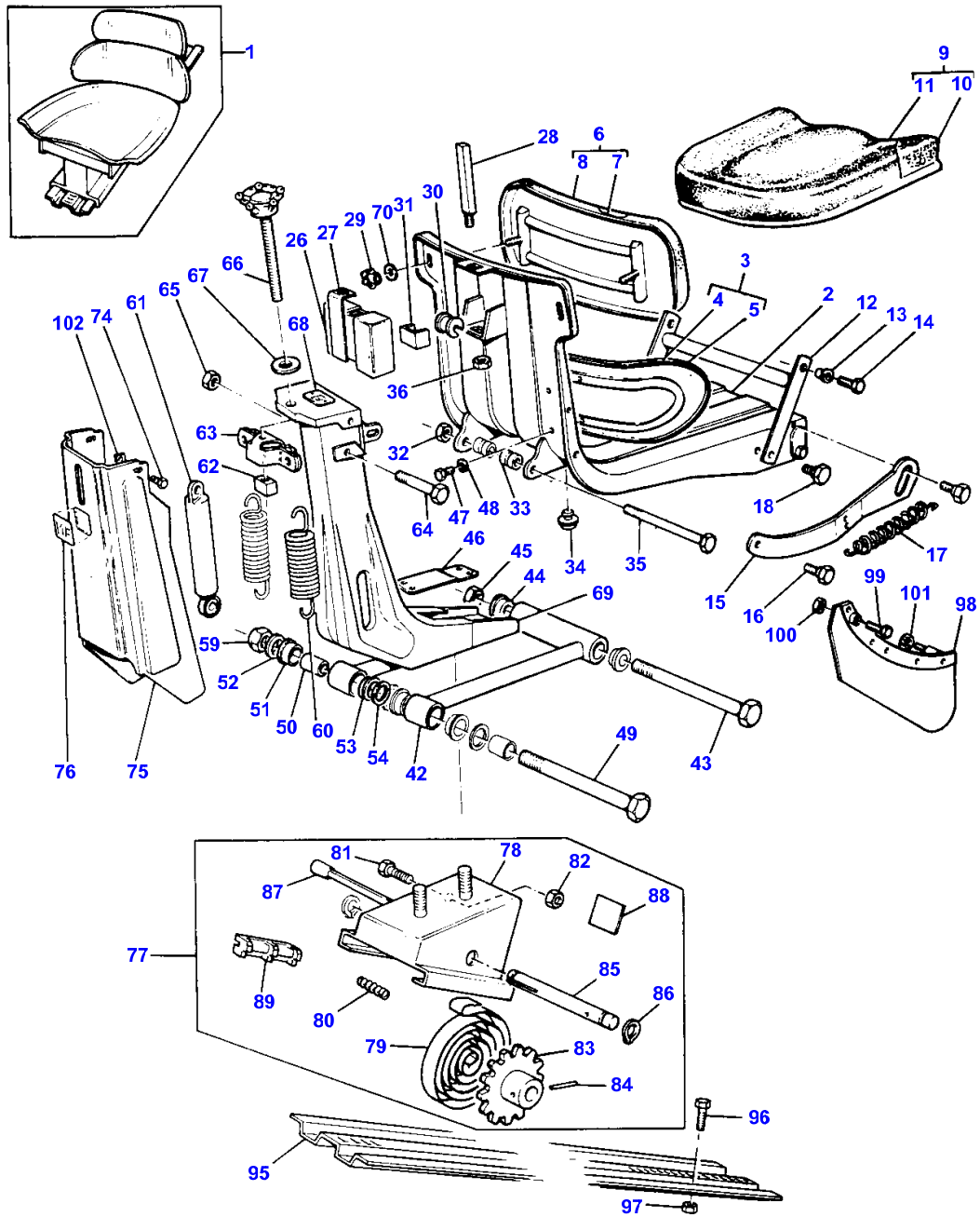
Item	Part Number	Qty	Description	Comments
1	912811M1	1	Seat	
2	1805774M1	1	Seat	(1)
3	1645998M91	1	Back Rest	(1)
4	1645999M91	1	Latex	(1)
5	1807223M1	1	Arm	(1)
6	1805775M1	2	Knob	(1)
7	1807229M1	1	Plate	(1)
8	1804953M1	1	Spacer	(1)
9	1805767M1	1	Link	(1)
10	1804953M1	1	Spacer	(1)
11	1805768M1	1	Arm	(1)
				Right Hand
12	1807221M1	1	Spring	(1)
13	1805769M1	1	Arm	(1)
				Left Hand
14	1805770M1	6	Screw	(1)
15	1807225M1	1	Pedestal	(1)
16	1630871M91	1	Pedestal	(15)
17	1805779M1	1	Spring	(15)
18	1630872M1	1	Spring	(15)
19	1630873M1	1	Screw	(15)
20	1638385M1	1	Nut	(15)
21	1630875M91	1	Sprocket	(15)
22	1638405M1	1	Pin	(15)
23	1630876M1	1	Shaft	(15)
24	1630874M1	2	Retainer	(15)
25	1630877M1	1	Handle	(15)
26	1806698M1	1	Label	(15)
27	1805757M1	4	Slide	(15)
28	1807231M1	1	Rack	(1)
29	353518X1	4	Screw Unf	
30	353755X1	4	Washer	
31	353446X1	4	Lock Washer	
32	353916X1	4	Nut Unf	

642

SEAT SPRING SUSPENSION  
 SIEGE SUSPENSION A RESSORT  
 FAHRERSITZ HYDRAULISCHE GEDAEPFT  
 SEGGIOLINO SOSPESO SU MOLLA  
 ASIENTO SUSPENSION

29243002

3-2924-002-A



**SEAT SPRING SUSPENSION**

Item	Part Number	Qty	Description	Comments
1	617565M1	1	Seat	
2	1807222M1	1	Arm	(1)
3	1645998M91	1	Back Rest	(1)
4		1	Back Rest	(3) Not serviced, order 1645 998 M91
5	1638445M1	1	Cover	(3)
6	1645999M91	1	Latex	(1)
7		1	Back Rest	(6) Not serviced, order 1645 999 M91
8	1638446M1	1	Cover	(6)
9	1638375M91	1	Cushion	(1)
10		1	Cushion	(9) Not serviced, order 1638 375 M91
11	1638444M1	1	Cover	(9)
12	1805767M1	1	Link	(1)
13	1804953M1	2	Spacer	(1)
14	1804952M1	2	Bolt	(1)
15	1805768M1	1	Arm	(1)
15	1805769M1	1	Arm	(1) Right Hand Left Hand
16	1805770M1	4	Screw	(1)
17	1807221M1	1	Spring	(1)
18	1805770M1	2	Screw	(1)
26	1806723M1	1	Housing	(1)
27	1806708M1	1	Plate	(1)
28	1806705M1	1	Rod	(1)
29	1805775M1	1	Knob	(1)
30	1806703M1	1	Roller	(1)
31	1806704M1	1	Shoe	(1)
32	1638396M1	3	Nut	(1)
33	1804960M1	2	Bush	(1)
34	1806707M1	1	Bumper	(1)
35	1804970M1	1	Bolt	(1)
36	1638385M1	1	Nut	(1)
42	1638390M1	1	Arm	(1)
43	1804955M1	1	Bolt	(1)
44	1804961M1	4	Bush	(1)
45	1638388M1	1	Nut	(1)
46	1804957M1	1	Plate	(1)
47	1804966M1	4	Screw	(1)
48	1804967M1	6	Washer	(1)
49	1807227M1	1	Bolt	(1)
50	1804972M1	2	Bush	(1)
51	1804965M1	2	Bush	(1)
52	1638389M1	2	Washer	(1)
53	1804965M1	2	Bush	(1)
54	1638389M1	2	Washer	(1)
59	1638392M1	1	Nut	(1)
60	1804943M1	2	Spring	(1)
61	1630894M1	1	Shock Absorber	(1)
62	1806713M1	1	Nut	(1)
63	1806712M1	1	Support	(1)
64	1806715M1	1	Bolt	(1)
65	1638385M1	1	Nut	(1)
66	1804996M1	1	Knob	(1)
67	1804991M1	1	Washer	(1)
68	1806719M1	1	Label	(1)
69	1806720M1	1	Pedestal	(1)
70	1806697M1	2	Washer	(1)
74	1806700M1	2	Bolt	(1)
75	1638393M91	1	Housing	(1)
76	1806698M1	1	Label	(1)
77	1807225M1	1	Pedestal	(1)
78	1630871M91	1	Pedestal	(77)
79	1805779M1	1	Spring	(77)
80	1630872M1	1	Spring	(77)
81	1630873M1	1	Screw	(77)
82	1638385M1	1	Nut	(77)
83	1630875M91	1	Sprocket	(77)

SEAT SPRING SUSPENSION

Item	Part Number	Qty	Description	Comments
84	1638405M1	1	Pin	(77)
85	1630876M1	1	Shaft	(77)
86	1630874M1	2	Retainer	(77)
87	1630877M1	1	Handle	(77)
88	1806698M1	1	Label	(77)
89	1805757M1	4	Slide	(77)
95	1807231M1	1	Rack	(1)
96	1638387M1	2	Bolt	(1)
97	1804968M1	2	Nut	(1)
98	1806710M1	1	Curtain	(1)
				Right Hand
98	1806711M1	1	Curtain	(1)
				Left Hand
99	1638394M1	2	Bolt	(1)
100	1638380M1	2	Nut	(1)
101	1638381M1	2	Nut	(1)
102	1806701M1	2	Nut	(1)

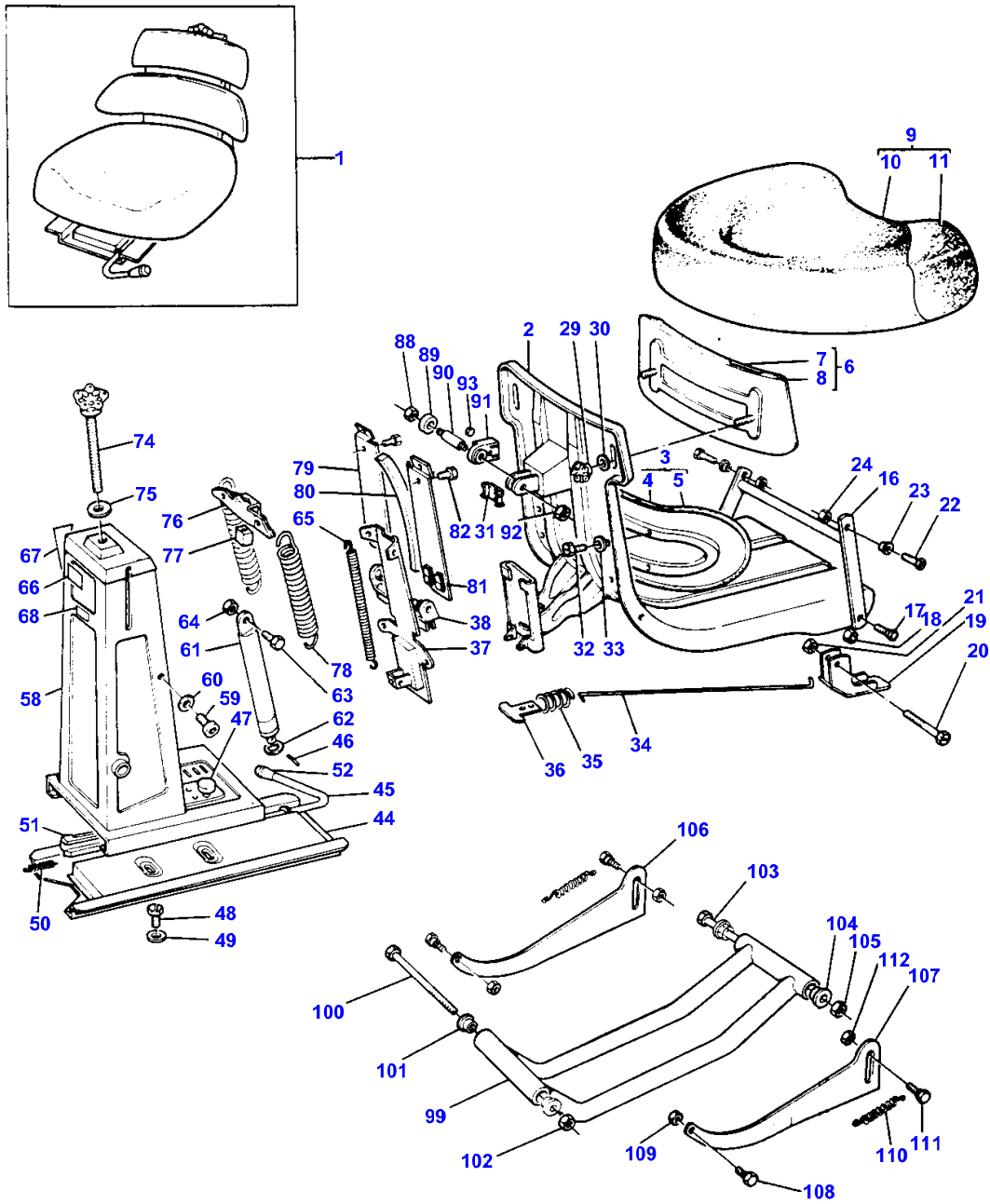


646

SEAT SPRING SUSPENSION  
 SIEGE SUSPENSION A RESSORT  
 FAHRERSITZ HYDRAULISCHE GEDAEPFT  
 SEGGIOLINO SOSPESO SU MOLLA  
 ASIEN TO SUSPENSION

29243003

3-2924-003-A



SEAT SPRING SUSPENSION - GERMANY ONLY

Item	Part Number	Qty	Description	Comments
				GERMANY ONLY
1	1615454M1	1	Seat	
2	1635863M91	1	Arm	(1)
3	1645998M91	1	Back Rest	(1)
4		1	Back Rest	(3) Not serviced, order 1645 998 M91
5	1638445M1	1	Cover	(3)
6	1645999M91	1	Latex	(1)
7		1	Back Rest	(6) Not serviced, order 1645 999 M91
8	1638446M1	1	Cover	(6)
9	1638375M91	1	Cushion	(1)
10		1	Cushion	(9) Not serviced, order 1638 375 M91
11	1638444M1	1	Cover	(9)
16	1805767M1	1	Link	(1)
17	1805770M1	2	Screw	(1)
18	1638385M1	2	Nut	(1)
19	1635862M1	1	Handle	(1)
20	1638410M1	1	Bolt	(1)
21	1638380M1	1	Nut	(1)
22	1804952M1	2	Bolt	(1)
23	1804953M1	2	Spacer	(1)
24	1638385M1	2	Nut	(1)
29	1805775M1	2	Knob	(1)
30	1806697M1	2	Washer	(1)
31	1806704M1	1	Shoe	(1)
32	1804966M1	4	Screw	(1)
33	1804967M1	4	Washer	(1)
34	1635861M1	1	Rod	(1)
35	1638403M1	1	Spring	(1)
36	1638404M1	1	Catch	(1)
37	1638418M1	1	Rack	(1)
38	1638401M1	1	Spacer	(1)
44	1632963M1	1	Plate	(1)
45	1632964M91	1	Latch	(1)
46	1638405M1	1	Pin	(1)
47	1806707M1	2	Bumper	(1)
48	1632960M1	2	Screw	(1)
49	1632958M1	2	Washer	(1)
50	1632957M1	1	Spring	(1)
51	1805757M1	4	Slide	(1)
52	1632955M1	1	Handle	(1)
58	1632962M1	1	Bracket	(1)
59	1638414M1	2	Bolt	(1)
60	1638413M1	2	Washer	(1)
61	1638400M1	1	Bumper	(1)
62	1632961M1	1	Washer	(1)
63	1638408M1	1	Bolt	(1)
64	1638385M1	1	Nut	(1)
65	1638395M1	2	Spring	(1)
66	1806698M1	1	Label	(1)
67	1638417M1	1	Decal	(1)
68	1638417M1	1	Decal	(1)
74	1804996M1	1	Knob	(1)
75	1804991M1	1	Washer	(1)
76	1805749M1	1	Bracket	(1)
77	1806713M1	1	Nut	(1)
78	1638402M1	2	Spring	(1)
79	1638397M1	1	Plate	(1)
				Left Hand
81	1638398M1	1	Plate	(1)
				Right Hand
82	1638407M1	2	Bolt	(1)
88	1638381M1	1	Nut	(1)
89	1630887M1	1	Roller	(1)
90	1630890M1	1	Pin	(1)
91	1630889M1	2	Bracket	(1)
92	1638381M1	1	Nut	(1)

SEAT SPRING SUSPENSION - GERMANY ONLY

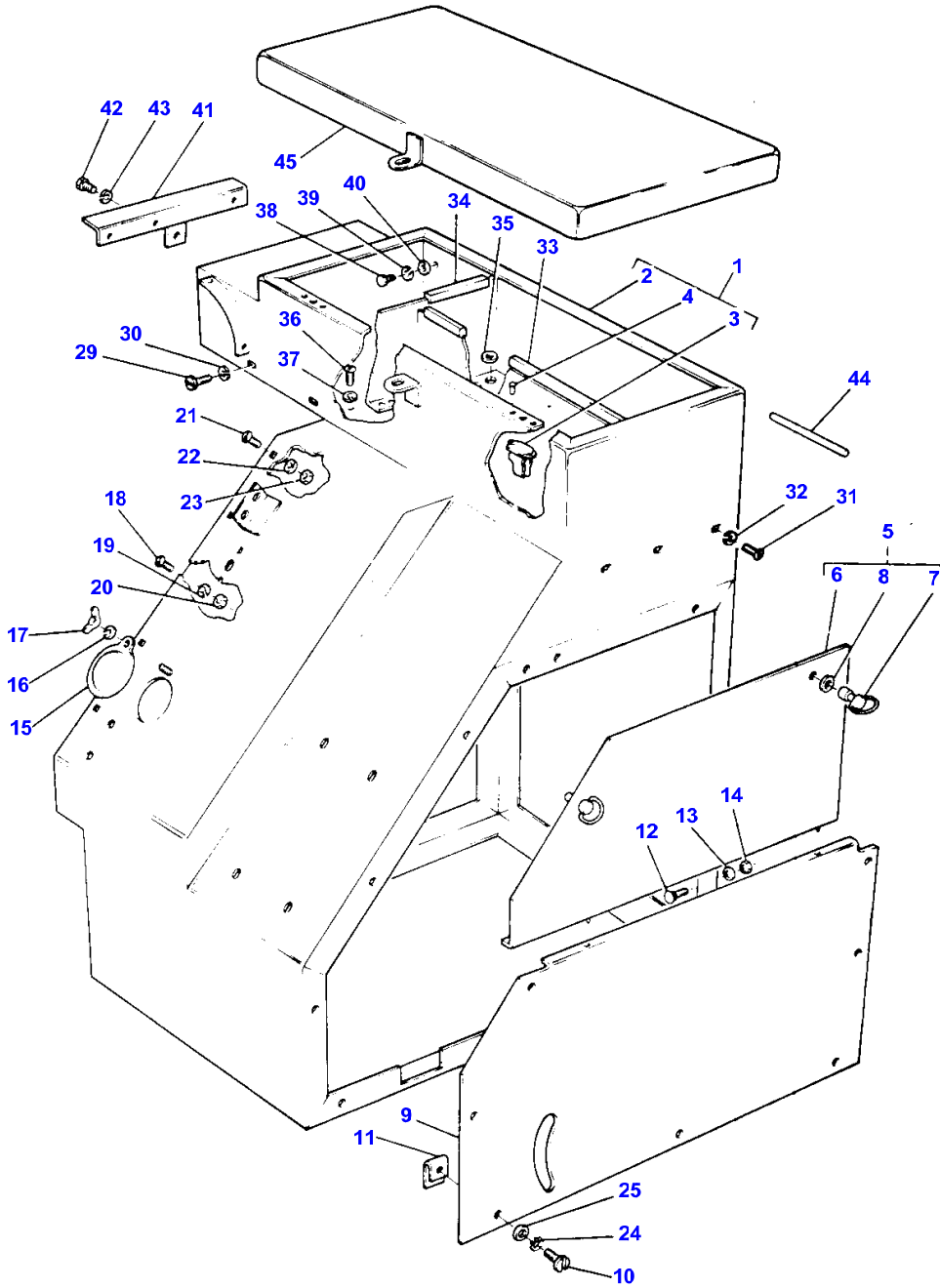
Item	Part Number	Qty	Description	Comments
93	1630888M1	2	Pad	(1)
99	1635860M91	1	Arm	(1)
100	1638415M1	1	Bolt	(1)
101	1804961M1	2	Bush	(1)
102	1638388M1	1	Nut	(1)
103	1804955M1	1	Bolt	(1)
104	1804961M1	2	Bush	(1)
105	1638388M1	1	Nut	(1)
106	1805768M1	1	Arm	(1)
				Right Hand
107	1805769M1	1	Arm	(1)
				Left Hand
108	1805770M1	2	Screw	(1)
109	1638385M1	2	Nut	(1)
110	1807221M1	2	Spring	(1)
111	1805770M1	2	Screw	(1)
112	1638385M1	2	Nut	(1)

650

SEAT SUPPORT  
 SIEGE SUPPORT  
 FAHRERSITZ HALTER  
 SEGGIOLINO TELAIETTO  
 ASIENTO SOPORTE

29313001

3-2931-001-A



**MASSEY FERGUSON  
MF 520/525 COMBINES - 819611**

819611

650

**SEAT SUPPORT - UP TO SERIAL NO 5280**

Item	Part Number	Qty	Description	Comments
				UP TO SERIAL NO 5280
1	1616913M91	1	Support	
2		1	Support	(1) Not serviced, order 1616 913 M91
3	783979M1	2	Clip	(1)
4	19842X	4	Rivet	(1)
5	782672M93	1	Cover	(A)
6		1	Panel	(5) Not serviced, order 782 672 M93
7	782686M1	2	Latch	(5)
8	786051M2	2	Cup	(5)
9	782668M91	1	Cover	(B) Up to Serial or Engine Number 376
9	782668M92	1	Cover	(C) From Serial or Engine Number 376
10	377285X1	7	Screw	
11	377284X1	7	Nut	
12	359998X1	X	Bolt Unf	
13	353446X1	X	Lock Washer	
14	353916X1	X	Nut Unf	
15	230528M1	1	Cover	
16	353446X1	1	Lock Washer	
17	355593X1	1	Nut Unc	
18	359998X1	6	Bolt Unf	
19	353446X1	6	Lock Washer	
20	353916X1	6	Nut Unf	
21	359998X1	1	Bolt Unf	
22	353446X1	1	Lock Washer	
23	353916X1	1	Nut Unf	
24	359004X1	7	Lock Washer	
25	353754X1	7	Washer	
29	376387X1	2	Screw	
30	353446X1	2	Lock Washer	
31	376387X1	3	Screw	
32	353446X1	3	Lock Washer	
33	912792M1	1	Trim	
34	912791M1	1	Trim	
35	377132X1	2	Grommet	
36	376387X1	2	Screw	
37	353446X1	2	Lock Washer	
38	353516X1	2	Screw Unf	
39	353446X1	2	Lock Washer	
40	353755X1	2	Washer	
41	1615473M91	1	Angle	
42	353516X1	3	Screw Unf	
43	353446X1	3	Lock Washer	
44	783989M2	2	Rod	
45	783983M93	1	Cover	

(A)  
NO LONGER SERVICED ORDER 1616 560 M91,1616 564 M91 AND 1855 797 M91-2  
OFF

(B)  
NO LONGER SERVICED,ORDER 782 668 M92 WITH 912 319 M91

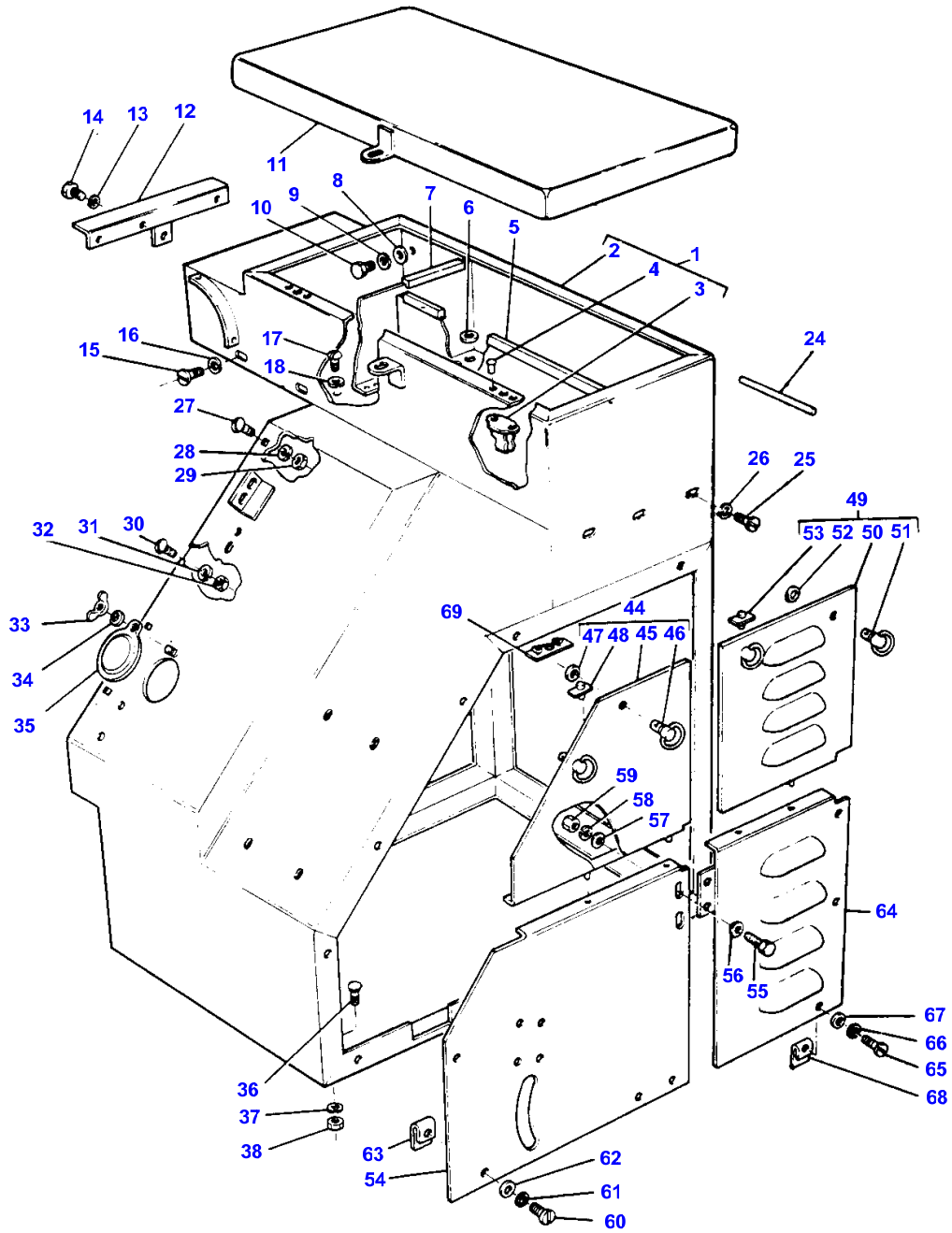
(C)  
NO LONGER SERVICED,ORDER 1616 556 M91,1616 620 M91 AND 782 715 M92-2  
OFF

654

SEAT SUPPORT  
 SIEGE SUPPORT  
 FAHRERSITZ HALTER  
 SEGGIOLINO TELAIETTO  
 ASIENTO SOPORTE

28313002

3-2931-002-A



PRINTED IN U.S.A.

**MASSEY FERGUSON  
MF 520/525 COMBINES - 819611**

819611

654

**SEAT SUPPORT - FROM SERIAL NO 5280**

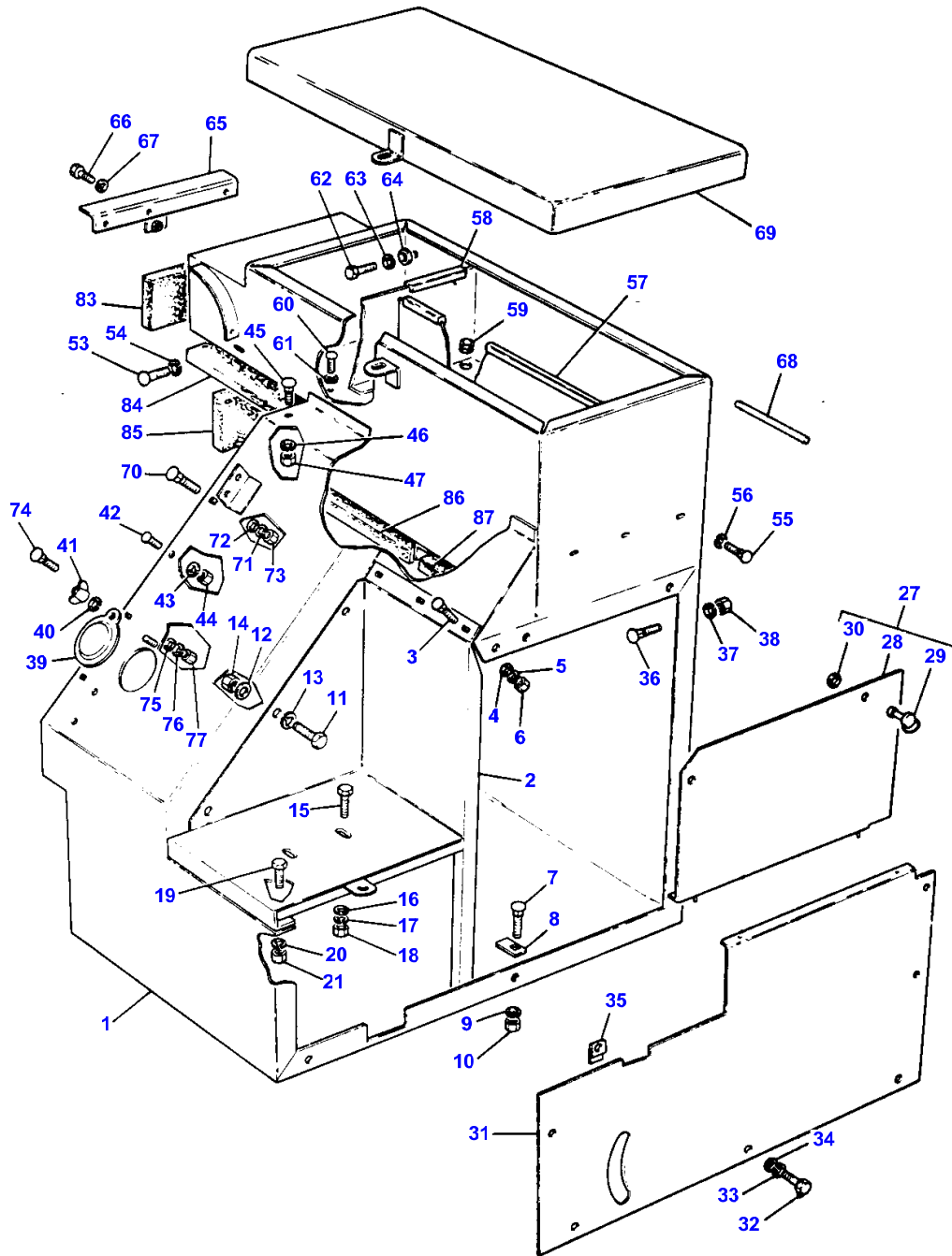
Item	Part Number	Qty	Description	Comments
				FROM SERIAL NO 5280
1	1616913M91	1	Support	
2		1	Support	(1) Not serviced, order 1616 913 M91
3	783979M1	2	Clip	(1)
5	912792M1	1	Trim	
6	377132X1	2	Grommet	
7	912791M1	1	Trim	
8	353755X1	2	Washer	
9	353446X1	2	Lock Washer	
10	353516X1	2	Screw Unf	
11	783983M93	1	Cover	
12	1615473M91	1	Angle	
13	353446X1	3	Lock Washer	
14	353516X1	3	Screw Unf	
15	376387X1	2	Screw	
16	353446X1	2	Lock Washer	
17	376387X1	2	Screw	
18	353446X1	2	Lock Washer	
24	783989M2	2	Rod	
25	376387X1	3	Screw	
26	353446X1	3	Lock Washer	
27	359998X1	1	Bolt Unf	
28	353446X1	1	Lock Washer	
29	353916X1	1	Nut Unf	
30	359998X1	6	Bolt Unf	
31	353446X1	6	Lock Washer	
32	353916X1	6	Nut Unf	
33	355583X1	1	Nut Unf	
34	353446X1	1	Lock Washer	
35	230528M1	1	Cover	
36	359998X1	X	Bolt Unf	
37	353446X1	X	Lock Washer	
38	353916X1	X	Nut Unf	
44	1616564M91	1	Cover	Top Left Hand
45		1	Cover	(44) Not serviced, order 1616 564 M91
46	782686M1	2	Latch	(44)
47	786051M2	2	Cup	(44)
48	782715M92	2	Locator	(44)
49	1616560M91	1	Cover	Top Left Hand
50		1	Cover	(49) Not serviced, order 1616 560 M91
51	782686M1	2	Latch	(49)
52	786051M2	2	Cup	(49)
53	782715M92	2	Locator	(49)
54	1616556M91	1	Cover	Bottom Left Hand
55	353517X1	2	Screw Unf	
56	353755X1	2	Washer	
57	353755X1	2	Washer	
58	353446X1	2	Lock Washer	
59	353916X1	2	Nut Unf	
60	377285X1	5	Screw	
61	359004X1	5	Lock Washer	
62	353754X1	5	Washer	
63	377284X1	5	Nut	
64	1616620M91	1	Cover	Bottom Right Hand
65	377285X1	4	Screw	
66	359004X1	4	Lock Washer	
67	353754X1	4	Washer	
68	377284X1	4	Nut	
69	1855797M91	2	Plate	

658

SEAT SUPPORT  
 SIEGE SUPPORT  
 FAHRERSITZ HALTER  
 SEGGIOLINO TELAIETTO  
 ASIENTO SOPORTE

29313003

3-2931-003-A





**MASSEY FERGUSON**

**MF 520/525 COMBINES - 819611**

819611

**SEAT SUPPORT - GERMANY-UP TO SERIAL NO 5280**

658

Item	Part Number	Qty	Description	Comments
				GERMANY-UP TO SERIAL NO 5280
1	1615396M95	1	Support	
2	1615380M91	1	Support	
3	353793X1	3	Bolt Unf	
4	353446X1	3	Lock	
			Washer	
5	355618X1	3	Washer	
6	353916X1	3	Nut Unf	
7	353793X1	1	Bolt Unf	
8	1615374M1	X	Shim	
9	353446X1	1	Lock	
			Washer	
10	353916X1	1	Nut Unf	
11	353517X1	3	Screw Unf	
12	353446X1	3	Lock	
			Washer	
13	355618X1	3	Washer	
14	353916X1	3	Nut Unf	
15	353559X1	2	Screw Unf	
16	353432X1	2	Lock	
			Washer	
17	353772X1	2	Washer	
18	353426X1	2	Nut Unf	
19	353517X1	3	Screw Unf	
20	353446X1	3	Lock	
			Washer	
21	353916X1	3	Nut Unf	
27	1615395M91	1	Panel	(A)
28		1	Panel	(27)
				Not serviced, order 1615 395 M91
29	782686M1	2	Latch	(27)
30	786051M1	2	Grommet	(27)
31	1615393M91	1	Cover	(B)
32	377285X1	8	Screw	
33	359004X1	8	Lock	
			Washer	
34	353754X1	8	Washer	
35	377284X1	8	Nut	
36	359998X1	12	Bolt Unf	
37	353446X1	12	Lock	
			Washer	
38	353916X1	12	Nut Unf	
39	230528M1	1	Cover	
40	353446X1	1	Lock	
			Washer	
41	355593X1	1	Nut Unc	
42	359998X1	6	Bolt Unf	
43	353446X1	6	Lock	
			Washer	
44	353916X1	6	Nut Unf	
45	359998X1	1	Bolt Unf	
46	353446X1	1	Lock	
			Washer	
47	353916X1	1	Nut Unf	
53	376387X1	2	Screw	
54	353446X1	2	Lock	
			Washer	
55	376387X1	3	Screw	
56	353446X1	3	Lock	
			Washer	
57	912792M1	1	Trim	
58	912791M1	1	Trim	
59	377132X1	2	Grommet	
60	376387X1	2	Screw	
61	353446X1	2	Lock	
			Washer	
62	353516X1	1	Screw Unf	
63	353446X1	1	Lock	
			Washer	

**MASSEY FERGUSON  
MF 520/525 COMBINES - 819611**

**819611**

**658**

**SEAT SUPPORT - GERMANY-UP TO SERIAL NO 5280**

Item	Part Number	Qty	Description	Comments
64	353755X1	1	Washer	
65	1615473M91	1	Angle	
66	353516X1	3	Screw Unf	
67	353446X1	3	Lock Washer	
68	783989M2	2	Rod	
69	783983M93	1	Cover	
70	359038X1	1	Bolt Unf	
71	353446X1	1	Lock Washer	
72	353755X1	1	Washer	
73	353916X1	1	Nut Unf	
74	359998X1	3	Bolt Unf	
75	353446X1	3	Lock Washer	
76	353755X1	3	Washer	
77	353916X1	3	Nut Unf	
83	784838M1	1	Pad	
84	784837M2	1	Pad	
85	784839M1	1	Pad	
87	784835M1	1	Pad	

(A)  
NO LONGER SERVICED ORDER 1616 560 M91,1616 562 M91 AND 1855 797 M91-2  
OFF

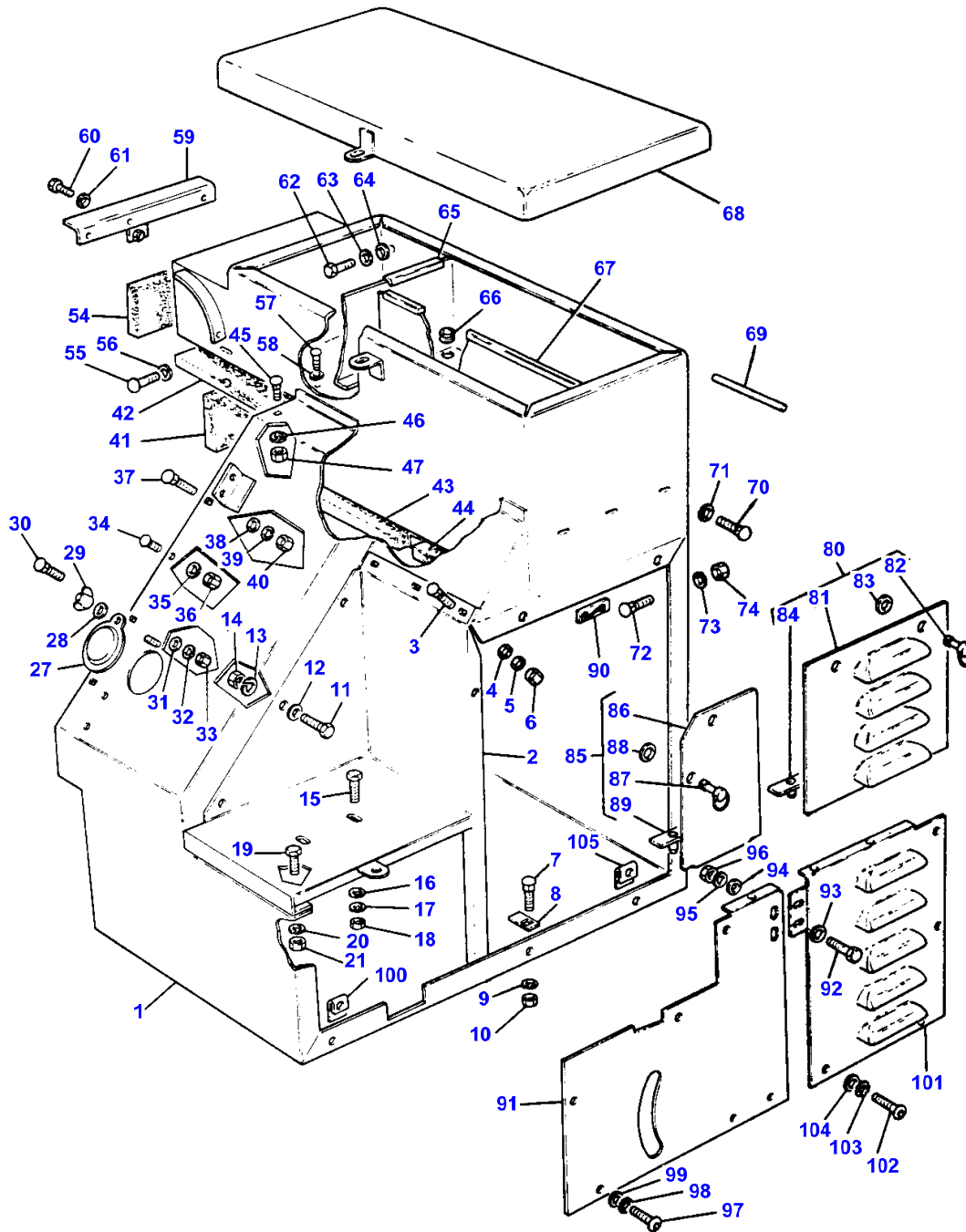
(B)  
NO LONGER SERVICED,ORDER 1616 558 M91,1616 620 M91 AND 782 715 M92-2  
OFF

662

SEAT SUPPORT  
 SIEGE SUPPORT  
 FAHRERSITZ HALTER  
 SEGGIOLINO TELAIETTO  
 ASIENTO SOPORTE

29313004

3-2931-004-A



**MASSEY FERGUSON****MF 520/525 COMBINES - 819611**

819611

**SEAT SUPPORT - GERMANY-FROM SERIAL NO 5280****662**

Item	Part Number	Qty	Description	Comments
				GERMANY-FROM SERIAL NO 5280
1	1615396M95	1	Support	
2	1615380M91	1	Support	
3	353793X1	3	Bolt Unf	
4	353446X1	3	Lock Washer	
5	355618X1	3	Washer	
6	353916X1	3	Nut Unf	
7	353793X1	1	Bolt Unf	
8	1615374M1	X	Shim	
9	353446X1	1	Lock Washer	
10	353916X1	1	Nut Unf	
11	353517X1	3	Screw Unf	
12	353446X1	3	Lock Washer	
13	355618X1	3	Washer	
14	353916X1	3	Nut Unf	
15	353559X1	2	Screw Unf	
16	353432X1	2	Lock Washer	
17	353772X1	2	Washer	
18	353426X1	2	Nut Unf	
19	353517X1	3	Screw Unf	
20	353446X1	3	Lock Washer	
21	353916X1	3	Nut Unf	
27	230528M1	1	Cover	
28	353446X1	1	Lock Washer	
29	355583X1	1	Nut Unf	
30	359998X1	3	Bolt Unf	
31	353755X1	3	Washer	
32	353446X1	3	Lock Washer	
33	353916X1	3	Nut Unf	
34	359998X1	6	Bolt Unf	
35	353446X1	6	Lock Washer	
36	353916X1	6	Nut Unf	
37	359038X1	1	Bolt Unf	
38	353755X1	1	Washer	
39	353446X1	1	Lock Washer	
40	353916X1	1	Nut Unf	
41	784839M1	1	Pad	
42	784837M2	1	Pad	
43	784836M2	1	Pad	
44	784835M1	1	Pad	
45	359998X1	1	Bolt Unf	
46	353446X1	1	Lock Washer	
47	353916X1	1	Nut Unf	
54	784838M1	1	Pad	
55	376387X1	2	Screw	
56	353446X1	2	Lock Washer	
57	376387X1	2	Screw	
58	353446X1	2	Lock Washer	
59	1615473M91	1	Angle	
60	353516X1	3	Screw Unf	
61	353446X1	3	Lock Washer	
62	353516X1	1	Screw Unf	
63	353446X1	1	Lock Washer	
64	353755X1	1	Washer	
65	912791M1	1	Trim	
66	377132X1	2	Grommet	
67	912792M1	1	Trim	
68	783983M93	1	Cover	
69	783989M2	2	Rod	
70	376387X1	3	Screw	
71	353446X1	3	Lock Washer	
72	359998X1	12	Bolt Unf	
73	353446X1	12	Lock Washer	
74	353916X1	12	Nut Unf	
80	1616562M91	1	Cover	Top Left Hand
81		1	Cover	(80) Not serviced, order 1616 562 M91
82	782686M1	2	Latch	(80)

**MASSEY FERGUSON  
MF 520/525 COMBINES - 819611**

819611

662

**SEAT SUPPORT - GERMANY-FROM SERIAL NO 5280**

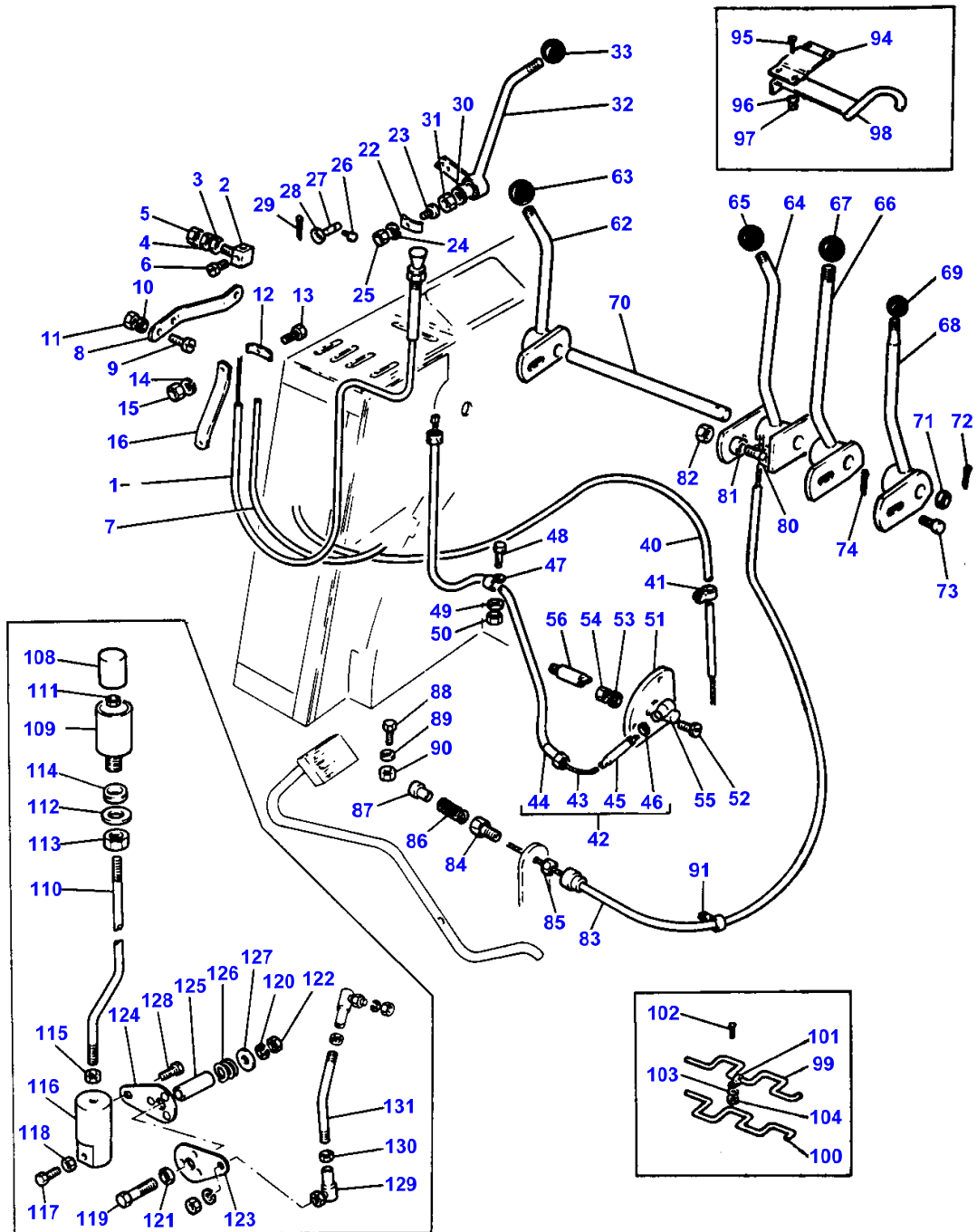
Item	Part Number	Qty	Description	Comments
83	786051M2	2	Cup	(80)
84	782715M92	1	Locator	(80)
85	1616560M91	1	Cover	Top Right Hand
86		1	Cover	(85) Not serviced, order 1616 560 M91
87	782686M1	2	Latch	(85)
88	786051M2	2	Cup	(85)
89	782715M92	2	Locator	(85)
90	1855797M91	2	Plate	
91	1616558M91	1	Cover	Bottom Left Hand
92	353517X1	2	Screw Unf	
93	353755X1	2	Washer	
94	353755X1	2	Washer	
95	353446X1	2	Lock Washer	
96	353916X1	2	Nut Unf	
97	377285X1	6	Screw	
98	359004X1	6	Lock Washer	
99	353754X1	6	Washer	
100	377284X1	6	Nut	
101	1616620M91	1	Cover	Bottom Right Hand
102	377285X1	4	Screw	
103	359004X1	4	Lock Washer	
104	353754X1	4	Washer	
105	377284X1	4	Nut	

666

CONTROL BOX DETAILS  
 TABLEAU DE COMMANDE  
 BEDIENUNGSHEBEL  
 DETTAGLI SCATOLA COMANDO  
 PIEZAS DEL CONSOLA DEL CONTROL

28213001

3-2921-001-B



CONTROL BOX DETAILS

Item	Part Number	Qty	Description	Comments
1	793314M91	1	Stop	
2	230405M1	2	Swivel	
3	375042X1	2	Washer	
4	353444X1	2	Lock Washer	
5	354119X1	2	Nut Unc	
6	355183X1	2	Screw Unc	
7	793312M91	1	Cable	
8	230424M1	1	Arm	
9	354198X1	1	Screw Unc	
10	353445X1	1	Lock Washer	
11	354120X1	2	Nut	
12	793363M1	1	Clamp	
13	353519X1	1	Screw Unf	
14	353446X1	1	Lock Washer	
15	353916X1	1	Nut Unf	
16	793364M1	1	Support	
22	793363M1	1	Clamp	
23	353519X1	1	Screw Unf	
24	353446X1	1	Lock Washer	
25	353916X1	1	Nut Unf	
26	355124X1	1	Screw Unc	
27	233921M1	1	Swivel	
28	353754X1	1	Washer	
29	354039X1	1	Cotter	
30	782940M1	1	Washer	
31	376449X1	1	Nut Unf	
32	784017M91	1	Lever	
33	787089M1	1	Knob	
40	793313M91	1	Cable	
41	793468M1	2	Clip	
42	786980M1	1	Cable	
43	1885602M1	1	Drive	(42)
44	1885603M1	1	Drive	(42)
45	1885604M1	1	End	(42)
46	1885605M1	1	Circlip	(42)
47	363413X1	1	Clip	Up to Serial or Engine Number 1635
	361219X1	1	Clip	From Serial or Engine Number 1635
48	353502X1	1	Screw Unf	From Serial or Engine Number 1635
49	353754X1	1	Washer	From Serial or Engine Number 1635
50	353918X1	1	Nut Unf	From Serial or Engine Number 1635
51	784008M1	1	Bracket	
52	355126X1	2	Screw Unc	
53	353445X1	2	Lock Washer	
54	354120X1	2	Nut	
55	786979M91	1	Angle	
56	786982M1	1	Shaft	
62	782959M91	1	Lever	
63	787090M1	1	Knob	
64	782955M92	1	Lever	
65	787090M1	1	Knob	
66	782958M91	1	Lever	
67	787090M1	1	Knob	
68	782957M91	1	Lever	
69	787089M1	1	Knob	
70	782921M1	1	Shaft	
71	353756X1	2	Washer	
72	354041X1	2	Pin	
73	637129M1	4	Pin	
74	354046X1	4	Pin	
80	911156M2	1	Bolt	
81	911185M1	1	Washer	
82	353431X1	1	Nut Unf	
83	617832M1	1	Cable	
84	911160M1	1	Bolt	
85	376448X1	1	Nut Unf	
86	658121M1	1	Spring	
87	911507M1	1	Retainer	
88	914545M1	1	Bolt	
89	914546M1	2	Washer	
90	353431X1	1	Nut Unf	

**CONTROL BOX DETAILS**

Item	Part Number	Qty	Description	Comments
91	361219X1	1	Clip	
94	617738M1	1	Guide	For Germany only or any text in German only
95	376384X1	4	Screw Unf	For Germany only or any text in German only
96	353441X1	4	Lock Washer	For Germany only or any text in German only
97	353918X1	4	Nut Unf	For Germany only or any text in German only
98	617783M91	1	Slide	For Germany only or any text in German only
99	617740M1	1	Lock	(A) For Germany only or any text in German only
100	617739M1	1	Lock	(B) For Germany only or any text in German only
101	180739M1	3	Clip	For Germany only or any text in German only
102	354198X1	2	Screw Unc	For Germany only or any text in German only
103	353445X1	2	Lock Washer	For Germany only or any text in German only
104	354120X1	2	Nut	For Germany only or any text in German only
108	3044114M1	1	Button	(C) From Serial or Engine Number 6320
109	3044113M1	1	Bush	(C) From Serial or Engine Number 6320
110	3044123M1	1	Rod	(C) From Serial or Engine Number 6320
111	1440208X1	1	Nut Metric	(C) From Serial or Engine Number 6320
112	353760X1	1	Flat Washers	(C) From Serial or Engine Number 6320
113	353429X1	1	Nut Unf	(C) From Serial or Engine Number 6320
114	791004M1	1	Grommet	(C) From Serial or Engine Number 6320
115	339169X1	1	Nut Metric	(C) From Serial or Engine Number 6320
116	3044116M1	1	Bush	(C) From Serial or Engine Number 6320
117	339337X1	1	Screw Metric	(C) From Serial or Engine Number 6320
118	339169X1	1	Nut Metric	(C) From Serial or Engine Number 6320
119	353525X1	1	Bolt Unf	(C) From Serial or Engine Number 6320
120	353755X1	1	Washer	(C) From Serial or Engine Number 6320
121	338688X1	1	Washer	(C) From Serial or Engine Number 6320
122	353916X1	1	Nut Unf	(C) From Serial or Engine Number 6320
123	3044121M1	1	Lever	(C) From Serial or Engine Number 6320
124	3044120M1	1	Lever	(C) From Serial or Engine Number 6320
125	3044112M1	1	Spacer	(C) From Serial or Engine Number 6320
126	3044119M1	1	Spring	(C) From Serial or Engine Number 6320
127	832035M1	1	Washer	(C) From Serial or Engine Number 6320
128	390991X1	1	Bolt Metric	(C) From Serial or Engine Number 6320
129	3044115M1	2	Ball Joint	(C) From Serial or Engine Number 6320
130	353919X1	2	Nut Unf	(C) From Serial or Engine Number 6320
131	3044122M1	1	Rod	(C) From Serial or Engine Number 6320

(A)  
WITHOUT AUTOMATIC TABLE HEIGHT CONTROL

(B)  
WITH AUTOMATIC TABLE HEIGHT CONTROL

(C)



CONTROL BOX DETAILS

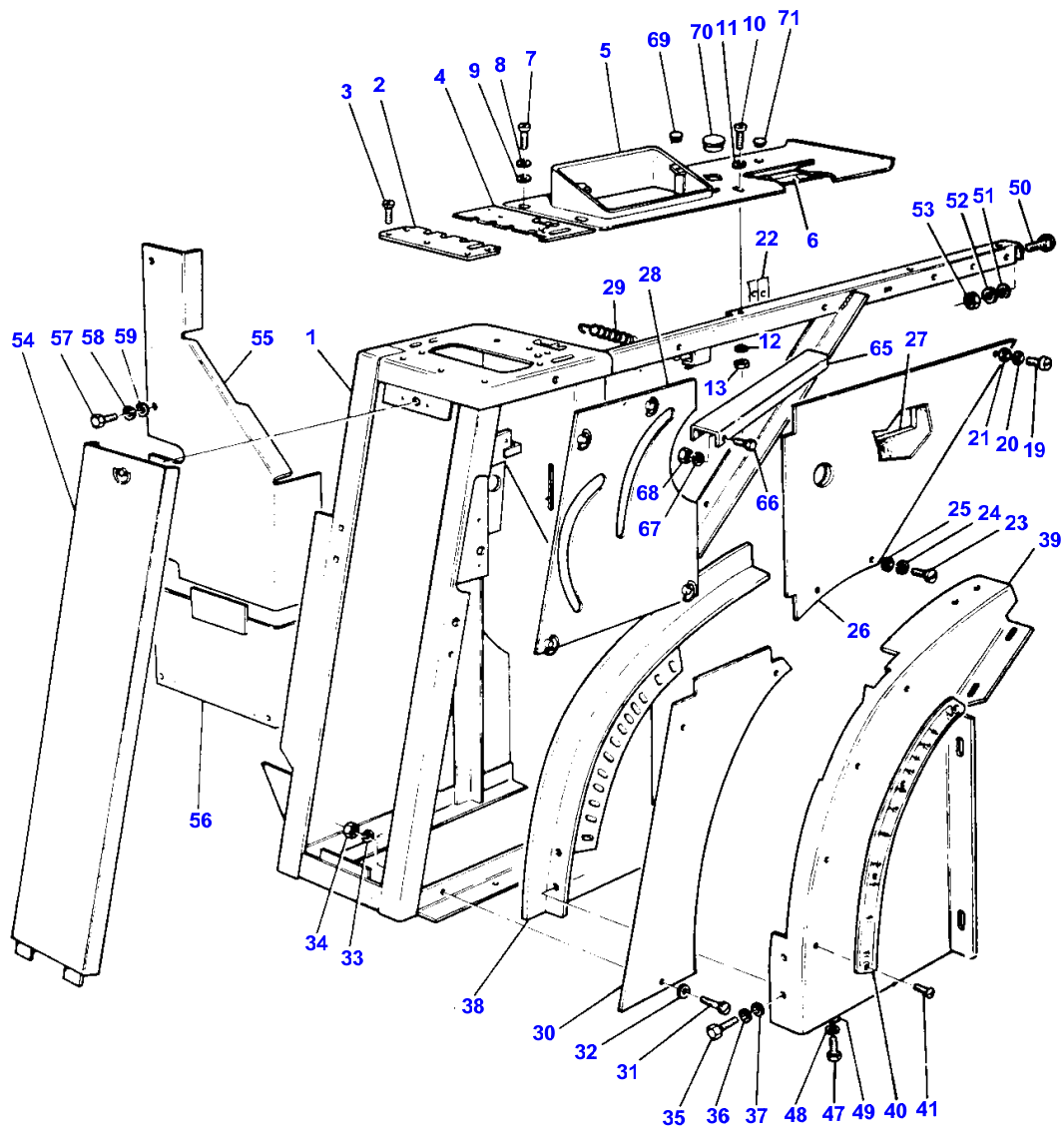
Item	Part Number	Qty	Description	Comments
				WITH HYDRAULIC TABLE CLUTCH

672

CONTROL PANEL  
BOITE DE CONTROLE  
GERAETEKONSOLE  
COMANDO PANNELLO  
PANEL CONTROL

29203001

3-2920-001-B



819611-M / 11

CONTROL PANEL

Item	Part Number	Qty	Description	Comments
1	1615996M93	1	Box	
2	1615438M1	1	Plate	
	1616891M1	1	Identity Plate	(C)
	784584M3	1	Plate	(A)
	1616885M1	1	Identity Plate	(A,C)
	617718M1	1	Plate	(B)
	1616888M1	1	Identity Plate	(B,C)
3	355124X1	8	Screw Unc	
4	782966M4	1	Plate	Up to Serial or Engine Number 2017
	1615439M2	1	Plate	From Serial or Engine Number 2017
	1616892M1	1	Identity Plate	(C)
	784585M3	1	Plate	(A)
	1616886M1	1	Identity Plate	(A,C)
	617719M2	1	Plate	(B)
	1616889M1	1	Identity Plate	(B,C)
5	782925M92	1	Cover	Up to Serial or Engine Number 5915
	1616909M91	1	Cover	From Serial or Engine Number 5915
6	914648M1	1	Pad	
7	376387X1	2	Screw	
8	353446X1	2	Lock Washer	
9	353755X1	2	Washer	
10	353970X1	1	Screw Unc	
11	353754X1	1	Washer	
12	376718X1	1	Washer	
13	355564X1	1	Nut Unc	
19	377285X1	3	Screw	
20	359004X1	3	Lock Washer	
21	353754X1	3	Washer	
22	377284X1	3	Nut	
23	353970X1	1	Screw Unc	
24	376718X1	1	Washer	
25	353754X1	1	Washer	
26	782950M1	1	Cover	
27	914652M1	1	Pad	
28	782953M91	1	Cover	
29	175045M1	1	Spring	
30	782951M1	1	Cover	
31	353970X1	3	Screw Unc	
32	353754X1	3	Washer	
33	376718X1	3	Washer	
34	355564X1	3	Nut Unc	
35	353517X1	4	Screw Unf	
36	353446X1	4	Lock Washer	
37	353755X1	4	Washer	
38	782949M92	1	Angle	
39	782947M93	1	Cover	
40	782954M1	1	Plate	
41	360359X1	4	Screw	
47	353517X1	2	Screw Unf	
48	353446X1	2	Lock Washer	
49	353755X1	2	Washer	
50	353791X1	1	Bolt Unf	
51	10978X	1	Washer	
52	353446X1	1	Lock Washer	
53	353916X1	1	Nut Unf	
54	782922M91	1	Door	
55	1855181M93	1	Baffle	
56	1855179M91	1	Baffle	
57	353516X1	6	Screw Unf	
58	353446X1	6	Lock Washer	
59	353755X1	6	Washer	
65	1615669M91	1	Channel	Up to Serial or Engine Number 5915
	784645M2	1	Channel	From Serial or Engine Number 5915
66	353502X1	2	Screw Unf	
67	353441X1	2	Lock Washer	
68	353918X1	2	Nut Unf	
69	359385X1	3	Plug	Up to Serial or Engine Number 2017
70	885581M1	1	Plug	Up to Serial or Engine Number 2017
71	359356X1	1	Plug	Up to Serial or Engine Number 2017

CONTROL PANEL

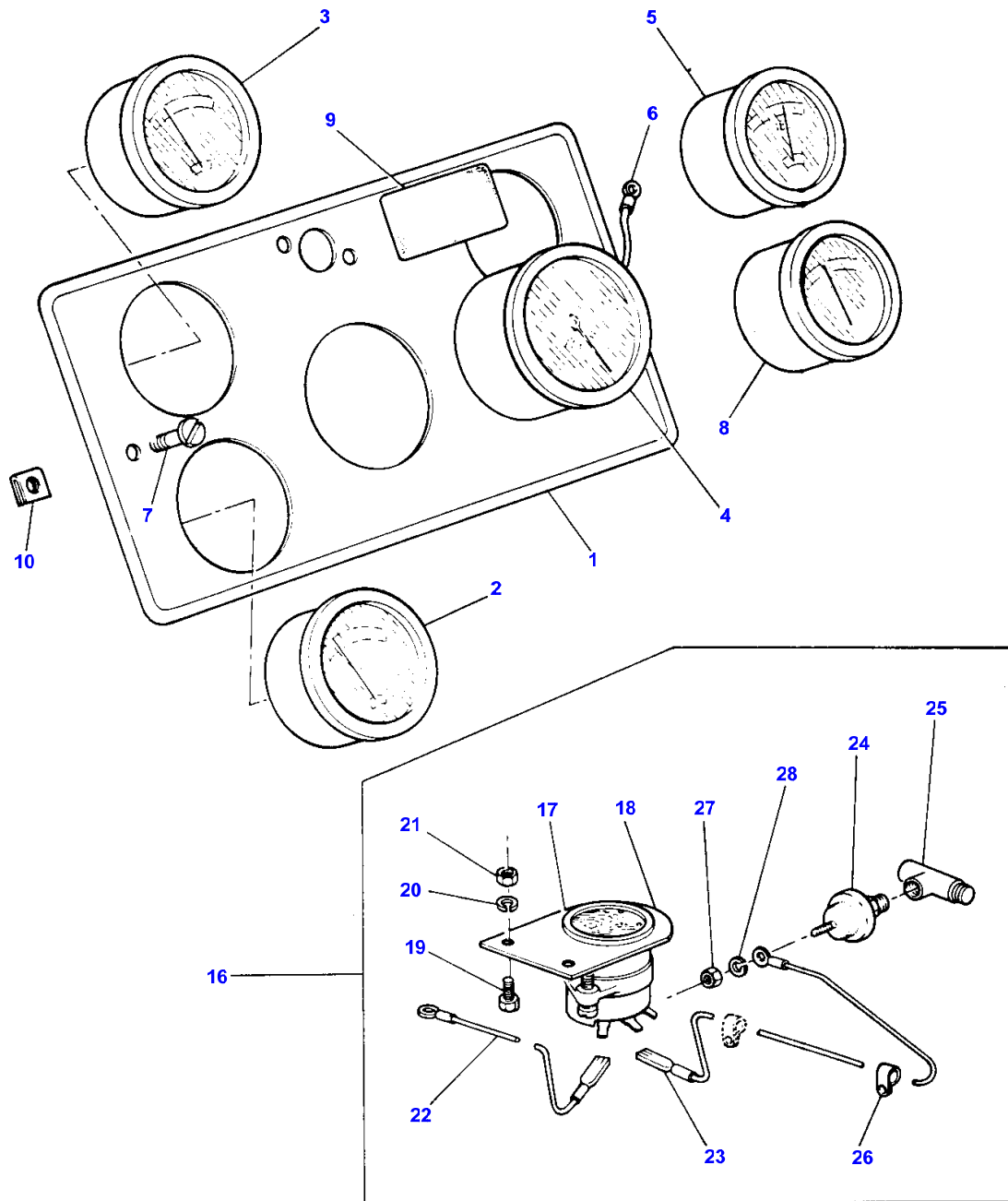
Item	Part Number	Qty	Description	Comments
				(A) FRANCE ONLY.
				(B) GERMANY ONLY
				(C) WITH NEW PROFILE TABLES HEAVY DUTY LESS ATHC

676

INSTRUMENTS  
TABLEAU DE COMMANDE  
ARMATUREN  
STRUMENTI  
INSTRUMENTOS

29353001

3-2935-001-A



**INSTRUMENTS**

Item	Part Number	Qty	Description	Comments
1	786988M1	1	Panel	Up to Serial or Engine Number 5915
	1616911M1	1	Panel	From Serial or Engine Number 5916
2	881396M91	1	Gauge	
3	1853097M91	1	Gauge	
4	786978M91	1	Gauge	
5	787431M1	1	Gauge	
6	787107M93	1	Wire	Up to Serial or Engine Number 5915
7	377140X1	2	Screw	
8	787106M1	1	Gauge	Up to Serial or Engine Number 5915
9	1868518M1	1	Plug	
10	377139X1	2	Nut	
16	784208M92	1	Kit, Hourmeter	(A) Up to Serial or Engine Number 6458
17	783730M1	1	Hourmeter	(16) (B) Up to Serial or Engine Number 1635
17	1615818M1	1	Meter	(16) (D) From Serial or Engine Number 1636 Up to Serial or Engine Number 6458
18	783731M2	1	Bracket	(16)
19	353517X1	2	Screw Unf	(16)
20	353446X1	2	Lock Washer	(16)
21	353916X1	2	Nut Unf	(16)
22	1855037M91	1		(16) Up to Serial or Engine Number 1635
22	914930M2	1	Wire	(16) (D) From Serial or Engine Number 1636 Up to Serial or Engine Number 6458
23	1855049M91	1		(16) Up to Serial or Engine Number 1635
23	914931M2	1	Wire	(16) (D) From Serial or Engine Number 1636 Up to Serial or Engine Number 6458
24	1855029M91	1	Switch	(16)
25	1855028M1	1	Teepiece	(16)
26	360031X1	2	Clip	(16)
27	354119X1	1	Nut Unc	(16)
28	22710X	1	Washer	(16)
29	1615819M91	1	Kit, Hourmeter	(A,C)

(A)  
NOT SERVICED ORDER DETAILS

(B)  
NO LONGER SERVICED ORDER KIT 1615 819 M91

(C)  
INCLUDES ITEMS MARKED (D)

(D)  
ITEMS INCLUDED IN KIT 1615 819 M91

680

A T H C CONTROL

COMMANDE C A H C

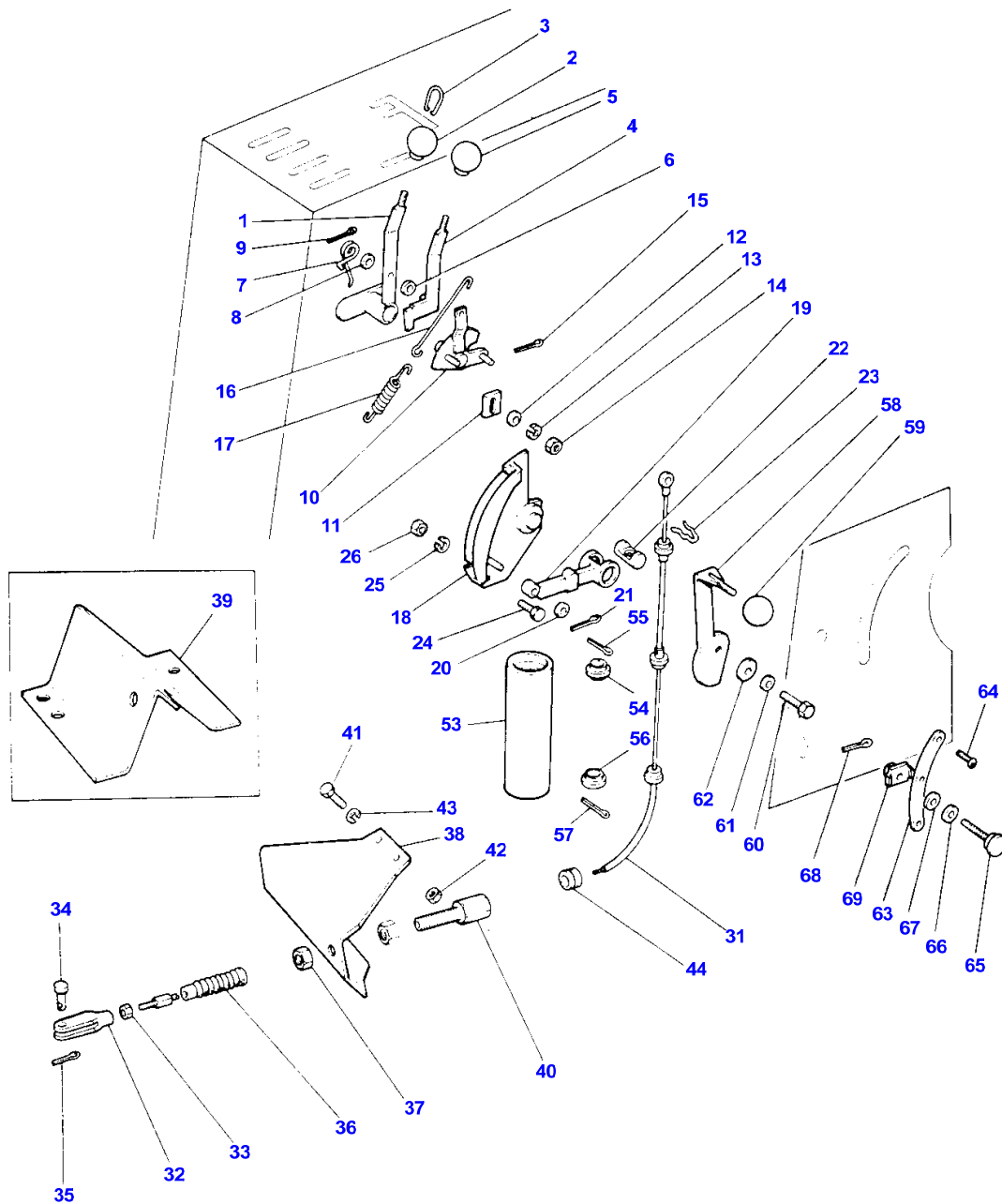
BETAETIGUNG - AUTOMATISCHE TISCHHOEHENVERSTELLUNG

COMANDI PER COMANDO AUTOMATICO SOLLEVAMENTO TAVOLA

MANDO CONTROL AUTOMATICO ALTURA PLATAFORMA

29453001

3-2945-001-A



A T H C CONTROL

Item	Part Number	Qty	Description	Comments
1	783043M91	1	Lever	
2	796067M2	1	Knob	
3	787852M1	1	Clip	
4	783041M91	1	Lever	
5	796068M1	1	Knob	
6	795642M1	1	Spacer	
7	795655M1	1	Spring	
8	796958M1	1	Guide	
9	354039X1	1	Cotter	
10	782930M91	1	Ratchet	
11	787749M1	1	Stop	
12	353756X1	1	Washer	
13	353434X1	1	Lock Washer	
14	353431X1	1	Nut Unf	
15	354039X1	1	Cotter	
16	782936M1	1	Link	
17	782937M1	1	Spring	
18	782933M92	1	Quadrant	
19	795604M1	1	Arm	
20	353756X1	2	Washer	
21	354046X1	1	Pin	
22	795641M1	1	Trunnion	
23	796967M1	1	Pin	
24	353517X1	2	Screw Unf	
25	353446X1	2	Lock Washer	
26	353916X1	2	Nut Unf	
31	786414M91	1	Cable	
32	796788M1	1	Yoke	
33	353919X1	1	Nut Unf	
34	361291X1	1	Pin	
35	359020X1	1	Pin	
36	782515M1	1	Boot	
37	353429X1	2	Nut Unf	
38	783028M1	1	Bracket	Up to Serial or Engine Number 1244
	1615109M1	1	Bracket	From Serial or Engine Number 1244
39	1855300M1	1	Bracket	(A) Up to Serial or Engine Number 1244
39	1615107M1	1	Bracket	(A) From Serial or Engine Number 1244
40	783026M1	1	Adjuster	
41	353517X1	4	Screw Unf	
42	353916X1	4	Nut Unf	
43	353446X1	4	Lock Washer	
44	795637M1	1	Grommet	
53	795601M92	1	Tube	
54	795658M1	1	Collet	
55	375092X1	2	Pin	
56	795658M1	1	Collet	
57	354043X1	2	Pin	
58	782962M91	1	Lever	
59	787090M1	1	Knob	
60	353536X1	1	Screw Unf	
61	353434X1	1	Lock Washer	
62	796492M1	1	Spacer	
63	796123M1	1	Plate	
	910058M1	1	Plate	For France only or any text in French only
64	360359X1	3	Screw	
65	796103M1	1	Screw	
66	239221M1	1	Washer	
67	355618X1	1	Washer	
68	354039X1	1	Cotter	
69	782970M91	1	Plate	

(A)  
WITH HEAVEY DUTY ELEVATOR

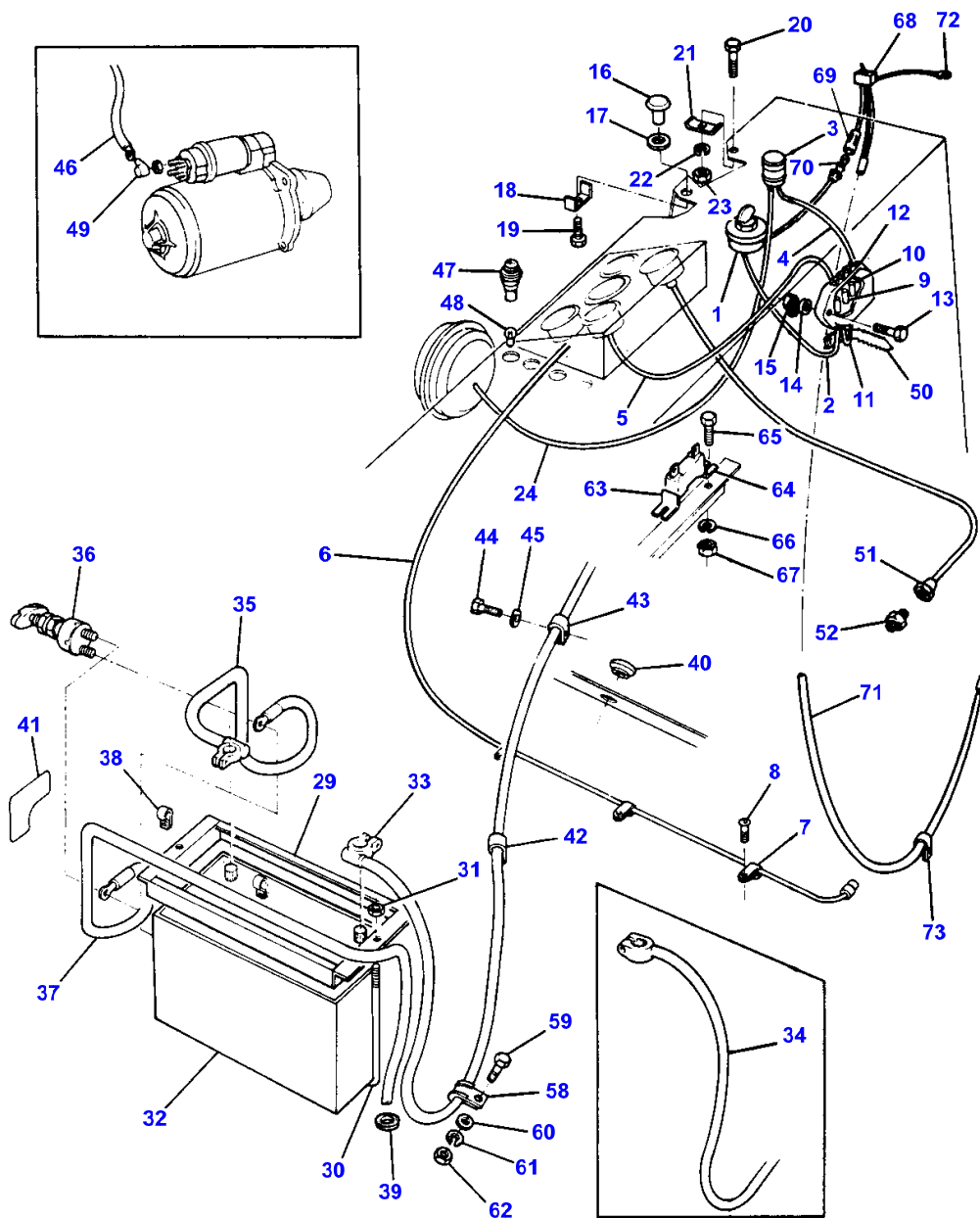


684

ELECTRICAL EQUIPMENT  
 EQUIPMENT ELECTRIQUE  
 ELEKTRISCHE AUSRÜSTUNG  
 IMPIANTO ELETTRICO  
 EQUIPO ELECTRICO

32513001

3-3251-001-B



ELECTRICAL EQUIPMENT

Item	Part Number	Qty	Description	Comments
1	35755D	1	Switch	(B)
2		1	Switch	(1) Not serviced, order 35755D
3	883930M1	2	Ignition Key	(1)
4	783328M94	1	Wire	Up to Serial or Engine Number 5915
5	783329M92	1	Wire	
6	784716M92	1	Harness	Up to Serial or Engine Number 1234
	1615086M1	1	Harness	From Serial or Engine Number 1234 Up to Serial or Engine Number 3459
6	1615658M3	1	Harness	From Serial or Engine Number 3459 Up to Serial or Engine Number 5915
7	783402M92	1	Tube	
	360081X1	3	Clamp	
8	360343X1	3	Screw	
9	1887053M1	2	Fuse	
10	1895731M1	1	Fuse	
11	783447M93	1	Wire	Up to Serial or Engine Number 5915
12	37420	1	Fuse Box	(B)
13	353128X1	2	Bearing	
14	353445X1	2	Lock Washer	
15	354120X1	2	Nut	
16	227669M1	1	Indicator	
17	239221M1	1	Washer	
18	227666M1	1	Bracket	
19	355124X1	1	Screw Unc	
20	353974X1	1	Screw Unc	
21	227651M1	1	Clamp	
22	353441X1	1	Lock Washer	
23	355564X1	1	Nut Unc	
24	783243M92	1	Wire	
25	787573M91	1	Switch	
29	912797M91	1	Frame	
30	1855137M1	2	Clamp	
31	353918X1	2	Nut Unf	
32	6TXA215L	1	Battery	(A)
33	784692M1	1	Cable	
34	784691M1	1	Cable	Up to Serial or Engine Number 4864
35	1616778M1	1	Cable	(D) From Serial or Engine Number 4864
36	1616777M1	1	Switch	(D) From Serial or Engine Number 4864
37	1616779M1	1	Cable	(D) From Serial or Engine Number 4864
38	832694M1	1	Clip	(D) From Serial or Engine Number 4864
39	377132X1	2	Grommet	(D) From Serial or Engine Number 4864
40	828790M2	1	Plug	(D) From Serial or Engine Number 4864
41	1616786M1	1	Decal	(D) From Serial or Engine Number 4864
42	360043X1	1	Clip	
43	377392X1	1	Clip	
44	353883X1	1	Bolt Unf	
45	353434X1	1	Lock Washer	
46	791963M2	1	Cable	
47	1855075M91	1	Lens	Up to Serial or Engine Number 5915
48	1855078M1	1	Bulb	Up to Serial or Engine Number 5915
49	796782M1	1	Insulator	
50	898268M1	1	Cleat	
51	786973M91	1	Tube	
52	786987M1	1	Connection	
58	787100M1	1	Clip	
59	353516X1	1	Screw Unf	
60	353755X1	1	Washer	
61	353446X1	1	Lock Washer	
62	353916X1	1	Nut Unf	
63	1615668M1	2	Bracket	From Serial or Engine Number 3459 Up to Serial or Engine Number 5915
64	1615667M1	1	Resistor	From Serial or Engine Number 3459

ELECTRICAL EQUIPMENT

Item	Part Number	Qty	Description	Comments
65	357432X1	2	Screw	Up to Serial or Engine Number 5915 From Serial or Engine Number 3459
66	353444X1	2	Lock Washer	Up to Serial or Engine Number 5915 From Serial or Engine Number 3459
67	354119X1	2	Nut Unc	Up to Serial or Engine Number 5915 From Serial or Engine Number 3459
68	1616842M1	1	Switch	
69	1616826M1	1	Harness	
70	188220	1	Fuse	(B)
71	1616836M1	1	Cable	
72	1616839M1	1	Wire	
73	882659M1	3	Fastener	

(A)  
SUPPLIED BY CHLORIDE

(B)  
SERVICED BY LUCAS

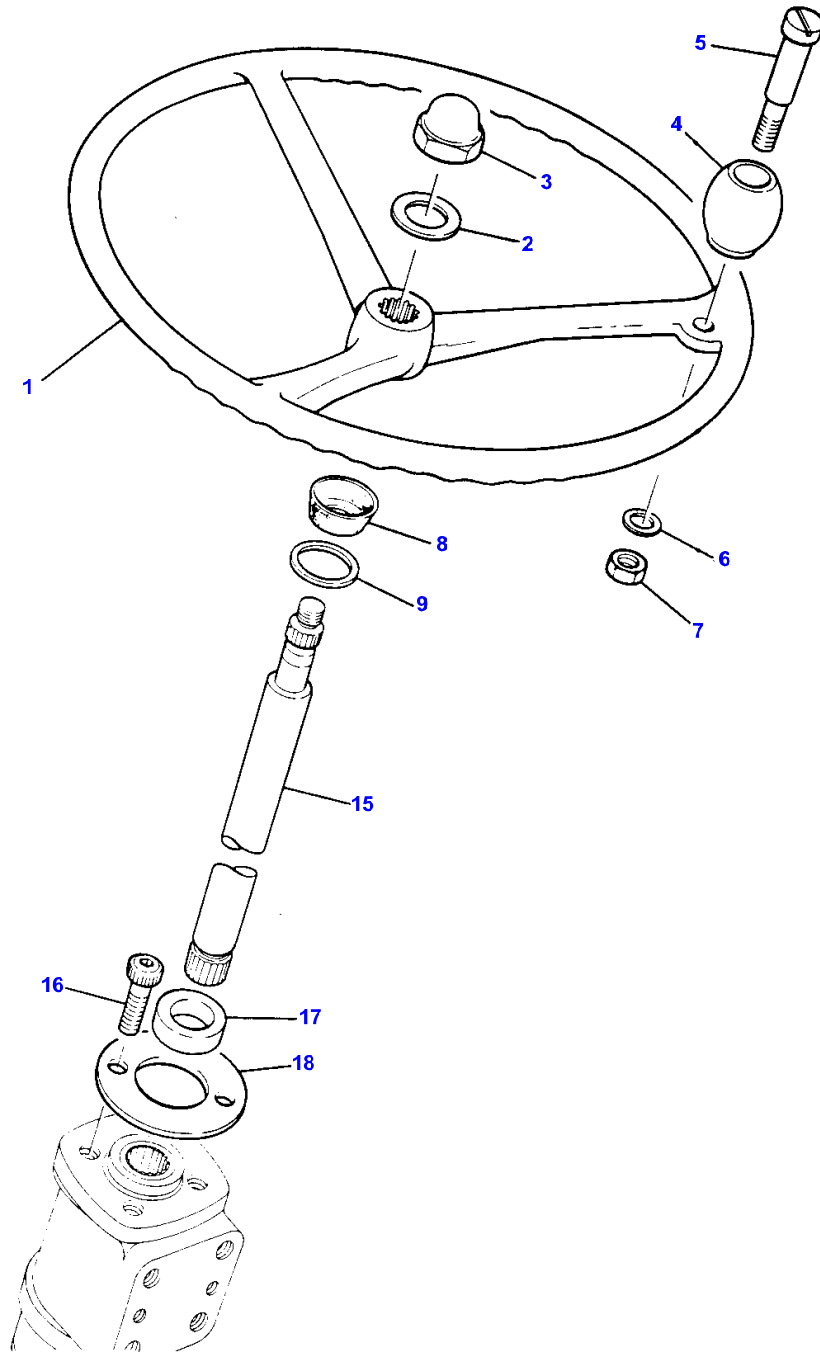
(D)  
CONTAINED IN KIT 1616 785 M91

688

STEERING LINKAGE  
BARRES DE DIRECTION  
LENKGESTÄENGE  
TIRANTERIA DI STERZO  
BARRAS DE DIRECCION

30253001

3-3025-001-B



**STEERING LINKAGE**

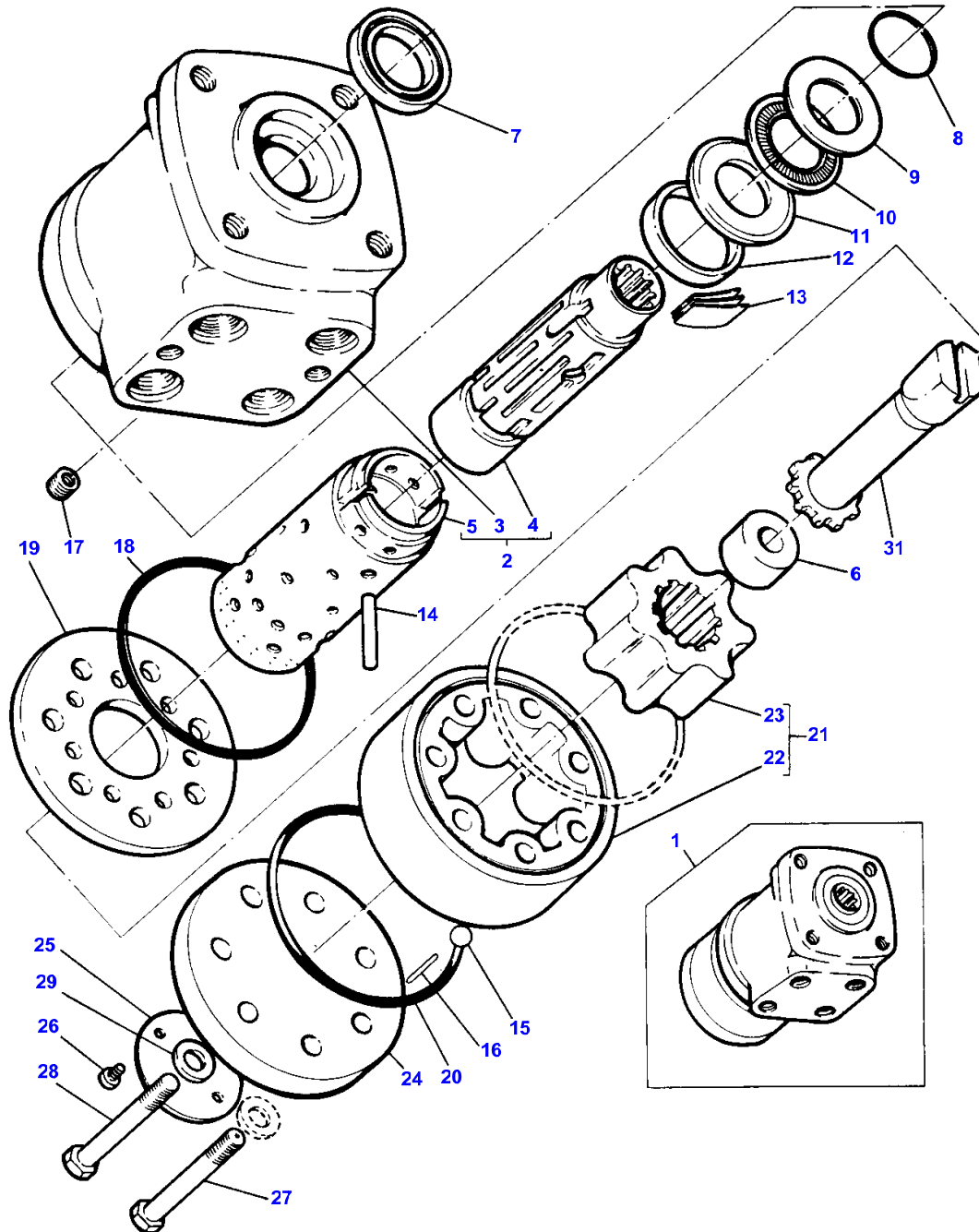
<b>Item</b>	<b>Part Number</b>	<b>Qty</b>	<b>Description</b>	<b>Comments</b>
1	783450M1	1	Wheel	
2	180577M1	1	Washer	
3	195592M1	1	Nut	
4	647372M1	1	Knob	
5	783949M1	1	Pin	
6	353756X1	1	Washer	
7	353431X1	1	Nut Unf	
8	890124M2	1	Seal	
9	784006M1	2	Shim	Up to Serial or Engine Number 7200
	784006M1	5	Shim	From Serial or Engine Number 7200
15	783969M91	1	Column	
16	357868X1	2	Screw Unc	Up to Serial or Engine Number 7200
	357870X1	2	Bolt	From Serial or Engine Number 7200
17	1616707M1	1	Spacer	
18	3049656M1	1	Spacer	From Serial or Engine Number 7108

690

STEERING UNIT  
 DIRECTION  
 LENKGEHAUSE  
 GRUPPO STERZO  
 DIRECCION

30303001

3-3030-001-A



STEERING UNIT

Item	Part Number	Qty	Description	Comments
1	782509M91	1	Valve	
2	1887731M91	1	Housing	(1)
3		1	Yoke	(2)
				Not serviced, order 1887731M91
4		1	Spool	(2)
				Not serviced, order 1887731M91
5		1	Spool	(2)
				Not serviced, order 1887731M91
6	1887732M1	1	Spacer	(1)
7	1887719M1	1	Seal	(1)
				(A)
8	1890400M1	1	O Ring	(1)
				(A)
9	1887720M1	1	Washer	(1)
10	1887721M1	1	Bearing	(1)
11	1887722M1	1	Race	(1)
12	1806303M1	1	Bush	(1)
13	1806305M1	6	Spring	(1)
14	1806310M1	1	Pin	(1)
15	1806311M1	1	Ball	(1)
16	1806312M1	1	Pin	(1)
17	1806313M1	1	Seat	(1)
18	1806314M1	1	Seal	(1)
				(A)
19	1806319M1	1	Plate	(1)
20	1806315M1	2	Seal	(1)
				(A)
21	1887733M1	1	Kit, Gear	(1)
22		1	Gear	(21)
				Not serviced, order 1887733M1
23		1	Gear	(21)
				Not serviced, order 1887733M1
24	1806316M1	1	Cap	(1)
25	1887734M1	1	Plate	(1)
26	1806318M1	1	Screw	(1)
27	1887727M1	1	Screw	(1)
28	1887730M1	6	Screw	(1)
29	1806317M1	7	Washer	(1)
30	1806416M1	1	Shaft	(1)
31	1810503M91	X	Kit, Repair	(B)

(A)  
INCLUDED IN KIT 1810503M91

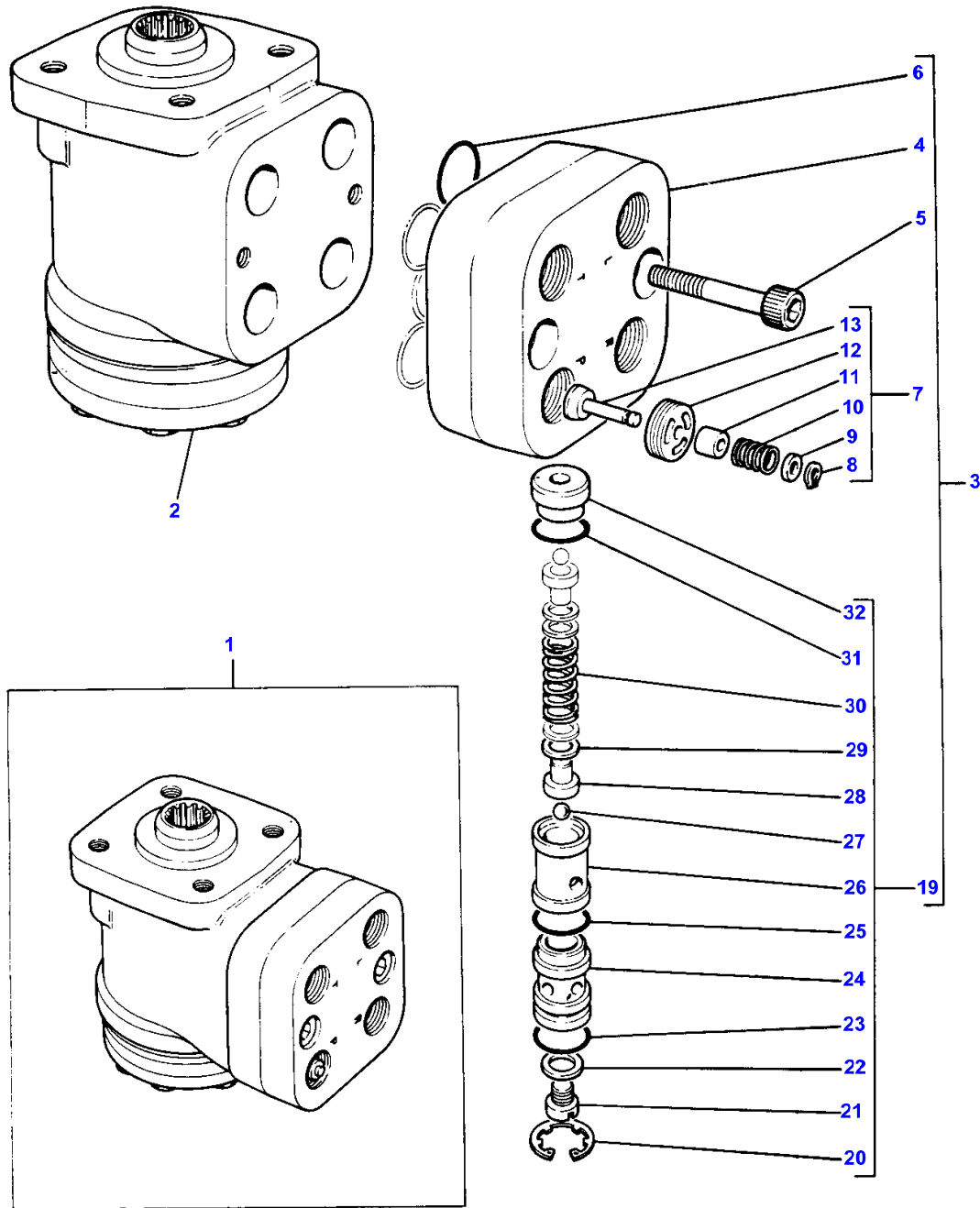
(B)  
INCLUDES ITEMS MARKED (A)

694

**SAFETY BLOCK**  
**BLOC DE SECURITE**  
**SICHERHEITSVENTIL**  
**BLOCCHETTO DI SICUREZZA**  
**CIERRE DE SEGURIDAD**

30153001

3-3015-001-A





SAFETY BLOCK - GERMANY ONLY

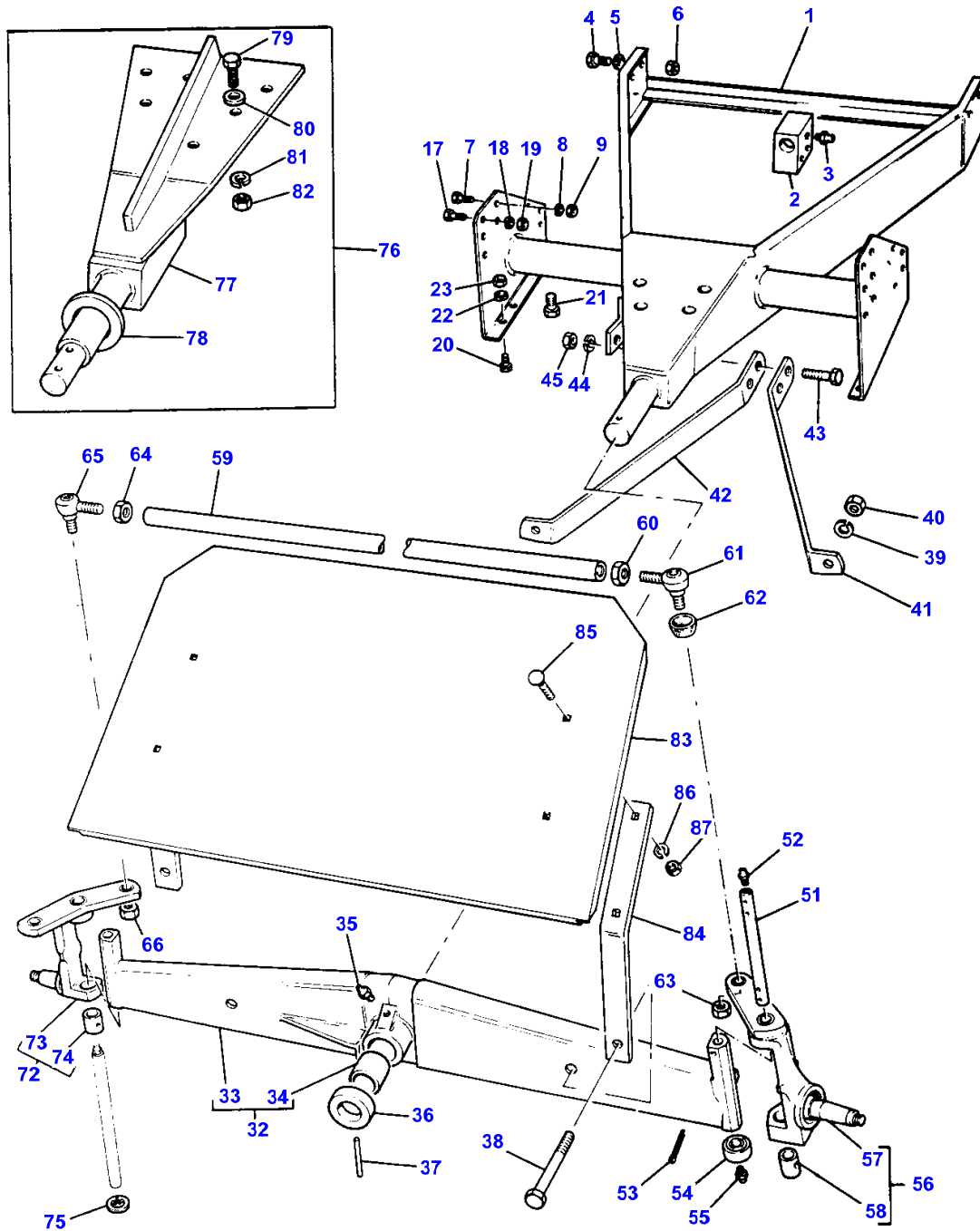
Item	Part Number	Qty	Description	Comments
				GERMANY ONLY
1	617777M91	1	Valve	Up to Serial or Engine Number 7108
2	782509M91	1	Valve	(1) (A)
3	617820M91	1	Block	(1) (D)
4		1	Housing	(3) Not serviced, order 617820M91
5		2	Screw	(3) (B) Not serviced, order 1806332M1
6		4	O Ring	(3) (B) Not serviced, order 1806332M1
7	1806328M1	1	Valve	(3)
8		1	Circlip	(7) Not serviced, order 1806328M1
9		1	Washer	(7) Not serviced, order 1806328M1
10		1	Spring	(7) Not serviced, order 1806328M1
11		1	Spacer	(7) Not serviced, order 1806328M1
12		1	Seat	(7) Not serviced, order 1806328M1
13		1	Cone	(7) Not serviced, order 1806328M1
19	1806330M1	1	Valve	(3)
20		1	Circlip	(19) Not serviced, order 1806330M1
21		1	Screw	(19) Not serviced, order 1806330M1
22		1	Washer	(19) Not serviced, order 1806330M1
23		1	O Ring	(19) (B) Not serviced, order 1806332M1
24		1	Spool	(19) Not serviced, order 1806330M1
25		1	O Ring	(19) (B) Not serviced, order 1806332M1
26		1	Cylinder	(19) Not serviced, order 1806330M1
27		2	Ball	(19) Not serviced, order 1806330M1
28		2	Plunger	(19) Not serviced, order 1806330M1
29		4	Washer	(19) Not serviced, order 1806330M1
30		1	Spring	(19) Not serviced, order 1806330M1
31		1	O Ring	(19) (B) Not serviced, order 1806332M1
32		1	Plug	(19) Not serviced, order 1806330M1
				(A) FOR BREAKDOWN REFER TO APPROPRIATE SECTION
				(B) INCLUDED IN REPAIR KIT 1806332M1
				(C) NO LONGER SERVICED REFER SUBSTITUTION LIST FOR DET
				(D) USE 3044 899 M91

696

A FRAME AND REAR AXLE  
 ESSIEU ARRIERE  
 RAHMEN UND HINTERACHE  
 TELAIO E ASSALE POSTERIORE  
 ARMAZON A Y EJE TRASERO

25913001

3-2591-001-B



"A" FRAME AND REAR AXLE

Item	Part Number	Qty	Description	Comments
1	788617M96	1	Frame	
	617806M93	1	Frame	(A)
2	789385M1	1	Block	
3	MP 1056	1	Grease Nipple	
4	353518X1	8	Screw Unf	
5	338688X1	8	Washer	
6	353916X1	8	Nut Unf	
7	353518X1	8	Screw Unf	
8	338688X1	8	Washer	
9	353916X1	8	Nut Unf	
17	353561X1	6	Screw Unf	
18	338687X1	6	Washer	
19	376760X1	6	Nut	
20	353520X1	4	Bolt Unf	
21	376305X1	4	Screw Unf	
22	338688X1	8	Washer	
23	376447X1	8	Nut Unf	
32	789367M91	1	Axle	
	1855522M91	1	Axle	(A)
33		1	Axle	(32) Not serviced, order 789 367 M91 /1855 522 M91
34	789371M1	2	Bearing	(32)
35	MP 1056	1	Grease Nipple	
36	789384M1	1	Collar	
37	789386M2	1	Pin	
38	353637X1	2	Bolt Unf	
	353639X1	2	Bolt Unf	(A) From Serial or Engine Number 5118
39	353433X1	2	Lock Washer	
40	353427X1	2	Nut Unf	
41	1615214M1	1	Brace	Right Hand
	1615218M1	1	Brace	(A) Right Hand
42	1615213M1	1	Brace	Left Hand
	1615219M1	1	Brace	(A) Left Hand
43	353645X1	2	Bolt Unf	
44	353433X1	2	Lock Washer	
45	353427X1	2	Nut Unf	
51	792369M1	2	Pin	
52	MP 1056	2	Grease Nipple	
53	16738X	2	Pin	
54	831777M1	2	Bearing	
55	MP 1058	2	Nipple	
56	784721M91	1	Spindle	Right Hand
57		1	Spindle	(56) Not serviced, order 784 721 M91
58	11626D	1	Bush	(56)
59	3044759M91	1	Bar	
60	377203X1	1	Nut Unf	
61	884701M92	1	End	Right Hand
62	890124M2	2	Seal	
63	376267X1	1	Nut Unf	
64	377202X1	1	Nut	
65	786715M1	1	End	Left Hand
66	376267X1	1	Nut Unf	
72	789365M92	1	Spindle	Left Hand
73		1	Spindle	(72) Not serviced, order 789 365 M92
74	11626D	2	Bush	(72)
75	22036X	2	Segment	
76	617810M91	X	Kit, Extension	(A)
77	914558M91	1	Extension	(76)
78	914550M1	1	Spacer	(76)
79	353595X1	8	Screw Unf	(76)
80	353758X1	8	Washer	(76)
81	353439X1	8	Lock Washer	(76)
82	353437X1	8	Nut Unf	(76)
83	1616710M91	1	Deflector	(A)

**"A" FRAME AND REAR AXLE**

<b>Item</b>	<b>Part Number</b>	<b>Qty</b>	<b>Description</b>	<b>Comments</b>
84	1616713M1	2	Support	From Serial or Engine Number 5118 (A)
85	353810X1	4	Bolt Unf	From Serial or Engine Number 5118 (A)
86	353434X1	4	Lock Washer	From Serial or Engine Number 5118 (A)
87	353431X1	4	Nut Unf	From Serial or Engine Number 5118 (A)

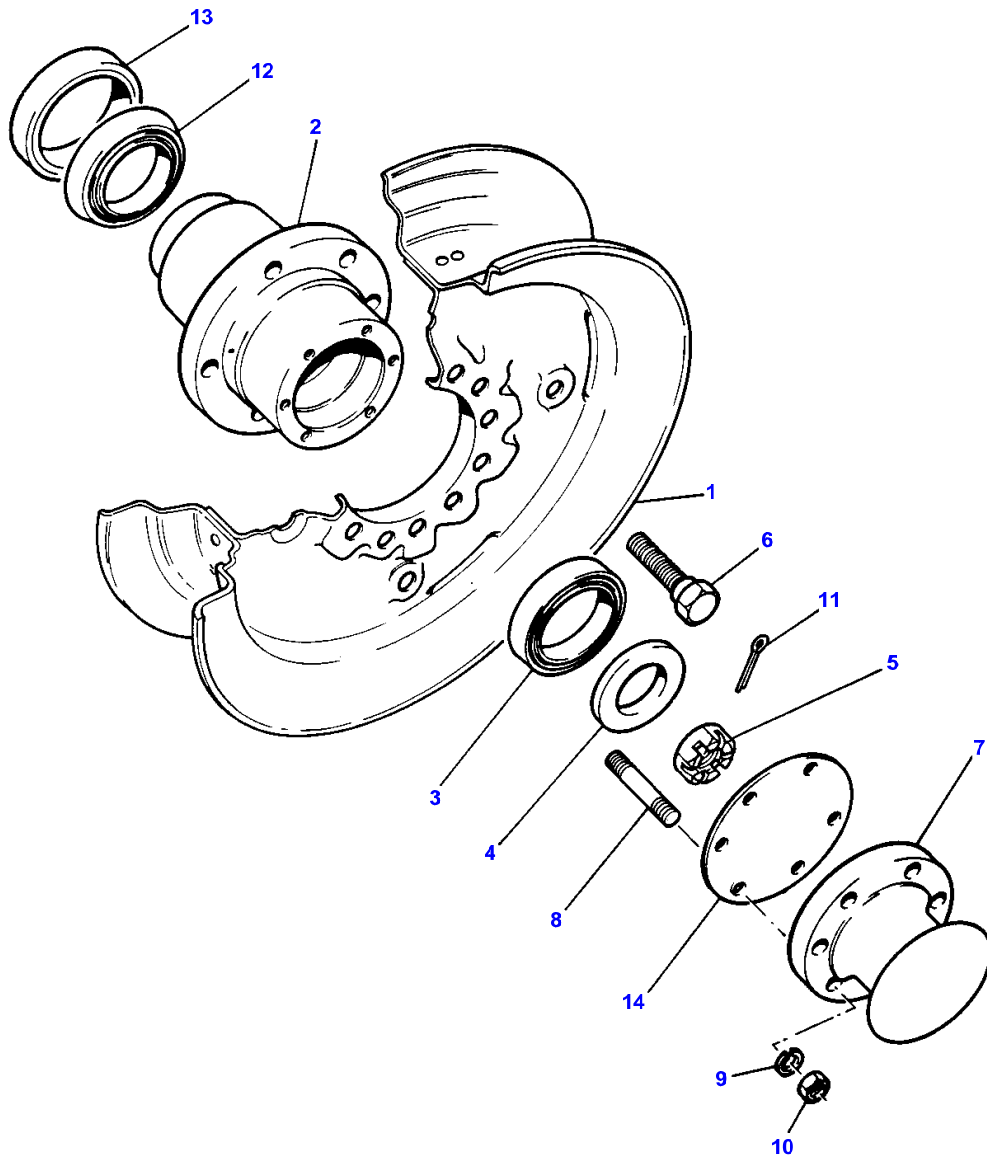
(A)  
RICE MACHINES

700

REAR WHEELS  
ROUES ARRIERE  
HINTERRADER  
RUOTAS POSTERIORE  
RUEDAS TRASERAS

30213001

3-3021-001-A



REAR WHEELS

Item	Part Number	Qty	Description	Comments
1	789415M2	2	Wheel	12"X18"
	789815M2	2	Wheel	10"X16"
2	784680M2	2	Hub	
	789366M1	2	Hub	(A)
3	1851800M91	2	Bearing Assy	
4	353776X1	2	Washer	
5	353929X1	2	Nut Unf	
6	377404X1	12	Bolt	(B)
7	794764M1	2	Cap	
8	353966X1	12	Stud	
9	353432X1	12	Lock Washer	
10	353426X1	12	Nut Unf	
11	375090X1	2	Pin	
12	895214M91	2	Bearing	
13	833023M1	2	Seal	
14	794826M1	1	Gasket	

(A)  
RICE MACHINES

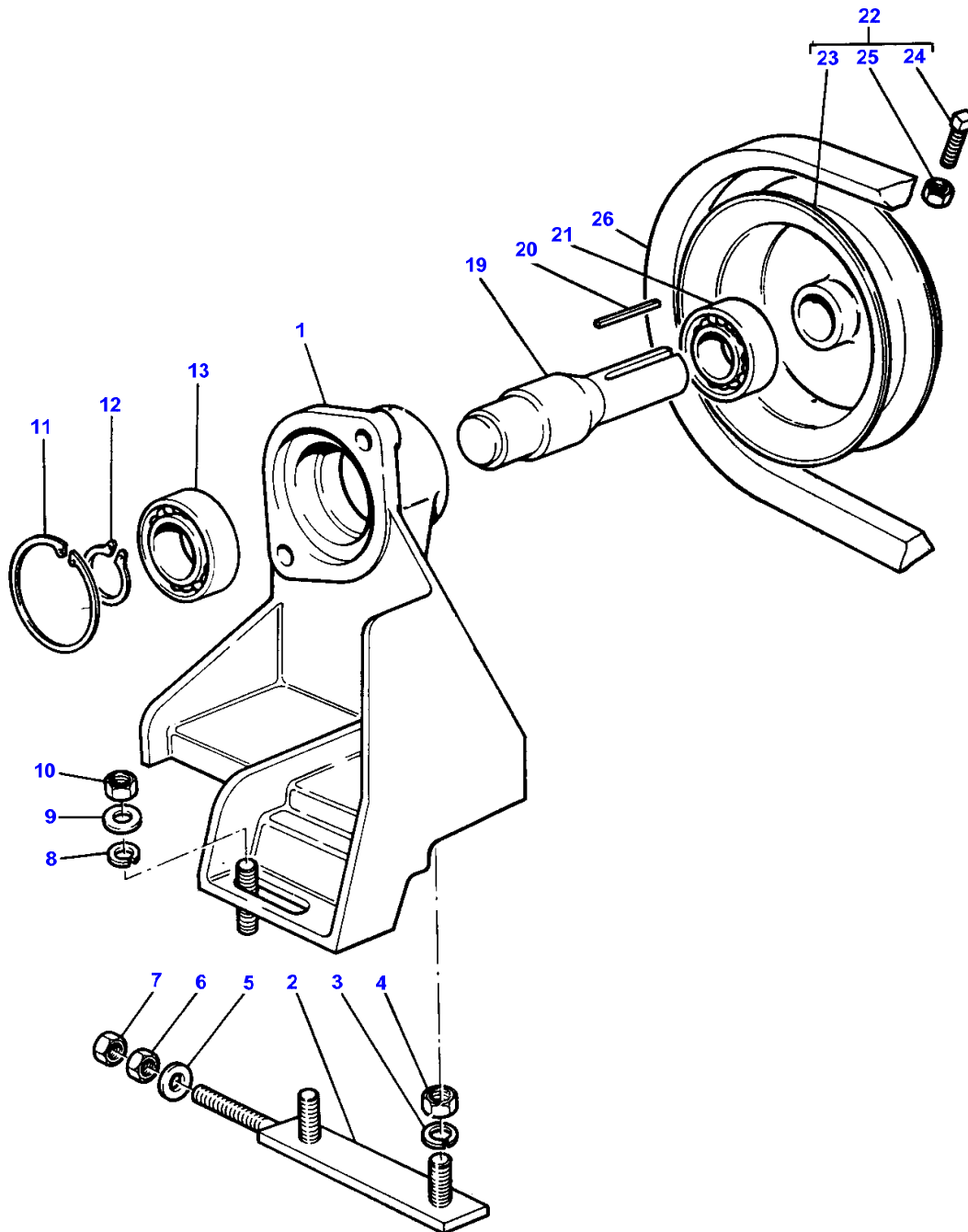
(B)  
USE 16 OFF WITH 789 366 M1

702

HYDRAULIC PUMP DRIVE  
 COMMANDE POMPE HYDRAULIQUE  
 HYDRAULIKPUMPENANTRIEB  
 COMANDI POMPA IDRAULICA  
 MANDO BOMBA HIDRAULICA

31003001

3-3100-001-A



HYDRAULIC PUMP DRIVE

Item	Part Number	Qty	Description	Comments
1	782847M2	1	Bracket	
2	796704M91	1	Plate	
3	353432X1	2	Lock Washer	
4	353426X1	2	Nut Unf	
5	353757X1	1	Washer	
6	353426X1	1	Nut Unf	
7	353428X1	1	Nut Unf	
8	353757X1	1	Washer	
9	353432X1	1	Lock Washer	
10	353426X1	1	Nut Unf	
11	22289X	1	Circlip	
12	208221M1	1	Ring	
13	204220M1	1	Bearing	
19	233637M1	1	Shaft	
20	MP 1398	1	Key Door	
21	204220M1	1	Bearing	
22	782852M91	1	Pulley	
23		1	Pulley	(22) Not serviced, order 782 852 M91
24	353747X1	2	Screw Unc	(22)
25	375110X1	2	Nut Unc	(22)
26	782850M2	1	Belt	

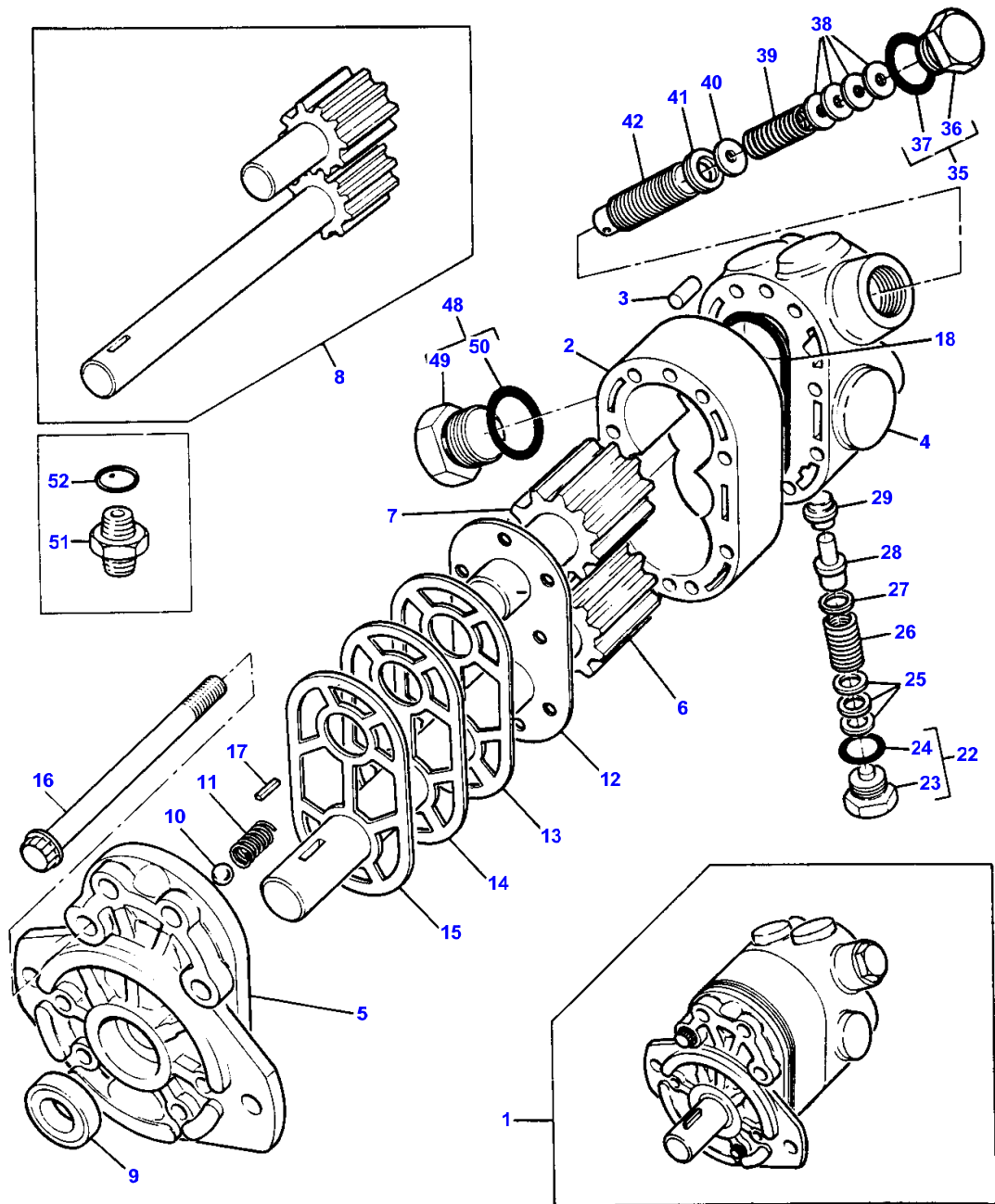


704

HYDRAULIC PUMP  
 POMPE HYDRAULIQUE  
 HYDRAULIKPUMPE  
 POMPA IDRAULICA  
 BOMBA HIDRAULICA

30953001

3-3095-001-A



HYDRAULIC PUMP

Item	Part Number	Qty	Description	Comments
1	1855564M91	1	Pump	(A)
	1855055M92	1	Pump	(A)
	1855055M93	1	Pump	(A)
	1855055M94	1	Pump	(A)
	1855055M95	1	Pump	(A)
2	1885945M1	1	Body	(1) (B,N)
2	1890151M91	1	Body	(1) (C)
3	1882811M1	2	Dowel	(1)
4		1	Backplate	(1) (D,E)
5	1020331M91	1	Plate	(1) (B)
5	1888196M91	1	Plate	(1) (N)
5	1892065M91	1	Plate	(1) (C)
6	1885947M91	1	Gear	(1) (B)
7	1885946M91	1	Gear	(1) (B)
8	1810520M91	1	Gear	(1) (N,C)
9	1018066M1	1	Seal	(1) (F,G)
10		2	Ball	(1) (F)
11		2	Spring	(1) (F)
12		1	Diaphragm	(1) (F,G)
13		1	Gasket	(1) (F,G)
14		1	Gasket	(1) (F,G)
15		1	Seat	(1) (F,G)
16	1024134M1	8	Screw	(1) (B)
16	1024134M1	4	Screw	(1) (N,C)
16	1400176M1	4	Screw	(1) (N,C)
17	832473M1	1	Key Door	(1)
18	365809X1	1	Ring	(1) (F,G)
22	1882862M91	1	Plug	(1) (D,E)
23		1	Plug	(22) (D,E)
				Not serviced, order 1882862M91
24	195562M1	1	O Ring	(22) (D,E,F,G)
25		X	Shim	(1) (D,E)
26		1	Spring	(1) (D,E)
27		X	Shim	(1) (D,E)
28	1032687M91	1	Poppet	(1) (D,E)
29		1	Seat	(1) (D,E)
35	1882863M91	1	Plug	(1) (D,E)
36		1	Plug	(35) (D,E)
				Not serviced, order 1882863M91
37	851258M1	1	O Ring	(35)

HYDRAULIC PUMP

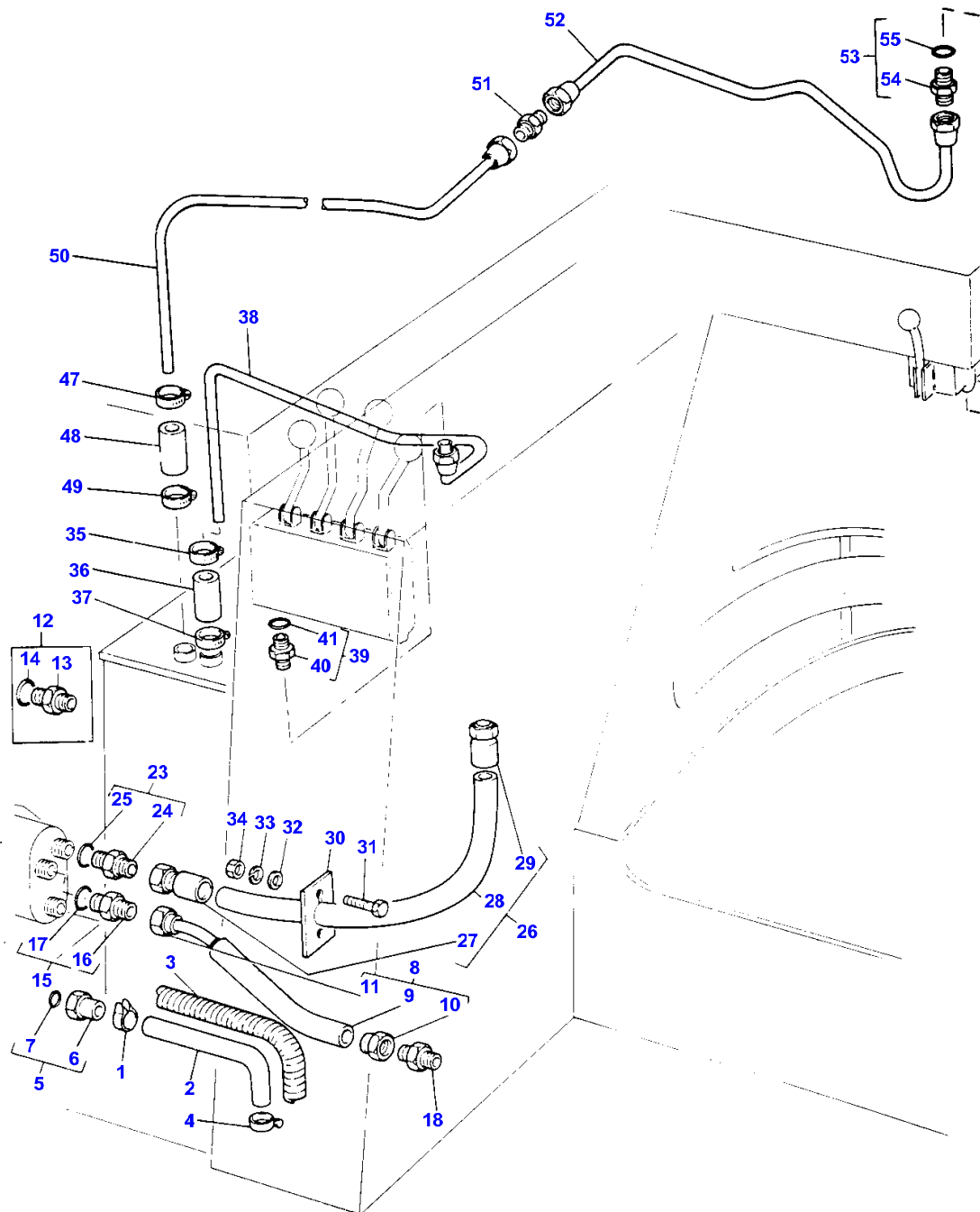
Item	Part Number	Qty	Description	Comments
38		X	Disc	(D,E,F,G) (1)
39		1	Spring	(D,E) (1)
40		1	Disc	(D,E) (1)
41		1	Sleeve	(D,E) (1)
42		1	Spool	(D,E) (1)
48	1882864M91	1	Plug	(D,E) (1)
49		1	Plug	(D,E) (48)
50	831617M1	1	Ring	Not serviced, order 1882864M91 (48)
51	1892066M1	1	Connector	(D,E,F,G) (E)
52	1882958M1	1	O Ring	(E)
52	1810408M91	X	Kit, Repair	(B,H,N)
				(A) NO LONGER SERVICED ORDER 1855055M95 WITH 1892066M1 QTY 1 AND 1882958M1 QTY 1
				(B) USE ONLY WITH 185564M91-1855055M92
				(C) USE WITH 1855055M93-M94-M95
				(D) INCLUDED IN REPAIR KIT 1810477M91
				(E) INCLUDED IN REPAIR KIT 1810632M91
				(F) INCLUDED IN REPAIR KIT 1810408M91
				(G) INCLUDED IN REPAIR KIT 1810595M91
				(H) CONTAINS ITEMS MARKED (F)
				(J) CONTAINS ITEMS MARKED (G)
				(K) NO LONGER SERVICED ORDER 1810632M91
				(L) CONTAINS ITEMS MARKED (D)
				(M) CONTAINS ITEMS MARKED (E)
				(N) USE ONLY WITH 185564M91

710

HYDRAULIC PUMP ARRANGEMENTS  
 TUYAUTERIES POMPE HYDRAULIQUE  
 INSTALLATION HYDRAULIKPUMPE  
 DISPOSITIVO POMPA IDRAULICA  
 INSTALACION BOMBA HIDRAULICA

31103001

3-3110-001-B



**HYDRAULIC PUMP ARRANGEMENTS**

Item	Part Number	Qty	Description	Comments
1	832203M1	1	Clip	
2	896194M1	1	Hose	Not serviced, order 1888 611 M1
3	3370620M1	1	Sleeve	
4	832203M1	1	Clip	
5	895666M91	1	Connection	
6		1	Connector	(5) Not serviced, order 895 666 M91
7	631674M1	1	O Ring	(5)
8	896186M91	1	Hose	(A)
9		1	Hose	(8) (B) 10.2"-513MM
10	1895154M2	1	Union	(8)
11	1895153M2	1	Elbow	(8)
12	835091M91	1	Connector	(E)
13		1	Connector	(12) Not serviced, order 835 091 M91
14	831452M1	1	O Ring	(12)
15	1892066M1	1	Connector	(F)
16		1	Connector	(15) Not serviced, order 1892 066 M91
17	1882958M1	1	O Ring	(15)
18	356266X1	1	Union	
23	835013M91	1	Union	
24		1	Connector	(23) Not serviced, order 835 013 M91
25	1882958M1	1	O Ring	(23)
26	896182M91	1	Hose	(A)
27	1891282M2	1	Coupling	(26)
28		1	Hose	(26) (D) 33.5"-851MM
29	1891282M2	1	Coupling	(26)
30	233239M1	1	Seal	
31	353517X1	2	Screw Unf	
32	353755X1	2	Washer	
33	353446X1	2	Lock Washer	
34	353916X1	2	Nut Unf	
35	375499X1	2	Hose Clip	
36	783666M1	1	Hydr Hose	(C) 3"-76MM
37	375499X1	1	Hose Clip	
38	783465M93	1	Tube	
39	358743X91	1	Union	
40		1	Connector	(39) Not serviced, order 358 743 X91
41	1852568M1	1	O Ring	(39)
47	375499X1	1	Hose Clip	
48	783666M1	1	Hydr Hose	(C) 3"-76MM
49	375499X1	1	Hose Clip	
50	1855095M91	1	Tube	
51	356860X1	1	Union	
52	1615391M92	1	Tube	
53	358743X91	1	Union	
54		1	Connector	(53) Not serviced, order 358 743 X91
55	1852568M1	1	O Ring	(53)

(A)  
NOT SERVICED ORDER DETAILS

(B)  
CUT FROM 30M LENGTH 1888 629 M1

(C)  
CUT FROM 30M LENGTH 1888 643 M1

(D)  
CUT FROM 30M LENGTH 1888 621 M1

**MASSEY FERGUSON**  
**MF 520/525 COMBINES - 819611**  
**HYDRAULIC PUMP ARRANGEMENTS**

**819611**

**710**

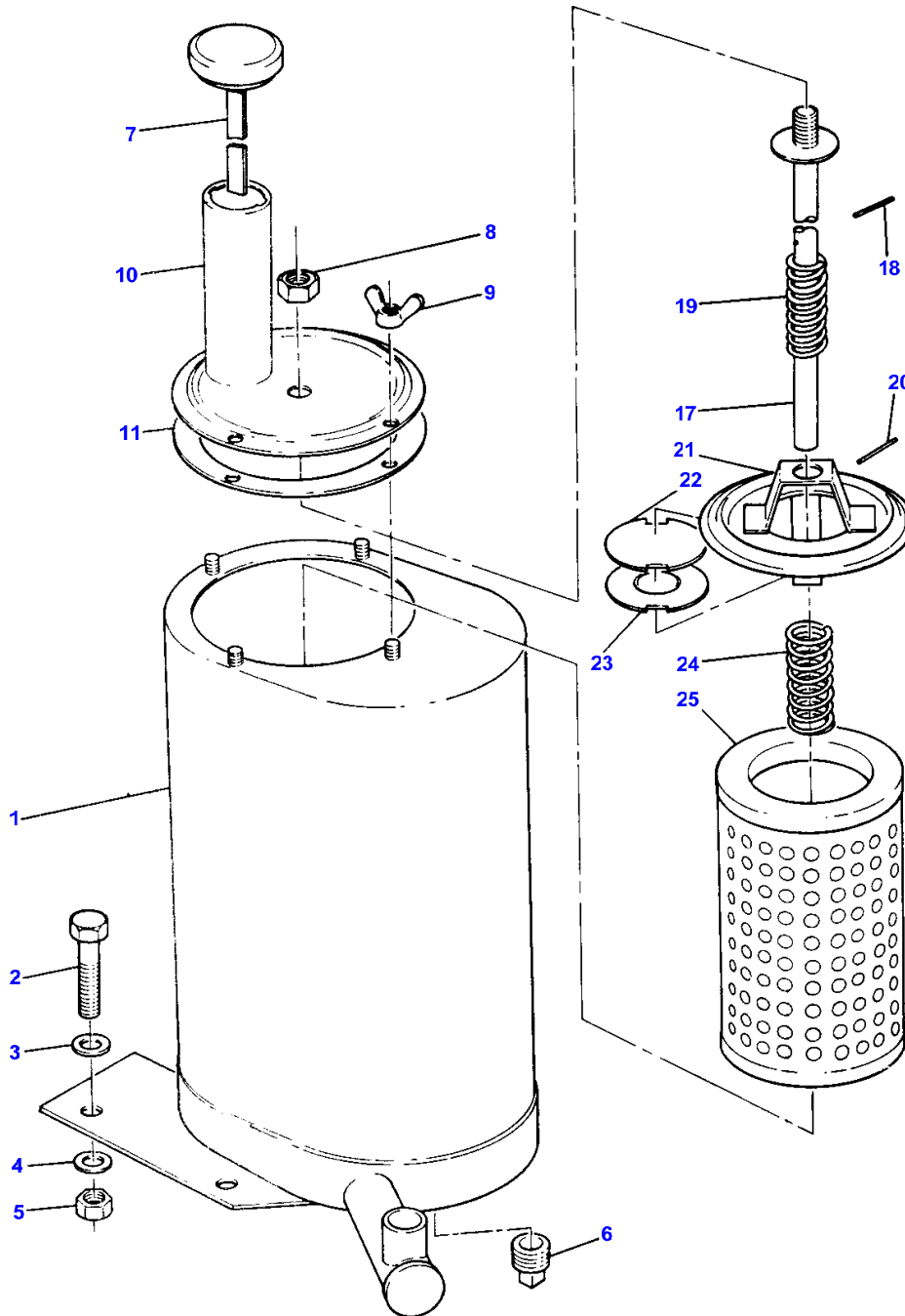
Item	Part Number	Qty	Description	Comments
				(E) FOR USE WITH PUMPS UP TO 1855 055 M94
				(F) USE WITH PUMPS FROM 1855 055 M95

714

CONTAINER  
 REDERVOIR HYDRAULIQUE  
 HYDRAULIKOELBEHAELTER  
 CONTENITORE  
 CONTENEDOR

30903001

3-3090-001-A



CONTAINERR

Item	Part Number	Qty	Description	Comments
1	782592M93	1	Tank	(A) Up to Serial or Engine Number 6320
1	1616765M91	1	Tank	(B) From Serial or Engine Number 6320
2	353559X1	3	Screw Unf	
3	353772X1	3	Washer	
4	353432X1	3	Lock Washer	
5	353426X1	3	Nut Unf	
6	375181X1	1	Plug	
7	782572M91	1	Dipstick	
8	353457X1	1	Nut Fns	
9	355583X1	4	Nut Unf	
10	782569M91	1	Plate	
11	782568M1	2	Washer	
17	782566M91	1	Rod	
18	357622X1	1	Pin	
19	782565M1	1	Spring	
20	354059X1	1	Pin	
21	782535M91	1	Plate	
22	782564M1	1	Washer	
23	782563M1	1	Plate	
24	782562M1	1	Spring	
25	1851399M1	1	Element	

(A)  
MECHANICAL TABLE CLUTCH

(B)  
HYDRAULIC TABLE CLUTCH

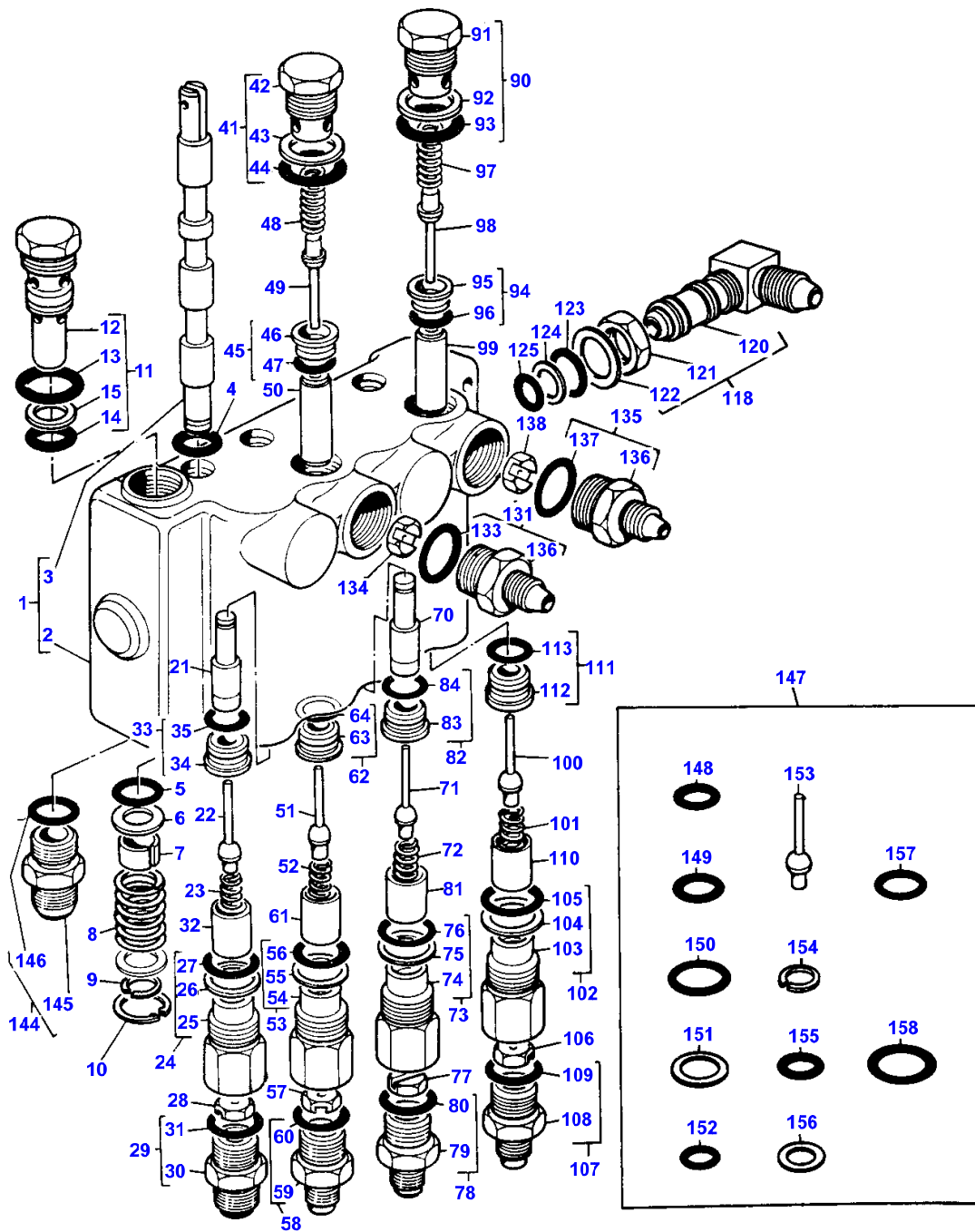


716

CONTROL VALVE  
CENTRALE HYDRAULIQUE  
HYDRAULIKSTEUERGERAET  
DISTRIBUTORE  
VALVULA DE CONTROL HIDRAULICO

31653001

3-3165-001-A



CONTROL VALVE

Item	Part Number	Qty	Description	Comments
1	1855056M93	1	Valve	
2		1	Body	(1) Not serviced, order 1855 056 M93
3		4	Spool	(1) Not serviced, order 1855 056 M93
4	851258M1	4	O Ring	(1)
5	364568X1	4	Seal	(1)
6	1085792M1	8	Washer	
7	1031801M1	4	Spacer	(1)
8	1884853M1	1	Spring	(1) (A)
8	1031800M1	3	Spring	(1)
9	1509489M1	4	Ring	(1)
10	22091X	4	Circlip	(1)
11	1032054M91	1	Valve	(1) 2000 P.S.I
12		1	Valve	(11) Not serviced, order 1032 054 M91
13	851134M1	1	O Ring	(11)
14	851258M1	1	O Ring	(11)
15	1024129M1	1	Washer	(11)
21	1033023M1	1	Plunger	(1) (B)
22	1892950M91	1	Poppet	(1) (B)
23	1508874M1	1	Spring	(1) (B)
24	1885950M91	1	Plug	(1) (B)
25		1	Plug	(24) Not serviced, order 1885 950 M91
26	1883109M1	1	Washer	(24)
27	851134M1	1	O Ring	(24)
28	1025480M1	1	Orifice Plate	(1) (B)
29	1886873M91	1	Connector	(1) (B)
30		1	Connector	(29) Not serviced, order 1886 873 M91
31	1852568M1	1	O Ring	(29)
32	1885784M1	1	Spacer	(1)
33	1855942M1	1	Gear	(1)
34		1	Seat	(33) Not serviced, order 1885 942 M91
35	831520M1	1	O Ring	(33)
41	1885949M91	1	Plug	(1) (C)
42		1	Plug	(41) Not serviced, order 1885 949 M91
43	1883109M1	1	Washer	(41)
44	851134M1	1	O Ring	(41)
45	1885942M91	1	Seat	(1) (C)
46		1	Seat	(45) Not serviced, order 1885 942 M91
47	831520M1	1	O Ring	(45)
48	1885580M1	1	Spring	(1) (C)
49	1508873M91	1	Poppet	(1) (C)
50	1885862M1	1	Plunger	(1) (C)
51	1508873M91	1	Poppet	(1) (C)
52	1885580M1	1	Spring	(1) (C)
53	1885950M91	1	Plug	(1) (C)
54		1	Plug	(53) Not serviced, order 1885 950 M91

CONTROL VALVE

Item	Part Number	Qty	Description	Comments
55	1883109M1	1	Washer	(53)
56	851134M1	1	O Ring	(53)
57	1020287M1	1	Orifice Plate	(1) (C)
58	1886874M91	1	Connector	(1)
59		1	Connector	(58) Not serviced, order 1886 874 M91
60	1852568M1	1	O Ring	(58)
61	1885784M1	1	Spacer	(1)
62	1885942M91	1	Seat	(1)
63		1	Kit, Seat	(62) Not serviced, order 1885 942 M91
64	831520M1	1	O Ring	(62)
70	1033023M1	1	Plunger	(1) (D)
71	1508873M91	1	Poppet	(1) (D)
72	1508874M1	1	Spring	(1) (D)
73	1885950M91	1	Plug	(1) (D)
74		1	Plug	(73) Not serviced, order 1885 950 M91
75	1883109M1	1	Washer	(73)
76	851134M1	1	O Ring	(73)
77	1020288M1	1	Orifice Plate	(1) (D)
78	1886875M91	1	Connector	(1) (D)
79		1	Connector	(78) Not serviced, order 1886 875 M91
80	1852568M1	1	O Ring	(78)
81	1885784M1	1	Spacer	(1)
82	1885942M91	1	Seat	(1)
83		1	Seat	(82) Not serviced, order 1885 942 M91
84	831520M1	1	O Ring	(82)
90	1885949M91	1	Plug	(1) (E)
91		1	Plug	(90) Not serviced, order 1885 949 M91
92	1883109M1	1	Washer	(90)
93	851134M1	1	O Ring	(90)
94	1885942M91	1	Seat	(1) (E)
95		1	Kit, Seat	(94) Not serviced, order 1885 942 M91
96	831520M1	1	O Ring	(94)
97	1885580M1	1	Spring	(1) (E)
98	1508873M91	1	Poppet	(1) (E)
99	1885862M1	1	Plunger	(1) (E)
100	1508873M91	1	Poppet	(1) (E)
101	1885580M1	1	Spring	(1) (E)
102	1885950M91	1	Plug	(1) (E)
103		1	Plug	(102) Not serviced, order 1885 950 M91
104	1883109M1	1	Washer	(102)
105	851134M1	1	O Ring	(102)
106	1020286M1	1	Orifice Plate	(1) (E)
107	1886875M91	1	Connector	(1) (E)
108		1	Connector	(107) Not serviced, order 1886 875 M91

CONTROL VALVE

Item	Part Number	Qty	Description	Comments
109	1852568M1	1	O Ring	(107)
110	1885784M1	1	Spacer	(1)
111	1885942M91	1	Seat	(1)
112		1	Seat	(111) Not serviced, order 1885 942 M91
113	831520M1	1	O Ring	(111)
119	1887105M91	1	Plug	(1)
120		1	Plug	(119) Not serviced, order 1887 105 M91
121		1	Nut	(119) Not serviced, order 1887 105 M91
122		1	Washer	(119) Not serviced, order 1887 105 M91
123	851134M1	1	O Ring	(119)
124	1884849M1	1	Washer	(119)
125	831285M1	1	Ring	(119)
131	1886874M91	1	Connector	(1)
132		1	Connector	(131) Not serviced, order 1886 874 M91
133	1852568M1	1	O Ring	(131)
134	1020286M1	1	Orifice Plate	(1)
135	1886875M91	1	Connector	(1)
136		1	Connector	(135) Not serviced, order 1886 875 M91
137	1852568M1	1	O Ring	(135)
138	1885783M1	1	Plate	(1)
144	1886876M91	1	Union	
145		1	Connector	(144) Not serviced, order 1886 876 M91
146	1852568M1	1	O Ring	(144)
147	1810095M92	X	Kit, Joint	
148	851134M1	4	O Ring	(147)
149	364568X1	4	Seal	(147)
150	851258M1	9	O Ring	(147)
151	1883109M1	8	Washer	(147)
152	831520M1	6	O Ring	(147)
153	1508873M91	5	Poppet	(147)
154	1509489M1	4	Ring	(147)
155	831285M1	1	Ring	(147)
156	1884849M1	1	Washer	(147)
157	1852568M1	7	O Ring	(F) (147)
158	196055M1	2	Ring	(147) (F)

(A)  
WITH TABLE LIFT SPOOL

(B)  
WITH TABLE LIFT ARRANGEMENT

(C)  
WITH REEL SPEED ARRANGEMENT

(D)  
WITH REEL LIFT ARRANGEMENT

(E)  
WITH FORE AND AFT REEL ARRANGEMENT

(F)  
NOT FITTED ON THIS APPLICATION

722

TABLE LIFT  
 RELEVAGE DE TABLE  
 TISCHAUSHEBUNG  
 SOLLEVAMENTO TAVOLA  
 ELEVADOR PLATAFORMA

31503001

3-3150-001-A

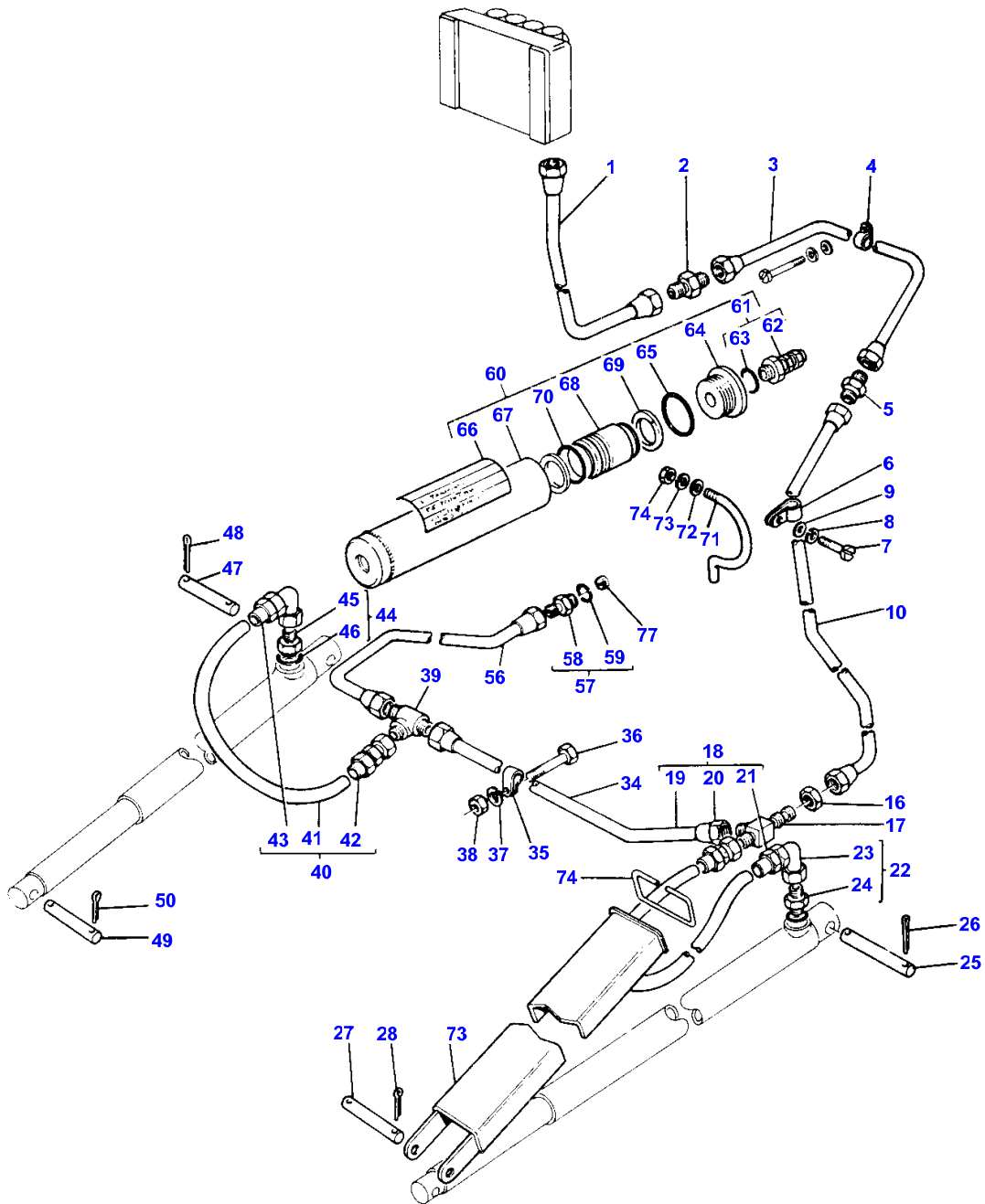


TABLE LIFT

Item	Part Number	Qty	Description	Comments
1	783380M92	1	Tube	
2	356860X1	1	Union	
3	783378M94	1	Tube	
4	1855580M1	1	Clip	
5	356860X1	1	Union	
6	3370252M1	2	Clip	
7	355125X1	2	Screw	
8	353445X1	2	Lock Washer	
9	353753X1	2	Washer	
10	783392M92	1	Tube	
16	356614X1	1	Nut Unf	
17	895664M1	1	Teepiece	
18	896183M91	1	Hose	(A)
19		1	Hose	(18) (B) 24.5"/622MM
20	896185M1	1	Union	(18)
21	896184M1	1	Elbow	(18)
22	360202X91	1	Connector	
23		1	Connector	(22) Not serviced, order 360 202 X91
24	1852568M1	1	O Ring	(22)
25	786540M1	1	Pin	
26	354091X1	2	Pin	
27	786540M1	1	Pin	
28	354091X1	2	Pin	
34	787652M91	1	Tube	
35	361219X1	2	Clip	
36	353517X1	2	Screw Unf	
37	353446X1	2	Lock Washer	
38	353916X1	2	Nut Unf	
39	355829X1	1	Teepiece	
40	896183M91	1	Hose	(A)
41		1	Hose	(40) (B) 24.5"/622MM
42	896185M1	1	Union	(40)
43	896184M1	1	Elbow	(40)
44	360202X91	1	Connector	
45		1	Connector	(44) Not serviced, order 360 202 X91
46	1852568M1	1	O Ring	(44)
47	786540M1	1	Pin	
48	354091X1	2	Pin	
49	786541M1	1	Pin	
50	354091X1	2	Pin	
56	785324M93	1	Tube	
57	360202X91	1	Connector	
58		1	Connector	(57) Not serviced, order 360 202 X91
59	1852568M1	1	O Ring	(57)
60	788679M92	1	Accumulator	
61	788672M1	1	Valve	(60)
62		1	Valve	(61) Not serviced, order 788 672 M1
63	831528M1	1	O Ring	(61)
64	788674M2	1	Cap	(60)
65	359186X1	1	Ring	(60)
66	783970M2	1	Decal	(60)
67	788678M91	1	Body	(60)
68	788677M1	1	Piston	(60)
69	788673M1	2	Washer	(60)
70	359314X1	1	Ring	(60)
71	785326M1	2	Clamp	
72	353755X1	2	Washer	
73	353446X1	2	Lock Washer	
74	353916X1	2	Nut Unf	
75	786536M91	1	Table	
76	786537M1	1	Cradle	
77	1508876M1	1	Restrictor	

TABLE LIFT

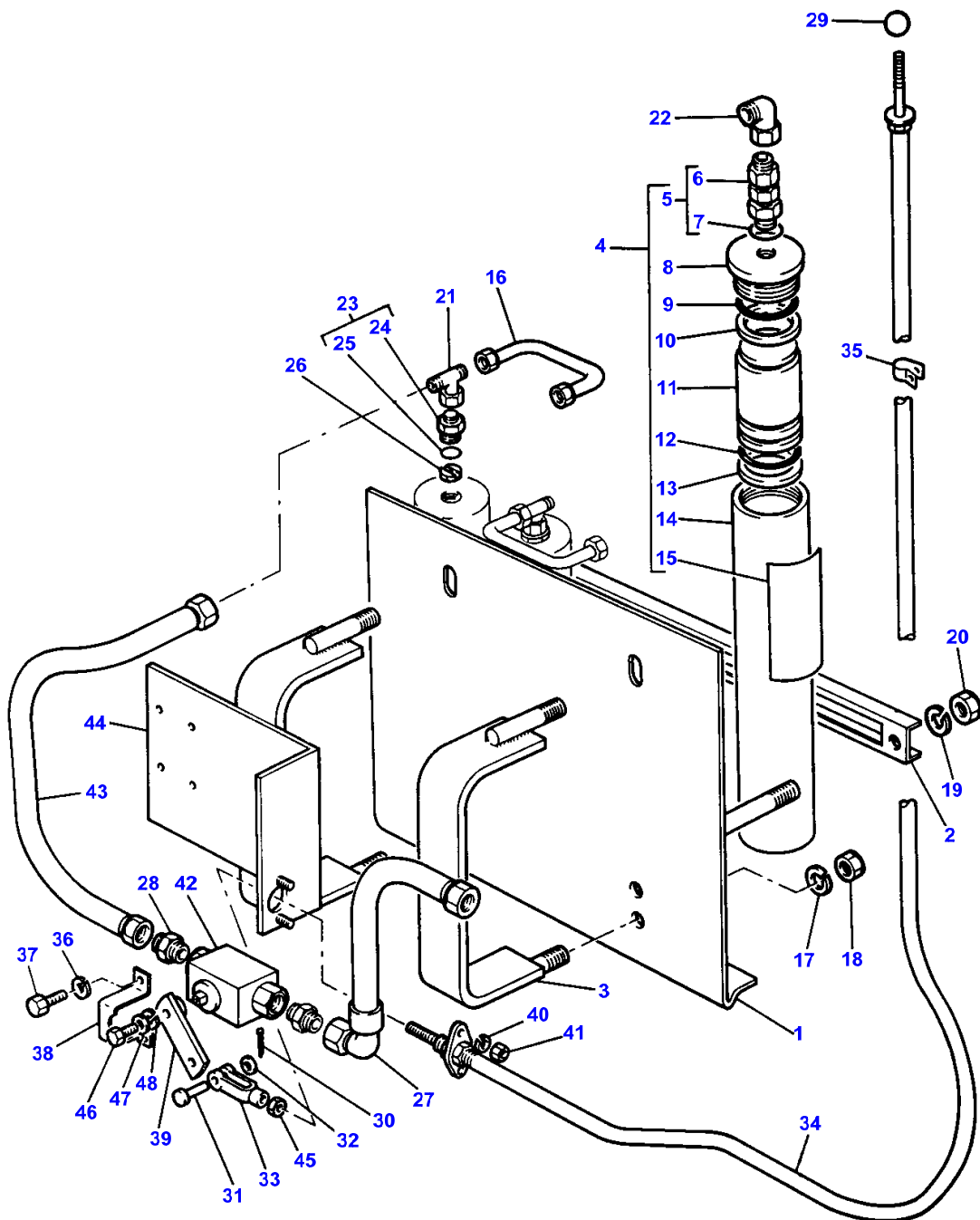
Item	Part Number	Qty	Description	Comments
				(A) NOT SERVICED, ORDER DETAILS
				(B) CUT FROM 30M LENGTH 1888 620 M1

726

TABLE LIFT  
 RELEVAGE DE TABLE  
 TISCHAUSHEBUNG  
 SOLLEVAMENTO TAVOLA  
 ELEVADOR PLATAFORMA

31503003

3-3150-003-A



DESIGNED IN U.K.

TRADE MARK

REGISTERED



**TABLE LIFT - 3 ACCUMULATOR INSTALLATION**

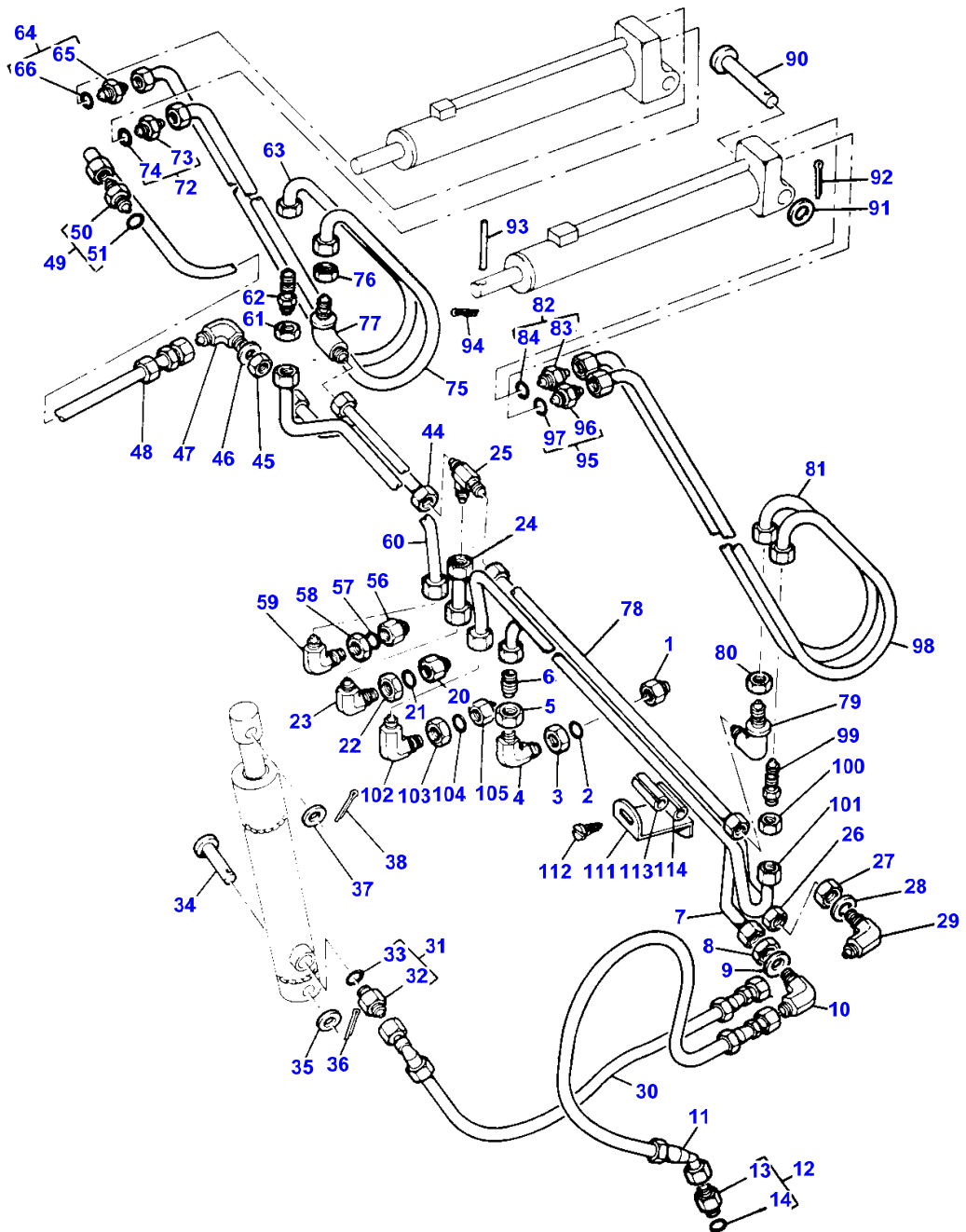
Item	Part Number	Qty	Description	Comments
3 ACCUMULATOR INSTALLATION				
1	3044143M91	1	Bracket	
2	3044144M91	1	Bar	
3	3044133M91	1	Stirrup	
4	3044714M91	3	Accumulator	
5	788672M1	1	Valve	(4)
6		1	Valve	(5) Not serviced, order 788 672M1
7	831528M1	1	O Ring	(5)
8	788674M2	1	Cap	(4)
9	359186X1	1	Ring	(4)
10	788673M1	1	Washer	(4)
11	788677M1	1	Piston	(4)
12	359314X1	1	Ring	(4)
13	788673M1	1	Washer	(4)
14	788678M91	1	Body	(4)
15	783970M2	1	Decal	(4)
16	3044139M91	2	Tube	
17	353439X1	4	Lock Washer	
18	353437X1	4	Nut Unf	
19	353432X1	3	Lock Washer	
20	353426X1	3	Nut Unf	
21	364457X1	2	Teepiece	
22	363737X1	1	Elbow	
23	360202X91	3	Connector	
24		1	Connector	(23) Not serviced, order 360 202X91
25	1852568M1	1	O Ring	(23)
26	1508876M1	3	Restrictor	
27	3044675M91	1	Hose	
28	354903X1	2	Connection	Up to Serial or Engine Number 7529
29	3044157M1	1	Knob Assy	Up to Serial or Engine Number 7529
30	361291X1	1	Pin	Up to Serial or Engine Number 7529
31	354039X1	1	Cotter	Up to Serial or Engine Number 7529
32	353769X1	1	Washer	Up to Serial or Engine Number 7529
33	1615995M1	1	Yoke	Up to Serial or Engine Number 7529
34	3044168M1	1	Cable	Up to Serial or Engine Number 7529
35	360043X1	3	Clip	Up to Serial or Engine Number 7529
36	353441X1	4	Lock Washer	Up to Serial or Engine Number 7529
37	353664X1	4	Screw Unc	Up to Serial or Engine Number 7529
38	3044131M1	2	Flange	Up to Serial or Engine Number 7529
39	3044127M91	1	Lever	Up to Serial or Engine Number 7529
40	353441X1	2	Lock Washer	Up to Serial or Engine Number 7529
41	355564X1	2	Nut Unc	Up to Serial or Engine Number 7529
42	3044147M1	1	Pressure Valve	Up to Serial or Engine Number 7529
43	3044676M91	1	Hose	Up to Serial or Engine Number 7529
44	3044138M91	1	Support	Up to Serial or Engine Number 7529
45	353917X1	1	Nut Unf	
46	339665X1	1	Screw Metric	
47	339362X1	1	Washer	
48	339382X1	1	Lock Washer	

730

HYDRAULIC FOR TABLE  
 HYDRAULIQUE DE TABLE  
 TISCHHYDRAULIK  
 IMPIANTO IDRAULICO PER TAVOLA  
 CIRCUITO HIDRAULICO PLATAFORMA

30853001

3-3065-001-A



**HYDRAULIC FOR TABLE**

Item	Part Number	Qty	Description	Comments
1	786724M91	1	Coupling	(A) MALE Q.R.
2	831452M1	1	O Ring	(A)
3	356614X1	1	Nut Unf	(A)
4	786235M1	1	Elbow	(A)
5	356465X1	1	Nut	(A)
6	356625X1	1	Adaptor	(A)
7	786173M91	1	Tube	(A) 10' TABLE
7	786174M91	1	Tube	(A) 12' TABLE
7	786175M91	1	Tube	(A) 14,16' TABLES
8	356612X1	1	Nut	(A)
9	353757X1	1	Washer	(A)
10	786223M1	1	Elbow	(A)
11	786244M91	1	Hose	(A)
12	358741X91	1	Union	(A)
13		1	Connector	(12) Not serviced, order 358741X91
14	831495M1	1	O Ring	(12)
20	786724M91	1	Coupling	(B) MALE Q.R.
21	831452M1	1	O Ring	(B)
22	356614X1	1	Nut Unf	(B)
23	786235M1	1	Elbow	(B)
24	786150M91	1	Tube	(B)
25	786236M1	1	Teepiece	(B)
26	786193M91	1	Tube	(B) Left Hand 10' TABLE
26	786194M91	1	Tube	(B) Left Hand 12' TABLE
26	786195M91	1	Tube	(B) Left Hand 14,16'TABLE
27	356612X1	1	Nut	(B)
28	353757X1	1	Washer	(B)
29	786223M1	1	Elbow	(B)
30	786237M91	1	Hose	(B)
31	358741X91	1	Union	(B)
32		1	Connector	(31) Not serviced, order 358741X91
33	831495M1	1	O Ring	(31)
34	195403M1	2	Clevis Pin	(B)
35	353758X1	2	Washer	(B)
36	354066X1	2	Pin	(B)
37	353760X1	2	Flat Washers	(B)
38	354059X1	2	Pin	(B)
44	786183M91	1	Tube	(B)
	786184M91	1	Tube	(B) Right Hand 12' TABLE
44	786185M91	1	Tube	(B) Right Hand 14' TABLE
44	786186M91	1	Tube	(B) Right Hand 16' TABLE
45	356612X1	1	Nut	(B)
46	353757X1	1	Washer	(B)
47	786223M1	1	Elbow	(B)
48	786237M91	1	Hose	(B)
49	358741X91	1	Union	(B)
50		1	Connector	(49) Not serviced, order 358741X91
51	831495M1	1	O Ring	(49)
56	786724M91	1	Coupling	(C) MALE Q.R.
57	831452M1	1	O Ring	(C)
58	356614X1	1	Nut Unf	(C)
59	786235M1	1	Elbow	(C)
60	786163M91	1	Tube	(C) Right Hand 10' TABLE
60	786164M91	1	Tube	(C)

HYDRAULIC FOR TABLE

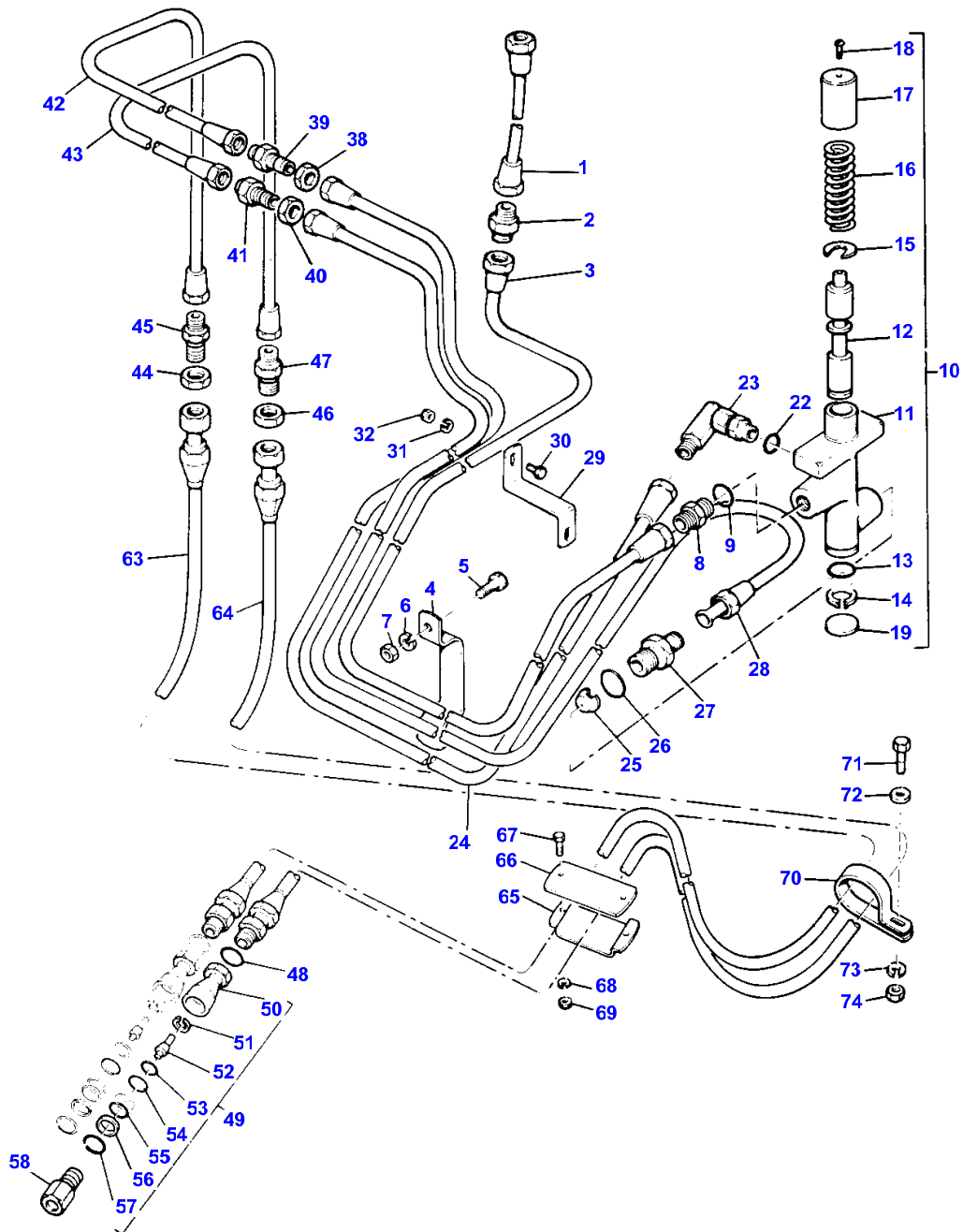
Item	Part Number	Qty	Description	Comments
60	786165M91	1	Tube	Right Hand 12' TABLE (C)
61	355830X1	1	Locknut	Right Hand 14' TABLE (C)
62	786222M1	1	Connector	(C)
63	786204M92	1	Tube	(C)
64	835091M91	1	Connector	(C)
65		1	Connector	(64) Not serviced, order 835091M91
66	831452M1	1	O Ring	(64)
72	835091M91	1	Connector	(C)
73		1	Connector	(72) Not serviced, order 835091M91
74	831452M1	1	O Ring	(72)
75	786204M92	1	Tube	(C) Right Hand
76	355830X1	1	Locknut	(C)
77	786224M1	1	Elbow	(C)
78	786227M91	1	Tube	(C)
78	786228M91	1	Tube	(C) 10' TABLE
78	786225M91	1	Tube	(C) 12' TABLE
78	786229M91	1	Tube	(C) 14' TABLE
80	355830X1	1	Locknut	(C) 16' TABLE
81	786202M92	1	Tube	(C) Left Hand
82	835091M91	1	Connector	(C)
83		1	Connector	(82) Not serviced, order 835091M91
90	832818M1	2	Pin	(C)
91	353758X1	2	Washer	(C)
92	354059X1	2	Pin	(C)
93	785856M1	2	Pin	(C)
94	195416M1	2	Pin	(C)
95	835091M91	1	Connector	(C)
96		1	Connector	(95) Not serviced, order 835091M91
97	831452M1	1	O Ring	(95)
98	786202M92	1	Tube	(C)
99	786222M1	1	Connector	(C)
100	355830X1	1	Locknut	(C)
102	786235M1	1	Elbow	(C)
103	356614X1	1	Nut Unf	(C)
104	831452M1	1	O Ring	(C)
105	786724M91	1	Coupling	(C) MALE Q.R.
				(A) REEL SPEED ARRANGEMENT
				(B) REEL LIFT ARRANGEMENT
				(C) REEL FORE AND AFT ARRANGEMENT

736

REEL LIFT AND REEL SPEED ARRANGEMENT  
 REVELAGE DE RABATTEUR ET VITESSES DE REVELAGE  
 HASPELAUSEBUNG UND DREHZAHNVERSTELLUNG  
 SOLLEVAMENTO ASPO E DISPOSITIVO VELOCITA ASPO  
 MOLINETE Y MANDO DEL MOLINETE

30813001

3-3081-001-B



**REEL LIFT AND REEL SPEED ARRANGEMENT**

Item	Part Number	Qty	Description	Comments
1	1855546M91	1	Tube	Up to Serial or Engine Number 6320
	1616819M91	1	Tube	From Serial or Engine Number 6320
2	356859X1	1	Union	Up to Serial or Engine Number 6320
3	1855548M91	1	Tube	Up to Serial or Engine Number 6320
4	784215M1	1	Clip	
5	353502X1	2	Screw Unf	
6	353441X1	2	Lock Washer	
7	353918X1	2	Nut Unf	
8	377080X1	1	Adaptor	Up to Serial or Engine Number 6320
9	826238M1	1	Seal	
10	788470M91	1	Valve	Up to Serial or Engine Number 6320
11		1	Body	(10) Not serviced, order 788 470 M91
12		1	Spool	(10) Not serviced, order 788 470 M91
13	196055M1	1	Ring	(10)
14	1886266M1	1	Circlip	(10)
15	1886268M1	1	Washer	(10)
16	1886270M1	1	Spring	(10)
17	1886269M1	1	Cap	(10)
18	354198X1	1	Screw Unc	(10)
19	1886265M1	1	Plug	(10)
22	826238M1	1	Seal	Up to Serial or Engine Number 6320
23	790966M91	1	Elbow	Up to Serial or Engine Number 6320
24	1855050M91	1	Tube	Up to Serial or Engine Number 6320
25	788444M2	1	Restrictor	
26	826238M1	1	Seal	Up to Serial or Engine Number 6320
27	377190X1	1	Adaptor	Up to Serial or Engine Number 6320
28	1855073M91	1	Tube	Up to Serial or Engine Number 6320
29	377341X1	1	Clip	Up to Serial or Engine Number 6320
30	353502X1	2	Screw Unf	
31	353441X1	2	Lock Washer	
32	353918X1	2	Nut Unf	
38	355830X1	1	Locknut	
39	356266X1	1	Union	
40	356612X1	1	Nut	Up to Serial or Engine Number 4078
41	356264X1	1	Union	Up to Serial or Engine Number 4078
42	783410M92	1	Tube	
43	783415M92	1	Pipe	Up to Serial or Engine Number 6320
44	355830X1	1	Locknut	
45	356266X1	1	Union	
46	356612X1	1	Nut	Up to Serial or Engine Number 6320
47	356264X1	1	Union	Up to Serial or Engine Number 6320
48	831452M1	1	O Ring	Up to Serial or Engine Number 6320 From Serial or Engine Number 7722
48	1852568M1	1	O Ring	From Serial or Engine Number 6320 Up to Serial or Engine Number 7722
49	786725M91	1	Coupling	Up to Serial or Engine Number 6320
	1026699M92	1	Body	From Serial or Engine Number 6320 Up to Serial or Engine Number 7722
49	3035047M1	1	Coupling	From Serial or Engine Number 7722
50		1	Body	(49) Not serviced, order 786 725 M91
51	1885033M1	1	Circlip	(49)
52		1	Valve	(49) (A)
53	831582M1	1	O Ring	(49) (A)
54	196055M1	1	Ring	(49) (A)
55	762026M1	2	O Ring	(49) (A)
56	1885034M1	1	Washer	(49) (A)
57		1	Ring	(49) Not serviced, order 786 725 M91
58	3049565M1	1	Adaptor	From Serial or Engine Number 7722
63	783520M91	1	Hose	Up to Serial or Engine Number 6320 From Serial or Engine Number 7722

**REEL LIFT AND REEL SPEED ARRANGEMENT**

<b>Item</b>	<b>Part Number</b>	<b>Qty</b>	<b>Description</b>	<b>Comments</b>
63	1616821M91	1	Hose	From Serial or Engine Number 6320
64	783519M91	1	Hose	Up to Serial or Engine Number 6320
65	786835M1	1	Clip	
66	786834M1	1	Plate	
67	353501X1	2	Screw Unf	
68	353441X1	2	Lock Washer	
69	353918X1	2	Nut Unf	
70	786836M1	2	Clip	
71	353502X1	2	Screw Unf	
72	355617X1	2	Washer	
73	353441X1	2	Lock Washer	
74	353918X1	2	Nut Unf	
75	1810309M91	1	Kit, Repair	(B)

(A)  
INCLUDED IN REPAIR KIT 1810 309 M91

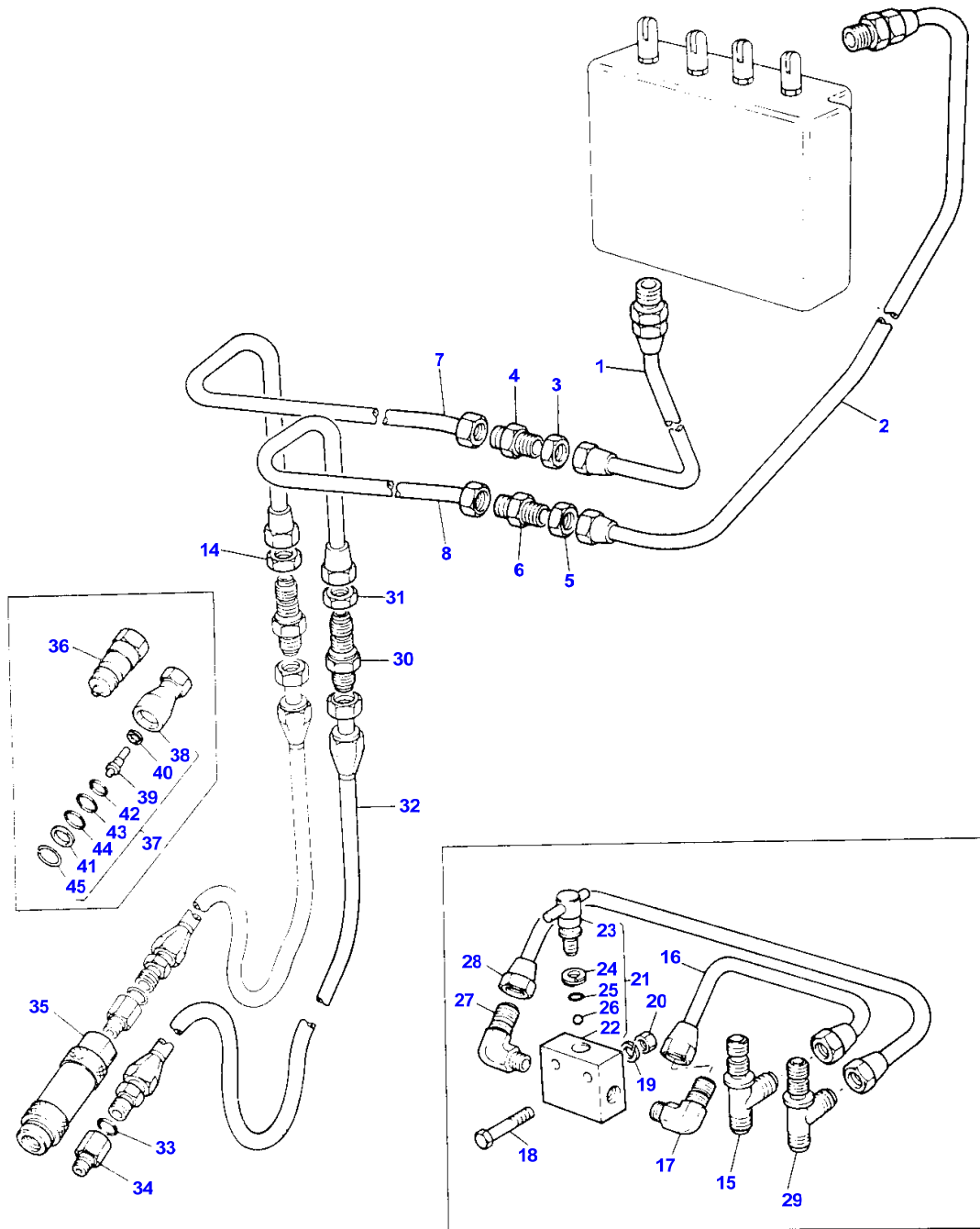
(B)  
CONTAINS ITEMS MARKED (A)

740

REEL FORE AND AFT ARRANGEMENT  
 REGLAGE AVANT ARRIERE DU RABATTEUR  
 HYDRAULIKANLAGE HASPEL VORN UND UNTEN  
 ASPO E DISPOSITIVO LONGITUDINALE  
 DISPOSITIVOS DELANTERO Y TRASERO DFL MOLINETE

21193001

3-2119-001-B





REEL FORE AND AFT ARRANGEMENT

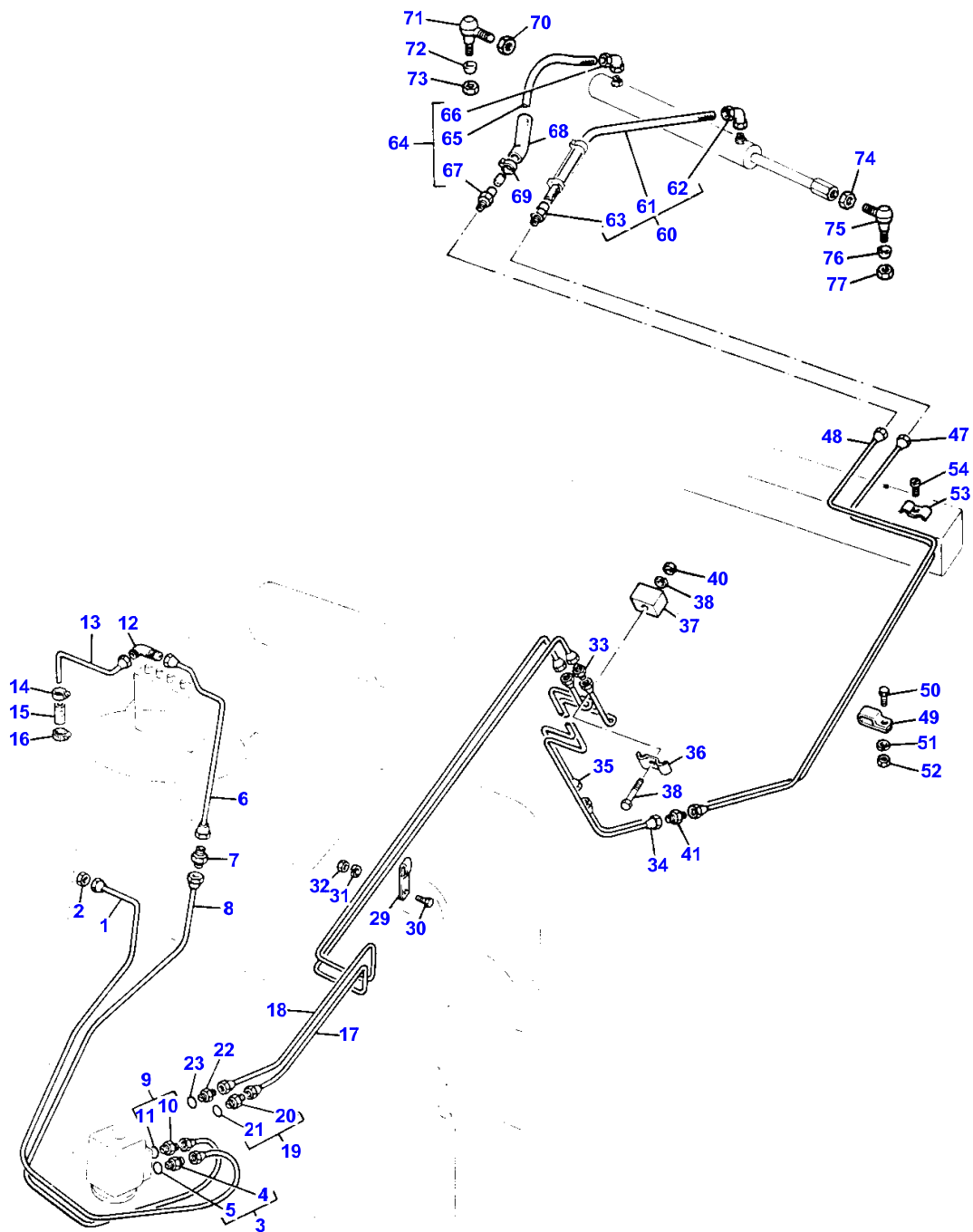
Item	Part Number	Qty	Description	Comments
1	1855086M91	1	Tube	
2	1855088M91	1	Tube	
3	355830X1	1	Locknut	
4	356266X1	1	Union	
5	355830X1	1	Locknut	
6	356266X1	1	Union	
7	783402M91	1	Tube	
8	783406M92	1	Tube	
14	355830X1	1	Locknut	
15	377270X1	1	Teepiece	Up to Serial or Engine Number 7722
16	783386M92	1	Tube	Up to Serial or Engine Number 7722
17	357197X91	1	Elbow	Up to Serial or Engine Number 7722
18	353509X1	2	Bolt Unf	Up to Serial or Engine Number 7722
19	353441X1	2	Lock Washer	Up to Serial or Engine Number 7722
20	353918X1	2	Nut Unf	Up to Serial or Engine Number 7722
21	787548M91	1	Valve	Up to Serial or Engine Number 7722
22		1	Body	(21) Not serviced, order 787 548 M91
23	1885807M91	1	Screw	(21)
24	1885808M1	1	Ring	(21)
25	1885809M1	1	Seal	(21)
26	354465X1	1	Ball	(21)
27	357197X91	1	Elbow	Up to Serial or Engine Number 7722
28	783372M92	1	Tube	Up to Serial or Engine Number 7722
29	377270X1	1	Teepiece	Up to Serial or Engine Number 7722
30	356266X1	2	Union	From Serial or Engine Number 7722
31	355803X1	1	Ring	
32	783520M91	2	Hose	
33	831452M1	2	O Ring	
34	3049565M1	2	Adaptor	From Serial or Engine Number 7722
35	3035047M1	2	Coupling	From Serial or Engine Number 7722
36	786724M91	1	Coupling	From Serial or Engine Number 6320 Up to Serial or Engine Number 7722
37	786725M91	1	Coupling	From Serial or Engine Number 6320 Up to Serial or Engine Number 7722
37	786725M91	2	Coupling	Up to Serial or Engine Number 6320
38		1	Coupling	(37) Not serviced, order 786 725 M91
39		1	Valve	(37) (A) Not serviced, order 1810 309 M91
40	1885033M1	1	Circlip	(37) (A)
41	1885034M1	1	Washer	(37) (A)
42	762026M1	2	O Ring	(37) (A)
43	196055M1	1	Ring	(37) (A)
44	831582M1	1	O Ring	(37) (A)
45		1	Ring	(37) (A)
46	1810309M91	X	Kit, Repair	(B) (A) CONTAINED IN KIT 1810 309 M91  (B) CONTAINS ITEMS MARKED (A)

742

POWER STEERING ARRANGEMENT  
 VERIN DE DIRECCION  
 HYDRAULIKANLAGE LENKHILFE  
 DISPOSITIVO STERZATURA  
 HIDRAULICA DE DIRECCION

30313001

3-3031-001-A



**POWER STEERING ARRANGEMENT**

Item	Part Number	Qty	Description	Comments
1	1855083M91	1	Tube	Without or not For Germany only or any text in German only Up to Serial or Engine Number 7108
1	617772M93	1	Tube	From Serial or Engine Number 7108
	617772M93	1	Tube	For Germany only or any text in German only
2	355830X1	1	Locknut	
3	360202X91	1	Connector	Without or not For Germany only or any text in German only Up to Serial or Engine Number 7108
4		1	Connector	(3) Not serviced, order 360 202 X91
5	1852568M1	1	O Ring	(3)
6	1855542M91	1	Tube	
7	356859X1	1	Union	
8	1855544M91	1	Tube	Without or not For Germany only or any text in German only Up to Serial or Engine Number 7108
8	617774M93	1	Tube	From Serial or Engine Number 7108
	617774M93	1	Tube	
9	360202X91	1	Connector	Without or not For Germany only or any text in German only Up to Serial or Engine Number 7108
10		1	Connector	(9) Not serviced, order 360 202 X91
11	1852568M1	1	O Ring	(9)
12	786224M1	1	Elbow	
13	783463M91	1	Tube	
14	375499X1	1	Hose Clip	
15	783665M1	1	Hose	
16	375499X1	1	Hose Clip	
17	783398M92	1	Tube	Without or not For Germany only or any text in German only Up to Serial or Engine Number 7108
17	617776M92	1	Tube	From Serial or Engine Number 7108
	617776M92	1	Tube	For Germany only or any text in German only
18	783398M92	1	Tube	Without or not For Germany only or any text in German only Up to Serial or Engine Number 7108
18	617776M92	1	Tube	From Serial or Engine Number 7108
	617776M92	1	Tube	For Germany only or any text in German only
19	360202X91	2	Connector	Without or not For Germany only or any text in German only Up to Serial or Engine Number 7108
20		1	Connector	(19) Not serviced, order 360 202 X91
21	1852568M1	1	O Ring	(19)
22	658112M1	4	Connector	From Serial or Engine Number 7108
	658112M1	4	Connector	For Germany only or any text in German only
23	1441082X1	4	Ring	From Serial or Engine Number 7108
	1441082X1	4	Ring	For Germany only or any text in German only
29	377324X1	2	Clip	
30	353517X1	2	Screw Unf	
31	353446X1	2	Lock Washer	
32	353916X1	2	Nut Unf	
33	356859X1	2	Union	
34	1855053M91	1	Tube	
35	1855057M91	1	Tube	
36	216908M1	1	Clamp	
37	230787M1	1	Strip	
38	353507X1	1	Bolt Unf	
39	353441X1	1	Lock Washer	
40	353918X1	1	Nut Unf	
41	356859X1	2	Union	
47	1855103M91	1	Tube	
48	1855101M91	1	Tube	
49	832303M1	1	Clip	
50	353515X1	2	Screw Unf	
51	353446X1	2	Lock Washer	
52	353916X1	2	Nut Unf	
53	216908M1	1	Clamp	

POWER STEERING ARRANGEMENT

Item	Part Number	Qty	Description	Comments
54	360375X1	1	Screw	
60	1855568M91	1	Hose	(A)
61		1	Hose	(60) (B) 28"-711MM
62	895378M1	1	Elbow	(60)
63	895379M1	1	Union	(60)
64	1855567M91	1	Hose	(A)
65		1	Hose	(64) (B) 20"-508MM
66	895378M1	1	Elbow	(64)
67	895379M1	1	Union	(64)
68	1855731M2	2	Hose	
69	375499X1	4	Hose Clip	
70	377203X1	1	Nut Unf	
71	884701M92	1	End	
72	890124M2	1	Seal	
73	376267X1	1	Nut Unf	
74	377203X1	1	Nut Unf	
75	884701M92	1	End	
76	890124M2	1	Seal	
77	376267X1	1	Nut Unf	

(A)  
NO LONGER SERVICED ORDER DETAILS

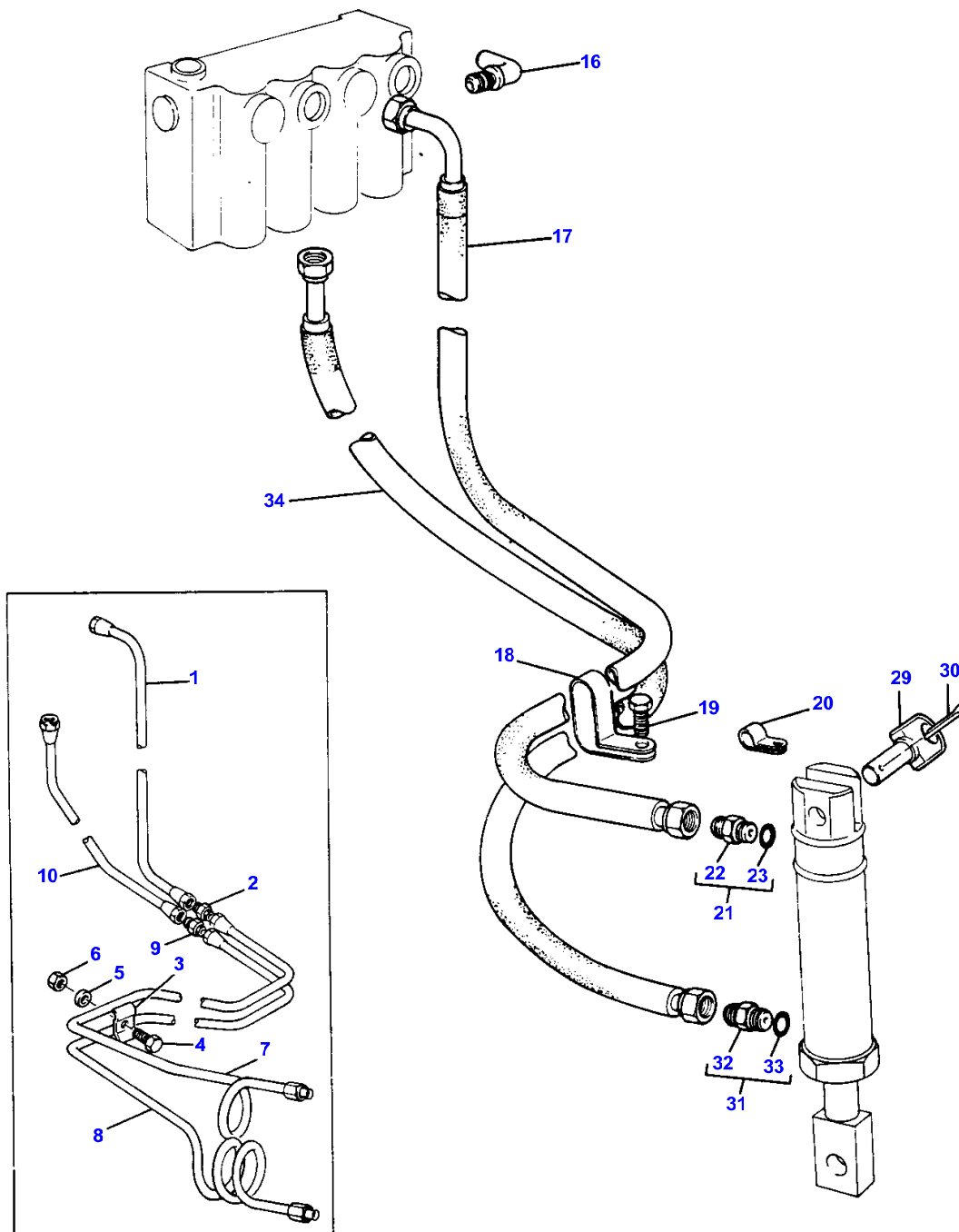
(B)  
CUT FROM 30M LENGTH 1888 629 M1

746

TRACTION RAM ARRANGEMENT  
 VERIN DE VARIATEUR D'AVANCEMENT  
 HYDRAULIKANLAGE FAHVERSTEUERUNG  
 DISPOSITIVO CILINDRO TRAZIONE  
 CONTROL HIDRAULICO DEL CILINDRO DE LA TRACCION

31173001

3-3117-001-A



TRACTION RAM ARRANGEMENT

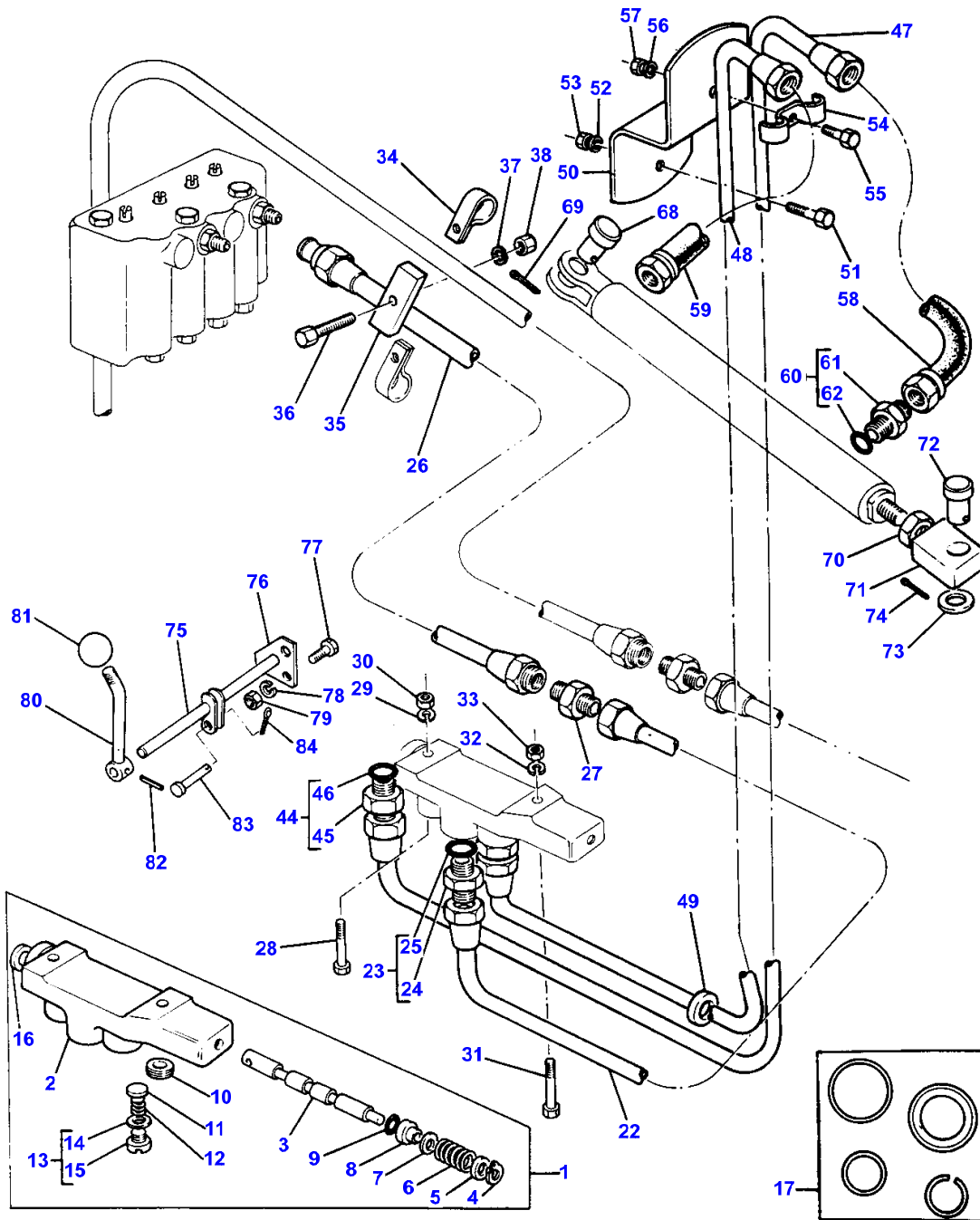
Item	Part Number	Qty	Description	Comments
1	783384M92	1	Tube	Up to Serial or Engine Number 1635
2	356857X1	1	Union	Up to Serial or Engine Number 1635
3	786814M1	1	Clip	Up to Serial or Engine Number 1635
4	353501X1	1	Screw Unf	Up to Serial or Engine Number 1635
5	353441X1	1	Lock Washer	Up to Serial or Engine Number 1635
6	353918X1	1	Nut Unf	Up to Serial or Engine Number 1635
7	783388M91	1	Tube	Up to Serial or Engine Number 1635
8	783390M91	1	Tube	Up to Serial or Engine Number 1635
9	356857X1	1	Union	Up to Serial or Engine Number 1635
10	783382M92	1	Tube	Up to Serial or Engine Number 1635
16	786224M1	1	Elbow	
17	914902M91	1	Hose	From Serial or Engine Number 1636
18	787100M1	1	Clip	From Serial or Engine Number 1636
19	353517X1	1	Screw Unf	From Serial or Engine Number 1636
20	360049X1	1	Clamp	From Serial or Engine Number 1636
21	358741X91	1	Union	
22		1	Connector	(21) Not serviced, order 358 741 X91
23	831495M1	1	O Ring	(21)
29	230839M1	1	Pin	
30	354059X1	1	Pin	
31	358741X91	1	Union	
32		1	Connector	Not serviced, order 358 741 X91
33	831495M1	1	O Ring	
34	914901M91	1	Hose	From Serial or Engine Number 1636

748

UNLOADER SPOUT ARRANGEMENTS  
 VERIN GOULOTTE DE DECHARGE  
 AUSLAUFSCHACHT  
 KIT SCARICA SERBATOIO  
 CONJUNTO DESCARGA TANQUE

26353001

3-2635-001-A



**MASSEY FERGUSON  
MF 520/525 COMBINES - 819611**

819611

748

**UNLOADER SPOUT ARRANGEMENTS**

Item	Part Number	Qty	Description	Comments
1	796927M92	1	Valve	
2		1	Body	(1) Not serviced, order 796927M92
3		1	Spool	(1) Not serviced, order 796927M92
4		1	Circlip	(1) (A) Not serviced, order 1810026M91
5	1020729M1	1	Washer	(1)
6	1020311M1	1	Spring	(1)
7	1024130M1	1	Washer	(1)
8	1020731M1	1	Washer	(1)
9	851258M1	1	O Ring	(1) (A)
10	1031406M1	2	Plate	(1)
11	1020313M1	1	Plunger	(1)
12	1020314M1	1	Spring	(1)
13	1020732M91	1	Plug	(1)
14		1	Plug	(13) Not serviced, order 1020732M91
15	1000557M1	1	Gasket	(13) (A)
16	364568X1	1	Seal	(1) (A)
17	1810026M91	X	Parts Pack	
22	783364M94	1	Tube	
23	358743X91	1	Union	
24		1	Connector	(23) Not serviced, order 358 743 X91
25	1852568M1	1	O Ring	(23)
26	783366M92	1	Tube	
27	356860X1	1	Union	
28	353527X1	1	Screw	
29	353446X1	1	Lock Washer	
30	353916X1	1	Nut Unf	
31	353529X1	1	Bolt Unf	
32	353446X1	1	Lock Washer	
33	353916X1	1	Nut Unf	
34	950302M1	2	Clip	
35	216909M2	1	Strip	
36	353519X1	1	Screw Unf	
37	353446X1	1	Lock Washer	
38	353916X1	1	Nut Unf	
44	1886874M91	2	Connector	
45		1	Connector	(44) Not serviced, order 1886 874 M91
46	1852568M1	1	O Ring	(44)
47	783374M91	1	Tube	
48	783376M91	1	Tube	
49	210280M1	2	Grommet	
50	783668M1	1	Bracket	
51	353516X1	1	Screw Unf	
52	353446X1	1	Lock Washer	
53	353916X1	1	Nut Unf	
54	786814M1	1	Clip	
55	353502X1	1	Screw Unf	
56	353441X1	1	Lock Washer	
57	353918X1	1	Nut Unf	
58	787935M1	1	Hose	
59	787936M1	1	Hose	
60	358741X91	2	Union	
61		1	Connector	(60) Not serviced, order 358 741 X91
62	831495M1	1	O Ring	(60)
68	354192X1	1	Pin	
69	354059X1	1	Pin	
70	353438X1	1	Nut Unf	
71	226846M1	1	Swivel	
72	354192X1	1	Pin	
73	353774X1	1	Washer	



**MASSEY FERGUSON****MF 520/525 COMBINES - 819611****819611****UNLOADER SPOUT ARRANGEMENTS****748**

<b>Item</b>	<b>Part Number</b>	<b>Qty</b>	<b>Description</b>	<b>Comments</b>
74	354059X1	1	Pin	
75	782990M91	1	Shaft	
76	782994M1	1	Plate	
77	353516X1	2	Screw Unf	
78	353446X1	2	Lock Washer	
79	353916X1	2	Nut Unf	
80	782993M92	1	Arm	
81	787090M1	1	Knob	
82	15360X	1	Pin	
83	364154X1	1	Pin	
84	354039X1	1	Cotter	

(A)

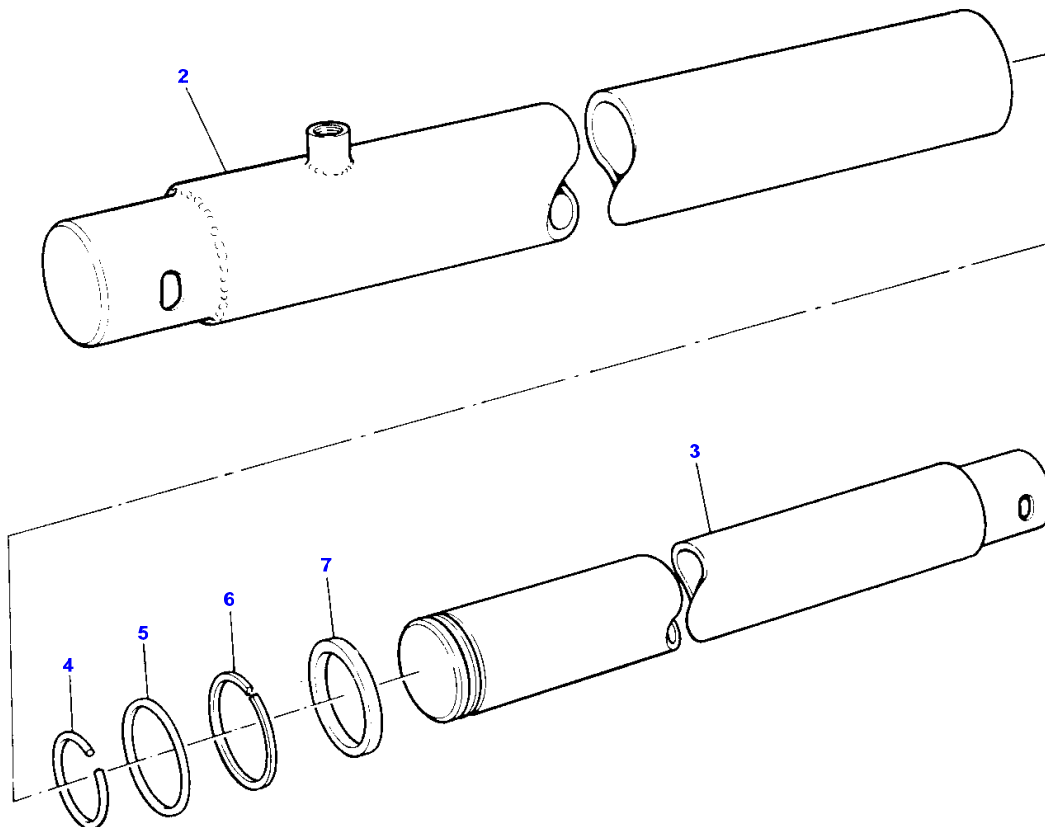
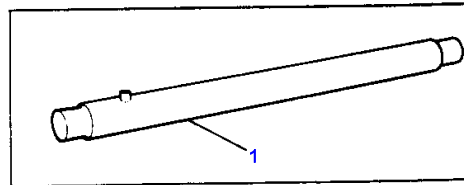
INCLUDED IN SEAL REPAIR KIT 1810026M91

752

RAM FOR TABLE LIFT  
VERIN RELEVAGE DE TABLE  
HYDRAULIKZYLINDER FUER TISCHAUSHEBUNG  
CILINDRO PER SOLLEVAMENTO TAVOLA  
CILINDRO ELEVADOR PLATAFORMA

31253001

3-3125-001-A



PRINTED IN U.K.

520 525

819611-H (1)

RAM FOR TABLE LIFT

Item	Part Number	Qty	Description	Comments
1	785949M91	1	Ram	(A) Left Hand
1	785950M91	1	Ram	(B) Right Hand
2	1884846M91	1	Barrel	(1)
	1884847M91	1	Barrel	(1) Right Hand
3	1884848M1	1	Rod	(1)
4	1020302M1	1	Ring	(1)
5	852140M1	1	Ring	(1)
6	1025564M1	1	Washer	(1)
7	1885581M1	1	Seal	(1)

(A)  
NO LONGER SERVICED ORDER 1605 131 M91

(B)  
NO LONGER SERVICED ORDER 1605 132 M91

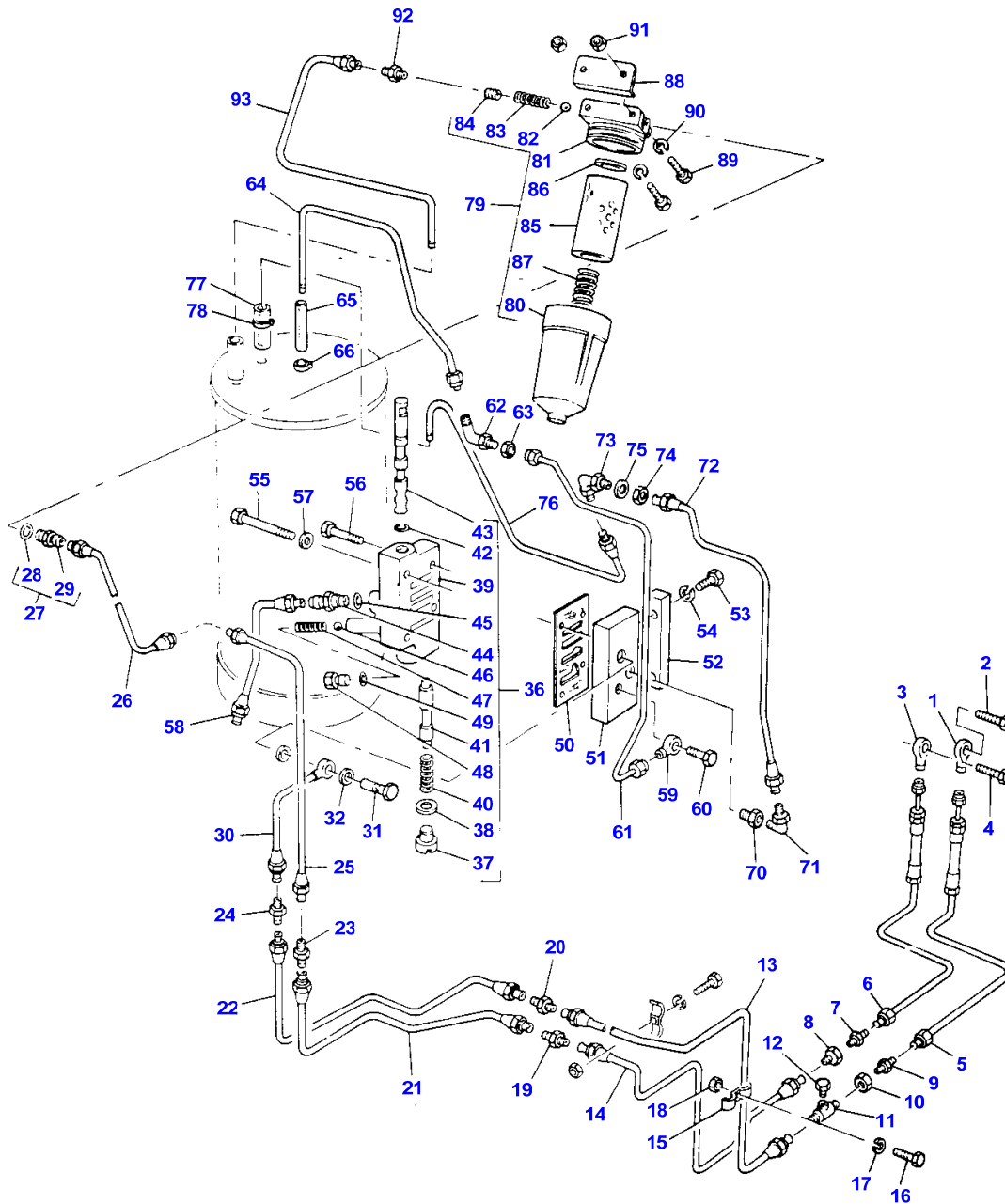
754

HYDRAULICS  
 HYDRAULIQUE  
 HYDRAULISCHE ANLAGE  
 IDRAULICI  
 HIDRAULICOS

TABLE CLUTCH  
 COMMANDE DE TABLE  
 TISCHKUPPLUNG  
 FRIZIONE SOLLEVAMENTO TAVOLA  
 EMBRAGE DE PLATAFORMA

30663001

3-3066-001-A



PRINTED IN U.K.

520 525

819611-H (1)

HYDRAULICS-TABLE CLUTCH

Item	Part Number	Qty	Description	Comments
1	338788X1	1	Body	
2	338789X1	1	Bolt	
3	338798X1	1	Body	
4	338799X1	1	Banjo Bolt	
5	1616735M91	1	Tube	
6	1616737M91	1	Tube	
7	338953X1	1	Adaptor	
8	356859X1	1	Union	
9	356625X1	1	Adaptor	
10	356465X1	1	Nut	
11	355829X1	1	Teepiece	
12	356579X1	1	Cap	
13	1616733M91	1	Tube	
14	1616739M91	1	Tube	
15	216908M1	2	Clamp	
16	353501X1	2	Screw Unf	
17	353441X1	2	Lock Washer	
18	353918X1	2	Nut Unf	
19	356859X1	1	Union	
20	356859X1	1	Union	
21	1616727M92	1	Tube	
22	1616729M91	1	Tube	
23	356859X1	1	Union	
24	356859X1	1	Union	
25	1616741M92	1	Tube	
26	1616743M91	1	Tube	
27	835091M91	1	Connector	
28	831452M1	1	O Ring	(27)
29		1	Connector	(27) Not serviced, order 835 091 M91
30	1616731M91	1	Tube	
31	1616756M1	1	Banjo Bolt	
32	377535X1	2	Washer	
36	1616849M92	1	Valve	
37	186808M2	1	Plug	(36)
38	186570M1	1	Seal	(36)
39	521129M1	1	Body	(36)
40	512784M1	1	Spring	(36)
41	1862286M2	1	Spool	(36)
42	832207M1	1	Seal	(36)
43	1616848M1	1	Spool	(36)
44	835091M91	1	Connector	(36)
45	831452M1	1	O Ring	(44)
46	354465X1	1	Ball	(36)
47	521130M1	1	Spring	(36)
48	358720X91	1	Plug	(36)
49	831493M1	1	O Ring	(48)
50	512787M2	1	Gasket	
51	909257M1	1	Plate	
52	1616757M1	1	Shim	
53	353540X1	2	Screw Unf	
54	353434X1	2	Lock Washer	
55	357822X1	2	Screw Unc	
56	357819X1	2	Screw Unc	
57	186568M1	1	Washer	
58	1616725M91	1	Tube	
59	338788X1	1	Body	
60	338789X1	1	Bolt	
61	1616762M91	1	Tube	
62	3000491X1	1	Elbow	
63	3000492X1	1	Nut	
64	1616763M91	1	Tube	
65	1616759M1	1	Hydr Hose	
66	376829X1	2	Clip	
70	338682X1	1	Adaptor	
71	356375X1	1	Elbow	
72	1616851M92	1	Tube	
73	786224M1	1	Elbow	
74	355830X1	1	Locknut	
75	353759X1	1	Washer	

HYDRAULICS-TABLE CLUTCH

Item	Part Number	Qty	Description	Comments
76	1616853M92	1	Tube	
77	783665M1	1	Hose	
78	375449X1	2	Clip	
79	1867882M91	1	Filter	
80	1888750M1	1	Shell	(79)
81	1888751M91	1	Head	(79)
82	1888752M1	1	Ball	(81)
83	1888753M1	1	Spring	(81)
84	1888754M1	1	Screw	(81)
85	1810539M91	1	Kit	(79)
86	1888755M1	1	Seal	(85)
87	1888756M1	1	Spring	(85)
88	1616754M1	1	Plate	
89	338178X1	2	Screw Unf	
90	353434X1	2	Lock Washer	
91	353431X1	2	Nut Unf	
92	835091M91	2	Connector	
93	1616745M91	1	Tube	

758

RAM FOR REEL LIFT

VERIN RELEVAGE RABATTEUR

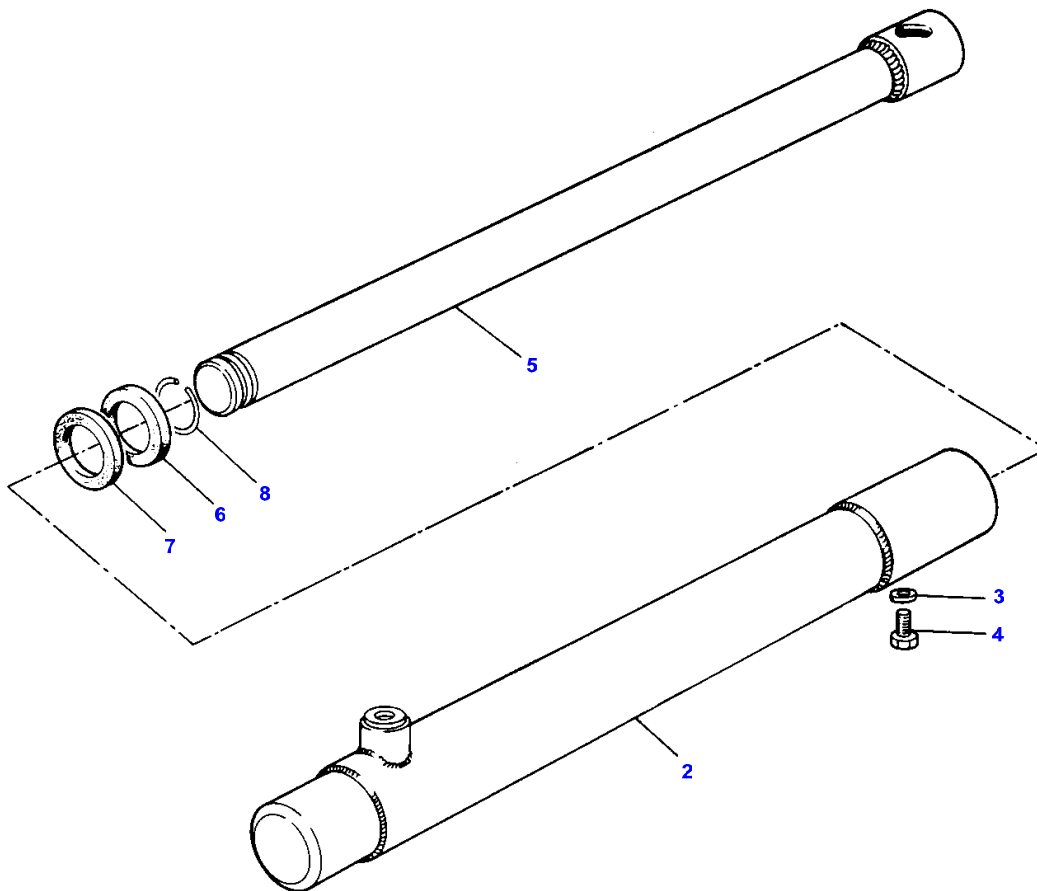
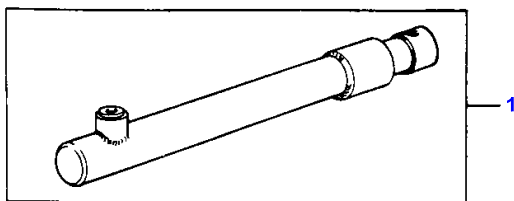
HYDRAULIKZYLINDER FUER HASPELAUSHEBUNG

CILINDRO PER SOLLEVAMENTO ASPO

CILINDRO ELEVADOR MOLINETE

31403001

3-3140-001-A



PRINTED IN U.K.

520 525

819611-H (1)

**RAM FOR REEL LIFT**

<b>Item</b>	<b>Part Number</b>	<b>Qty</b>	<b>Description</b>	<b>Comments</b>
1	785946M91	2	Ram	(A)
2	1884802M1	1	Barrel	(1)
3	1020298M1	1	Washer	(1)
4	1020727M1	1	Screw	(1)
5	1884803M1	1	Rod	(1)
6	195908M1	1	Seal	(1)
7	1884856M1	1	Seal	(1)
8	1020299M1	1	Ring	(1)

(A)  
NO LONGER SERVICED ORDER 1748 120 M93



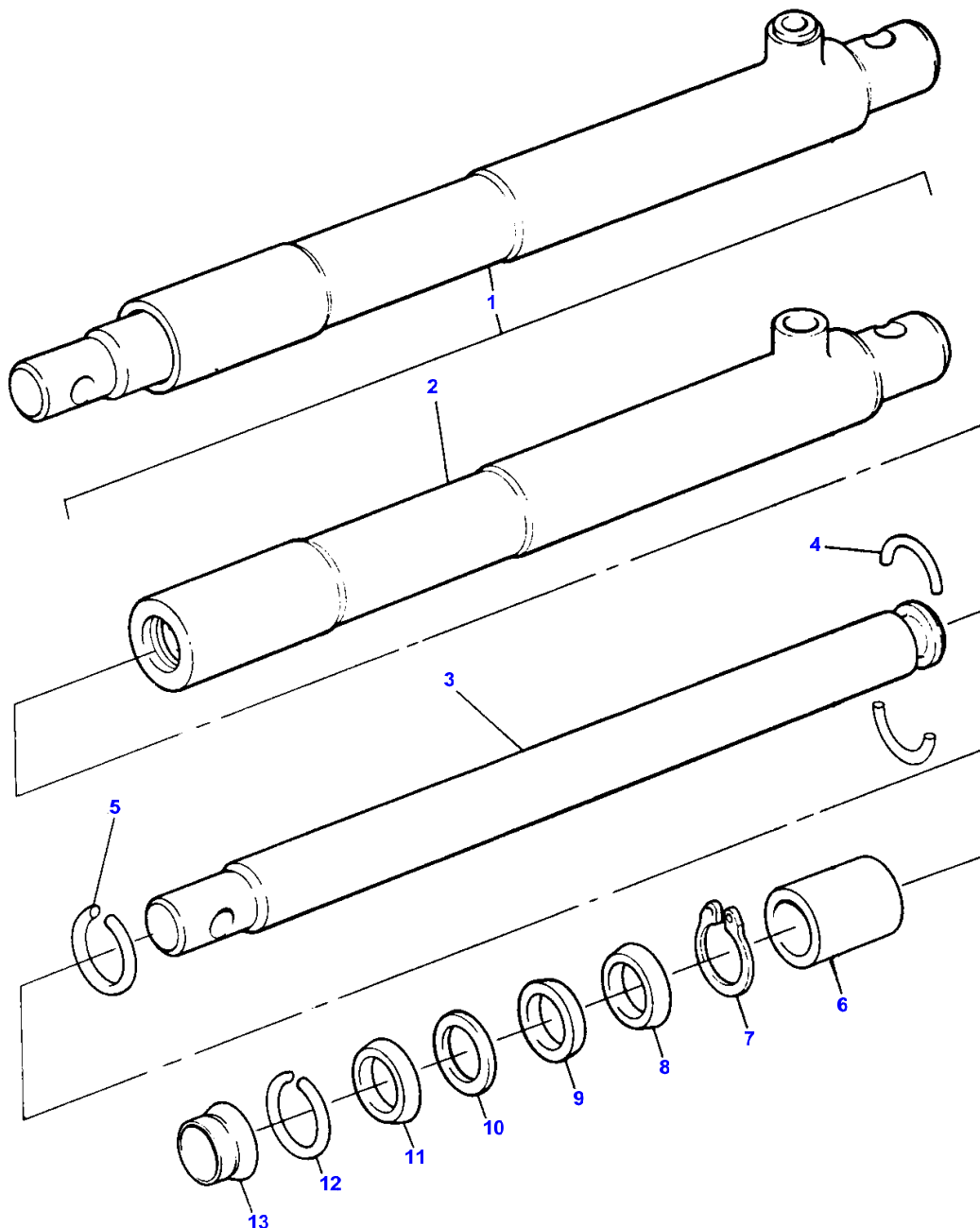
760

RAM FOR REEL LIFT  
 VERIN DE RELEVAGE DE RABATTEUR  
 HYDRAULIKZYLINDER  
 CILINDRO PER SOLLEVAMENTO ASPO  
 CILINDRO DEL MOLINETE

SINGLE ACTION  
 SIMPLE EFFET  
 HASPELVERSTELLUNG  
 SEMPLICE EFFETO  
 SIMPLE ACCION

31413001

3-3141-001-A



PRINTED IN U.K.

520 525

819611-H (1)

RAM FOR REEL LIFT SINGLE ACTION - 1"-25MM DIAMETER

Item	Part Number	Qty	Description	Comments
				1"-25MM DIAMETER
1	1748120M92	1	Cylinder	(A)
	1748120M93	1	Cylinder	Alternative 785 946 M91
2		1	Barrel	(1) Not serviced, order 1748 120 M93
3		1	Piston Rod	(1) Not serviced, order 1748 120 M93
4		2	Ring	(1) Not serviced, order 1748 120 M93
5		1	Ring	(1) Not serviced, order 1748 120 M93
6	1748118M1	1	Bush	(1)
7	1441827X1	1	Ring	(1)
8	1441846X1	1	Seal	(1)
9	1748030M1	1	Ring	(1) (B)
10	1748031M1	1	Ring	(1)
11	1748319M1	1	Ring	(1)
12	1748318M1	1	Ring	(1)
13	1441847X1	1	Seal	(1) (B)
13	1749616M1	1	Seal	(1) (C)

(A)  
NO LONGER SERVICED ORDER 1748 120 M93

(B)  
USE ONLY WITH 1748 120 M92

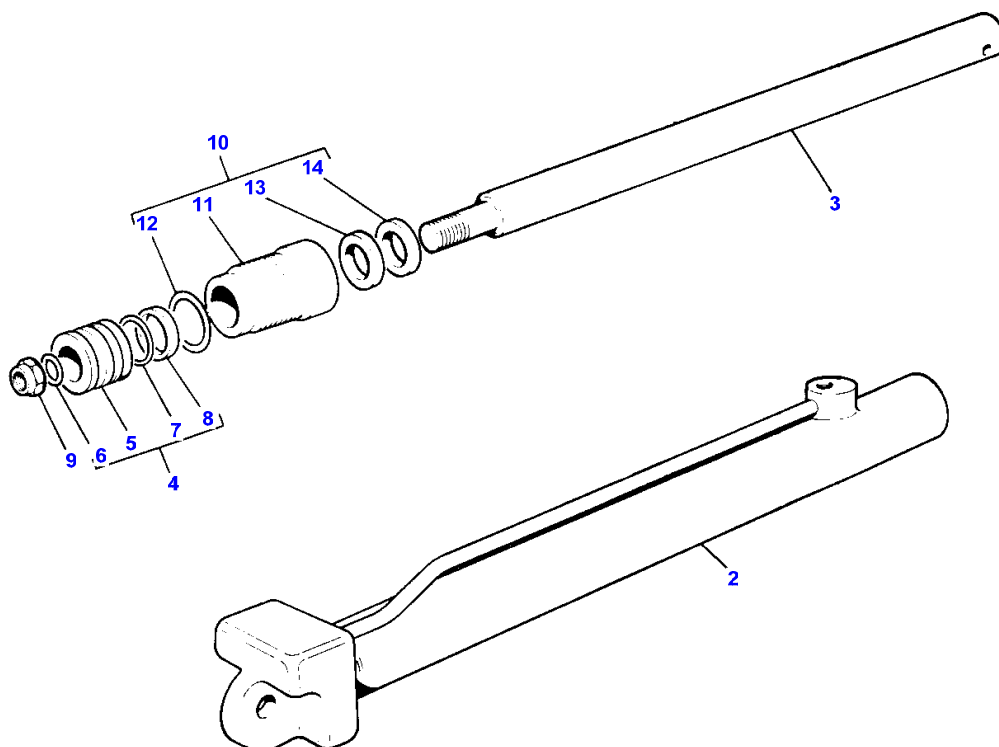
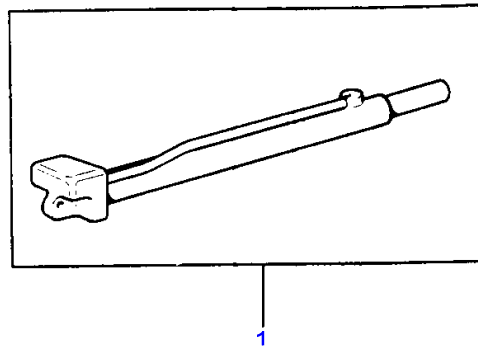
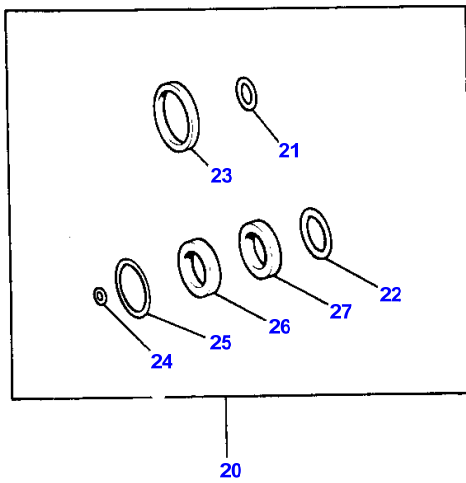
(C)  
USE ONLY WITH 1748 120 M93

762

RAM FOR REEL FORE AND AFT ARRANGEMENT  
 VERIN POUR REGLAGE AV AR RABATTEUR  
 HYDRAULIKZYLINDER FUER HASPELVERSCHIEBUNG  
 ARRANGIAMENTO PER CILINDRO SOLLEVAMENTO ASPO  
 ARIETE AJUSTADOR DEL MOLINETE DELANTE Y ATRAS

31453001

3-3145-001-A



PRINTED IN U.K.

520 525

819611-H (1)

**MASSEY FERGUSON  
MF 520/525 COMBINES - 819611**

819611

762

**RAM FOR REEL FORE AND AFT ARRANGEMENT**

Item	Part Number	Qty	Description	Comments
1	785947M91	1	Ram	(A) Left Hand
1	785948M91	1	Ram	(B) Right Hand
2	1884779M1	1	Barrel	(1) Left Hand
2	1884780M1	1	Barrel	(1) Right Hand
3	1884789M1	1	Rod	(1) Left Hand
3	1884790M1	1	Rod	(1) Right Hand
4	1884785M91	1	Head	(1) Left Hand
4	1884786M91	1	Head	(1) Right Hand
5		1	Piston Head	(4) Not serviced, order 1884 785 M91 /1884 786 M91
6	1850747M2	1	O Ring	(4) Left Hand
6	363704X1	1	Ring	(4) Right Hand
7	1884791M1	1	Ring	(4) Left Hand
7	1884792M1	1	Ring	(4) Right Hand
8	1884793M1	1	Ring	(4) Left Hand
8	1884794M1	1	Ring	(4) Right Hand
9	1884781M1	1	Nut	(1) Left Hand
9	1021983M1	1	Nut	(1) Right Hand
10	1884787M91	1	Bearing	(1) Left Hand
10	1884788M91	1	Bearing	(1) Right Hand
11		1	Bearing	(10) Not serviced, order 1884 787 M91 /1884 788 M91
12	1884795M1	1	Ring	(10) Left Hand
12	1881636M1	1	Seal	(10) Right Hand
13	1884796M1	1	Seal	(10) Left Hand
13	1884797M1	1	Seal	(10) Right Hand
14	1884798M1	1	Seal	(10) Left Hand
14	1884799M1	1	Seal	(10) Right Hand
20	1810092M91	X	Kit, Repair	Left Hand
	1810093M91	X	Kit, Repair	Right Hand
21	1850747M2	1	O Ring	(20) Left Hand
21	363704X1	1	Ring	(20) Right Hand
22	1884791M1	1	Ring	(20) Left Hand
23	1884793M1	1	Ring	(20) Left Hand
24	1006240M1	1	Ring	(20)
25	1884795M1	1	Ring	(20) Left Hand
25	1881636M1	1	Seal	(20) Right Hand
26	1884796M1	1	Seal	(20)

**MASSEY FERGUSON  
MF 520/525 COMBINES - 819611**

**819611**

**762**

**RAM FOR REEL FORE AND AFT ARRANGEMENT**

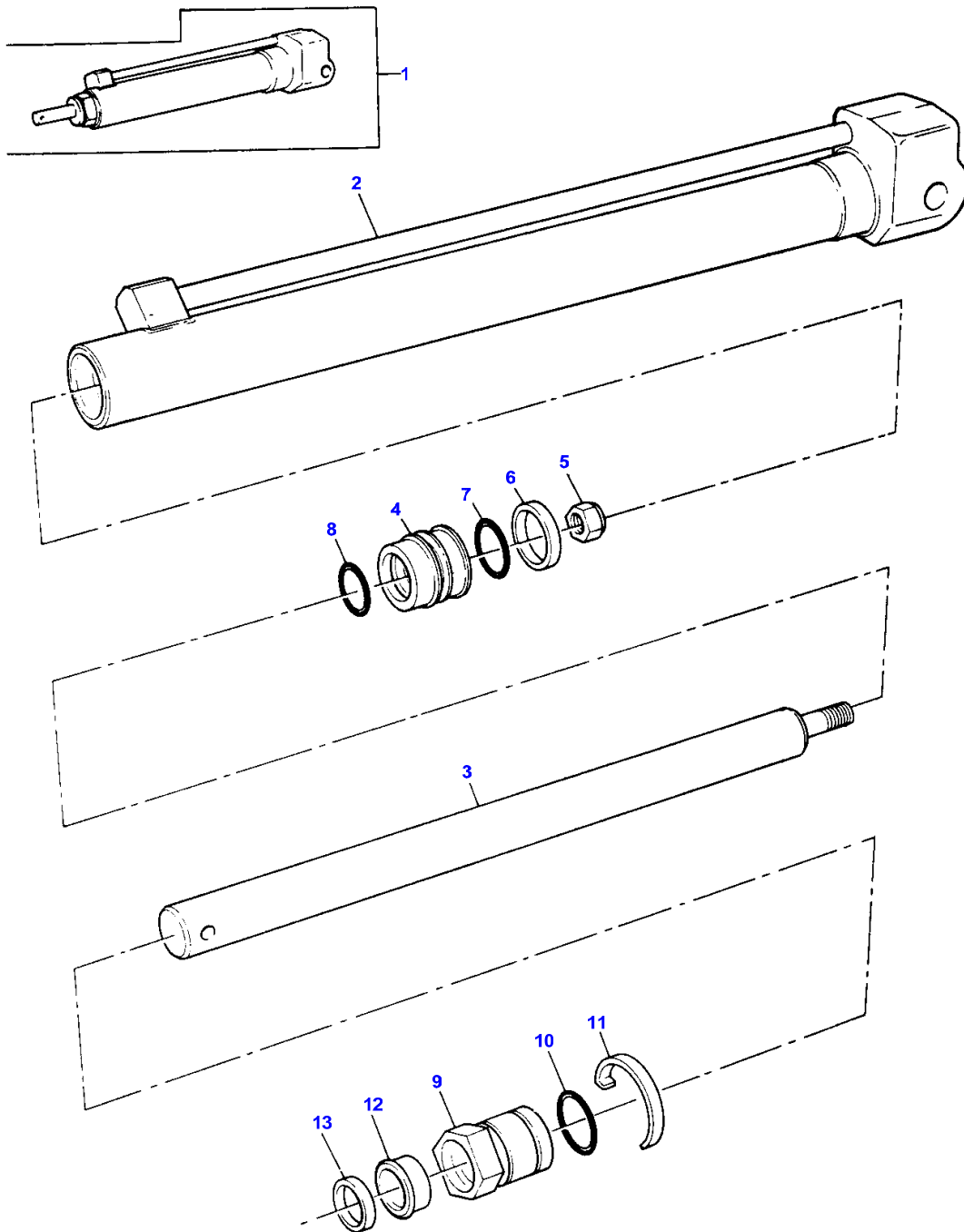
Item	Part Number	Qty	Description	Comments
26	1884797M1	1	Seal	Left Hand (20) Right Hand (20)
27	1884798M1	1	Seal	Left Hand (20)
27	1884799M1	1	Seal	Right Hand (20)
				(A) NO LONGER SERVICED,ORDER 1748 381 M91
				(B) NO LONGER SERVICED,ORDER 1748 382 M91

764

RAM FOR REEL FORE AND AFT ARRANGEMENT  
 VERIN POUR REGLAGE AV AR RABATTEUR  
 HYDRAULIKZYLINDER FUER HASPELVERSCHIEBUNG  
 ARRANGIAMENTO PER CILINDRO SOLLEVAMENTO ASPO  
 ARIETE AJUSTADOR DEL MOLINETE DELANTE Y ATRAS

31453002

3-3145-002-A



PRINTED IN U.K.

520 525

819611-H (1)

**MASSEY FERGUSON  
MF 520/525 COMBINES - 819611**

819611

764

**RAM FOR REEL FORE AND AFT ARRANGEMENT**

Item	Part Number	Qty	Description	Comments
1	1748381M91	1	Ram	Left Hand Alternative 785 947 M91
1	1748382M91	1	Ram	Right Hand Alternative 785 948 M91
2	1607109M91	1	Barrel	(1) Left Hand
2	1607133M91	1	Barrel	(1) Right Hand
3	1607107M1	1	Rod	(1) Left Hand
3	1607131M1	1	Rod	(1) Right Hand
4	1607110M1	1	Piston	(1) Left Hand
4	1607134M1	1	Piston	(1) Right Hand
5	1442439X1	1	Nut	(1) Left Hand
5	1441502X1	1	Nut Metric	(1) Right Hand
6	1606801M1	1	Ring	(1) (A) Left Hand
6	1606975M1	1	Ring	(1) (B) Right Hand
7	367178X1	1	Ring	(1) (A) Left Hand
7	831582M1	1	O Ring	(1) (B) Right Hand
8	831582M1	1	O Ring	(1) (A) Left Hand
8	831520M1	1	O Ring	(1) (B) Right Hand
9	1607108M1	1	Bearing	(1) Left Hand
9	1607132M1	1	Bearing	(1) Right Hand
10	1748324M1	1	Ring	(1) (A) Left Hand
10	1881636M1	1	Seal	(1) (B) Right Hand
11	1748009M1	1	Wire	(1) Left Hand
11	1607142M1	1	Ring	(1) Right Hand
12	1748236M1	1	Seal	(1) (A) Left Hand
12	1034007M1	1	Seal	(1) (B) Right Hand
13	1442082X1	1	Seal	(1) (A) Left Hand
13	1441781X1	1	Seal	(1) (B) Right Hand
14	1607119M91	X	Kit, Seal	(1) (C)
14	1607135M91	X	Kit, Seal	(1) (D) (A)

**MASSEY FERGUSON**  
**MF 520/525 COMBINES - 819611**

**819611**

**RAM FOR REEL FORE AND AFT ARRANGEMENT**

**764**

Item	Part Number	Qty	Description	Comments
				CONTAINED IN KIT 1607 119 M91
				(B) CONTAINED IN KIT 1607 135 M91
				(C) CONTAINS ITEMS MARKED (A)
				(D) CONTAINS ITEMS MARKED (B)

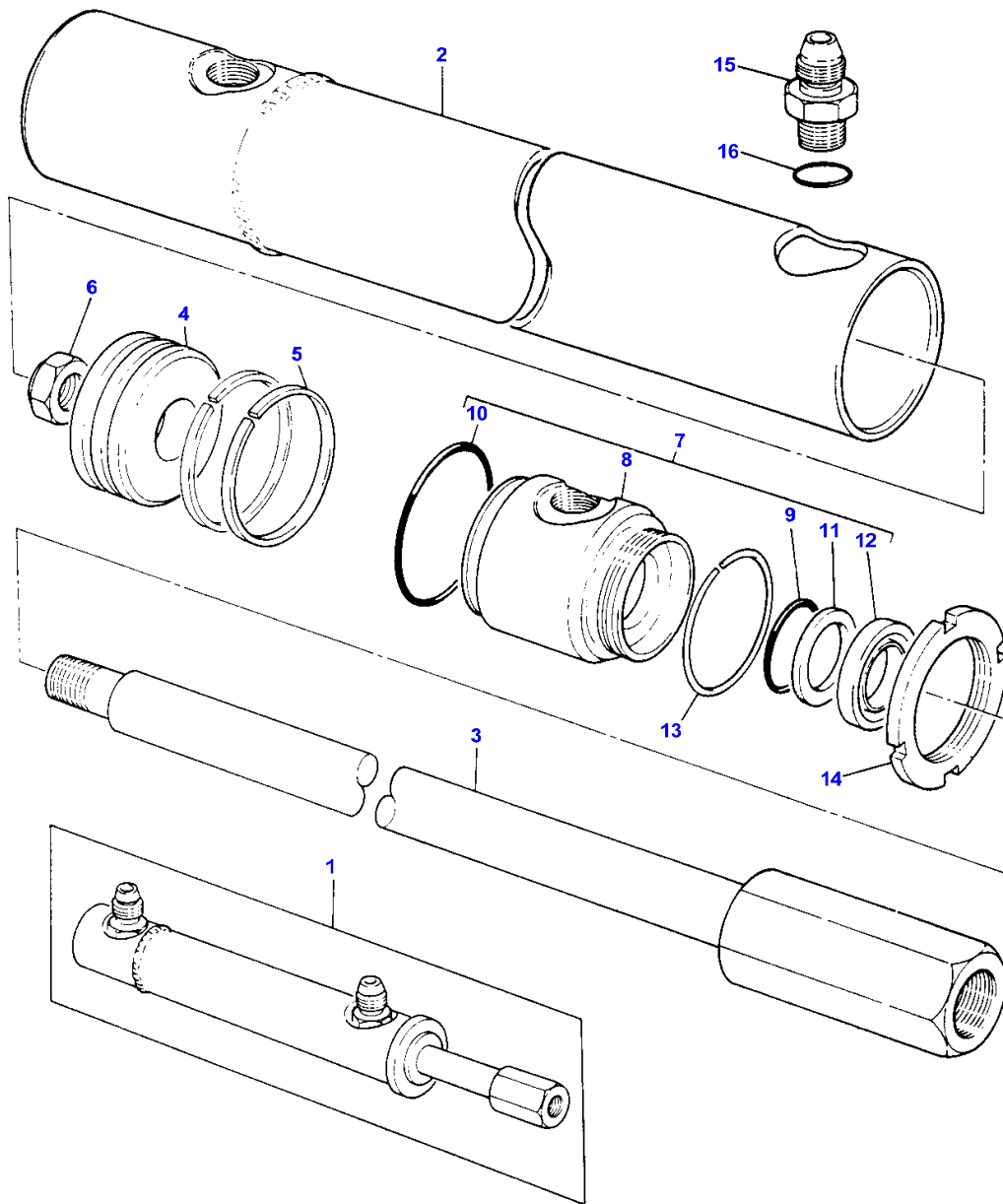


766

RAM FOR STEERING  
 VERIN DIRECTION  
 LENKZYLINDER  
 CILINDRO PER STERZO  
 CILINDRO DIRECCION

31203001

3-3120-001-A



RAM FOR STEERING

Item	Part Number	Qty	Description	Comments
1	784197M91	1	Ram	Alternative 1615 835 M91
2	1886242M91	1	Barrel	(1)
3	1886241M91	1	Rod	(1)
4	1887388M1	1	Head	(1)
5	1020791M1	2	Ring	(1) (A)
6	353437X1	1	Nut Unf	(1)
7	1887118M91	1	Bearing	(1)
8		1	Bearing	(7) Not serviced, order 1887 118 M91
9	1004637M1	1	O Ring	(7) (A)
10	1887524M1	1	Ring	(7) (A)
11	1887525M1	1	Washer	(7) (A)
12	1886536M1	1	Seal	(7) (A)
13	1882875M1	1	Ring	(1) (A)
14	1887029M1	1	Nut	(1)
15	1887389M1	2	Adaptor	(1)
16	831452M1	1	O Ring	(1)
17	1810478M91	X	Kit	(B)

(A)  
CONTAINED IN KIT 1810 478 M91

(B)  
CONTAINS ITEMS MARKED (A)

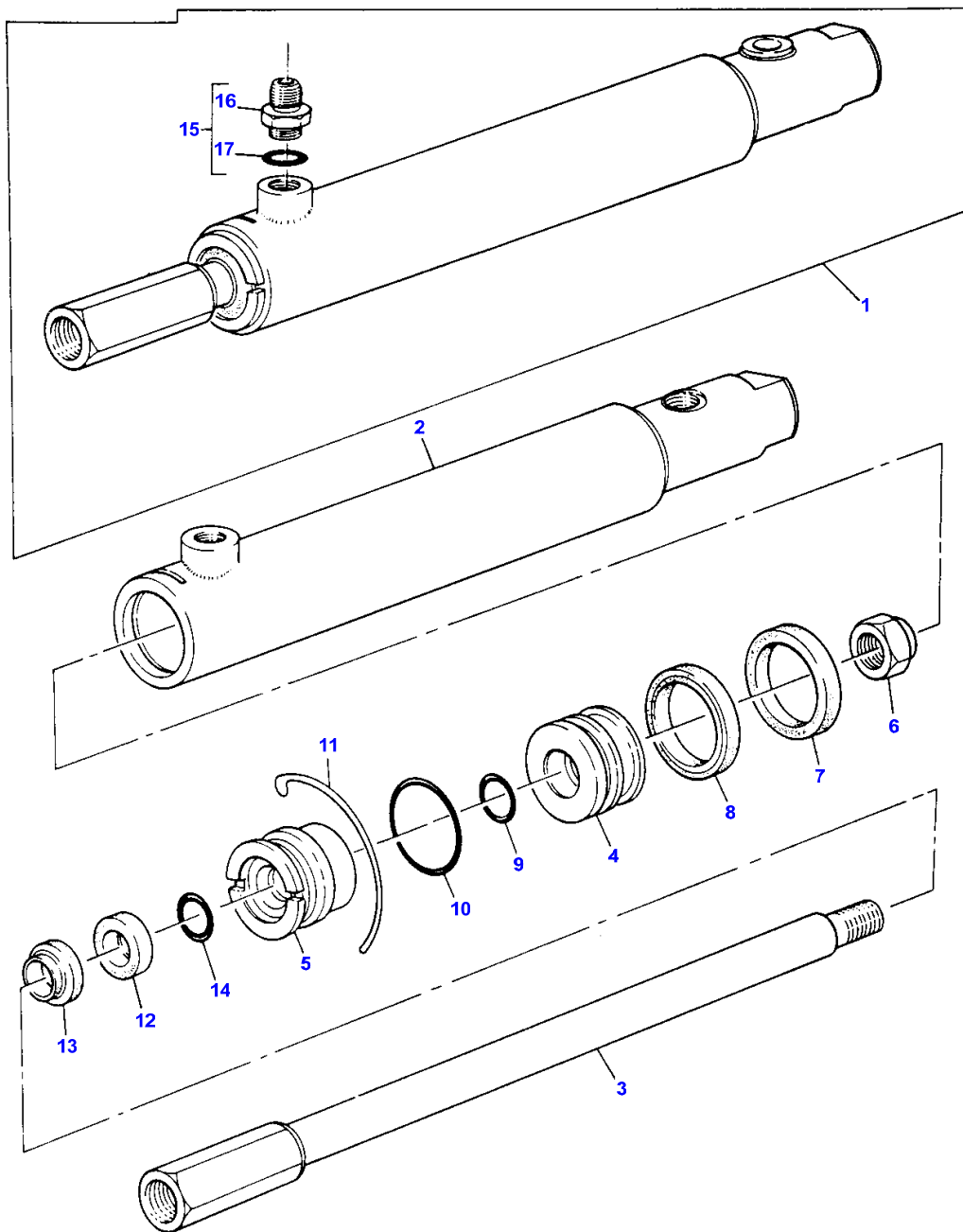
768

RAM FOR STEERING  
 VERIN DE DIRECTION ASSISTEE  
 HYDRAULIKZYLINDER LENKHILFE  
 CILINDRO DI STERZO DOPPIO EFFETTO  
 CILINDRO HYDRAULICO DE DIRECCION

DOUBLE ACTION  
 DOUBLE EFFET  
 DOPPELTWIRKEND  
 DOPPIO EFFETTO  
 DOBLE ACCION

31213001

3-3121-001-A



PRINTED IN U.K.

520 525

819611-H (1)

**MASSEY FERGUSON  
MF 520/525 COMBINES - 819611**

**819611**

**768**

**RAM FOR STEERING DOUBLE ACTION**

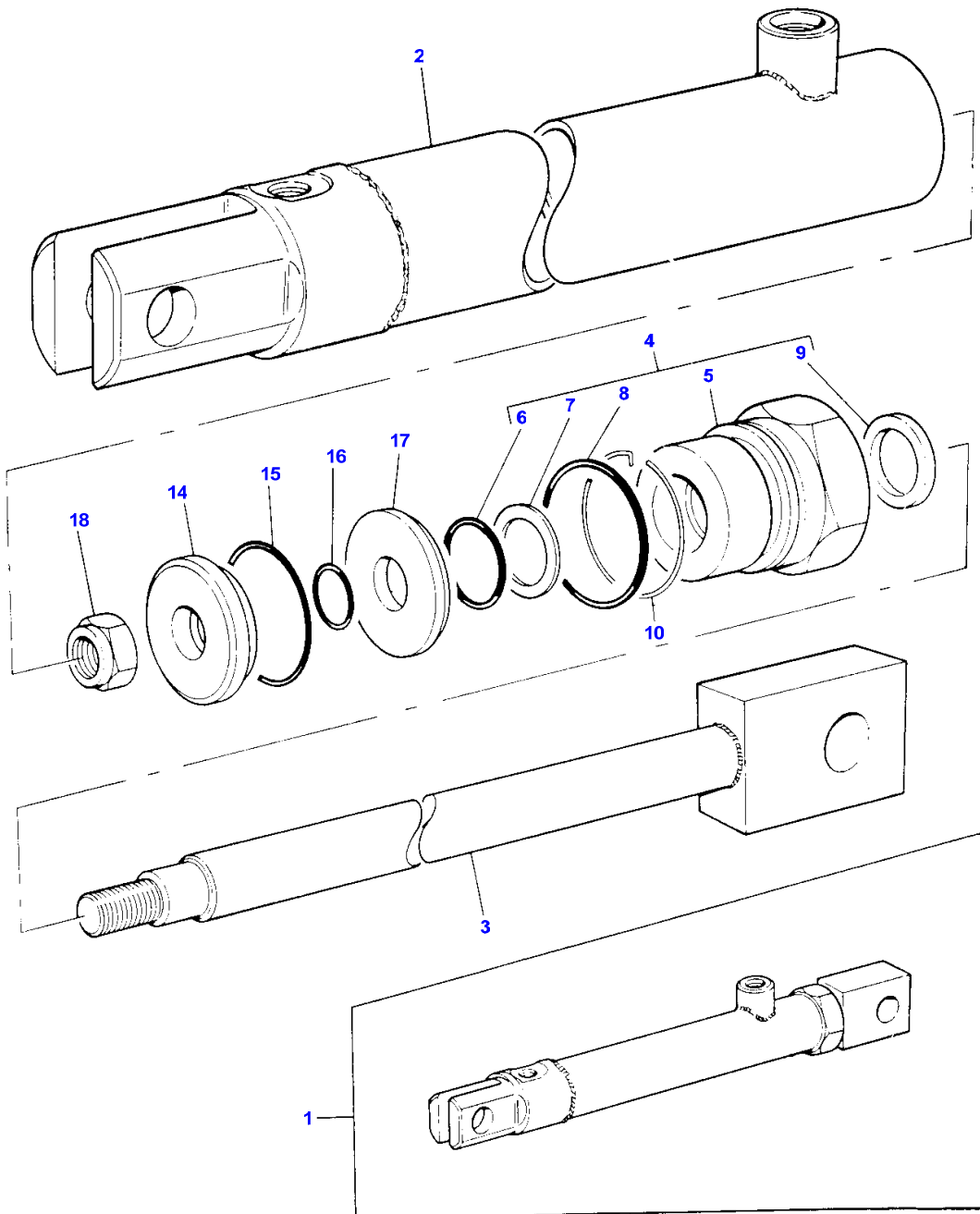
<b>Item</b>	<b>Part Number</b>	<b>Qty</b>	<b>Description</b>	<b>Comments</b>
1	1615835M91	1	Cylinder	1 3/4"/ 45MM.O Alternative 784 197 M91
2	1748247M91	1	Barrel	(1)
3	1748250M91	1	Rod	(1)
4	1606841M1	1	Piston	(1)
5	1748237M1	1	Bearing	(1)
6	1442275X1	1	Nut Metric	(1)
7	1606843M1	1	Ring	(1)
8	1606842M1	1	Ring	(1)
9	1442712X1	1	Seal	(1)
10	1442710X1	1	Seal	(1)
11	1748053M1	1	Wire	(1)
12	1748236M1	1	Seal	(1)
13	1442082X1	1	Seal	(1)
14	365583X1	1	O Ring	(1)
15	835091M91	2	Connector	(1)
16		1	Union	(15) Not serviced, order 835 091 M91
17	831452M1	1	O Ring	(15)

770

RAM FOR TRACTION  
 VERIN VARIATEUR D'AVANCEMENT  
 HYDRAULIKZYLINDER FUER FAHRANTRIEB  
 CILINDRO PER TRAZIONE  
 CILINDRO PARA TRACCION

31153001

3-3115-001-A



PRINTED IN U.K.

520 525

819611-H / 11

RAM FOR TRACTION

Item	Part Number	Qty	Description	Comments
1	784098M91	1	Cylinder	(C)
2	1886675M91	1	Barrel	(1)
3	1886676M91	1	Rod	(1)
4	1810452M91	1	Kit, Bearing	(1)
5		1	Bearing	(4) Not serviced, order 1810 452 M91
6	851258M1	1	O Ring	(4) (A)
7		1	Washer	(4) (A)
8	851145M1	1	O Ring	(4)
9		1	Seal	(4) (A)
10	1887535M1	1	Ring	(1) (A)
14	1020292M1	1	Piston	(1)
15	851145M1	1	O Ring	(1) (A)
16	195562M1	1	O Ring	(1) (A)
17	195920M1	2	Washer	(1) (A)
18	376448X1	1	Nut Unf	(1)
19	1810453M91	X	Kit, Seal	(B)

(A)  
INCLUDED IN REPAIR KIT 1810 453 M91

(B)  
CONTAINS ITEMS MARKED (A)

(C)  
NO LONGER SERVICED ORDER 1748 187 M91

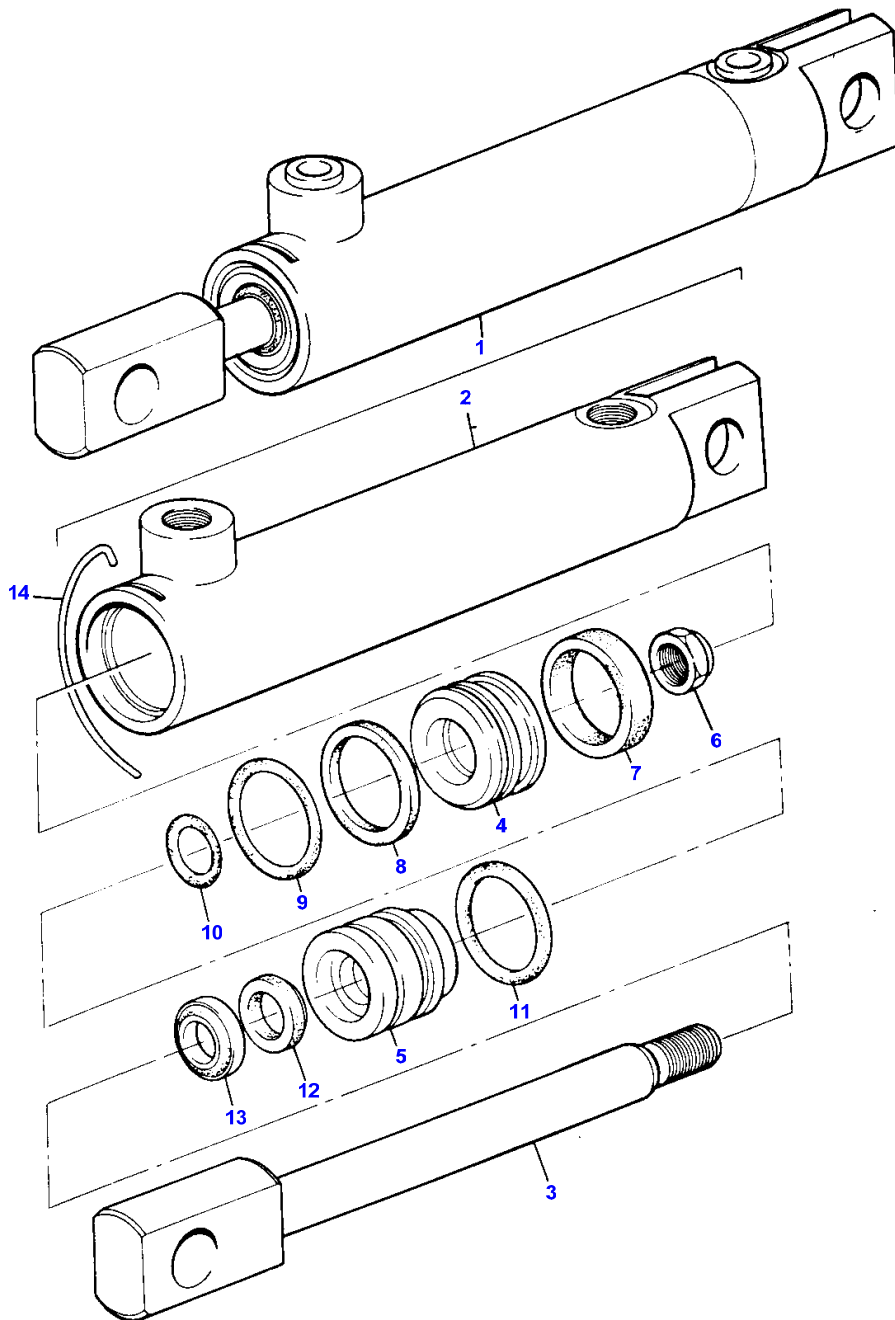
772

RAM FOR TRACTION  
 VERIN DE VARIATEUR D AVANCEMENT  
 HYDRAULIKANLAGE FAHRVERSTELLTRIEB  
 CILINDRO PER TRAZIONE  
 HYDRAULICO DEL CILINDRO DE LA TRACCION

DOUBLE ACTION  
 DOUBLE EFFET  
 DOPPELTWIRKEND  
 DOPPIO EFFETTO  
 DOBLE ACCION

31163001

3-3116-001-A



PRINTED IN U.K.

520 625

819611-H (1)

RAM FOR TRACTION DOUBLE ACTION

Item	Part Number	Qty	Description	Comments
1	1748187M91	1	Cylinder	1 1/4"/ 32MM. Alternative 784 098 M91
2	1748289M91	1	Barrel	(1)
3	1748275M91	1	Rod	(1)
4	1748264M1	1	Piston	(1)
5	1748262M1	1	Bearing	(1)
6	1442494X1	1	Nut Metric	(1)
7	1606804M1	1	Ring	(1)
8	1606801M1	1	Ring	(1)
9	367178X1	1	Ring	(1)
10	1442713X1	1	Seal	(1)
11	1748324M1	1	Ring	(1)
12	1748346M1	1	Seal	(1)
13	1441781X1	1	Seal	(1)
14	1748009M1	1	Wire	(1)

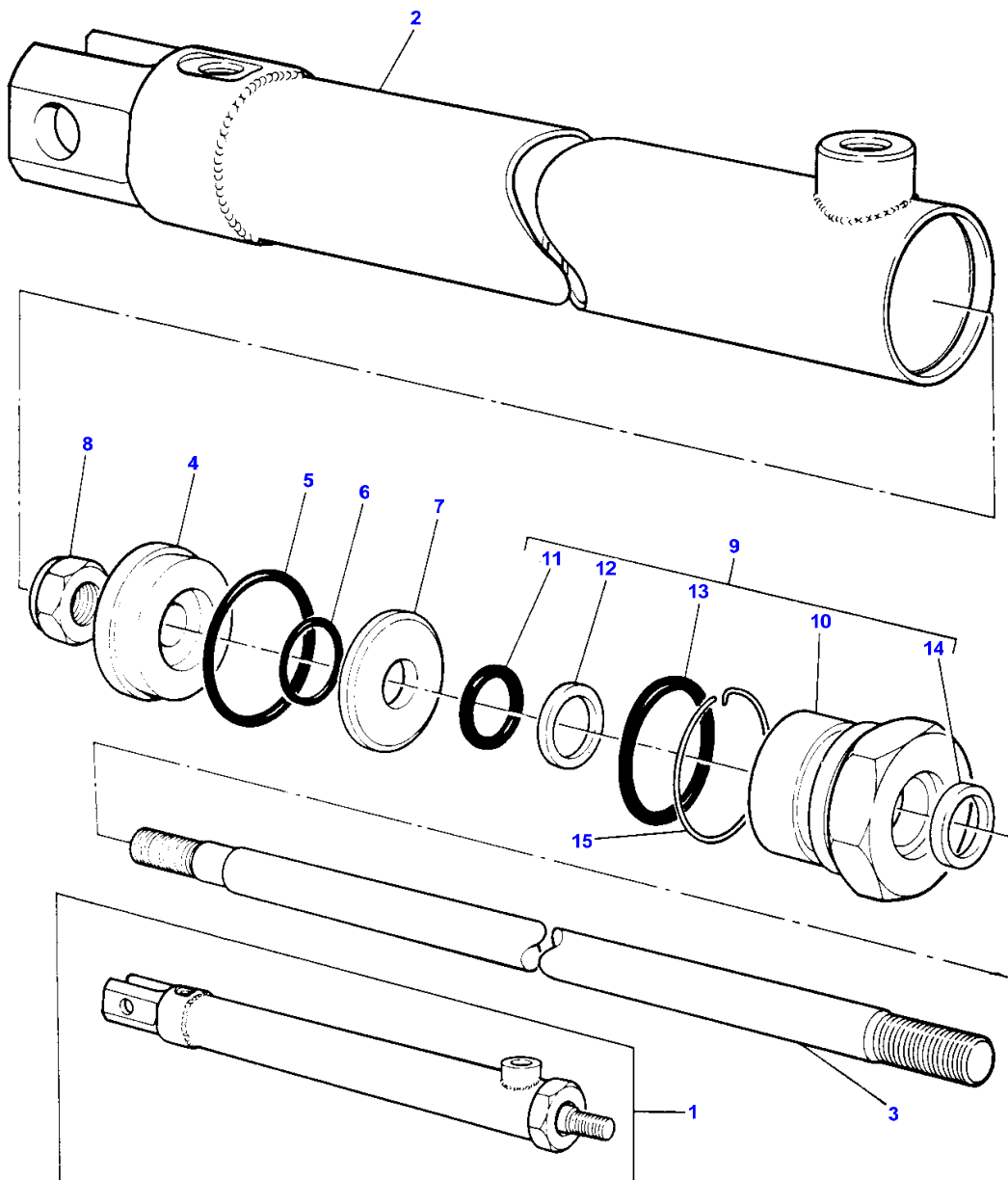


774

UNLOADER RAM  
 VERIN DECHARGEUR A GRAINS  
 KORNTANKENTLEERUNGSZYLINDER  
 CILINDRO IDRAULICO PER SCARICAMENTO  
 DESCARGA

30753001

3-3075-001-A



PRINTED IN U.K.

520 525

819611-H (1)

UNLOADER RAM

Item	Part Number	Qty	Description	Comments
1	784810M91	1	Ram	
2	1886679M91	1	Barrel	(1)
3	1883145M1	1	Rod	(1)
4	1020292M1	1	Piston	(1)
5	851145M1	1	O Ring	(1)
				(A)
6	195562M1	1	O Ring	(1)
				(A)
7	195920M1	2	Washer	(1)
				(A)
8	376448X1	1	Nut Unf	(1)
9	1810452M91	1	Kit, Bearing	(1)
10		1	Bearing	(9)
				Not serviced, order 1810 452 M91
11	851258M1	1	O Ring	(9)
				(A)
12		1	Washer	(9)
				(A)
13	851145M1	1	O Ring	(9)
				(A)
14		1	Seal	(9)
				(A)
15	1887535M1	1	Ring	(1)
				(A)
16	1810453M91	X	Kit, Seal	(B)
				(A)
				CONTAINED IN KIT 1810 453 M91
				(B)
				CONTAINS ITEMS MARKED (A)

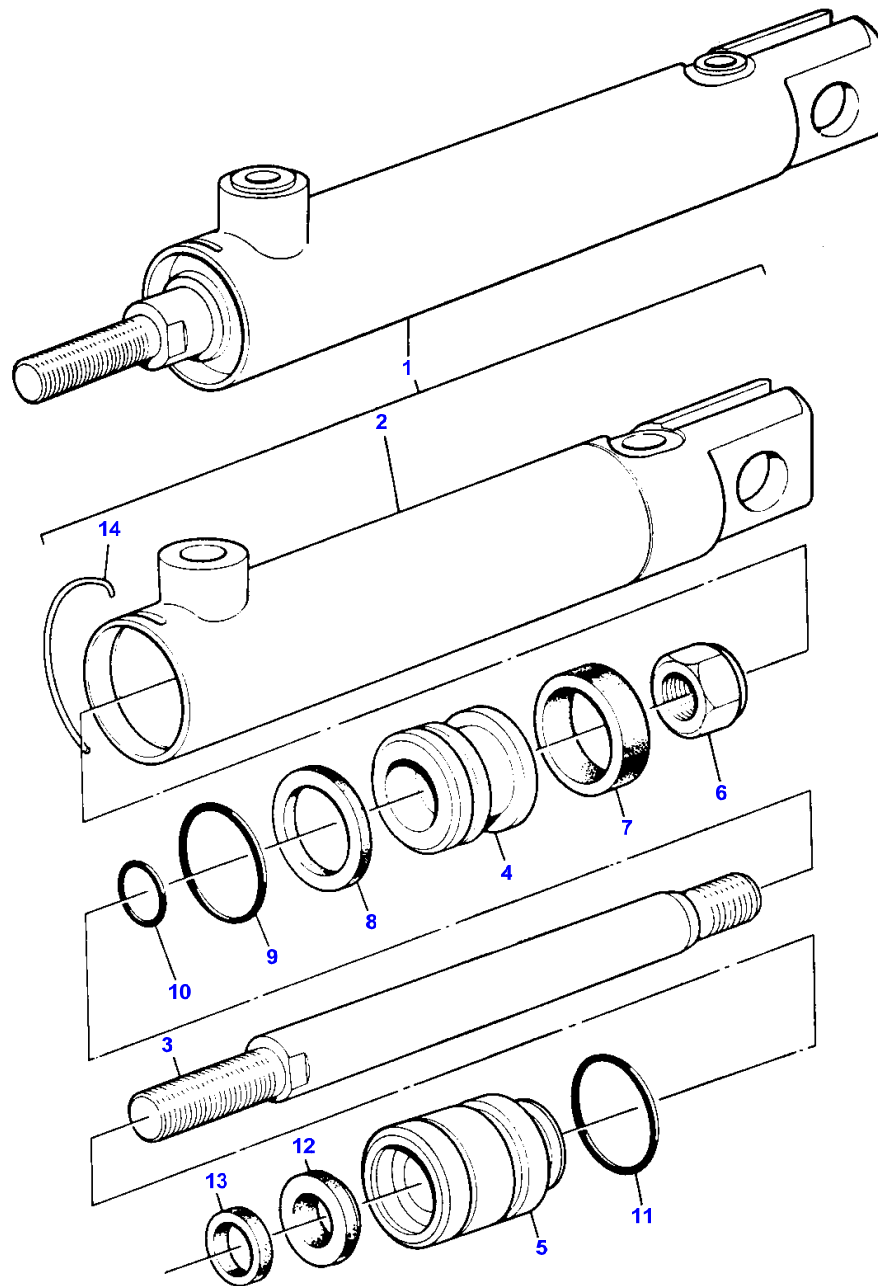
776

RAM FOR UNLOADING  
 VERIN GOULOTTE DE DECHARGE  
 HYDRALIKANLAGE KORNTANKAUSLAUFROHR  
 CILINDRO SCARICATORE  
 EQUIPO HYDRAULICO PARA DESCARGADORA

DOUBLE ACTION  
 DOUBLE EFFET  
 DOPPELTWIRKEND  
 DOPPIO EFFETTO  
 DOBLE ACCION

26413001

3-2641-001-A



RAM FOR UNLOADING DOUBLE ACTION

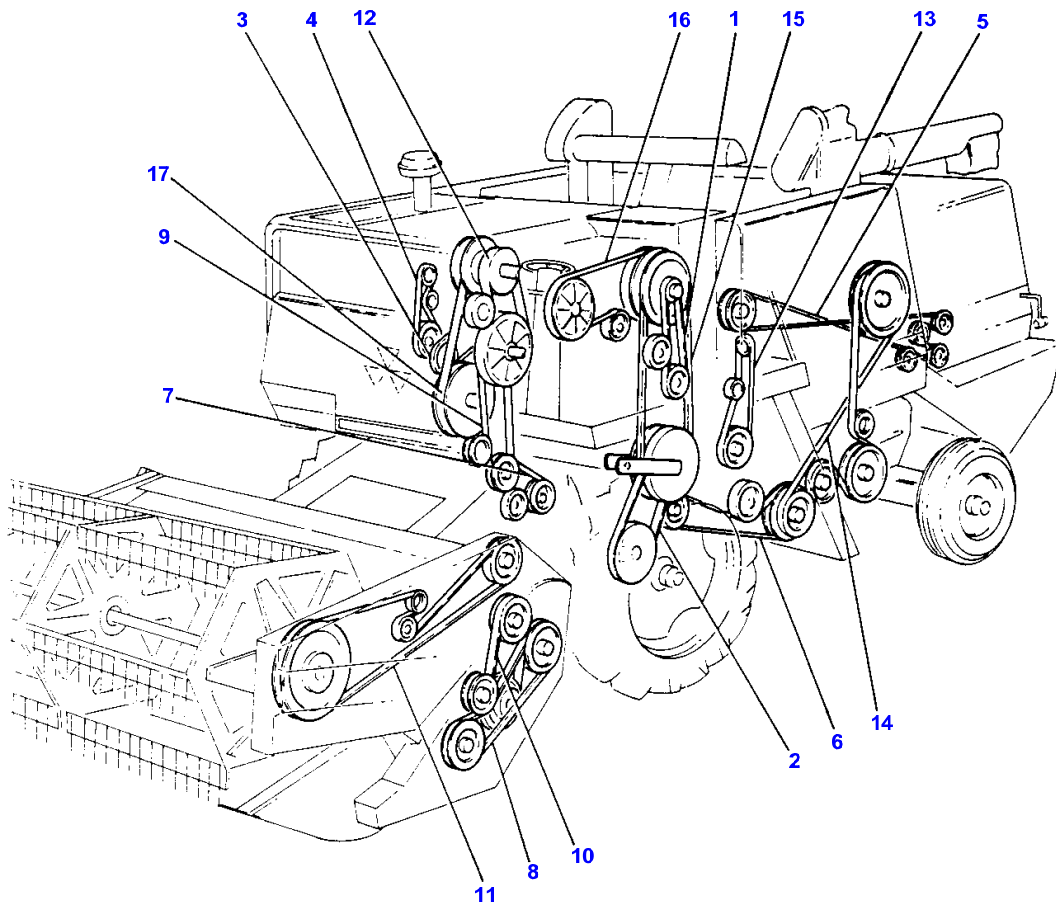
Item	Part Number	Qty	Description	Comments
1	1748186M91	1	Cylinder	Alternative 784 810 M91
2	1748288M91	1	Barrel	(1)
3	1748273M1	1	Rod	(1)
4	1748264M1	1	Piston	(1)
5	1748262M1	1	Bearing	(1)
6	1442494X1	1	Nut Metric	(1)
7	1606804M1	1	Ring	(1)
8	1606801M1	1	Ring	(1)
9	367178X1	1	Ring	(1)
10	1442713X1	1	Seal	(1)
11	1748324M1	1	Ring	(1)
12	1748346M1	1	Seal	(1)
13	1441781X1	1	Seal	(1)
14	1748009M1	1	Wire	(1)

778

BELT DETAILS  
COURROIES (DETAIL)  
REIMEN  
DETTAGLI CINGHIA  
DESPIECE DE CINTA

32103001

3-3210-001-A



BELT DETAILS

Item	Part Number	Qty	Description	Comments
1	619317M2	1	Belt	(A)
2	1616715M1	1	Belt	(B)
3	782850M2	1	Belt	(C)
4	783907M2	1	Belt	(D)
5	784170M2	1	Belt	(E)
6	784796M2	1	Belt	(F)
7	784797M2	1	Belt	(G)
	1616477M1	1	Belt	(H)
8	785585M3	1	Belt	(J)
9	785585M3	1	Belt	(K)
10	789853M1	1	Belt	(L)
11	785810M1	1	Belt	(M)
	1615333M1	1	Belt	(N)
12	789967M1	1	Belt	(P)
13	795514M4	1	Belt	(R)
	795582M2	1	Belt	(S)
14	1615254M1	1	Belt	(T)
15	1616714M1	1	Belt	(U)
16	789930M1	1	Belt	(V)
17	783539M1	1	Belt	(W)

(A)  
UNLOADER DRIVE

(B)  
TRACTION DRIVE - LOWER

(C)  
HYDRAULIC PUMP DRIVE

(D)  
RADIATOR AIR INTAKE

(E)  
CASCADE SEPARATOR

(F)  
SECOND COUNTERSHAFT AND GRAIN AUGER

(G)  
SECOND COUNTERSHAFT AND FANNING MILL - LOW SPEED

(H)  
SECOND COUNTERSHAFT AND FANNING MILL - HIGH SPEED

(J)  
KNIFE DRIVE

(K)  
SECOND COUNTERSHAFT DRIVE

(L)  
VARIABLE SPEED DRIVE

(M)  
REEL DRIVE - BATT REEL

(N)  
REEL DRIVE - PICK UP REEL

(P)  
POLY - RIGHT HAND DRIVE

(R)  
RETURNS ELEVATOR

(S)  
RETURNS ELEVATOR - LOW SPEED SLINGER ONLY

(T)

BELT DETAILS

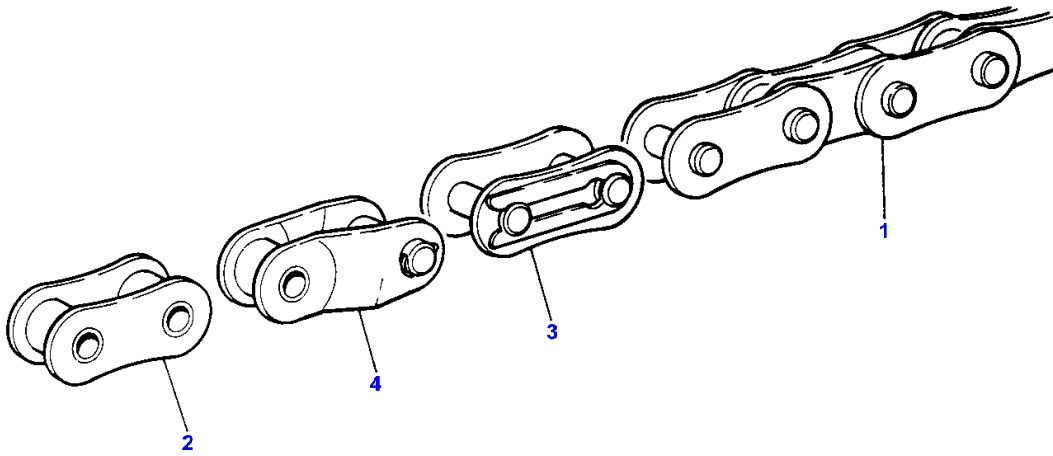
Item	Part Number	Qty	Description	Comments
				STRAW WALKER DRIVE
				(U) TRACTION DRIVE UPPER
				(V) MAIN DRIVE
				(W) CYLINDER DRIVE

784

CHAINS  
CHAINES  
KETTEN  
CATENE  
CADENAS

34853001

3-3465-001-A





CHAINS - 1/2"A.S.A

Item	Part Number	Qty	Description	Comments
				1/2"A.S.A
1	785216M91	1	Chain	(A) Not serviced, order 1810 235 C10
1	234941M91	1	Chain	(B) Not serviced, order 1810 235 C10
1	1855025M91	1	Chain	(C) Not serviced, order 1810 235 C10
1	228794M91	1	Chain	(D) Not serviced, order 1810 235 C10
1	222794M91	1	Chain	(E) Not serviced, order 1810 235 C10
2	329202M91	X	Link	(1)
3	329206M91	X	Link	(1)
4	329210M91	X	Cranked Link	(1)
5	1810235C10	1	Chain	(F)

(A)  
46 PITCHES

(B)  
62 PITCHES

(C)  
66 PITCHES

(D)  
74 PITCHES

(E)  
83 PITCHES

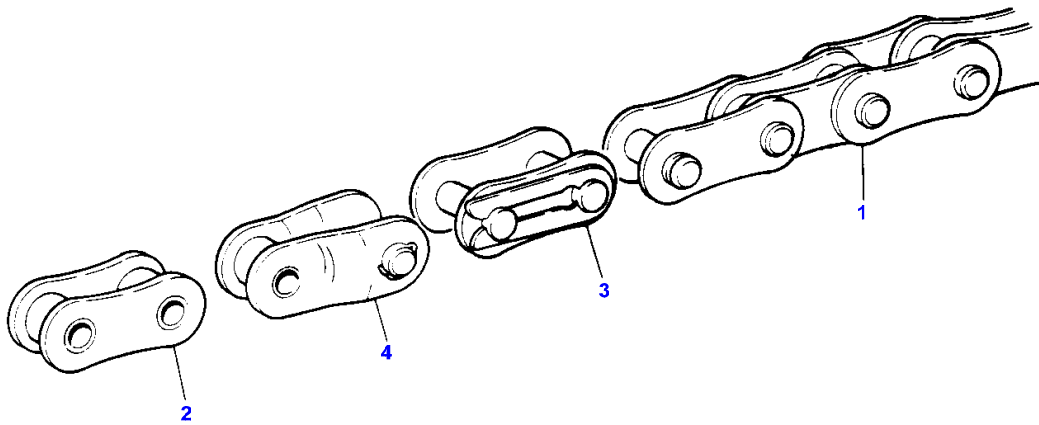
(F)  
240 PITCHES

786

CHAINS  
CHAINES  
KETTEN  
CATENE  
CADENAS

34653002

3-3465-002-A



CHAINS - 5/8"A.S.A

Item	Part Number	Qty	Description	Comments
				5/8"A.S.A
1	786149M91	1	Chain	(A) Not serviced, order 1810 236 C10
1	833374M91	1	Chain	(B) Not serviced, order 1810 236 C10
1	785843M91	1	Chain	(C) Not serviced, order 1810 236 C10
1	785617M91	1	Chain	(D) Not serviced, order 1810 236 C10
1	619257M1	1	Chain	(E) Not serviced, order 1810 236 C10
1	786096M91	1	Chain	(F) Not serviced, order 1810 236 C10
2	329257M91	X	Link	(1)
3	329260M91	X	Link	(1)
4	329266M91	X	Cranked Link	(1)
5	1810236C10	1	Chain	(G)

(A)  
8 PITCHES

(B)  
52 PITCHES

(C)  
93 PITCHES

(D)  
98 PITCHES

(E)  
135 PITCHES

(F)  
168 PITCHES

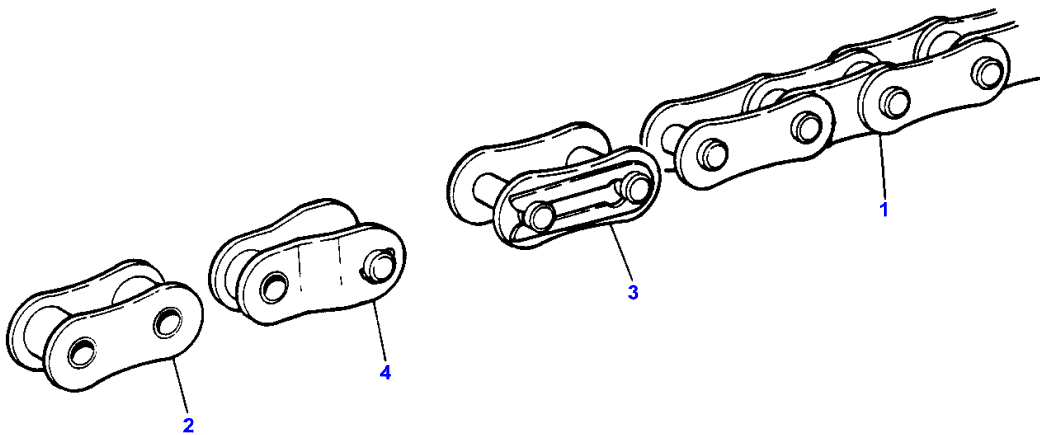
(G)  
192 PITCHES

790

CHAINS  
CHAINES  
KETTEN  
CATENE  
CADENAS

34653003

3-3465-003-A



CHAINS - 3/4"A.S.A

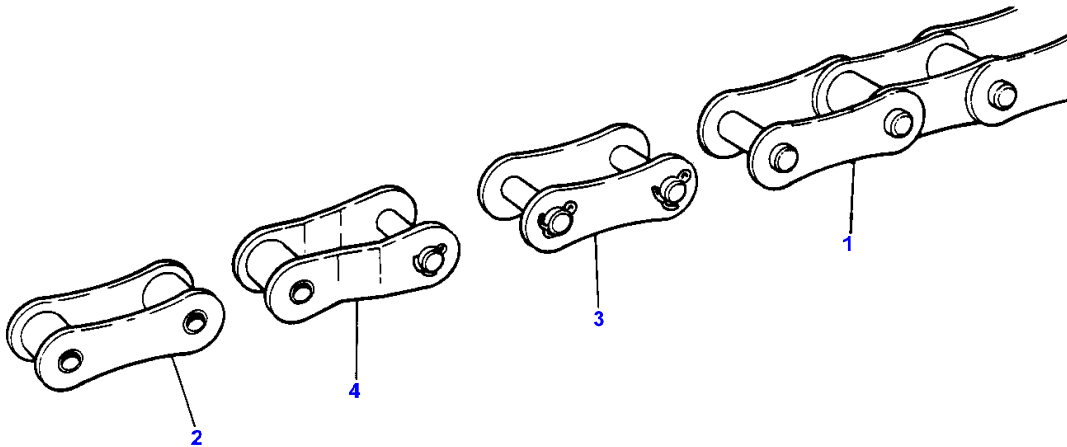
Item	Part Number	Qty	Description	Comments
				3/4"A.S.A
1	912497M91	1	Chain	(A) Not serviced, order 1810 237 C10
1	619855M91	1	Chain	(B) Not serviced, order 1810 237 C10
1	617931M91	1	Chain	(C) Not serviced, order 1810 237 C10
2	329419M91		Link	(1)
3	329274M91		Connecting Link	(1)
4	329420M91		Cranked Link	(1)
5	1810237C10		Chain	(D)
				(A) 130 PITCHES
				(B) 141 PITCHES
				(C) 140 PITCHES
				(D) 160 PITCHES

792

CHAINS  
CHAINES  
KETTEN  
CATENE  
CADENAS

34653004

3-3465-004-A



CHAINS - 1" A.S.A

Item	Part Number	Qty	Description	Comments
				1" A.S.A
1	1855454M91	1	Chain	(A) Not serviced, order 1810 239 C10
2	329333M91	X	Link	(1)
3	329335M91	X	Link	(1)
4	329336M91	X	Cranked Link	(1)
5	1810239C10	1	Chain	(B)  (A) 73 PITCHES  (B) 120 PITCHES

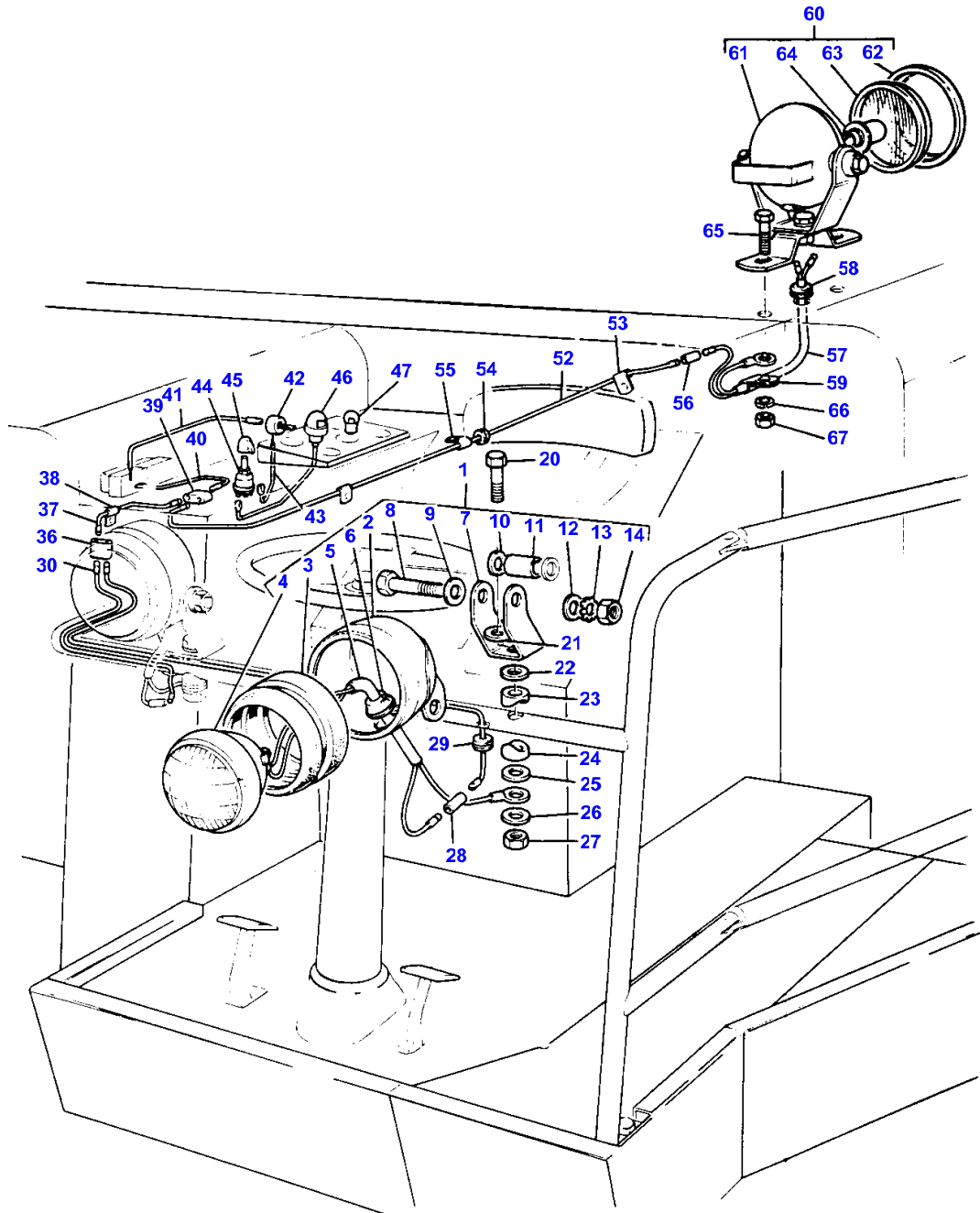
794

FIELD LIGHTS  
 D ECLAIRAGE DE TRAVA  
 ARBEITSSCHEINWERFER  
 LUCE ILLUMINAZIONE CAMPO  
 LUCES DE CAMPO

UK ONLY  
 GB SEULMENT  
 NUR FUER GROSS BRITANNIEN  
 SOLO INGHILTERRA  
 SOLOMENTE INGLATERRA

32763002

3-3276-002-A





**MASSEY FERGUSON  
MF 520/525 COMBINES - 819611**

819611

794

**FIELD LIGHTS UK ONLY - UP TO SERIAL NUMBER 5915**

Item	Part Number	Qty	Description	Comments
				UP TO SERIAL NUMBER 5915
1	54051290	2	Light	(A)
2		1	Light	(1) Not serviced, order 54051290
3	1887664M1	1	Mounting	
4	1887665M1	1	Light	
5	54510958	1	Cable	(1) (A)
6	54510231	1	Grommet	(A)
7	54511413	1	Bracket	(1) (A)
8	353513X1	1	Bolt Unf	(1)
9	54510895	1	Retainer	(1) (A)
10	54510541	1	Washer	(1) (A)
11	54510217	1	Spacer	(A)
12	353754X1	1	Washer	(1)
13	359004X1	1	Lock Washer	(1)
14	353918X1	1	Nut Unf	(1)
20	353552X1	2	Bolt Unf	
21	784861M1	2	Washer	
22	22464X	2	Washer	
23	783518M1	2	Spacer	
24	783518M1	2	Spacer	
25	22464X	2	Washer	
26	784861M1	2	Washer	
27	376448X1	2	Nut Unf	
28	900288	2	Connector	(A)
29	893879M1	2	Grommet	
30	784862M3	1	Wire	Left Hand
	1855135M2	1	Wire	Right Hand
36	850641	1	Connector	(A)
37	783528M3	1	Wire	
38	360031X1	1	Clip	
39	850641	1	Connector	(A)
40	783530M1		Wire	Up to Serial or Engine Number 2017
	784503M3	1	Wire	From Serial or Engine Number 2017
41	783531M1		Wire	Up to Serial or Engine Number 2017
	617721M3	1	Wire	From Serial or Engine Number 2017
42	1806777M2	1	Switch	From Serial or Engine Number 2017
43	783532M2	1	Wire	Up to Serial or Engine Number 2017
	617690M3	1	Wire	From Serial or Engine Number 2017
44	884297M1	1	Switch	
45	882284M1	1	Knob	
46	787011M91	1	Panel	Up to Serial or Engine Number 2017
	617693M91	1	Light	From Serial or Engine Number 2017
47	989	1	Bulb	(46) (A)
52	783527M3	1	Wire	
53	360031X1	1	Clip	
54	1800028M1	1	Grommet	
55	360031X1	1	Clip	
56	900288	1	Connector	(A)
57	1855143M93	1	Harness	
58	784157M1	1	Grommet	
59	360031X1	1	Clip	
60	886997M91	1	Lamp	
61		1	Body	(60) Not serviced, order 886 997 M91
62	1886435M1	1	Door	(60)
63	1886433M1	1	Lens	(60)
64	1886436M1	1	Bulb	(60)
65	353516X1	2	Screw Unf	
66	353446X1	2	Lock Washer	
67	353916X1	2	Nut Unf	

(A)  
SUPPLIED BY LUCAS

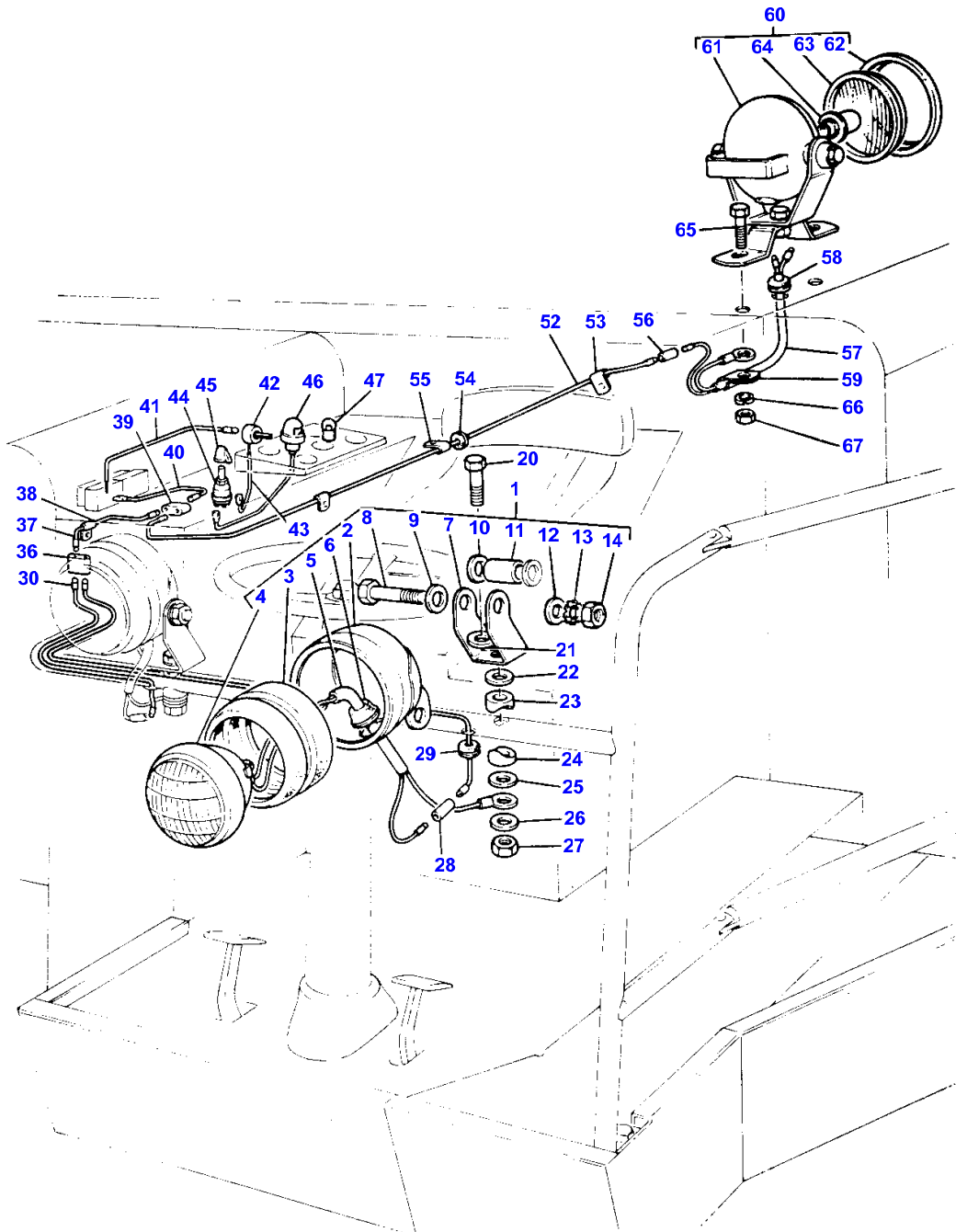
798

FIELD LIGHTS  
 D'ÉCLAIRAGE DE TRAVA  
 ARBEITSSCHEINWERFER  
 LUCE ILLUMINAZIONE CAMPO  
 LUCES DE CAMPO

FRANCE AND GERMANY ONLY  
 FRANCE ET ALLEMAGNE  
 FRANKREICH UND DEUTSCHLAND  
 SOLO FRANCIA E GERMANIA  
 FRANCE Y GERMANIA

32773002

3-3277-002-A



**FIELD LIGHTS FRANCE AND GERMAN ONLY - UP TO SERIAL NUMBER 5915**

Item	Part Number	Qty	Description	Comments
				UP TO SERIAL NUMBER 5915
1	54051290	2	Light	(A)
2		1	Light	Not serviced, order 54051290
3	1887664M1	1	Mounting	
4	1887665M1	1	Light	(A)
5	54510958	1	Cable	(1) (A)
6	54510231	1	Grommet	(A)
7	54511413	1	Bracket	(1) (A)
8	353513X1	1	Bolt Unf	(1)
9	54510895	1	Retainer	(1) (A)
10	54510541	1	Washer	(1) (A)
11	54510217	1	Spacer	(A)
12	353754X1	1	Washer	(1)
13	359004X1	1	Lock Washer	(1)
14	353918X1	1	Nut Unf	(1)
20	353552X1	2	Bolt Unf	
21	784861M1	2	Washer	
22	22464X	2	Washer	
23	783518M1	2	Spacer	
24	783518M1	2	Spacer	
25	22464X	2	Washer	
26	784861M1	2	Washer	
27	376448X1	2	Nut Unf	
28	900288	2	Connector	(A)
29	893879M1	2	Grommet	
30	784862M3	1	Wire	Left Hand
	1855135M2	1	Wire	Right Hand
36	850641	1	Connector	(A)
37	783528M3	1	Wire	
38	360031X1	1	Clip	
39	850641	1	Connector	(A)
40	783530M1	1	Wire	Up to Serial or Engine Number 1635 For France only or any text in French only
40	784503M3	1	Wire	From Serial or Engine Number 1635
41	784504M1	1	Wire	Up to Serial or Engine Number 1635 For France only or any text in French only
41	617721M3	1	Wire	From Serial or Engine Number 1635
42	1806777M2	1	Switch	Up to Serial or Engine Number 1635
43	783532M2	1	Wire	From Serial or Engine Number 1635 For France only or any text in French only
43	617690M3	1	Wire	
44	884297M1	1	Switch	
45	882284M1	1	Knob	
46	787011M91	1	Panel	For France only or any text in French only Up to Serial or Engine Number 1635
46	617693M91	1	Light	From Serial or Engine Number 1635
47	989	1	Bulb	(46) (A)
52	783527M3	1	Wire	
53	360031X1	1	Clip	
54	1800028M1	1	Grommet	
55	360031X1	1	Clip	
56	900288	1	Connector	(A)
57	1855143M93	1	Harness	
58	784157M1	1	Grommet	
59	360031X1	1	Clip	
60	886997M91	1	Lamp	
61		1	Lamp	(60) Not serviced, order 886 997 M91
62	1886435M1	1	Door	(60)
63	1886433M1	1	Lens	(60)
64	1886436M1	1	Bulb	(60)
65	353516X1	2	Screw Unf	
66	353446X1	2	Lock Washer	
67	353916X1	2	Nut Unf	

**MASSEY FERGUSON**

**MF 520/525 COMBINES - 819611**

**819611**

**FIELD LIGHTS FRANCE AND GERMAN ONLY - UP TO SERIAL NUMBER 5915**

**798**

**Item Part Number Qty Description Comments**

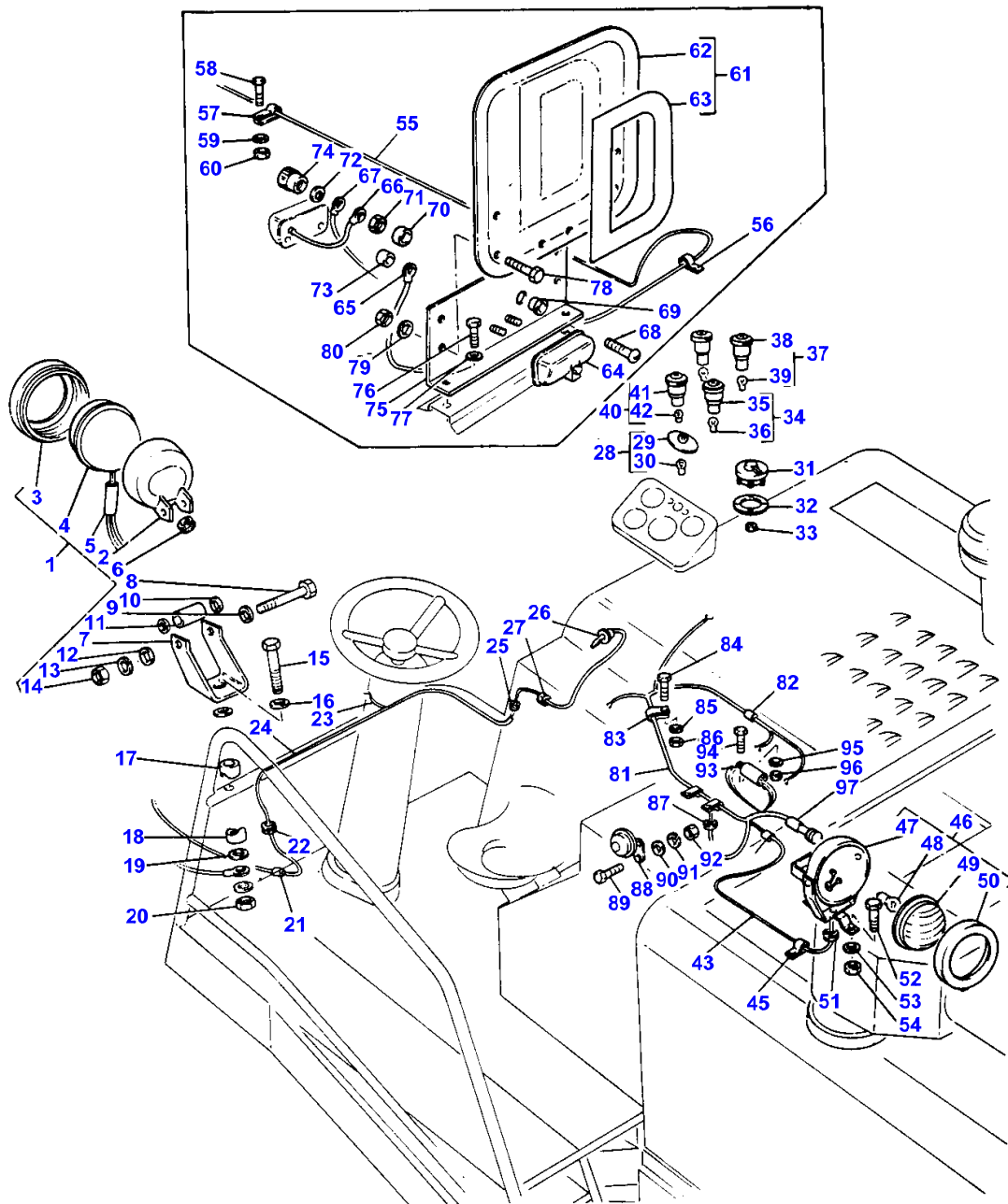
(A)  
SUPPLIED BY LUCAS

802

FIELD LIGHTS  
 PHARE DE TRAVAIL  
 ARBEITSSCHEINWERFER  
 LUCE ILLUMINAZIONE CAMPO  
 LUCES DE CAMPO

32753001

3-3275-001-A



PRINTED IN U.K.

520 525

819611-H (1)

**MASSEY FERGUSON**

**MF 520/525 COMBINES - 819611**

819611

**FIELD LIGHTS - FROM SERIAL NUMBER 5915**

802

Item	Part Number	Qty	Description	Comments
				FROM SERIAL NUMBER 5915
1	54051290	2	Light	(A)
2		1	Light	(1)
				Not serviced, order 54051290
3	1887664M1	1	Mounting	
4	1887665M1	1	Light	
5	54510958	1	Cable	(1)
				(A)
6	54510231	1	Grommet	(1)
				(A)
7	54511413	1	Bracket	(1)
				(A)
8	353513X1	1	Bolt Unf	(1)
9	54510895	1	Retainer	(1)
				(A)
10	54510541	2	Washer	(1)
				(A)
11	54510217	1	Spacer	(1)
				(A)
12	353754X1	1	Washer	(1)
13	359004X1	1	Lock Washer	(1)
14	353918X1	1	Nut Unf	(1)
15	353552X1	2	Bolt Unf	
16	784861M1	4	Washer	
17	783518M1	2	Spacer	
18	783518M1	2	Spacer	
19	22464X	4	Washer	
20	376448X1	2	Nut Unf	
21	900288	2	Connector	(A)
22	893879M1	2	Grommet	
23	1855135M2	1	Wire	
24	784862M3	1	Wire	
25	850641	1	Connector	(A)
26	1806777M2	1	Switch	
27	1800028M1	1	Grommet	
28	617693M91	1	Light	
29		1	Light	(28)
				Not serviced, order 617 693 M91
30	989	1	Bulb	(28)
				(A)
31	881670M1	1	Switch	
32	1604665M1	1	Washer	
33	354120X1	4	Nut	
34	1616830M91	1	Lens	
35		1	Lens	(34)
				Not serviced, order 1616 830 M91
36	322795M1	1	Bulb	(34)
37	1616831M91	2	Lens	
38		1	Lens	(37)
				Not serviced, order 1616 831 M91
39	322795M1	1	Bulb	(37)
40	899567M91	1	Pointer	
41		1	Lens	(40)
				Not serviced, order 899 567 M91
42	322795M1	1	Bulb	(40)
43	1616906M1	1	Wire	
44	900288	2	Connector	(A)
45	360031X1	2	Clip	
46	886997M91	1	Lamp	
47		1	Light	(46)
				Not serviced, order 886 997 M91
48	1888740M1	1	Bulb P/Lamp	(46)
49	1886433M1	1	Lens	(46)
50	1886435M1	1	Door	(46)
51	784157M1	1	Grommet	
52	353516X1	2	Screw Unf	
53	353446X1	2	Lock Washer	
54	353916X1	2	Nut Unf	
55	1616907M1	1	Wire	For France only or any text in French only

FIELD LIGHTS - FROM SERIAL NUMBER 5915

Item	Part Number	Qty	Description	Comments
56	785981M1	4	Clip	For France only or any text in French only
57	1602229M1	3	Clip	For France only or any text in French only
58	355124X1	3	Screw Unc	For France only or any text in French only
59	353445X1	3	Lock Washer	For France only or any text in French only
60	354120X1	3	Nut	For France only or any text in French only
61	914672M91	1	Panel	For France only or any text in French only
62		1	Plate	(61) Not serviced, order 914 672 M91
63	914671M1	2	Emblem	(61) For France only or any text in French only
64	785411M91	2	Light	
65	785449M2	2	Wire	For France only or any text in French only
66	54952106	1	Wire	(A)
67	54952111	1	Wire	(A)
68	785428M1	3	Screw	For France only or any text in French only
69	785249M1	1	Block	For France only or any text in French only
70	785248M1	1	Block	For France only or any text in French only
71	785427M1	3	Nut	For France only or any text in French only
72	22427X	3	Lock Washer	For France only or any text in French only
73	785441M1	2	Spacer	For France only or any text in French only
74	785429M1	1	Knob	For France only or any text in French only
75	794306M1	2	Bracket	For France only or any text in French only
76	353515X1	2	Screw Unf	For France only or any text in French only
77	353446X1	2	Lock Washer	For France only or any text in French only
78	353502X1	4	Screw Unf	For France only or any text in French only
79	353441X1	4	Lock Washer	For France only or any text in French only
80	353918X1	4	Nut Unf	For France only or any text in French only
81	1616901M1	1	Harness	
82	1616916M1	1	Protector	
83	1616921M1	3	Clip	
84	353970X1	3	Screw Unc	
85	353441X1	3	Lock Washer	
86	355564X1	3	Nut Unc	
87	892791M1	1	Grommet	
88	794220M1	1	Horn	
89	353503X1	2	Screw Unf	
90	353754X1	2	Washer	
91	353441X1	2	Lock Washer	
92	353918X1	2	Nut Unf	
93	1672755M1	1	Blinker	
94	353970X1	1	Screw Unc	
95	353441X1	1	Lock Washer	
96	355564X1	1	Nut Unc	
97	1616915M1	1	Protector	

(A)  
SUPPLIED BY LUCAS

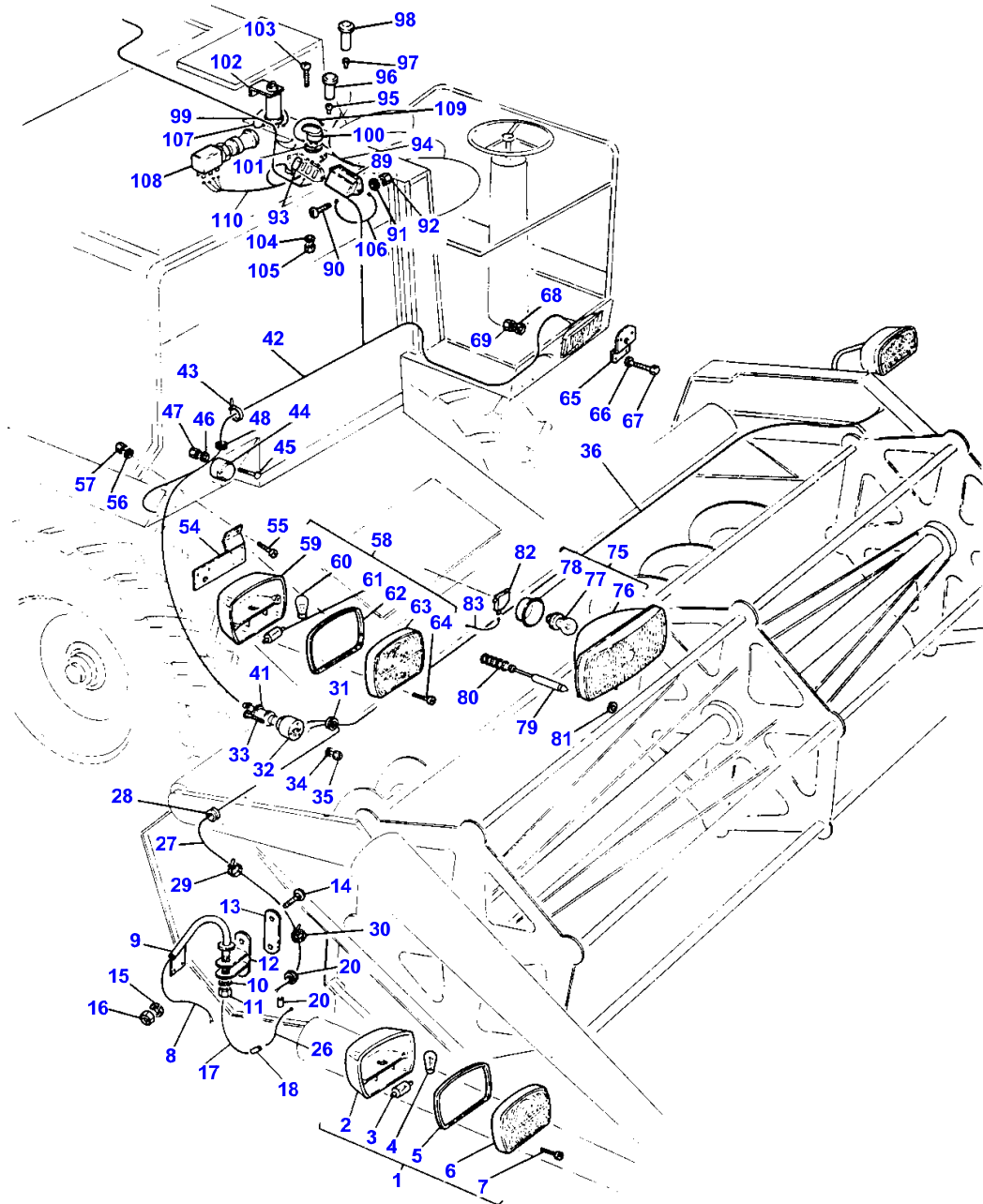
806

ROAD LIGHTS FRONT  
 ECLAIRAGE DE TRAVAIL AVANT  
 STRASSENSCHEINWERFER VORDER  
 LUCI STRADALI ANTERIORI  
 LUCES DE CARRETERA DELANTERA

UK ONLY  
 GB SEULMENT  
 NUR FUER GROSS BRITANNIEN  
 SOLO INGHILTERRA  
 SOLAMENTE INGLATERRA

32823001

3-3282-001-A





Item	Part Number	Qty	Description	Comments
FROM SERIAL NUMBER 2017 UP TO SERIAL NUMBER 5915				
1	619413M91	2	Lamp	
2	1806420M1	1	Body	(1)
3	621235M1	1	Bulb 21w Side	(1)
				12V. 21W.
4	621234M1	1	Bulb 5w Festoon	(1)
				12V. 6W.
5	1806422M1	1	Gasket	(1)
6	1806417M1	1	Lens	(1)
7	1806421M1	2	Screw	(1)
8	784643M3	1	Harness	Left Hand
	784644M3	1	Harness	Right Hand
9	784141M91	2	Arm	
10	353439X1	4	Lock Washer	
11	353437X1	4	Nut Unf	
12	785314M91	2	Bracket	
13	785137M1	2	Plate	
14	353792X1	4	Bolt Unf	
15	353446X1	4	Lock Washer	
16	353916X1	4	Nut Unf	
17	784491M2	2	Wire	
18	900288	4	Connector	(A)
19	784490M2	2	Wire	
20	787076M1	3	Grommet	
26	900288	2	Connector	(A)
27	784485M4	1	Harness	Right Hand
28	824145M1	2	Grommet	
29	360037X1	6	Clamp	
30	793550M1	15	Clip	
31	824145M1	1	Grommet	
32	409965M1	1	Socket 7 Pin Sup	
33	355130X1	3	Screw Unc	
34	353445X1	3	Lock Washer	
35	354120X1	3	Nut	
36	784488M4	1	Harness	
41	328547M1	1	Plug	
42	1615476M3	1	Harness	
43	793550M1	15	Clip	
44	409965M1	1	Socket 7 Pin Sup	
45	355130X1	3	Screw Unc	
46	353445X1	3	Lock Washer	
47	354120X1	3	Nut	
48	795637M1	3	Grommet	
54	617684M91	1	Support	Right Hand
55	353516X1	4	Screw Unf	
56	353446X1	4	Lock Washer	
57	353916X1	4	Nut Unf	
58	619413M91	2	Lamp	
59	1806420M1	1	Body	(58)
60	621235M1	1	Bulb 21w Side	(58)
				12V. 21W.
61	621234M1	1	Bulb 5w Festoon	(58)
				12V. 6W.
62	1806422M1	1	Gasket	(58)
63	1806417M1	1	Lens	(58)
64	1806421M1	2	Screw	(58)
65	617817M1	1	Support	Left Hand
66	353502X1	2	Screw Unf	
67	353754X1	2	Washer	
68	353441X1	2	Lock Washer	
69	353918X1	2	Nut Unf	
75	619562M91	2	Holder	
76		1	Headlamp	(75)
				Not serviced, order 619 562 M91
77	961866M1	1	Bulb H/L 45/40w	(75)
78	962733M1	1	Boot	(75)
79	963440M2	6	Screw	
80	963441M1	6	Spring	
81	963442M1	6	Circlip	

ROAD LIGHTS FRONT UK ONLY - FROM SERIAL NUMBER 2017 UP TO SERIAL NUMBER 5915

Item	Part Number	Qty	Description	Comments
82	1860181M1	2	Connector	
83	784505M2	2	Wire	
89	37420	2	Fuse Box	(A)
90	355128X1	4	Screw Unc	
91	353445X1	4	Lock Washer	
92	354120X1	4	Nut	
93	1887053M1	3	Fuse	
93	188215	7	Fuse	(A)
94	784501M5	1	Harness	
95	1855078M1	1	Bulb	
96		1	Lens	Not serviced, order 784 501 M5
97	1855078M1	2	Bulb	
98		2	Lens	Not serviced, order 784 501 M5
99	1615477M3	1	Harness	
100	881670M1	1	Switch	
101	1604665M1	1	Washer	
102	1808478M1	1	Blinker	
103	353970X1	1	Screw Unc	
104	353441X1	1	Lock Washer	
105	355564X1	1	Nut Unc	
106	1855404M93	1	Wire	
107	617712M3	1	Wire	
108	908267M2	1	Switch	
109	606916M3	2	Wire	
110	617691M3	1	Harness	

(A)  
SUPPLIED BY LUCAS

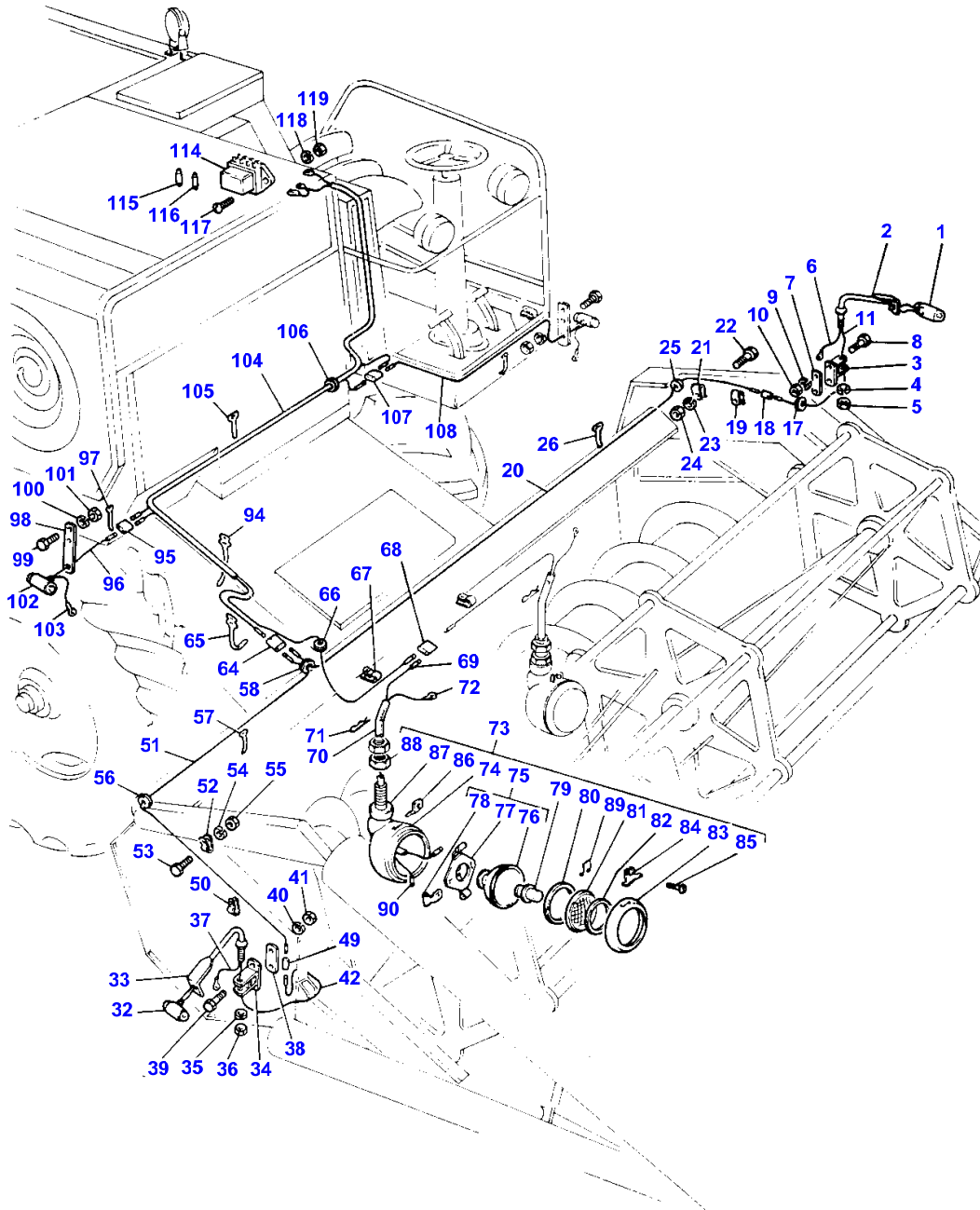
810

ROAD LIGHTS FRONT  
 ECLAIRAGE DE TRAVAIL AVANT  
 STRASSESCHEINWERFER VORDER  
 LUCI STRADALI ANTERIORI  
 LUCES DE CARRETERA DELANTERA

UK ONLY  
 GB SEULMENT  
 NUR FUER GROSS BRITANNIEN  
 SOLO INGHILTERRA  
 SOLAMENTE INGLATERRA

32823002

3-3282-002-A



PRINTED IN U.K.

520 525

819611-H (1)

ROAD LIGHTS FRONT UK ONLY - UP TO SERIAL NO. 2017

Item	Part Number	Qty	Description	Comments
				UP TO SERIAL NO. 2017
1	882380M91	1	Lamp	(B) Left Hand
2	787058M91	1	Arm	(B)
3	785314M91	1	Bracket	(B)
4	353439X1	1	Lock Washer	(B)
5	353437X1	1	Nut Unf	(B)
6	784537M1	1	Wire	(B)
7	785137M1	1	Plate	(B)
8	353792X1	2	Bolt Unf	(B)
9	353446X1	2	Lock Washer	(B)
10	353916X1	2	Nut Unf	(B)
11	784556M1	1	Wire	(B)
17	787076M1	1	Grommet	(B)
18	900288	1	Connector	(A,B)
19	360031X1	1	Clip	(B)
20	784561M1	1	Wire	(B)
21	360031X1	1	Clip	(B)
22	353501X1	1	Screw Unf	(B)
23	353446X1	1	Lock Washer	(B)
24	353916X1	1	Nut Unf	(B)
25	1800028M1	1	Grommet	(B)
26	793550M1	8	Clip	(B)
32	882380M91	1	Lamp	(B) Right Hand
33	787058M91	1	Arm	(B)
34	785314M91	1	Bracket	(B)
35	353439X1	1	Lock Washer	(B)
36	353437X1	1	Nut Unf	(B)
37	784537M1	1	Wire	(B)
38	785137M1	1	Plate	(B)
39	353792X1	2	Bolt Unf	(B)
40	353446X1	2	Lock Washer	(B)
41	353916X1	2	Nut Unf	(B)
42	784556M1	1	Wire	(B)
49	900288	1	Connector	(A,B)
50	360031X1	1	Clip	(B)
51	784559M1	1	Wire	(B)
52	360031X1	1	Clip	(B)
53	353501X1	1	Screw Unf	(B)
54	353446X1	1	Lock Washer	(B)
55	353916X1	1	Nut Unf	(B)
56	1800028M1	1	Grommet	(B)
57	793550M1	3	Clip	(B)
58	1800028M1	1	Grommet	(B)
64	850641	1	Connector	(A)
65	625837M1	1	Clip	
66	1800028M1	1	Grommet	
67	360031X1	1	Clip	
68	850641	1	Connector	(A)
69	784531M1	2	Wire	
70	783462M1	2	Tube	
71	377268X1	2	Pin	
72	783552M1	2	Wire	
73	783551M91	2	Headlamp	
74		1	Body	(73) Not serviced, order 783 551 M91
75	1887448M91	1	Reflector	(73)
76		1	Reflector	(75) Not serviced, order 1887 448 M91
77	1888678M91	1	Contact	(75)
78	1887658M1	1	Terminal	(75)
79	1888740M1	1	Bulb P/Lamp	(73)
80	631121M1	1	Gasket	(73)
81	1886433M1	1	Lens	(73)
82	631120M1	1	Gasket	(73)
83	1886435M1	1	Door	(73)
84	1632506M1	1	Clip	(73)
85	1886722M1	1	Screw	(73)

ROAD LIGHTS FRONT UK ONLY - UP TO SERIAL NO. 2017

Item	Part Number	Qty	Description	Comments
86	1886721M1	1	Catch	(73)
87	1887660M1	1	Washer	(73)
88	1887659M1	2	Nut	(73)
89	631121M1	5	Gasket	(73)
90	188818	1	Sleeve	(A)
94	625837M1	2	Clip	
95	850641	1	Connector	(A)
96	784531M1	1	Wire	
97	793550M1	2	Clip	
98	787078M1	2	Bracket	
99	353517X1	2	Screw Unf	
100	353446X1	2	Lock Washer	
101	353916X1	2	Nut Unf	
102	882380M91	2	Lamp	
103	784536M1	2	Wire	
104	784550M2	1	Harness	
105	793550M1	8	Clip	
106	793620M1	1	Grommet	
107	850641	1	Connector	(A)
108	783549M2	1	Wire	
114	37420	1	Fuse Box	(A)
115	1887053M1	2	Fuse	
116	1895731M1	1	Fuse	
117	355128X1	2	Screw Unc	
118	353445X1	2	Lock Washer	
119	354120X1	2	Nut	

(A)  
SUPPLIED BY LUCAS

(B)  
ONLY REQUIRED WHEN TABLE IS FITTED

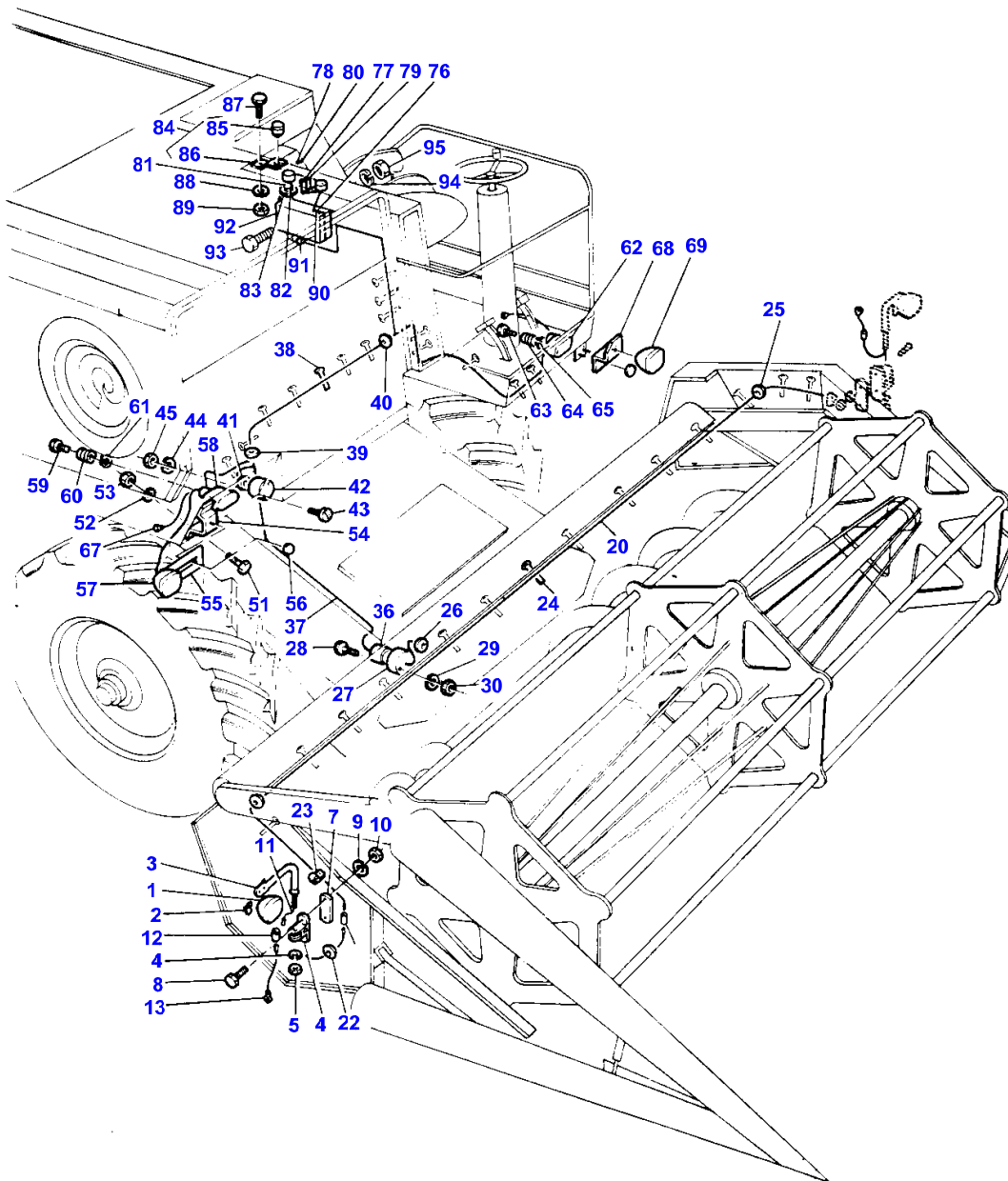
816

ROAD LIGHTS  
ECLAIRAGE DE TRAVAIL  
STRASSENSCHEINWERFER  
LUCI STRADALI  
LUCES DE CARRETERA

FRANCE ONLY  
FRANCE SEULMENT  
NUR FUER FRANKREICH  
SOLO FRANCIA  
SOLAMENTE FRANCH

32833001

3-3283-001-A



**MASSEY FERGUSON**

**MF 520/525 COMBINES - 819611**

819611

**ROAD LIGHTS FRANCE ONLY - UP TO SERIAL NO. 1635**

**816**

Item	Part Number	Qty	Description	Comments
UP TO SERIAL NO. 1635				
1	619413M91	2	Lamp	
2	784643M3	1	Harness	Left Hand
	784644M3	1	Harness	Right Hand
3	784141M91	2	Arm	
4	353439X1	2	Lock Washer	
5	353437X1	2	Nut Unf	
6	785314M91	2	Bracket	
7	785137M1	2	Plate	
8	353792X1	4	Bolt Unf	
9	353446X1	4	Lock Washer	
10	353916X1	4	Nut Unf	
11	784491M2	2	Wire	
12	900288	2	Connector	(A)
13	784490M2	2	Wire	
19	900288	2	Connector	(A)
20	784488M4	1	Harness	Left Hand
21	784485M4	1	Harness	Right Hand
22	787076M1	1	Grommet	
23	360031X1	2	Clip	
24	793550M1	X	Clip	
25	1800028M1	2	Grommet	
26	1800028M1	1	Grommet	
27	409965M1	1	Socket 7 Pin Sup	
28	355132X1	3	Screw Unc	
29	353445X1	3	Lock Washer	
30	354120X1	3	Nut	
36	328547M1	1	Plug	
37	784492M1	1	Harness	
38	793550M1	X	Clip	
39	784157M1	1	Grommet	
40	793620M1	2	Grommet	
41	1800028M1	1	Grommet	
42	409965M1	1	Socket 7 Pin Sup	
43	355132X1	3	Screw Unc	
44	353445X1	3	Lock Washer	
45	354120X1	3	Nut	
51	353516X1	4	Screw Unf	
52	353446X1	4	Lock Washer	
53	353916X1	4	Nut Unf	
54	606903M91	1	Bracket	
55	621982M1	1	Bracket	
56	960970M1	2	Nut	
57	619413M91	1	Lamp	
58	619560M91	1	Holder	
59	963440M2	3	Screw	
60	963441M1	3	Spring	
61	963442M1	3	Circlip	
62	619560M91	1	Holder	
63	963440M2	3	Screw	
64	963441M1	3	Spring	
65	963442M1	3	Circlip	
66	1860181M1	2	Connector	
67	784505M2	2	Wire	
69	619413M91	1	Lamp	
76	784501M5	1	Harness	
77	1855078M1	1	Bulb	
78	1855076M91	1	Lens	
79	1855078M1	2	Bulb	
80	1855077M91	2	Lens	
81	784502M5	1	Harness	
82	881670M1	1	Switch	
83	1604665M1	1	Washer	
84	1808478M1	1	Blinker	
85		1	Blinker	(84) Not serviced, order 1808 478 M1
86	1855187M1	1	Bearer	(84)
87	353970X1	1	Screw Unc	
88	353441X1	1	Lock Washer	

**MASSEY FERGUSON****MF 520/525 COMBINES - 819611****819611****ROAD LIGHTS FRANCE ONLY - UP TO SERIAL NO. 1635****816**

<b>Item</b>	<b>Part Number</b>	<b>Qty</b>	<b>Description</b>	<b>Comments</b>
89	355564X1	1	Nut Unc	
90	1855404M93	5	Wire	
91	1855405M1	1	Harness	
92	784500M2	1	Fuse Box	
93	354198X1	2	Screw Unc	
94	353445X1	2	Lock Washer	
95	354120X1	2	Nut	

(A)  
SUPPLIED BY LUCAS



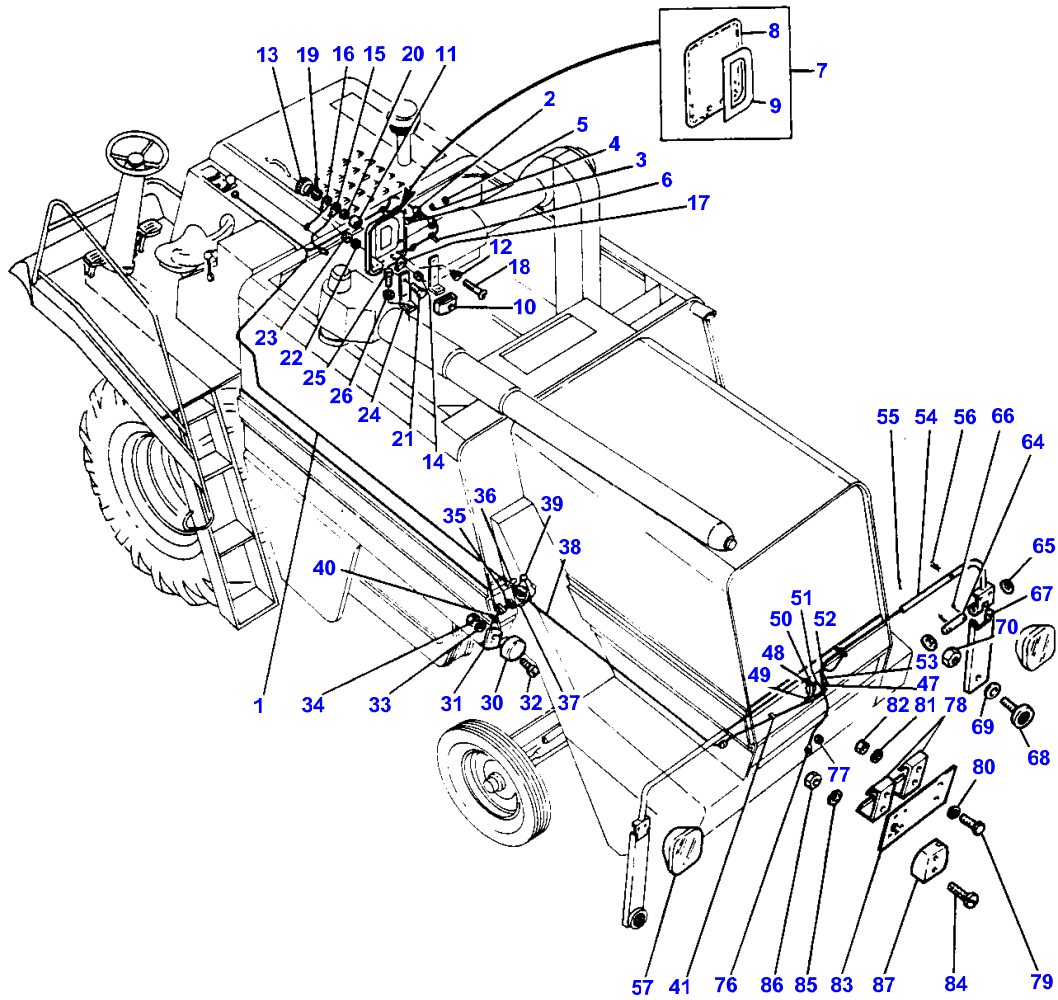
820

ROAD LIGHTS  
ECLAIRAGE DE TRAVAIL  
STRASSENSCHEINWERFER  
LUCI STRADALI  
LUCES DE CARRETERA

FRANCE ONLY  
FRANCE SEULMENT  
NUR FUER FRANKREICH  
SOLO FRANCIA  
SOLAMENTE FRANCH

32833003

3-3283-003-A



ROAD LIGHTS - FRANCE ONLY

Item	Part Number	Qty	Description	Comments
				FRANCE ONLY Up to Serial or Engine Number 1635
1	784502M5	1	Harness	
2	1602229M1	3	Clip	
3	355124X1	3	Screw Unc	
4	353445X1	3	Lock Washer	
5	354120X1	3	Nut	
6	360031X1	4	Clip	
7	914672M91	1	Panel	
8		1	Panel	7 Not serviced, order 914672M91
9	914671M1	1	Emblem	7
10	53837	2	Lamp	(A)
11	785248M1	1	Block	
12	785249M1	1	Block	
13	785429M1	1	Knob	
14	785441M1	2	Spacer	
15	54952106	1	Wire	(A)
17	54950320	1	Wire	(A)
18	785428M1	3	Screw	
19	22427X	3	Lock Washer	
20	785427M1	3	Nut	
21	353502X1	4	Screw Unf	
22	353441X1	44	Lock Washer	
23	353918X1	4	Nut Unf	
24	794306M1	1	Bracket	
25	353515X1	2	Screw Unf	
26	353446X1	2	Lock Washer	
30	409965M1	1	Socket 7 Pin Sup	
31	619573M1	1	Bracket	
32	355132X1	3	Screw Unc	
33	353445X1	3	Lock Washer	
34	353916X1	3	Nut Unf	
35	784508M3	1	Harness	
36	832694M1	1	Clip	
37	850641	4	Connector	(A)
38	784507M3	1	Harness	
39	793620M1	1	Grommet	
40	360031X1	6	Clip	
41	360036X1	1	Clip	
47	900288	3	Connector	(A)
48	850641	1	Connector	(A)
49	784511M2	1	Wire	
50	783553M3	1	Wire	
51	786624M2	1	Wire	
52	783553M3	1	Wire	
53	784512M2	1	Wire	
54	784145M93	1	Arm	
	784146M93	1	Arm	Right Hand
55	354050X1	2	Pin	
56	377268X1	2	Pin	
57	1604185M91	2	Lamp	
58		1	Body	57 Not serviced, order 1604185M91
59	1806422M1	1	Gasket	57
60	1630967M1	1	Lens	Right Hand
				57
60	1630968M1	1	Lens	Left Hand
				57
61	1806421M1	2	Screw	57
62	621235M1	1	Bulb 21w Side	57
				12V.21W
63	621234M1	1	Bulb 5w Festoon	57
				12V.5W
64	184142M2	2	Rod	
65	353754X1	4	Washer	
66	361332X1	4	Pin	
67	784144M1	2	Bearer	
68	962421M2	2	Reflector	
69	391024X1	2	Washer	

**MASSEY FERGUSON  
MF 520/525 COMBINES - 819611**

**819611**

**820**

**ROAD LIGHTS - FRANCE ONLY**

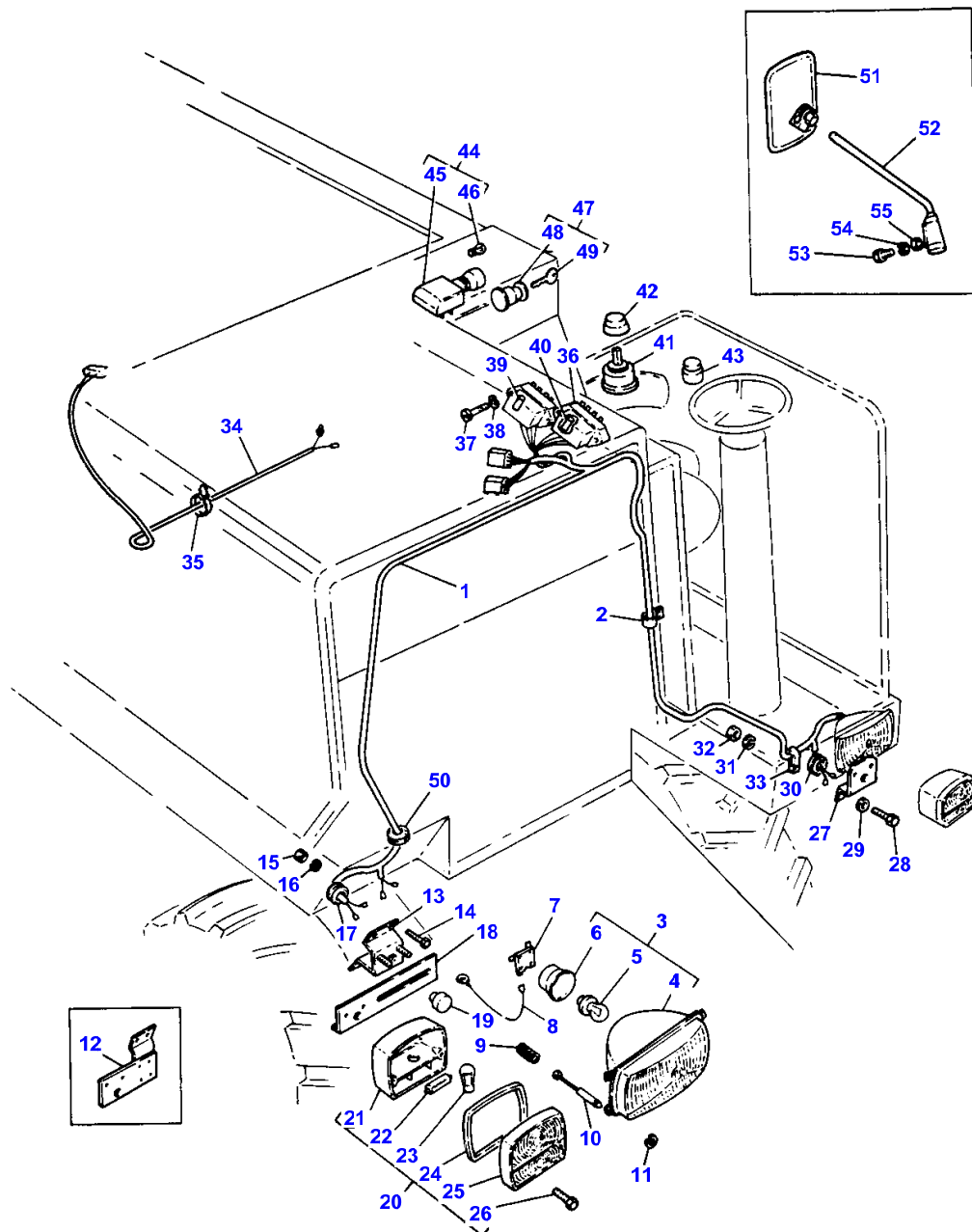
<b>Item</b>	<b>Part Number</b>	<b>Qty</b>	<b>Description</b>	<b>Comments</b>
70	390995X1	2	Nut Metric	
76	785449M2	1	Wire	
77	1800025M1	1	Lens	
78	902837M2	2	Bracket	
79	353518X1	4	Screw Unf	
80	353755X1	4	Washer	
81	353446X1	4	Lock Washer	
82	353916X1	4	Nut Unf	
83	785426M1	1	Plate	
84	354198X1	6	Screw Unc	
85	353445X1	6	Lock Washer	
86	354120X1	6	Nut	
87	53837	1	Lamp	(A) (A) SUPPLIED BY LUCAS

824

ROAD LIGHTS FRONT  
 PHARES AVANTS  
 FAHRSCHENWERFER VORN  
 LUCE STRADALE ANTERIORE  
 LUCES DELANTERAS DE CARRETERA

32853001

3-3285-001-A



PRINTED IN U.K.

820 525

819611-H (1)

**ROAD LIGHTS FRONT - FROM SERIAL NUMBER 5915**

Item	Part Number	Qty	Description	Comments
				FROM SERIAL NUMBER 5915
1	1616900M1	1	Harness	
2	1616919M1	6	Clip	
3	619562M91	2	Holder	
	619560M91	2	Holder	For France only or any text in French only
4		1	Headlamp	(3) Not serviced, order 619 562 M91 /619 560 M91
5	961866M1	1	Bulb H/L 45/40w	(3)
	965465M1	1	Bulb H/L 45/40w	(3)
				For France only or any text in French only
6	962733M1	1	Boot	(3)
7	1860181M1	2	Connector	
8	784505M2	2	Wire	
9	963441M1	6	Spring	
10	963440M2	6	Screw	
11	963442M1	6	Circlip	
12	617684M91	1	Support	Right Hand
13	606903M91	1	Bracket	Right Hand For France only or any text in French only
14	353516X1	4	Screw Unf	
15	353916X1	4	Nut Unf	
16	353446X1	4	Lock Washer	
17	824145M1	1	Grommet	
18	621982M1	1	Bracket	Right Hand For France only or any text in French only
19	960970M1	2	Nut	For France only or any text in French only
20	619413M91	2	Lamp	
21	1806420M1	1	Body	(20)
22	621234M1	1	Bulb 5w Festoon	(20) 12V.
23	621235M1	1	Bulb 21w Side	(20) 12V.21W
24	1806422M1	1	Gasket	(20)
25	1806417M1	1	Lens	(20)
26	1806421M1	2	Screw	(20)
27	617817M1	1	Support	Left Hand
	617688M1	1	Support	Left Hand For Germany only or any text in German only
28	353502X1	2	Screw Unf	
29	353754X1	2	Washer	
30	824145M1	1	Grommet	
31	353441X1	2	Lock Washer	
32	353918X1	2	Nut Unf	
33	1616918M1	1	Clip	
34	1616902M1	1	Harness	
35	793550M1	5	Clip	
36	37420	2	Fuse Box	(A)
37	355128X1	4	Screw Unc	
38	353445X1	4	Lock Washer	
39	188215	8	Fuse	(A)
40	1887053M1	4	Fuse	
41	884297M1	1	Switch	
42	882284M1	1	Knob	
43	787573M91	1	Switch	
44	1671544M1	1	Switch	
45		1	Switch	(44) Not serviced, order 1671 544 M1
46	1718899M1	1	Bulb	(44)
47	35755D	1	Switch	(A)
48		1	Switch	(47) Not serviced, order 35755D
49	883930M1	1	Ignition Key	(47)
50	795637M1	2	Grommet	
51	1855820M2	1	Mirror	For Germany only or any text in German only
52	1885777M91	1	Arm	For Germany only or any text in German only
53	353501X1	2	Screw Unf	For Germany only or any text in German only
54	353441X1	2	Lock Washer	For Germany only or any text in German only
55	355617X1	2	Washer	For Germany only or any text in German only

**MASSEY FERGUSON**

**MF 520/525 COMBINES - 819611**

**819611**

**ROAD LIGHTS FRONT - FROM SERIAL NUMBER 5915**

**824**

Item	Part Number	Qty	Description	Comments
------	-------------	-----	-------------	----------

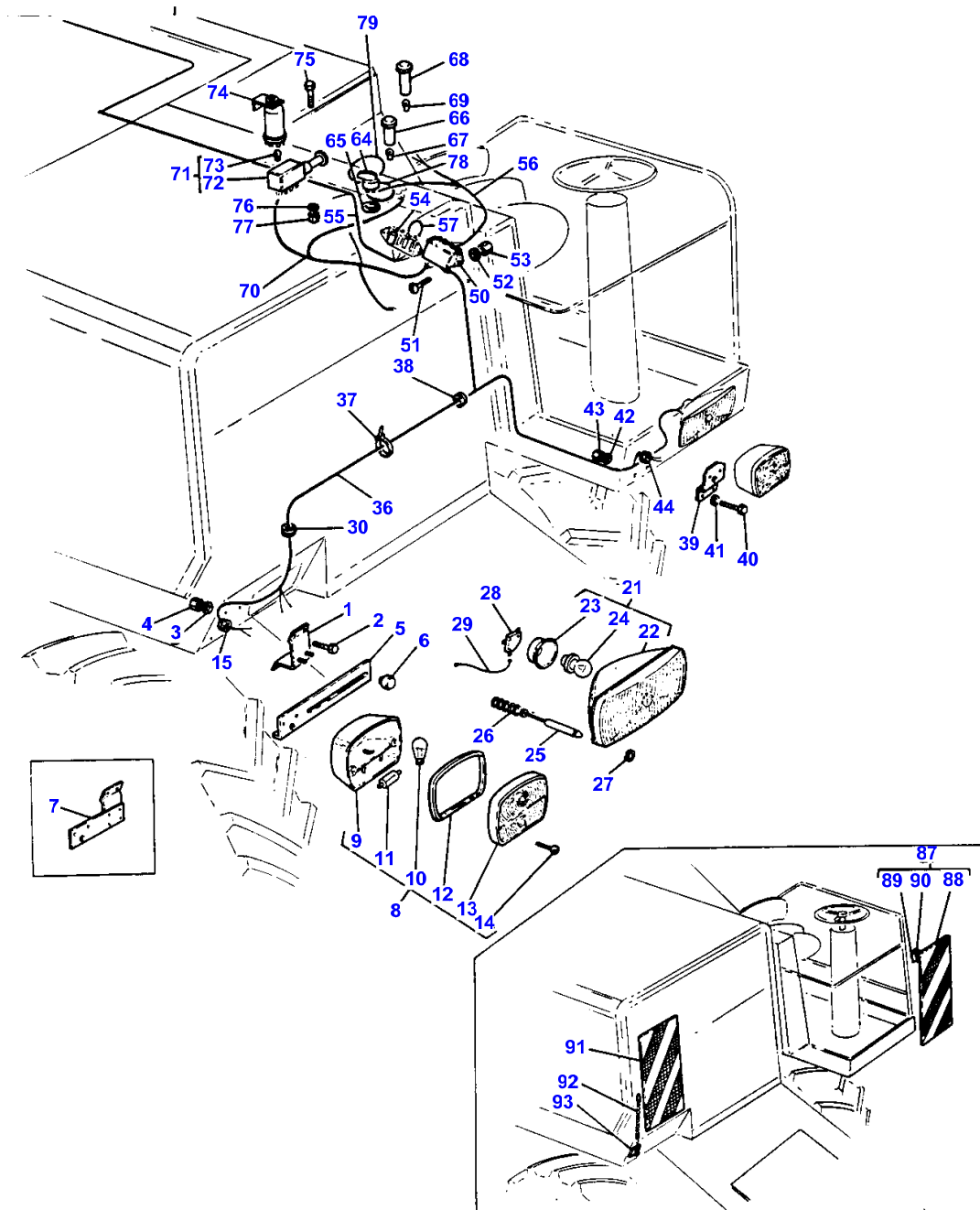
				(A) SUPPLIED BY LUCAS
--	--	--	--	--------------------------

828

ROAD LIGHTS FRONT  
 PHARES AVANTS  
 FAHRSCHENWERFER VORN  
 LUCE STRADALE ANTERIORE  
 LUCES DELANTERAS DE CARRETERA

32853002

3-3285-002-A



PRINTED IN U.K.

520 525

819611-H (1)

**MASSEY FERGUSON**

**MF 520/525 COMBINES - 819611**

**819611**

**ROAD LIGHTS FRONT - FROM SERIAL NUMBER 1635 UP TO SERIAL NUMBER 5915 FRANCE AND GERMANY ONLY**

**828**

Item	Part Number	Qty	Description	Comments
				FROM SERIAL NUMBER 1635 UP TO SERIAL NUMBER 5915 FRANCE AND GERMANY ONLY
1	606903M91	1	Bracket	Right Hand For France only or any text in French only
2	353516X1	4	Screw Unf	
3	353446X1	4	Lock Washer	
4	353916X1	4	Nut Unf	
5	621982M1	1	Bracket	Right Hand For France only or any text in French only
6	960970M1	2	Nut	For France only or any text in French only
7	617684M91	1	Support	Right Hand For Germany only or any text in German only
8	619413M91	2	Lamp	
9	1806420M1	1	Body	(8)
10	621235M1	1	Bulb 21w Side	(8) 12V. 21W.
11	621234M1	1	Bulb 5w Festoon	(8)  12V. 5W.
12	1806422M1	1	Gasket	(8)
13	1806417M1	1	Lens	(8)
14	1806421M1	2	Screw	(8)
15	824145M1	1	Grommet	
21	619560M91	2	Holder	For France only or any text in French only
	619562M91	2	Holder	For Germany only or any text in German only
22		1	Headlamp	(21) Not serviced, order 619 560 M91/
23	962733M1	1	Boot	(21)
24	965465M1	1	Bulb H/L 45/40w	(21)
24	961866M1	1	Bulb H/L 45/40w	For France only or any text in French only (21)  For Germany only or any text in German only
25	963440M2	6	Screw	
26	963441M1	6	Spring	
27	963442M1	6	Circlip	
28	1860181M1	2	Connector	
29	784505M2	2	Wire	
30	795637M1	1	Grommet	
36	617689M3	1	Harness	
37	793550M1	15	Clip	
38	795637M1	1	Grommet	
39	617817M1	1	Support	Left Hand For France only or any text in French only
39	617688M1	1	Support	Left Hand For Germany only or any text in German only
40	353502X1	2	Screw Unf	
41	353754X1	2	Washer	
42	353441X1	2	Lock Washer	
43	353918X1	2	Nut Unf	
44	824145M1	1	Grommet	
50	784500M2	1	Fuse Box	Up to Serial or Engine Number 2017
	37420	2	Fuse Box	(A) From Serial or Engine Number 2017
51	355128X1	4	Screw Unc	
52	353445X1	4	Lock Washer	
53	354120X1	4	Nut	
54	1895731M1	1	Fuse	Up to Serial or Engine Number 2017
	1855244M1	1	Fuse	Up to Serial or Engine Number 2017 16AMP.
	188217	3	Fuse	(A) From Serial or Engine Number 2017
54	188215	2	Fuse	(A) From Serial or Engine Number 2017
54	1887053M1	3	Fuse	From Serial or Engine Number 2017
55	784502M5	1	Harness	For France only or any text in French only
	1615477M3	1	Harness	For Germany only or any text in German only
56	784501M5	1	Harness	
57	1855404M93	1	Wire	



**MASSEY FERGUSON****MF 520/525 COMBINES - 819611****819611****ROAD LIGHTS FRONT - FROM SERIAL NUMBER 1635 UP TO SERIAL NUMBER 5915 FRANCE AND GERMANY ONLY****828**

Item	Part Number	Qty	Description	Comments
64	881670M1	1	Switch	
65	1604665M1	1	Washer	
66	1855076M91	1	Lens	
67	1855078M1	1	Bulb	
68	1855077M91	2	Lens	
69	1855078M1	2	Bulb	
70	617691M3	1	Harness	
71	908267M2	1	Switch	
72		1	Switch	(71) Not serviced, order 908 267 M2
73	1807093M1	1	Bulb	(71)
74	1808478M1	1	Blinker	
75	353970X1	1	Screw Unc	
76	353441X1	1	Lock Washer	
77	355564X1	1	Nut Unc	
78	617712M3	1	Wire	
79	606916M3	2	Wire	
87	606997M91	1	Plate	Left Hand For Germany only or any text in German only
88		1	Plate	(87) Not serviced, order 606 997 M91
89	338629X1	1	Clip	(87)
90	19857X	1	Rivet	(87)
91	617493M92	1	Plate	Right Hand For Germany only or any text in German only
92	902887M2	1	Support	For Germany only or any text in German only
93	617497M1	1	Bracket	For Germany only or any text in German only

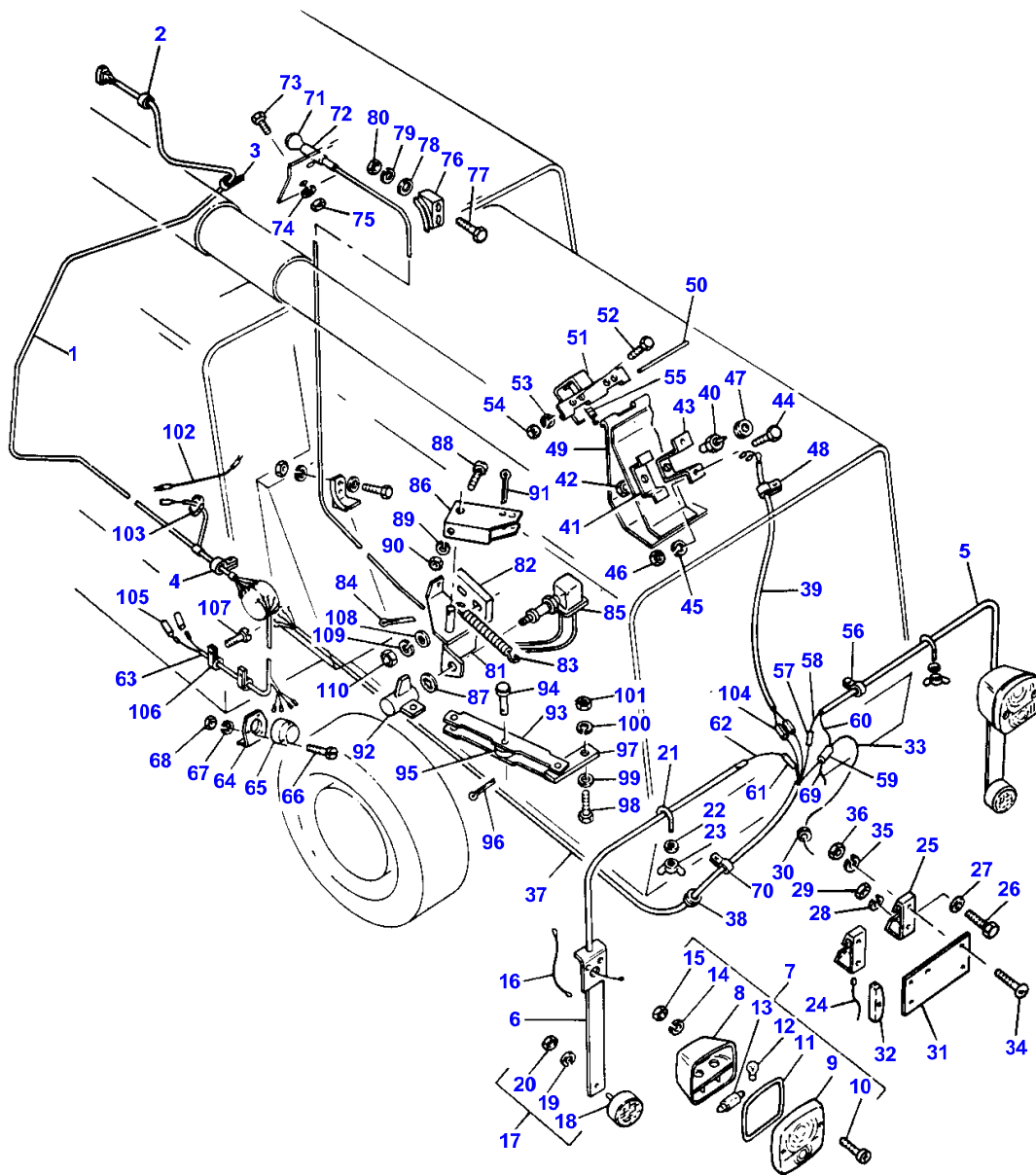
(A)  
SUPPLIED BY LUCAS

832

REAR LIGHTS AND ALARMS  
 ECLAIRAGE ARRIERE ET AVERTISSEUR  
 BELEUCHTUNG HINTER UND SIGNALHORN  
 ILLUMINAZIONE POSTERIORE E L'ALLARME  
 EQUIPO DE FAROS TRASERAS Y BOCINA

32863001

3-3286-001-A



PRINTED IN U.K.

520 525

819611-H (1)

REAR LIGHTS AND ALARMS

Item	Part Number	Qty	Description	Comments
				From Serial or Engine Number 5915
1	1616903M1	1	Harness	
2	1616915M1	1	Protector	
3	1616920M1	1	Clip	
4	1616919M1	2	Clip	
5	1616006M91	1	Arm	Right Hand For Germany only or any text in German only
5	617730M91	1	Arm	Right Hand Without or not For Germany only or any text in German only
6	1616007M91	1	Arm	Left Hand For Germany only or any text in German only
6	617729M91	1	Arm	Left Hand Without or not For Germany only or any text in German only
7	1604185M91	2	Lamp	
8		1	Lamp	7 Not serviced, order 1604185M91
9	1639076M1	1	Lens	7
10	1806421M1	2	Screw	7
11	1806422M1	1	Gasket	7
12	621235M1	1	Bulb 21w Side	7 12V. 21W.
13	621234M1	1	Bulb 5w Festoon	7 12V. 5W.
14	391024X1	2	Washer	7
15	390995X1	2	Nut Metric	7
16	783546M3	2	Wire	
17	416085M1		Reflector	
18		2	Reflector	17 Not serviced, order 416085M1
19	391024X1	1	Washer	17
20	390995X1	1	Nut Metric	17
21	617706M1	2	Clip	
22	391025X1	2	Lock Washer	
23	339106X1	2	Nut Metric	
24	785449M2	1	Wire	Without or not For Germany only or any text in German only
25	902837M2	2	Bracket	Without or not For Germany only or any text in German only
26	353518X1	4	Screw Unf	Without or not For Germany only or any text in German only
27	353755X1	4	Washer	Without or not For Germany only or any text in German only
28	353446X1	4	Lock Washer	Without or not For Germany only or any text in German only
29	353916X1	4	Nut Unf	Without or not For Germany only or any text in German only
30	861906	1	Grommet	(A)
31	785426M1	1	Plate	Without or not For Germany only or any text in German only
32	53837	1	Lamp	(A) Without or not For Germany only or any text in German only
33	786624M2	1	Wire	Without or not For Germany only or any text in German only
34	354198X1	6	Screw Unc	
35	353445X1	6	Lock Washer	
36	354120X1	6	Nut	
37	1616905M1	1	Harness	
38	377132X1	2	Grommet	
39	1615041M3	1	Harness	
40	39121	1	Switch	(A)
41	914974M1	1	Bracket	
42	377057X1	1	Nut	
43	785921M91	1	Bracket	
44	353516X1	2	Screw Unf	
45	353446X1	2	Lock Washer	
46	353916X1	2	Nut Unf	
47	210280M1	1	Grommet	

REAR LIGHTS AND ALARMS

Item	Part Number	Qty	Description	Comments
48	360037X1	1	Clamp	
49	914782M91	1	Flap	
50	785708M1	3	Rod	
51	785919M92	3	Hinge	
52	353516X1	6	Screw Unf	
53	353446X1	6	Lock Washer	
54	353916X1	6	Nut Unf	
55	14581A	3	Spring	
56	354050X1	2	Pin	
57	900288	1	Connector	(A)
58	784511M2	1	Wire	
59	850641	1	Connector	(A)
60	783553M3	1	Wire	
61	900288	1	Connector	(A)
62	784512M2	1	Wire	
63	1616904M1	1	Harness	
64	619573M1	1	Bracket	
65	409965M1	1	Socket 7 Pin Sup	
66	355130X1	3	Screw Unc	
67	353445X1	3	Lock Washer	
68	354120X1	3	Nut	
69	783553M3	1	Wire	
70	1616919M1	1	Clip	
71	240760M1	1	Cable	
72	912658M91	1	Guide	
73	353501X1	2	Screw Unf	
74	353441X1	2	Lock Washer	
75	353918X1	2	Nut Unf	
76	240764M1	2	Guide	
77	353503X1	4	Screw Unf	
78	353754X1	4	Washer	
79	353441X1	4	Lock Washer	
80	353918X1	4	Nut Unf	
81	240766M91	1	Bracket	
82	1615888M2	4	Shim	
83	Z250	1	Spring	
84	354048X1	1	Pin	
85	784697M91	1	Switch	
86	240771M1	1	Arm	
87	359404X1	1	Lock Washer	
88	353973X1	1	Screw Unc	
89	353441X1	1	Lock Washer	
90	355564X1	1	Nut Unc	
91	354061X1	1	Pin	
92	240765M1	1	Fork	
93	796215M1	1	Lever	
94	832297M1	3	Clevis Pin	
95	1616976M1	1	Spacer	
96	354039X1	3	Cotter	
97	230886M1	1	Strap	
98	353517X1	1	Screw Unf	
99	353755X1	1	Washer	
100	353446X1	1	Lock Washer	
101	353916X1	1	Nut Unf	
102	785274M2	1	Wire	
103	793550M1	1	Clip	
104	8506412		Connector	(A)
105	900288	2	Connector	(A)
106	1616917M1	2	Clip	
107	785906M1	1	Screw	
108	353755X1	2	Washer	
109	353446X1	2	Lock Washer	
110	355565X1	2	Nut Unc	

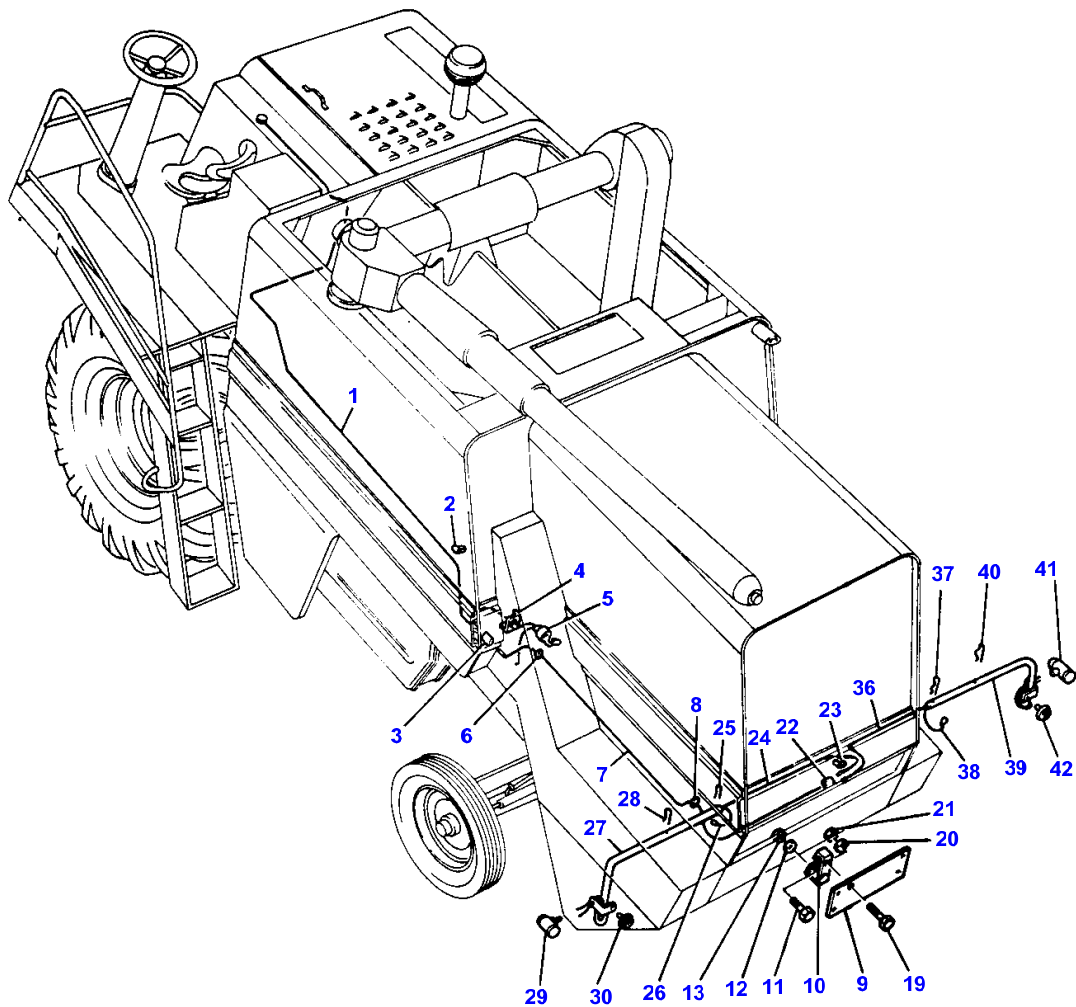
(A)  
SUPPLIED BY LUCAS

838

ROAD LIGHTS REAR  
 PHARES ARRIERES  
 RUECKLEUCHTEN  
 LUCE STRADALE POSTERIORE  
 LUCES TRASERAS DE CARRETERA

32903001

3-3290-001-A



PRINTED IN U.K.

520 525

819611-H (1)

ROAD LIGHTS REAR - REAR-UK ONLY-TO SERIAL NO 2017

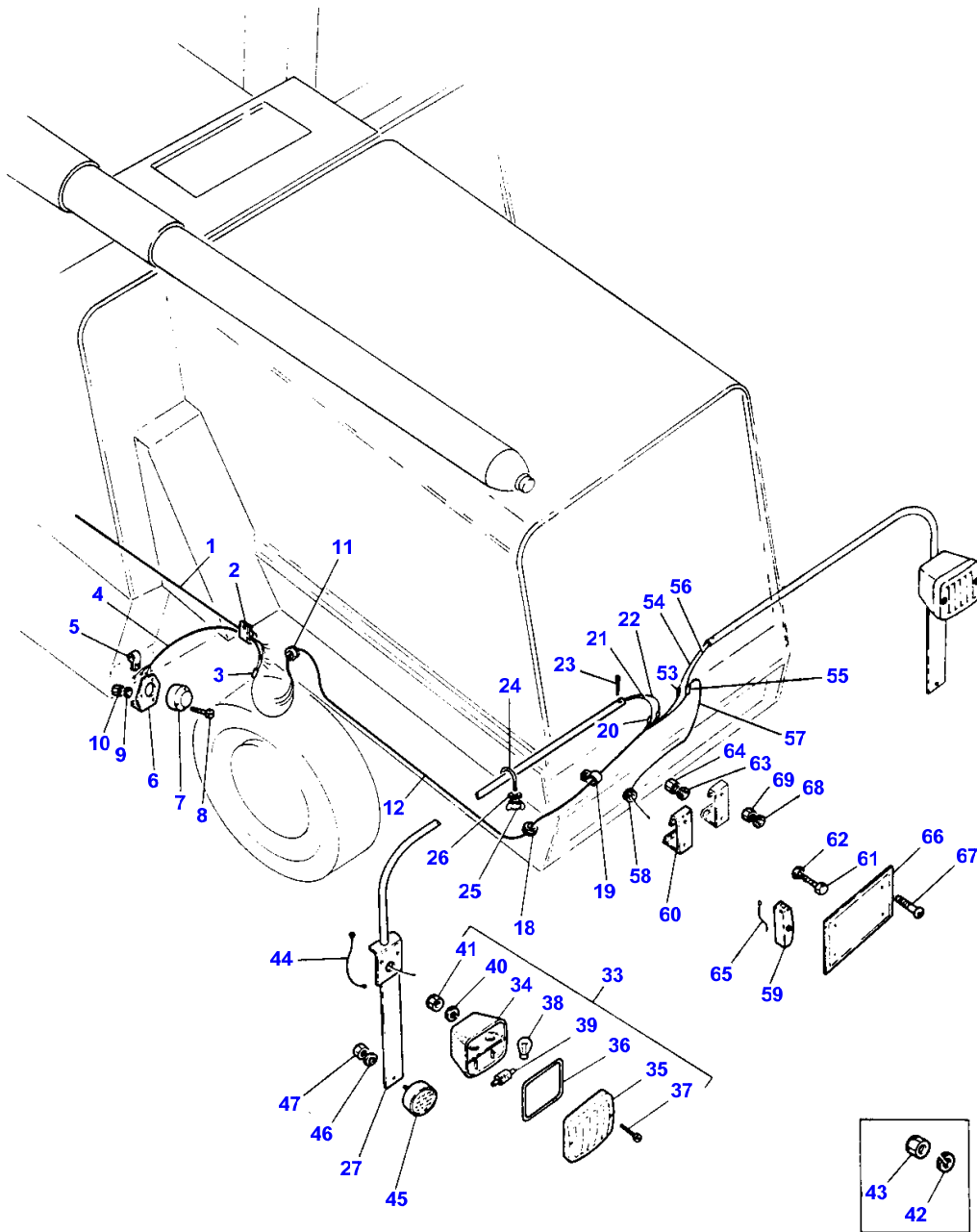
Item	Part Number	Qty	Description	Comments
				REAR-UK ONLY-TO SERIAL NO 2017
1	783550M1	1	Wire	
2	360031X1	1	Clip	
3	850641	1	Connector	(A)
4	1855598M1	1	Bracket	
5	82030	1	Connector	(A)
6	377132X1	1	Grommet	
7	1855229M1	1	Wire	
8	377132X1	1	Grommet	
9	785426M1	1	Plate	
10	902837M2	2	Bracket	
11	353518X1	4	Screw Unf	
12	353755X1	4	Washer	
13	353916X1	4	Nut Unf	
19	354198X1	4	Screw Unc	
20	22427X	4	Lock Washer	
21	354120X1	4	Nut	
22	850641	1	Connector	(A)
23	360031X1	2	Clip	
24	783553M3	1	Wire	
25	354050X1	1	Pin	
26	575355	1	Reflector	(A)
27	783429M93	1	Arm	
28	377268X1	1	Pin	
29	882380M91	1	Lamp	
30	575355	1	Reflector	(A) Left Hand
36	783553M3	1	Wire	
37	354050X1	1	Pin	
38	1855255M1	1	Wire	
39	783431M93	1	Arm	Right Hand
40	377268X1	1	Pin	Right Hand
41	882380M91	1	Lamp	(A)
42	575355	1	Reflector	(A) Right Hand
				(A) SERVICED BY LUCAS

840

ROAD LIGHTS REAR  
 PHARES ARRIERES  
 RUECKLEUCHTEN  
 LUCE STRADALE POSTERIORE  
 LUCES TRASERAS DE CARRETERA

32903002

3-3290-002-A



PRINTED IN U.K.

520 525

819611-H (1)

Item	Part Number	Qty	Description	Comments
				U.K.ONLY-FROM SERIAL NO 2017
1	1615477M3	1	Harness	
2	1706672M1	1	Clip	
3	850641	1	Connector	(D)
4	784508M3	1	Harness	
5	360037X1	4	Clamp	
6	619573M1	1	Bracket	
7	409965M1	1	Socket 7 Pin Sup	
8	355130X1	3	Screw Unc	
9	353445X1	3	Lock Washer	
10	354120X1	3	Nut	
11	377132X1	1	Grommet	
12	784507M3	1	Harness	
18	377132X1	1	Grommet	
19	360036X1	1	Clip	
20	900288	2	Connector	(D)
21	783553M3	1	Wire	
22	784512M2	1	Wire	
23	354050X1	2	Pin	
24	617706M1	2	Clip	
25	339106X1	2	Nut Metric	
26	391025X1	2	Lock Washer	
27	617729M91	1	Arm	
	617730M91	1	Arm	
33	621240M91	2	Lamp	(A)
				Up to Serial or Engine Number 3533
33	1604185M91	2	Lamp	From Serial or Engine Number 3533
34		1	Body	(33)
				Not serviced, order 1604185M91
35	1807201M1	1	Lens	(33)
				(B)
35	1639076M1	1	Lens	(33)
				(C)
36	1806422M1	1	Gasket	(33)
37	1806421M1	2	Screw	(33)
38	621235M1	1	Bulb 21w Side	(33)
39	621234M1	1	Bulb 5w Festoon	(33)
40	391024X1	2	Washer	(33)
				(C)
41	390995X1	2	Nut Metric	(33)
				(C)
42	391024X1	4	Washer	(B)
43	390995X1	4	Nut Metric	(B)
44	783546M3	2	Wire	
45	962421M2	2	Reflector	
46	391024X1	2	Washer	
47	390995X1	2	Nut Metric	
53	900288	1	Connector	(D)
54	784511M2	1	Wire	
55	850641	1	Connector	(D)
56	783553M3	1	Wire	
57	786624M2	1	Wire	
58	824145M1	1	Grommet	
59	785411M91	1	Light	
60	902837M2	2	Bracket	
61	353518X1	4	Screw Unf	
62	353755X1	4	Washer	
63	353446X1	4	Lock Washer	
64	353916X1	4	Nut Unf	
65	785449M2	1	Wire	
66	785426M1	1	Plate	
67	354198X1	4	Screw Unc	
68	353445X1	4	Lock Washer	
69	354120X1	4	Nut	

(A)  
NO LONGER SERVICED ORDER 1604185M91

(B)



**MASSEY FERGUSON  
MF 520/525 COMBINES - 819611**

**819611**

**ROAD LIGHTS REAR - U.K.ONLY-FROM SERIAL NO 2017**

**840**

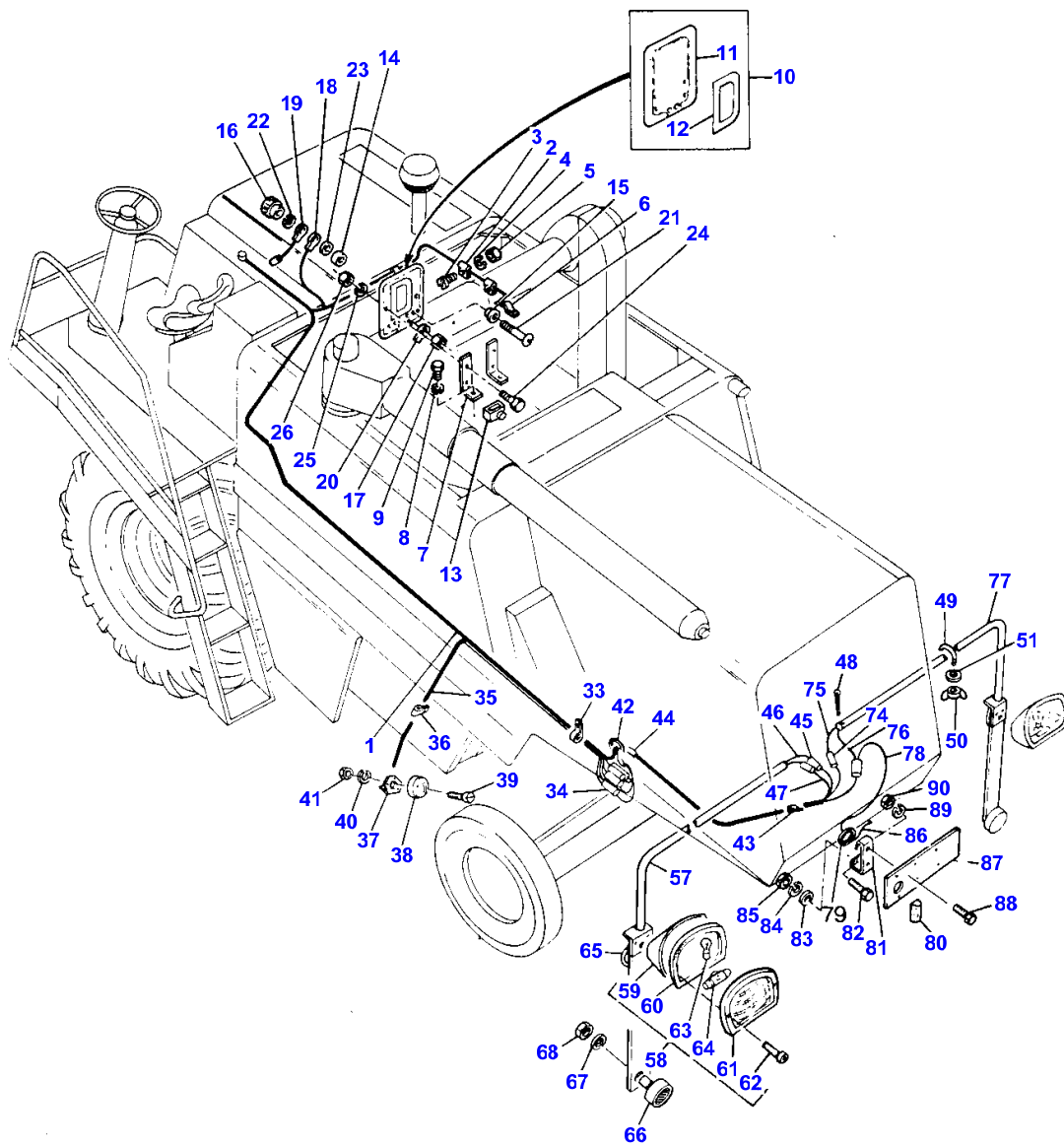
Item	Part Number	Qty	Description	Comments
				USE ONLY WITH 621240M91
				(C) USE ONLY WITH 1604185M91
				(D) SERVICED BY LUCAS

844

ROAD LIGHTS REAR  
 PHARES ARRIERES  
 RUECKLEUCHTEN  
 LUCE STRADALE POSTERIORE  
 LUCES TRASERAS DE CARRETERA

32903005

3-3290-005-A



PRINTED IN U.K.

520 525

819611-H (1)

**ROAD LIGHTS REAR - FRANCE & GERMANY FROM SER.NO 1635 TO SER.NO5915**

Item	Part Number	Qty	Description	Comments
				FRANCE & GERMANY FROM SER.NO 1635 TO SER.NO5915
1	784502M5	1	Harness	For France only or any text in French only
	1615477M3	1	Harness	For Germany only or any text in German only
2	1602229M1	3	Clip	For France only or any text in French only
3	355124X1	3	Screw Unc	For France only or any text in French only
4	353445X1	3	Lock Washer	For France only or any text in French only
5	354120X1	3	Nut	For France only or any text in French only
6	360031X1	4	Clip	For France only or any text in French only
7	794306M1	2	Bracket	For France only or any text in French only
8	353515X1	2	Screw Unf	For France only or any text in French only
9	353446X1	2	Lock Washer	For France only or any text in French only
10	914672M91	1	Panel	For France only or any text in French only
11		1	Panel	(10) Not serviced, order 914 672 M91
12	914671M1	1	Emblem	(10)
13	785411M91	2	Light	(A) For France only or any text in French only
14	785248M1	1	Block	For France only or any text in French only
15	785249M1	1	Block	For France only or any text in French only
16	785429M1	1	Knob	For France only or any text in French only
17	785441M1	2	Spacer	For France only or any text in French only
18	54952106	1	Wire	(A) For France only or any text in French only
19	54952111	1	Wire	(A) For France only or any text in French only
20	54950320	2	Wire	(A) For France only or any text in French only
21	785428M1	3	Screw	For France only or any text in French only
22	785427M1	3	Nut	For France only or any text in French only
23	22427X	3	Lock Washer	For France only or any text in French only
24	785430M92	1	Plate	For France only or any text in French only
25	353502X1	4	Screw Unf	For France only or any text in French only
26	353441X1	4	Lock Washer	For France only or any text in French only
27	353918X1	4	Nut Unf	For France only or any text in French only
33	1706672M1	1	Clip	
34	850641	4	Connector	(A)
35	784508M3	1	Harness	
36	360037X1	6	Clamp	
37	619573M1	1	Bracket	
38	409965M1	1	Socket 7 Pin Sup	
39	355130X1	3	Screw Unc	
40	353445X1	3	Lock Washer	
41	354120X1	3	Nut	
42	377132X1	2	Grommet	
43	360036X1	1	Clip	
44	784507M3	1	Harness	
45	900288	2	Connector	(A)
46	783553M2	1	Cable	
47	784512M2	1	Wire	
48	354050X1	2	Pin	
49	617706M1	2	Clip	
50	339106X1	2	Nut Metric	
51	391025X1	2	Lock Washer	
57	617729M91	1	Arm	For France only or any text in French only Left Hand
57	1616007M91	1	Arm	For Germany only or any text in German only Left Hand
58	621240M91	2	Lamp	(B) Up to Serial or Engine Number 3533
58	1604185M91	2	Lamp	From Serial or Engine Number 3533
59		1	Lamp	(58)
60	1806422M1	1	Gasket	(58)
61	1807201M1	1	Lens	(58)
62	1806421M1	2	Screw	(58)
63	621235M1	2	Bulb 21w Side	(58)
64	621234M1	2	Bulb 5w Festoon	(58)
65	783546M3	2	Wire	
66	962421M2	2	Reflector	For France only or any text in French only
	416085M1		Reflector	For Germany only or any text in German only

ROAD LIGHTS REAR - FRANCE & GERMANY FROM SER.NO 1635 TO SER.NO5915

Item	Part Number	Qty	Description	Comments
67	391024X1	2	Washer	
68	390995X1	2	Nut Metric	
74	900288	3	Connector	(A)
75	784511M2	1	Wire	
76	783553M3	1	Wire	
77	617730M91	1	Arm	For France only or any text in French only Right Hand
77	1616006M91	1	Arm	For Germany only or any text in German only Right Hand
78	786624M2	1	Wire	For France only or any text in French only
79	824145M1	1	Grommet	For France only or any text in French only
80	785411M91	1	Light	(A) For France only or any text in French only
81	902837M2	2	Bracket	For France only or any text in French only
82	353518X1	4	Screw Unf	For France only or any text in French only
83	353755X1	4	Washer	For France only or any text in French only
84	353446X1	4	Lock Washer	For France only or any text in French only
85	353916X1	4	Nut Unf	For France only or any text in French only
86	785449M2	1	Wire	For France only or any text in French only
87	785426M1	1	Plate	For France only or any text in French only
88	354198X1	6	Screw Unc	For France only or any text in French only
89	353445X1	6	Lock Washer	For France only or any text in French only
90	354120X1	6	Nut	For France only or any text in French only

(A)  
SERVICED BY LUCAS

(B)  
NO LONGER SERVICED,ORDER 1604 185 M91

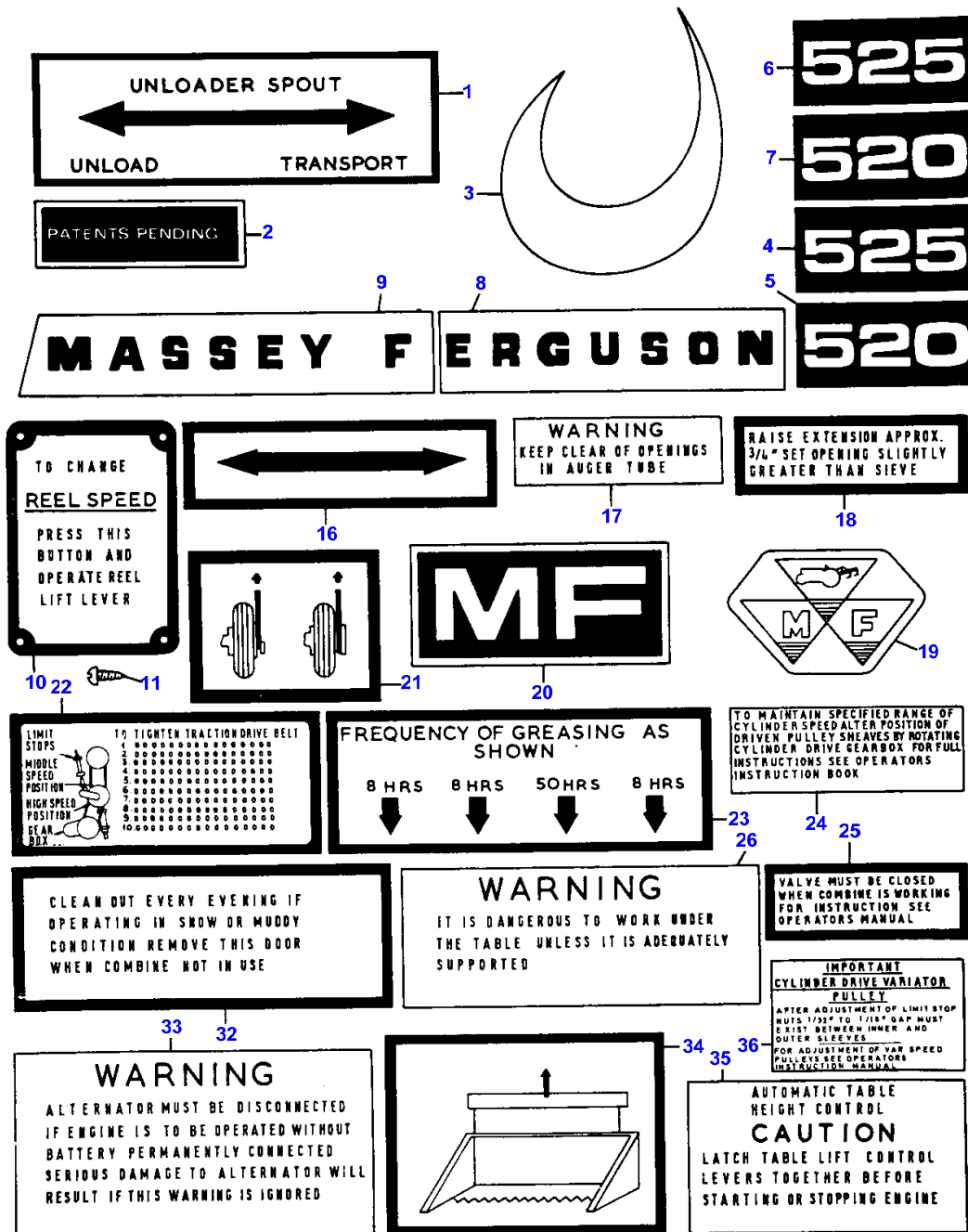
850

TRANSFERS  
 DECALCOMANIE  
 ABZIEHBILD  
 DECALCOMANIA  
 CALCOMANIAS

ENGLISH  
 ANGLAIS  
 ENGLISH  
 INGLESE  
 INGLES

33383001

3-3336-001-A



PRINTED IN U.K.

520 525

819611-H (1)

TRANSFERS-ENGLISH

Item	Part Number	Qty	Description	Comments
1	787597M1	1	Decal	
2	196162M1	1	Decal	
3	784624M1	1	Decal	
4	783538M1	1	Emblem	Up to Serial or Engine Number 2209
	3043266M1	1	Transfer	From Serial or Engine Number 2209
5	619229M1	1	Emblem	Up to Serial or Engine Number 2209
	3043265M1	1	Transfer	From Serial or Engine Number 2209
6	784766M1	1	Emblem	Left Hand
				Up to Serial or Engine Number 2209
6	784770M1	1	Emblem	Right Hand
				Up to Serial or Engine Number 2209
6	1615900M1	2	Emblem	From Serial or Engine Number 2209
7	784765M1	1	Emblem	Left Hand
				Up to Serial or Engine Number 2209
7	784769M1	1	Emblem	Right Hand
				Up to Serial or Engine Number 2209
7	1615909M1	2	Emblem	From Serial or Engine Number 2209
8	784763M1	1	Emblem	Left Hand
				Up to Serial or Engine Number 2209
8	784773M1	1	Emblem	Right Hand
				Up to Serial or Engine Number 2209
8	1615951M1	2	Emblem	From Serial or Engine Number 2209
9	784762M1	1	Emblem	Left Hand
				Up to Serial or Engine Number 2209
9	784764M1	1	Emblem	Right Hand
				Up to Serial or Engine Number 2209
9	1615913M1	2	Emblem	From Serial or Engine Number 2209
10	791950M1	1	Plate	
11	360359X1	4	Screw	
16	784809M1	1	Decal	
17	794781M1	1	Decal	
18	794404M1	1	Decal	
19	793611M1	1	Decal	Up to Serial or Engine Number 2209
	793610M1	1	Decal	Up to Serial or Engine Number 2209
20	1615911M1	2	Emblem	From Serial or Engine Number 2209
21	794989M1	2	Decal	
22	1616773M2	1	Decal	
23	794569M1	1	Decal	
24	794656M1	1	Decal	
25	787603M1	1	Decal	
26	793196M1	2	Decal	
32	792272M1	2	Decal	
33	784712M1	1	Decal	
34	787834M2	1	Decal	
35	796069M1	1	Decal	
36	794454M1	1	Decal	

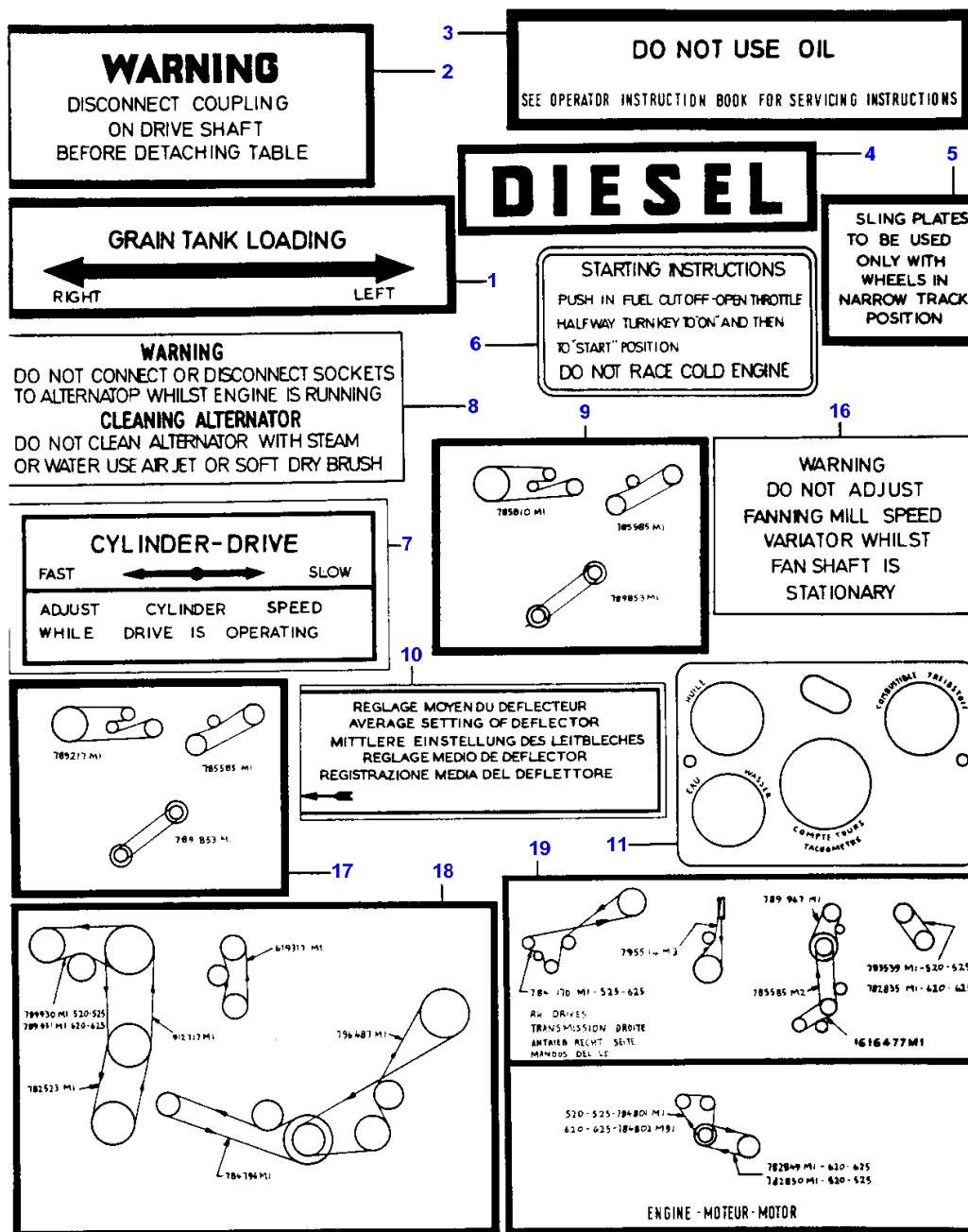
852

TRANSFERS  
DECALCOMANIE  
ABZIEHBILD  
DECALCOMANIA  
CALCOMANIAS

ENGLISH  
ANGLAIS  
ENGLISCH  
INGLESE  
INGLES

33363003

3-3336-003-C



PRINTED IN U.K.

520 525

810011-H (1)

TRANSFERS-ENGLISH

Item	Part Number	Qty	Description	Comments
1	784805M1	1	Decal	
2	783004M1	1	Decal	
3	786914M1	1	Decal	
4	786034M1	1	Emblem	
5	792403M1	2	Decal	
6	785545M1	1	Decal	
7	1855030M1	1	Decal	
8	1855645M1	1	Decal	
9	783171M1	1	Decal	
10	1616379M1	1	Decal	
11	784088M1	1	Decal	Up to Serial or Engine Number 5915
	1616912M1	1	Decal	From Serial or Engine Number 5915
16	793197M1	1	Decal	
17	789934M2	1	Decal	
18	783525M3	1	Decal	
19	783526M3	1	Transfer	



854

TRANSFERS  
DECALCOMANIE  
ABZIEHBILD  
DECALCOMANIA  
CALCOMANIAS

ENGLISH  
ANGLAIS  
ENGLISH  
INGLESE  
INGLES

33363005

3-3336-005-C

**HARVEST CHART**

CROP	1	2	3	4	5	6	7	8	9	10	11	12	13	14	15	16	17	18	19	20	21	22	23	24	25	26	27	28	29	30
WHEAT																														
OATS																														
BARLEY																														
RYE																														
LINSEED																														
BEANS																														
PEAS																														
CLOVERS																														
RYEGRASS																														
TIMOTHY																														
MUSTARD																														
RAPE																														

THESE SETTINGS ARE FOR GUIDANCE ONLY. THEY REPRESENT THE BEST STARTING POINT FOR CROPS AND CONDITIONS LISTED. REFER TO OPERATOR'S INSTRUCTION BOOK FOR FURTHER INFORMATION.

**WARNING**  
NEGATIVE EARTH ELECTRICAL SYSTEM BATTERY LEADS MUST NOT BE REMOVED OR REVERSED WHILST ENGINE IS RUNNING  
STARTING USING ADDITIONAL SLAVE BATTERY CONNECT SLAVE BATTERY IN PARALLEL (TERMINALS + TO + AND - TO -) A BATTERY MUST REMAIN CONNECTED WHILST ENGINE IS RUNNING TO AVOID DAMAGE TO ALTERNATOR

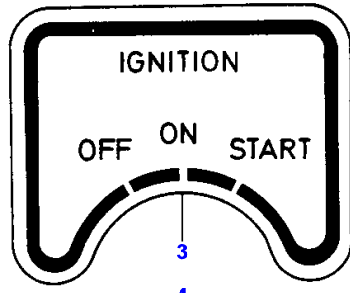
**TORQUE REAR WHEEL STUDS TO 160 - 170 LB. FT.**

**HARVEST CHART**

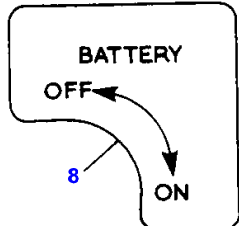
CROP	1	2	3	4	5	6	7	8	9	10	11	12	13	14	15	16	17	18	19	20	21	22	23	24	25	26	27	28	29	30
BARLEY																														
WHEAT																														
OATS																														
RAPE																														
FLAX																														
MAIZE																														
SOY BEANS																														
PEAS																														

THESE SETTINGS ARE FOR GUIDANCE ONLY. THEY REPRESENT THE BEST STARTING POINT FOR CROPS AND CONDITIONS LISTED. REFER TO OPERATOR'S INSTRUCTION BOOK FOR FURTHER INFORMATION.

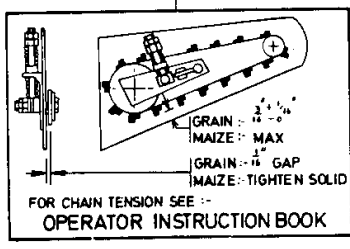
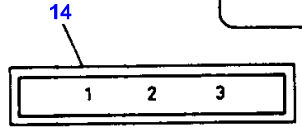
**TRACTION DRIVE BELT**  
RE-ESTABLISH TENSION AFTER 50H AND 300H



**WARNING**  
KEEP THE IGNITION KEY IN YOUR POCKET IF YOU HAVE TO WORK INSIDE UNDER OR AROUND THE MACHINE



**REEL SPEED**  
FAST - SLOW



**SUPER II**

**SUPER II**

**TABLE SAFETY CLUTCH**  
PUSH TO DISENGAGE

PRINTED IN U.K.

520 525

819611-H (1)

TRANSFERS-ENGLISH

Item	Part Number	Qty	Description	Comments
1	795092M1	1	Decal	
2	1855355M1	1	Decal	
3	1855133M1	1	Decal	
4	1855297M2	1	Decal	
5	1855644M1	1	Decal	
6	1855940M1	1	Decal	From Serial or Engine Number 376
7	1615771M1	1	Decal	
8	1616786M1	1	Decal	
9	3044764M1	2	Transfer	
10	1616841M1	1	Decal	
11	3043267M1	1	Transfer	
12	3043269M1	2	Transfer	
13	3044049M1	1	Transfer	
14	3049568M1	2	Decal	

856

TRANSFERS  
DECALCOMANIE  
ABZIEHBILD  
DECALCOMANIA  
CALCOMANIAS

FRENCH  
FRANCAIS  
FRANZOESISCH  
FRANCESE  
FRANCES

33373001

3-3337-001-A

POUR LA CIRCULATION SUR ROUTE DE NUIT  
RÉGLER LATABLE ET LES RABATTEURS DU FACON  
À NE PAS MASQUER LE FAISCEAU DES PHARES

PATENTS PENDING

525

520

525

MASSEY FERGUSON 520

VITESSE RABATTEUR  
PRESSER LE BOUTON ET ACTIONNER LE LEVIER DE RELEVAGE DU RABATTEUR

ATTENTION  
ÉVITER LES OUVERTURES DANS LE TUBE DE LA VIS

LEVER LA RALLONGE 19MM ENVIRON AJUSTER L'OUVERTURE UN PEU PLUS OUVERTE QUE CELLE DE LA GRILLE

ATTENTION  
IL EST TRÈS DANGEREUX DE TRAVAILLER SOUS LE TABLIER S'IL N'EST PAS BIEN APPUYÉ

DANS CONDITIONS NEIGEUSES OU BOUEUSES ÉTTOVER CHAQUE SOIR ÔTER CETTE PORTE LORSQUE LA MACHINE NE TRAVAILLE PAS

ATTENTION  
DEBRANCHER L'ALTERNATEUR AVANT DE METTRE LE MOTEUR EN MARCHÉ SANS LA BATTERIE BRANCHÉE EN PERMANENCE. SINON L'ALTERNATEUR SERA GRAVEMENT ENDOMMAGÉ

POUR MAINTENIR LE VITESSES DU CYLINDRE STIPULÉES CHANGER LA POSITION DE LA POULIE COMMANDÉE EN TOURNANT LA BOÎTE DE VITESSES DE LA COMMANDE DU CYLINDRE VOIR LE NOTICE D'ENTRETIEN

NOTA  
EN POSITION VITESSE MAXIMUM LE JEU ENTRE PLASQUES DE LA POULIE MÉCANIQUE DOIT ÊTRE COMPRIS ENTRE 0,4MM ET 1,6 MM POUR L'OBTENIR AJUSTER SUR LES ÉCROUS DE BUTÉE 'A' POUR INSTRUCTIONS DÉTAILLÉES VOIR MANUEL

GRAISSER COMME INDIQUE  
8 HEURES 8 HEURES 50 HEURES 8 HEURES

POUR LA CIRCULATION SUR ROUTE DE NUIT RÉGLER LATABLE ET LES RABATTEURS DU FACON À NE PAS MASQUER LE FAISCEAU DES PHARES

PATENTS PENDING

525

520

525

MASSEY FERGUSON 520

VITESSE RABATTEUR  
PRESSER LE BOUTON ET ACTIONNER LE LEVIER DE RELEVAGE DU RABATTEUR

ATTENTION  
ÉVITER LES OUVERTURES DANS LE TUBE DE LA VIS

LEVER LA RALLONGE 19MM ENVIRON AJUSTER L'OUVERTURE UN PEU PLUS OUVERTE QUE CELLE DE LA GRILLE

ATTENTION  
IL EST TRÈS DANGEREUX DE TRAVAILLER SOUS LE TABLIER S'IL N'EST PAS BIEN APPUYÉ

DANS CONDITIONS NEIGEUSES OU BOUEUSES ÉTTOVER CHAQUE SOIR ÔTER CETTE PORTE LORSQUE LA MACHINE NE TRAVAILLE PAS

ATTENTION  
DEBRANCHER L'ALTERNATEUR AVANT DE METTRE LE MOTEUR EN MARCHÉ SANS LA BATTERIE BRANCHÉE EN PERMANENCE. SINON L'ALTERNATEUR SERA GRAVEMENT ENDOMMAGÉ

POUR MAINTENIR LE VITESSES DU CYLINDRE STIPULÉES CHANGER LA POSITION DE LA POULIE COMMANDÉE EN TOURNANT LA BOÎTE DE VITESSES DE LA COMMANDE DU CYLINDRE VOIR LE NOTICE D'ENTRETIEN

NOTA  
EN POSITION VITESSE MAXIMUM LE JEU ENTRE PLASQUES DE LA POULIE MÉCANIQUE DOIT ÊTRE COMPRIS ENTRE 0,4MM ET 1,6 MM POUR L'OBTENIR AJUSTER SUR LES ÉCROUS DE BUTÉE 'A' POUR INSTRUCTIONS DÉTAILLÉES VOIR MANUEL

GRAISSER COMME INDIQUE  
8 HEURES 8 HEURES 50 HEURES 8 HEURES

PRINTED IN U.K.

520 525

819611-H (1)

TRANSFERS-FRENCH

Item	Part Number	Qty	Description	Comments
1	196162M1	1	Decal	
2	784624M1	1	Decal	
3	783538M1	1	Emblem	Up to Serial or Engine Number 2209
	3043266M1	1	Transfer	From Serial or Engine Number 2210
4	619229M1	1	Emblem	Up to Serial or Engine Number 2209
	3043265M1	1	Transfer	From Serial or Engine Number 2210
5	784766M1	1	Emblem	Up to Serial or Engine Number 2209 Left Hand
5	784770M1	1	Emblem	Up to Serial or Engine Number 2209 Right Hand
5	1615900M1	2	Emblem	From Serial or Engine Number 2210
6	784765M1	1	Emblem	Up to Serial or Engine Number 2209 Left Hand
6	784769M1	1	Emblem	Up to Serial or Engine Number 2209 Right Hand
6	1615909M1	2	Emblem	From Serial or Engine Number 2210
7	784763M1	1	Emblem	Up to Serial or Engine Number 2209 Left Hand
7	784773M1	1	Emblem	Up to Serial or Engine Number 2209 Right Hand
7	1615951M1	2	Emblem	From Serial or Engine Number 2210
8	784762M1	1	Emblem	Up to Serial or Engine Number 2209 Left Hand
8	784764M1	1	Emblem	Up to Serial or Engine Number 2209 Right Hand
8	1615913M1	2	Emblem	From Serial or Engine Number 2210
9	792185M1	1	Plate	
10	360359X1	4	Screw	
15	784809M1	1	Decal	
16	617917M1	1	Decal	
17	794405M1	1	Decal	
18	793611M1	1	Decal	Up to Serial or Engine Number 2209
	793610M1	1	Decal	Up to Serial or Engine Number 2209
19	1615911M1	2	Emblem	From Serial or Engine Number 2210
20	794989M1	2	Decal	
21	1616774M1	1	Decal	
22	794610M1	1	Decal	
23	794726M1	1	Decal	
24	787606M1	1	Decal	
25	793334M1	2	Decal	
31	792274M1	2	Decal	
32	784713M2	1	Decal	
33	787834M2	1	Decal	
34	785636M1	1	Transfer	
35	685738M1	1	Decal	
36	957736M2		Transfer	

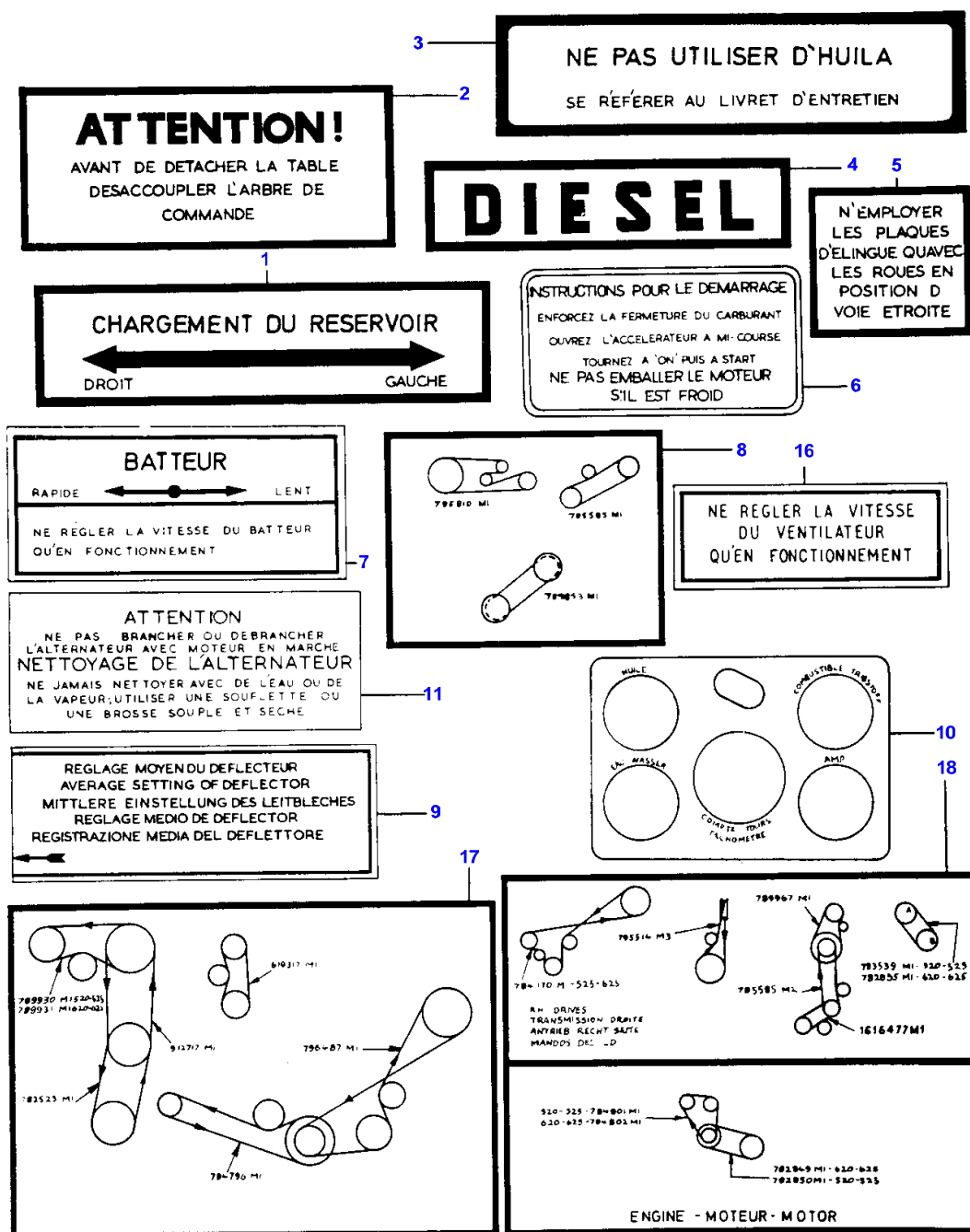
858

TRANSFERS  
 DECALCOMANIE  
 ABZIEHBILD  
 DECALCOMANIA  
 CALCOMANIAS

FRENCH  
 FRANCAIS  
 FRANZOESISCH  
 FRANCESE  
 FRANCES

33373002

3-3337-002-C



PRINTED IN U.K.

520 525

819611-H (1)

**TRANSFERS-FRENCH**

<b>Item</b>	<b>Part Number</b>	<b>Qty</b>	<b>Description</b>
1	784806M1	1	Decal
2	783005M2	1	Decal
3	786915M1	1	Decal
4	786034M1	1	Emblem
5	793156M1	2	Decal
6	785549M1	1	Transfer
7	1855031M1	1	Decal
8	783171M1	1	Decal
9	1616379M1	1	Decal
10	784088M1	1	Decal
11	1855678M1	1	Decal
16	685727M1	1	Decal
17	783525M3	1	Decal
18	783526M3	1	Transfer

860

TRANSFERS  
DECALCOMANIE  
ABZIEHBILD  
DECALCOMANIA  
CALCOMANIAS

FRENCH  
FRANCAIS  
FRANZOESISCH  
FRANCESE  
FRANCES

33373003

3-3337-003-C

**TABLE DE REGLAGE SUIVANT LA RECOLTE**

RECOLTE	1	2	3	4	5	6	7	8	9	10	11	12	13	14	15	16	17	18
BLE																		
AVOINE																		
ORGE																		
SEIGLE																		
LIN																		
MARIS																		
HARICOTS																		
POIS																		
TREFFLES																		
IVRAIE																		
FLEOLE																		
DESPELÉ																		
PIOUTRE																		
NAVETTE																		

**TABLE DE REGLAGE SUIVANT RECOLT**

RECOLT	1	2	3	4	5	6	7	8	9	10	11	12	13	14	15	16	17	18
ORGE																		
BLE																		
AVOINE																		
ORGE																		
LIN																		
MARIS																		
SOJA																		
POIS																		

CES REGLAGES SONT DONNES SEULEMENT A TITRE INDICATIF. REPRESENTENT L'OPTIMUM POUR LE RECOLT POUR LES RACINES ET LES COMBINAISONS USUEES POUR DE PLUS HAUTES RENDUES VOIR LE LIVRET D'ENTRETIEN

**ATTENTION**

EQUIPEMENT ELECTRIQUE A MASSES NEGATIVES  
NE JAMAIS BRANCHER OU INVERSER LES CABLES DE BATTERIES AVEC MOTEUR EN MARCHÉ  
DEMARRAGE AVEC BATTERIE DE DEPANNAGE  
BRANCHER LA BATTERIE DE DEPANNAGE EN PARALLELE (BORNES + AU + ET - AU -)  
POUR EVITER LA DETERIORATION DE L'ALTERNATEUR UNE BATTERIE DOIT RESTER BRANCHEE PENDANT QUE LE MOTEUR EST EN MARCHÉ

**CONTACT**

O C D

POUR LA TENSION DE CHAINE VOIR LE LIVRET D'ENTRETIEN

CEREALES 47-0  
MAIS - MAXI  
CEREALES JEU 16  
MAIS SERREBLOC

NETTOYER L'ELEMENT FILTRANT QUAND LE SIGNAL SE BLOQUE AU ROUGE  
PUIS REARMER L'INDICATEUR

POUSSER LE FOND POUR LIBERER  
POUSSER LE DOME POUR REARMER

**EMBRAYAGE DE SECURITE DE TABLE**

POUSSER POUR DEBRAYER

**PRE-FILTRE**

QUAND ON ATTEINT CE NIVEAU VIDER COLLECTEUR

ATTENTION - CE PRE-FILTRE NE LEVE QU'UNE PARTIE DE LA POUSSIERE LE FILTRE A AIR PRINCIPAL DOIT ETRE NETTOYE REGULIEREMENT. VOIR LE LIVRET D'ENTRETIEN

SERRER LES GOIJONS DES ROUES ARRIERES AU COUPLE DE 21-23 dam.N (M-KG)

**BATTERIE**

ARRET ←

→ MARCHÉ

**ATTENTION**

GARDEZ LA CLE DE CONTACT DANS VOTRE POCHE SI VOUS DEVEZ TRAVAILLER A L'INTERIEUR AU-DES-SOUS AU DESSUS AU TOUR DE LA MACHINE

LES COURROIES DE VARIATEUR D'AVANCE SERONT RETENUES APRES 50 HRS ET 300 HRS

**SUPER II**

**TUBE DE DECHARGE**

← DECHARGE      TRANSPORT →

**SUPER II**

1 2 3

14 15 16 17 18

TRANSFERS-FRENCH

Item	Part Number	Qty	Description	Comments
1	795409M1	1	Transfer	
2	1855356M1	1	Decal	
3	1855675M1	1	Decal	
4	1855134M1	1	Decal	
5	1855294M2	1	Decal	
6	1855352M1	1	Decal	
7	1855353M1	1	Decal	
8	1855354M1	1	Decal	
9	1855950M1	1	Decal	Up to Serial or Engine Number 376
10	1615713M1	1	Decal	
11	1616788M1	1	Decal	
12	1616843M1	1	Decal	
13	3044767M1	2	Transfer	
14	3043267M1	1	Transfer	
15	3043269M1	2	Transfer	
16	3049515M1	1	Transfer	
17	3044051M1	1	Transfer	
18	3049568M1	2	Decal	



862

TRANSFERS  
 DECALCOMANIE  
 ABZIEHBILD  
 DECALCOMANIA  
 CALCOMANIAS

GERMAN  
 ALLEMAGNE  
 DEUTSCH  
 TEDESCO  
 ALEMAN

33383001

3-3338-001-A

PRINTED IN U.K.

520 525

819611-H (1)

**TRANSFERS-GERMAN**

Item	Part Number	Qty	Description	Comments
1	196162M1	1	Decal	
2	784624M1	1	Decal	
3	783538M1	1	Emblem	Up to Serial or Engine Number 2209
	3043266M1	1	Transfer	From Serial or Engine Number 2209
4	619229M1	1	Emblem	Up to Serial or Engine Number 2209
	3043265M1	1	Transfer	From Serial or Engine Number 2209
5	784766M1	1	Emblem	Up to Serial or Engine Number 2209 Left Hand
5	784770M1	1	Emblem	Up to Serial or Engine Number 2209 Right Hand
5	1615900M1	2	Emblem	From Serial or Engine Number 2209
6	784765M1	1	Emblem	Up to Serial or Engine Number 2209 Left Hand
6	784769M1	1	Emblem	Up to Serial or Engine Number 2209 Right Hand
6	1615909M1	2	Emblem	From Serial or Engine Number 2209
7	784763M1	1	Emblem	Up to Serial or Engine Number 2209 Left Hand
7	784773M1	1	Emblem	Up to Serial or Engine Number 2209 Right Hand
7	1615951M1	2	Emblem	From Serial or Engine Number 2209
8	784762M1	1	Emblem	Up to Serial or Engine Number 2209 Left Hand
8	784764M1	1	Emblem	Up to Serial or Engine Number 2209 Right Hand
8	1615913M1	2	Emblem	From Serial or Engine Number 2209
9	792211M1	1	Plate	
10	360359X1	4	Screw	
15	784809M1	1	Decal	
16	794860M1	1	Decal	
17	794406M1	1	Decal	
18	793611M1	1	Decal	Up to Serial or Engine Number 2209
	793610M1	1	Decal	Up to Serial or Engine Number 2209
19	1615911M1	2	Emblem	From Serial or Engine Number 2209
20	794989M1	2	Decal	
21	1616775M1	1	Decal	
22	794614M1	1	Decal	
23	794728M1	1	Decal	
24	787605M1	1	Decal	
25	793333M1	2	Decal	
31	792275M1	2	Decal	
32	784714M1	1	Decal	
33	787834M1	1	Decal	
34	785638M1	1	Decal	
35	794758M1	1	Decal	

864

TRANSFERS  
DECALCOMANIE  
ABZIEHBILD  
DECALCOMANIA  
CALCOMANIAS

GERMAN  
ALLEMAGNE  
DEUTSCH  
TEDESCO  
ALEMAN

33383002

3-3338-002-C

**KORNTANK - LADUNG**

← RECHTS      LINKS →

**NIEMALS OEL EINFUELLEN**

EINZELHEITEN SIEHE BETRIEBSANLEITUNG, ABSCHNITT WARTUNG

**ACHTUNG!**

VOR ABBAU DES TISCHES  
KUPPLUNG DER  
ANTRIEBS VELLE LOESEN

**DIESEL**

HISSPLATTEN  
NUR BEI ENGER  
SPURWEITE  
DER RÄDERN  
BENUTZEN

**DRESCHTROMMEL**

SCHNELL ←      → LANGSAM

STUFENLOS™N TROMMELANTRIEB NUR BEI  
LAUFENDER TROMMEL VERSTELLEN

STARTVORSCHRIFT

TREIBSTOFFHAHN ANSTELLEN DREHSEL  
HALB OFFENEN SCHALTER AUF ON  
DANN AUF START STELLEN  
KALTEN MOTOR NICHT SCHNELL LAUFEN LASSEN

VORSICHT!

BEI STILLSTEHENDER WELLE KEIN  
VERSTELLEN DES GEBLÄSE -  
GESCHWINDIGKEITSREGLERS  
VORNEHMEN

**ACHTUNG**

KLEMMEN ZUR DREHSTROMLICHTMASCHINE NICHT  
BEI LAUFENDEM MOTOR VERBINDEN ODER TRENNEN  
**REINIGUNG DER LICHTMASCHINE**  
NICHT MIT WASSER ODER DAMPF REINIGEN;  
LUFTDRUCK ODER WEICHE TROCKENE BÜRSTE  
BENÜTZEN

REGLAGE MOYEN DU DEFLECTEUR  
AVERAGE SETTING OF DEFLECTOR  
MITTLERE EINSTELLUNG DES LEITBLECHES  
REGLAGE MEDIO DE DEFLECTOR  
REGISTRAZIONE MEDIA DEL DEFLETTORE

←      →

789217 MI      785585 MI

789 853 MI

788 810 MI      788 585 MI

789853 MI

CHALE      COMBUSTIBLE THERMISTE

EAU      VENTIL      AIR

COMPTES TOURS      MEMORISER

789530 MI-820-825  
789951 MI-620-623

912717 MI

784467 MI

784 796 MI

788 514 M3      788 947 MI

784 170 MI-825-825

785585 M2

785585 MI-520-525  
782835 MI-620-623

1616477 MI

R.H. DRIVES  
TRANSMISSION DROITE  
ANTRIEB RECHT SLITE  
MANDOS DEL LD

520-525-784801 MI  
620-625-784802 MI

782849 MI-610-625  
782850 MI-520-525

**ENGINE - MOTEUR - MOTOR**

PRINTED IN U.K.

520 525

819611-H (1)

Ссылка 864

Стр. 864

TRANSFERS-GERMAN

Item	Part Number	Qty	Description	Comments
1	784807M1	1	Decal	
2	783006M1	1	Decal	
3	786916M1	1	Decal	
4	786034M1	1	Emblem	
5	793157M1	2	Transfer	
6	785547M1	1	Decal	
7	1855032M1	1	Decal	
8	783171M1	1	Decal	
9	1616379M1	1	Decal	
10	784088M1	1	Decal	Up to Serial or Engine Number 5915
	1616912M1	1	Decal	From Serial or Engine Number 5915
11	1855679M1	1	Decal	
16	793330M1	1	Decal	
17	789934M2	1	Decal	
18	783525M3	1	Decal	
19	783526M3	1	Transfer	

866

TRANSFERS  
 DECALCOMANIE  
 ABZIEHBILD  
 DECALCOMANIA  
 CALCOMANIAS

GERMAN  
 ALLEMAGNE  
 DEUTSCH  
 TEDESCO  
 ALEMAN

33383003

3-3338-003-C

**ACHTUNG**

ELEKTRISCHE AUSRÜSTUNG MIT MINUS ANMASSE  
 BATTERIEKABEL NICHT BEI LAUFENDUM MOTOR  
 ABNEHMEN ODER VERWECHSELN  
 START MIT ZUSÄTZLICHER BATTERIE  
 BATTERIEPOLE PARALLEL VERBINDEN  
 (+ ZU + NO - ZU -)  
 BEI LAUFENDEM MOTOR MUSS EINE BATTERIE  
 VERBUNDEN BLEIBEN UM BESCHÄDIGUNG  
 DER DREHSTROMLICHTMASCHINE ZU  
 VERMEIDEN

**SCHNELLIGKEIT**

SCHNELL DES LANGSAM  
 ÄHRENTREIBER

HINTERRADSCHRAUBEN  
 MIT 21-23 KPM ANZIEHEN

IGNITION

OFF ON START

**KEILRIEMEN**  
 FÜR  
 FAHRVARIATOR  
 NACH  
 50 UND 300 STD  
 NACH SPANNEN

**ACHTUNG**

BEWAHREN SIE DEN STARTERSCHLÜSSEL  
 IN IHRER TASCHE AUF WENN SIE IN,  
 UNTER, AUF ODER AN DER MASCHINE  
 ZU ARBEITEN HABEN

KORN 1.6 ABSTAND  
 MAIS ZUSAMMENGESCHRAUBT  
 SIEHE BEDIENUNDSHANDBUCH  
 FÜR KETTENSPIEL

BATTERIE  
 EIN →  
 ← AUS

SICHERHEIT-  
 KUPPLUNG  
 FÜR TISCH  
 DRUCKE ZUM  
 AUSKUPPELN

1 2 3

**ENTLEERUNGSRÖHR**

← ENTLEERUNG → FAHRT →

**SUPER II**

**SUPER II**

1

EINSTELLUNGSTABELLE									
GETR.	DEART								
WEIZEN									
HAFER									
GERSTE									
ROGGEN									
KLEINER SÄHNEWEI									
BOHNE									
ERBSEN									
REE									
RAY- GRASS									
THOMPSON GRASS									
SENF									
RAPS									

DIESE EINSTELLUNGEN DIENEN NUR ALS GRUNDLINIE. ABWEICHUNGEN  
 DAVON KÖNNEN VORGENOMMEN WERDEN SIEHE BETRIEBSANLEITUNG

2

EINSTELLUNGSTABELLE									
ERBSEN									
GERSTE									
WEIZEN									
HAFER									
RAPS									
FLACHS									
MAIS									
SOLAR- MÄHWEI									
ERBSEN									

DIESE GRUNDEINSTELLUNG DIENT ALS ANHALT FÜR DEN EINSAZT IN ANGEFÜHRTEN  
 ERNTEGÜT AUSFÜHRLICHE INFORMATION SIEHE BETRIEBSANLEITUNG

TRANSFERS-GERMAN

Item	Part Number	Qty	Description	Comments
1	795411M1	1	Decal	
2	1855357M1	1	Decal	
3	1855133M1	1	Decal	
4	1855295M2	1	Decal	
5	1855676M1	1	Decal	
6	1855949M1	1	Decal	From Serial or Engine Number 376
7	1615773M1	1	Decal	
8	1616789M1	1	Decal	
9	1616845M1	1	Decal	
10	3044765M1	2	Transfer	
11	3043267M1	1	Transfer	
12	3043269M1	2	Transfer	
13	3044050M1	1	Transfer	
14	3049517M1	1	Transfer	
15	3049568M1	2	Decal	

868

TRANSFERS  
 DECALCOMANIE  
 ABZIEHBILD  
 DECALCOMANIA  
 CALCOMANIAS

SPANISH  
 ESPAGNOL  
 SPANISCH  
 SPAGNOLO  
 ESPANOL

33393001

3-3339-001-A

PRINTED IN U.K.

520 525

819611-H (1)

TRANSFERS SPANISH

Item	Part Number	Qty	Description	Comments
1	196162M1	1	Decal	
2	784624M1	1	Decal	
3	783538M1	1	Emblem	Up to Serial or Engine Number 2209
	3043266M1	1	Transfer	From Serial or Engine Number 2209
4	619229M1	1	Emblem	Up to Serial or Engine Number 2209
	3043265M1	1	Transfer	From Serial or Engine Number 2209
5	784766M1	1	Emblem	Up to Serial or Engine Number 2209
	784770M1	1	Emblem	Up to Serial or Engine Number 2209
	1615900M1	2	Emblem	From Serial or Engine Number 2209
6	784765M1	1	Emblem	Up to Serial or Engine Number 2209
	784769M1	1	Emblem	Up to Serial or Engine Number 2209
	1615909M1	2	Emblem	From Serial or Engine Number 2209
7	784763M1	1	Emblem	Up to Serial or Engine Number 2209
	784773M1	2	Emblem	Up to Serial or Engine Number 2209
	1615951M1	2	Emblem	From Serial or Engine Number 2209
8	784762M1	1	Emblem	Up to Serial or Engine Number 2209
	784764M1	1	Emblem	Up to Serial or Engine Number 2209
	1615913M1	2	Emblem	From Serial or Engine Number 2209
9	792183M1	1	Plate	
10	360359X1	4	Screw	
15	784809M1	1	Decal	
16	794859M1	1	Decal	
17	794407M1	1	Decal	
18	793611M1	1	Decal	Up to Serial or Engine Number 2209
	793610M1	1	Decal	Up to Serial or Engine Number 2209
19	1615911M1	2	Emblem	From Serial or Engine Number 2209
20	794989M1	2	Decal	
21	1616776M2	1	Transfer	
22	794612M1	1	Decal	
23	794727M1	1	Decal	
24	787604M1	1	Decal	
25	793335M1	2	Decal	
31	792273M1	2	Decal	
32	784715M1	1	Decal	
33	787834M2	1	Decal	
34	785637M1	1	Transfer	
35	794757M1		Decal	



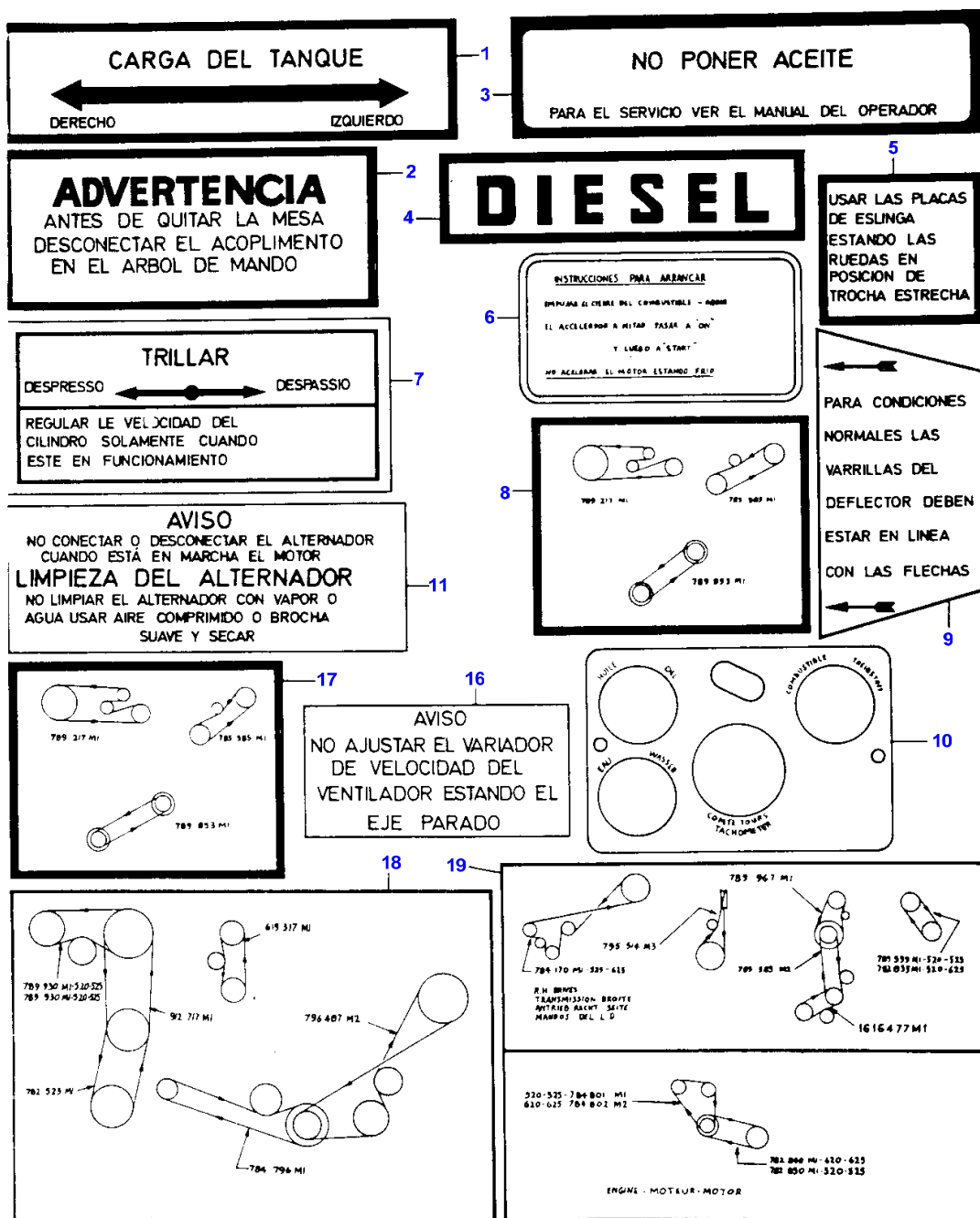
870

TRANSFERS  
DECALCOMANIE  
ABZIEHBILD  
DECALCOMANIA  
CALCOMANIAS

SPANISH  
ESPAGNOL  
SPANISCH  
SPAGNOLO  
ESPANOL

33393002

3-3339-002-B



PRINTED IN U.K.

520 525

819611-H (1)

TRANSFERS SPANISH

Item	Part Number	Qty	Description	Comments
1	784808M1	1	Decal	
2	783007M1	1	Decal	
3	786917M1	1	Decal	
4	786034M1	1	Emblem	
5	793155M1	2	Decal	
6	785551M1	1	Decal	
7	1855033M1	1	Decal	
8	783171M1	1	Decal	
9	794411M1	1	Decal	
10	784088M1	1	Decal	Up to Serial or Engine Number 5915
	1616912M1	1	Decal	From Serial or Engine Number 5915
11	1855680M1	1	Decal	
16	793332M1	1	Decal	
17	789934M2	1	Decal	
18	783525M3	1	Decal	Left Hand
19	783526M3	1	Transfer	Right Hand

872

TRANSFERS  
DECALCOMANIE  
ABZIEHBILD  
DECALCOMANIA  
CALCOMANIAS

SPANISH  
ESPAGNOL  
SPANISCH  
SPAGNOLO  
ESPANOL

33393003

3-3339-003-C

COSECHA	...	...	...	...	...	...	...	...	...	...
TRIGO										
AVENA										
CEBADA										
ESENTENO										
LINO										
FRIOLES										
QUIS ANTES										
TREBOLES										
RAYGRAS										
PLEO										
HOTAZAR										
HABOS										

COSECHA	...	...	...	...	...	...	...	...	...	...
CEBADA										
TRIGO										
AVENA										
HABOS										
LINO										
HATZ										
LOVA										
QUIS ANTES										

**1**

**15**

**2**

1 2 3

**4**

GRANO : 476 a 6.35 m/m  
MAIZ : MAXIMA  
GRANO : 1.6 m/m  
MAIZ : CERO  
PARA TENSION DE LA CADENA  
REFERIR SE AL LIBRO DE INSTRUCCIONES

**3**

**5**

**AVISO**  
SISTEMA ELECTRICO CON NEGATIVO A MASA  
NO SACAR NI INVERTIR LOS TERMINALES DE LA BATERIA CUANDO ESTÁ EN MARCHA EL MOTOR PUESTA EN MARCHA USANDO BATERIA ESCLAVA  
CONECTAR EN PARALELO LA ATERIA ADICIONAL (TERMINALES +AL+Y-AL-)  
CUANDO ESTA EN MARCHA EL MOTOR LA BATERIA DEBE ESTAR CONECTADA PARA NO AVERIAR EL ALTERNADOR

**6**

**APRETAR LOS ESPARRAGOS ROSCADOS DE LAS RUEDA TRASERAS AL PAR DE 21-23 METROS KILOS**

**7**

**8**

LAS CORREAS DEL VARIADOR DE AVANCE DEBERAN SER TENSADAS NUEVAMENTE DESPUES DE 50 H Y 300 H

BATERIA PARADO  
MARCHA

**9**

**VELOCIDAD DEL MOLINETE**  
RAPIDA LENTA

**10**

**ATENCION**  
GUARDAR LA Llave DE CONTACTO EN VUESTRO BOLSILLO SI TENEIS QUE TRABAJAR A L'INTERIOR, ABAJO ARRIBA ALREDEDOR DE LA MAQUINA

**11**

**SUPER II**

**12**

**SUPER II**

**13**

EMBRAGUE DE SEGURIDAD DE PLATIFORMA EMPUJAR PARA DESEMBRAGAR

**14**

**TUBO DE DESCARGA**  
DESCARGA TRANSPORTE

**TRANSFERS SPANISH**

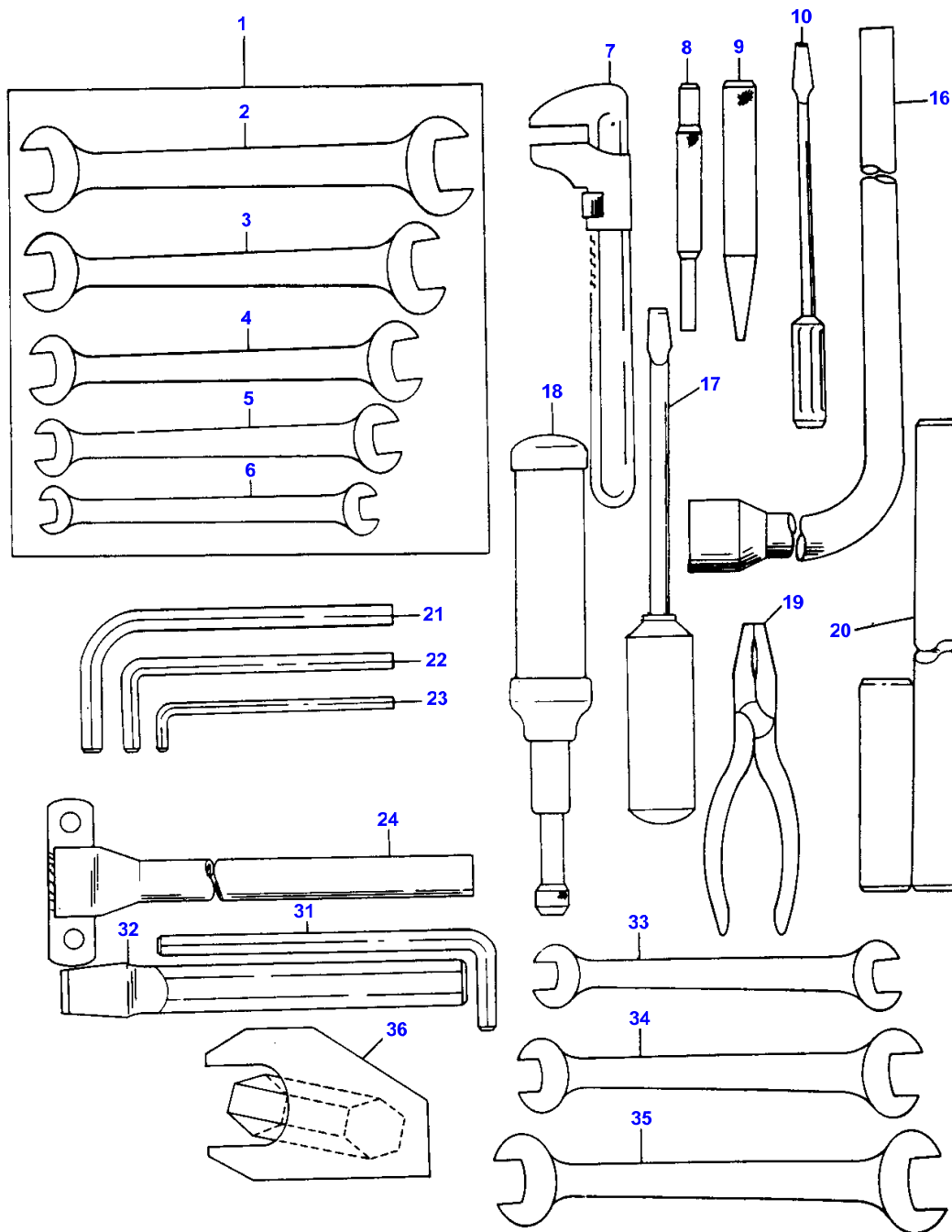
<b>Item</b>	<b>Part Number</b>	<b>Qty</b>	<b>Description</b>
1	795410M1	1	Decal
2	1855358M1	1	Decal
3	1855133M1	1	Decal
4	1855296M2	1	Decal
5	1855677M1	1	Decal
6	1855951M1	1	Decal
7	1615774M1	1	Decal
8	1616787M1	1	Decal
9	1616844M1	1	Decal
10	3044766M1	2	Transfer
11	3043267M1	1	Transfer
12	3043269M1	2	Transfer
13	3044124M1	1	Transfer
14	3049516M1	1	Transfer
15	3049568M1	2	Decal

874

TOOLS  
 OUTILS  
 WERKZEUGE  
 ATTREZZI  
 HERRAMIENTAS

33103001

3-3310-001-A



PRINTED IN U.K.

520 525

819611-H (1)

TOOLS

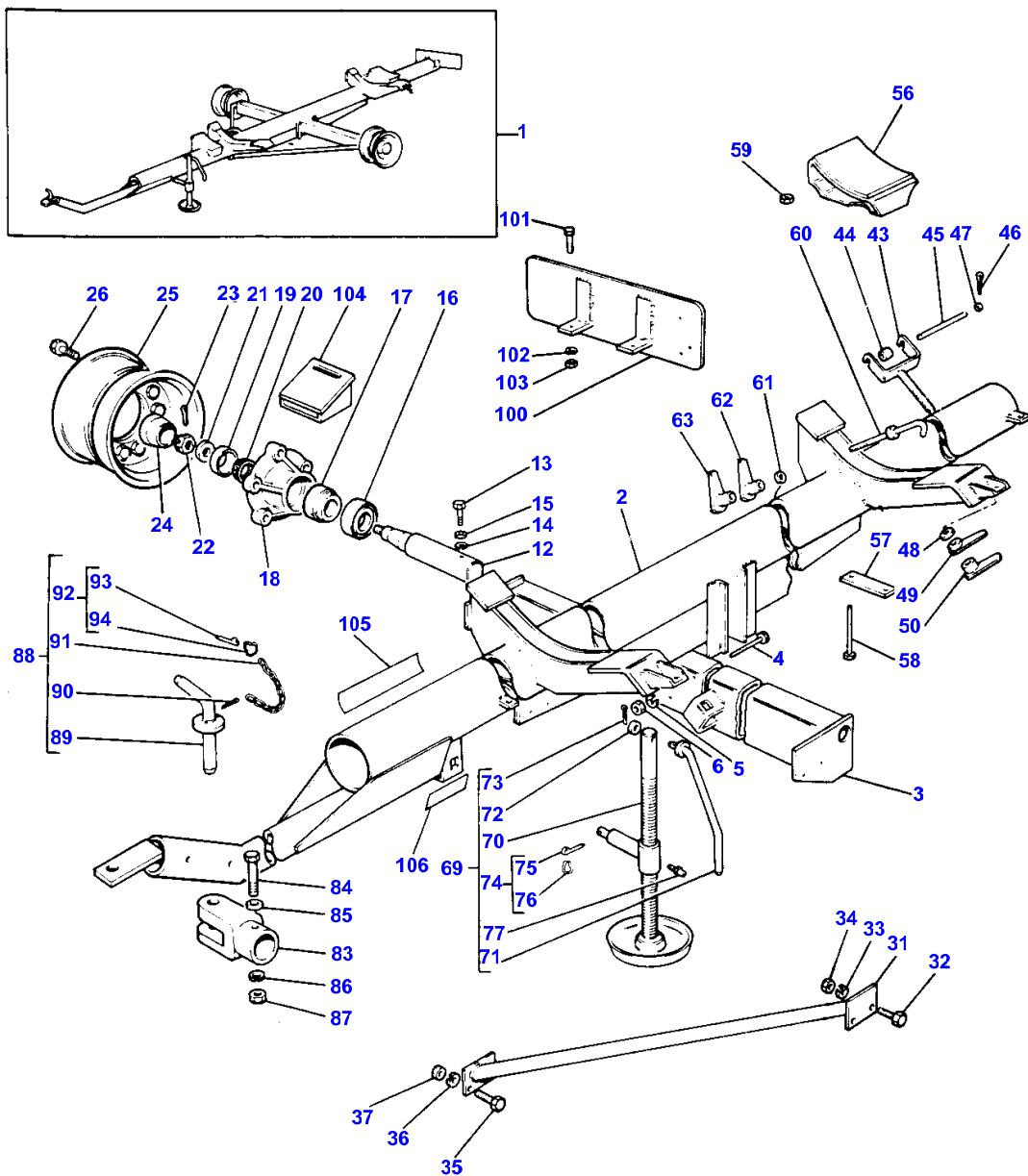
Item	Part Number	Qty	Description	Comments
1	794169M1	1	Spanner	
2		1	Spanner	(1) Not serviced, order 794 169 M1
3		1	Spanner	(1) Not serviced, order 794 169 M1
4		1	Spanner	(1) Not serviced, order 794 169 M1
5		1	Spanner	(1) Not serviced, order 794 169 M1
6		1	Spanner	(1) Not serviced, order 794 169 M1
7	202466M1	1	Wrench	
8	1616988M1	1	Punch	
9	630908M1	1	Punch	
10	630900M1	1	Screwdriver	
16	1855410M1	1	Wrench	
17	793412M1	1	Screwdriver	
18	204925M1	1	Gun	
19	630905M1	1	Pliers	
20	1855935M91	1	Arm	
21	375321X1	1	Nut	
22	375327X1	1	Wrench	
23	375326X1	1	Wrench	
24	240401M91	1	Wrench	
31	793194M1	1	Wrench	
32	630901M1	1	Chisel	
33	787029M1	1	Spanner	
34	787030M1	1	Spanner	
35	791423M1	1	Spanner	
36	914870M91	1	Spanner	(A)  (A) NOT FITTED ON THIS APPLICATION

876

TABLE TRAILER  
 REMORQUE  
 TISCHWAGEN  
 TAVOLA RIMORCHIO  
 PLATAFORMA REMOLQUE

22853001

3-2265-001-A



PRINTED IN U.K.

520 525

819611-H (1)

TABLE TRAILER

Item	Part Number	Qty	Description	Comments
1	797375M91	1	Trailer	(A)
2		1	.	(1) Not serviced, order 797375M91
3	787349M91	1	Beam	(1)
4	353891X1	4	Bolt Unf	(1)
5	353439X1	4	Lock Washer	(1)
6	353437X1	4	Nut Unf	(1)
12	787351M1	2	Axle	(1)
13	353593X1	2	Screw Unf	(1)
14	353439X1	2	Lock Washer	(1)
15	353758X1	2	Washer	(1)
16	787352M1	2	Seal	(1)
17	895522M91	2	Bearing	(1)
18	787353M1	2	Hub	(1)
19	895655M2	2	Cup	(1)
20	895656M2	2	Cone	(1)
21	353762X1	2	Washer	(1)
22	353928X1	2	Nut Unf	(1)
23	354070X1	2	Pin	(1)
24	623139M1	2	Cap	(1)
25	787387M1	2	Wheel	(1)
26	787355M1	10	Bolt	(1)
31	787383M91	1	Brace	(1) Left Hand
31	787384M91	1	Brace	(1) Right Hand
32	353595X1	4	Screw Unf	(1)
33	353439X1	4	Lock Washer	(1)
34	353437X1	4	Nut Unf	(1)
35	353597X1	2	Bolt Unf	(1)
36	353439X1	2	Lock Washer	(1)
37	353437X1	2	Nut Unf	(1)
43	787376M91	2	Clevis	(1)
44	787363M1	2	Spacer	(1)
45	787382M1	2	Pin	(1)
46	353773X1	10	Washer	(1)
47	354059X1	4	Pin	(1)
48	377116X1	2	Washer	(1)
49	787367M91	2	Boss	(1)
50	787575M91	2	Boss	(1)
56	787372M91	2	Cradle	(1)
57	787375M1	2	Plate	(1)
58	354562X1	4	Bolt Unf	(1)
59	376449X1	4	Nut Unf	(1)
60	787370M92	2	Rod	(1)
61	377116X1	2	Washer	(1)
62	787367M91	2	Boss	(1)
63	787575M91	2	Boss	(1)
69	823705M91	1	Jack	(1)
70		1	.	(69) Not serviced, order 823705M91
71	823700M91	1	Handle	(69)
72	353758X1	1	Washer	(69)
73	354057X1	1	Pin	(69)
74	810285M92	1	Lynch Pin 11mm	(69)
75	888086M1	1	Pin	(74)
76	195347M1	1	Ring	(74)
77	200191M1	1	Nipple	(69)
83	787359M1	1	Clevis	(1)
84	353891X1	1	Bolt Unf	(1)
85	353758X1	1	Washer	(1)
86	353439X1	1	Lock Washer	(1)
87	353437X1	1	Nut Unf	(1)
88	787360M91	1	Pin	(1)
89		1	.	(88) Not serviced, order 787360M91
90	354078X1	1	Pin	(88)
91	787362M1	1	Chain	(88)
92	810285M92	1	Lynch Pin 11mm	(88)
93	888086M1	1	Pin	(92)



**TABLE TRAILER**

<b>Item</b>	<b>Part Number</b>	<b>Qty</b>	<b>Description</b>	<b>Comments</b>
94	195347M1	1	Ring	(92)
100	787379M91	1	Plate	(1)
101	353593X1	2	Screw Unf	(1)
102	353439X1	2	Lock Washer	(1)
103	353437X1	2	Nut Unf	(1)
104	787364M91	2	Chock	(1)
105	787421M1	2	Transfer	(1)
106	788707M1	1	Transfer	(1)

(A)

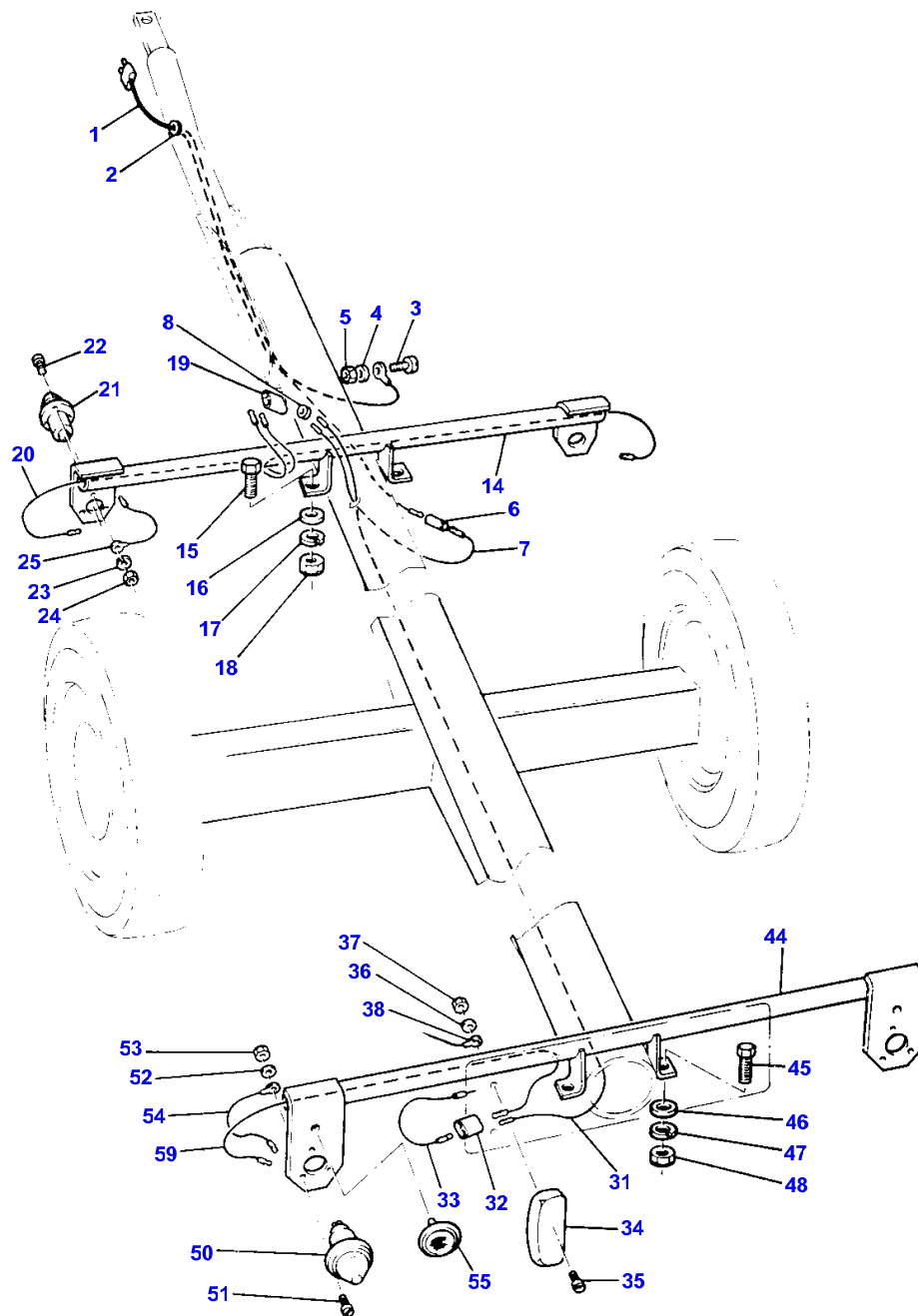
ORDER THROUGH SALES DEPT

880

LIGHTING  
ECLAIRAGE  
BELEUCHTUNG  
ILLUMINAZIONE  
ILUMINACION

32503001

3-3250-001-A



PRINTED IN U.K.

520 525

819611-H (1)

LIGHTING - TABLE TRAILER

Item	Part Number	Qty	Description	Comments
------	-------------	-----	-------------	----------

				TABLE TRAILER
1	788700M1	1	Lead	
2	787331M1	1	Grommet	
3	354198X1	1	Screw Unc	
4	353445X1	1	Lock Washer	
5	354120X1	1	Nut	
6	900288	1	Connector	(A)
7	787328M1	1	Lead	
8	787324M1	4	Grommet	
14	787319M91	1	Arm	
15	353593X1	2	Screw Unf	
16	353758X1	2	Washer	
17	353439X1	2	Lock Washer	
18	353437X1	2	Nut Unf	
19	850641	1	Connector	(A)
20	787323M1	1	Lead	
21	576104	2	Light	(A)
22	376848X1	6	Screw Unc	
23	195441M1	6	Washer	
24	354118X1	6	Nut Unc	
25	787318M1	2	Lead	
31	787329M1	1	Lead	
32	850641	1	Connector	(A)
33	787330M1	1	Lead	
34	829121M1	1	N/Plate Lamp	
35	354198X1	2	Screw Unc	
36	353445X1	2	Lock Washer	
37	354120X1	1	Nut	
38	785449M2	1	Wire	
44	787325M91	1	Arm	
45	353593X1	2	Screw Unf	
46	353758X1	2	Washer	
47	353439X1	2	Lock Washer	
48	353437X1	2	Nut Unf	
49	787323M1	2	Lead	
50	880399M1	2	Lamp	
51	376848X1	6	Screw Unc	
52	195441M1	6	Washer	
53	354118X1	6	Nut Unc	
54	787318M1	2	Lead	
55	575355	2		(A)

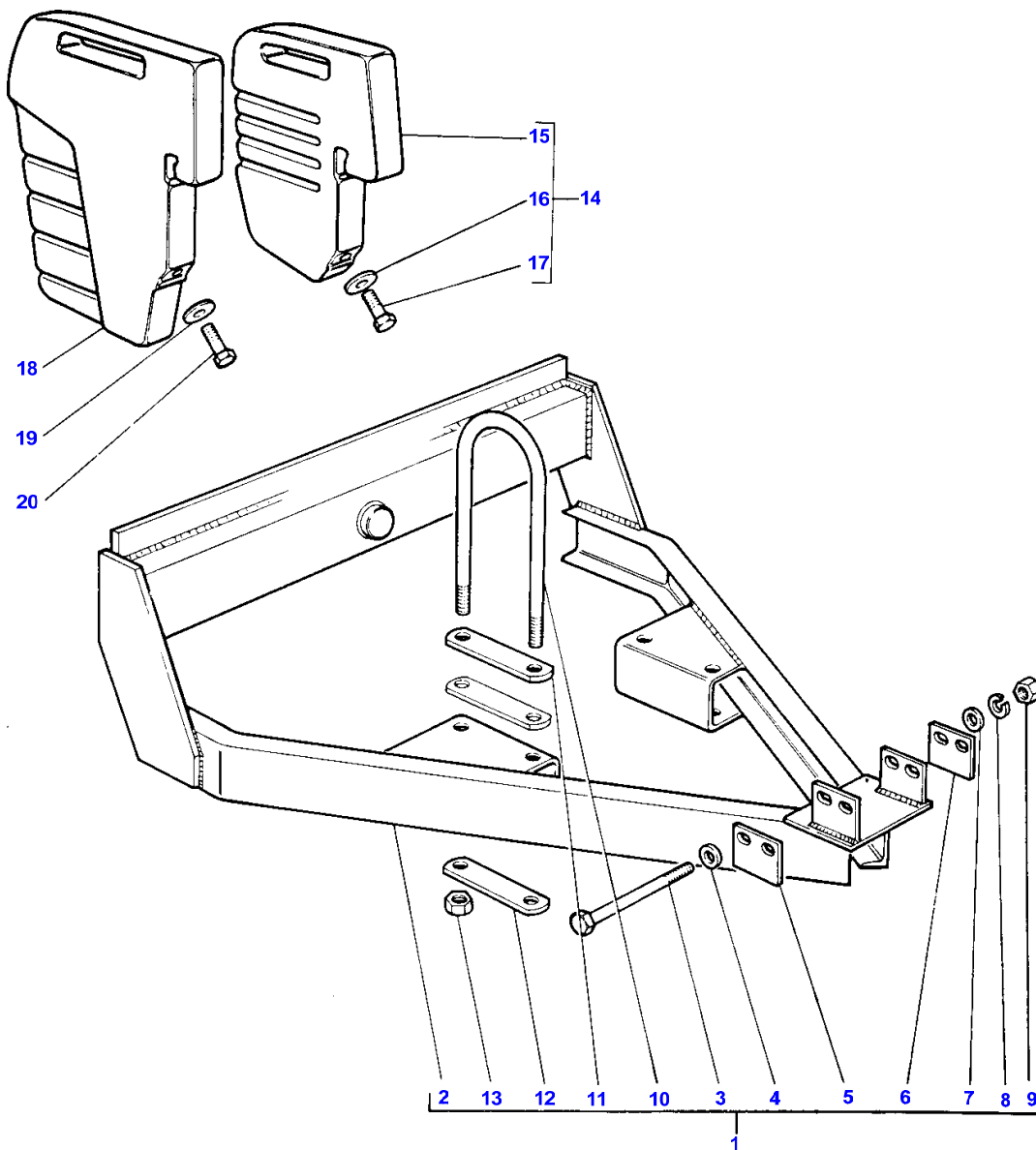
(A)  
SERVICED BY LUCAS

882

WEIGHT FRAME AND WEIGHTS  
 PORTE MASSES ET MASSES  
 GEWICHTSTRAEGER UND GEWICHTE  
 TELAIO CONTRAPPESI E CONTRAPPESI  
 BASTIDOR PARA PESAS CON PESAS

33063001

3-3306-001-A



PRINTED IN U.K.

520 525

819611-H (1)

WEIGHT FRAME AND WEIGHTS

Item	Part Number	Qty	Description	Comments
1	1855756M92	1	Frame	
2	1855313M93	1	Support	(1)
3	353655X1	2	Bolt Unf	(1)
4	353760X1	2	Flat Washers	(1)
5	1855320M1	1	Plate	(1)
6	1855320M1	1	Plate	(1)
7	353760X1	2	Flat Washers	(1)
8	353433X1	2	Lock Washer	(1)
9	353427X1	2	Nut Unf	(1)
10	1855322M3	2	U Bolt	(1)
11	1855321M2	2	Spacer	(1)
12	1855321M2	1	Spacer	(1)
13	376457X1	2	Locknut	(1)
14	898612M92	X	Weight	(A,B)
15	893555M1	1	Weight	(14)
16	831985M1	1	Washer	(14)
17	353901X1	1	Screw Unc	(14)
18	1866274M1	X	Weight	(A)
19	355623X1	X	Washer	(A)
20	354441X1	X	Screw Unc	(A)

(A)  
MAIZE COMBINE ONLY

(B)  
NO LONGER SERVICED ORDER DETAILS

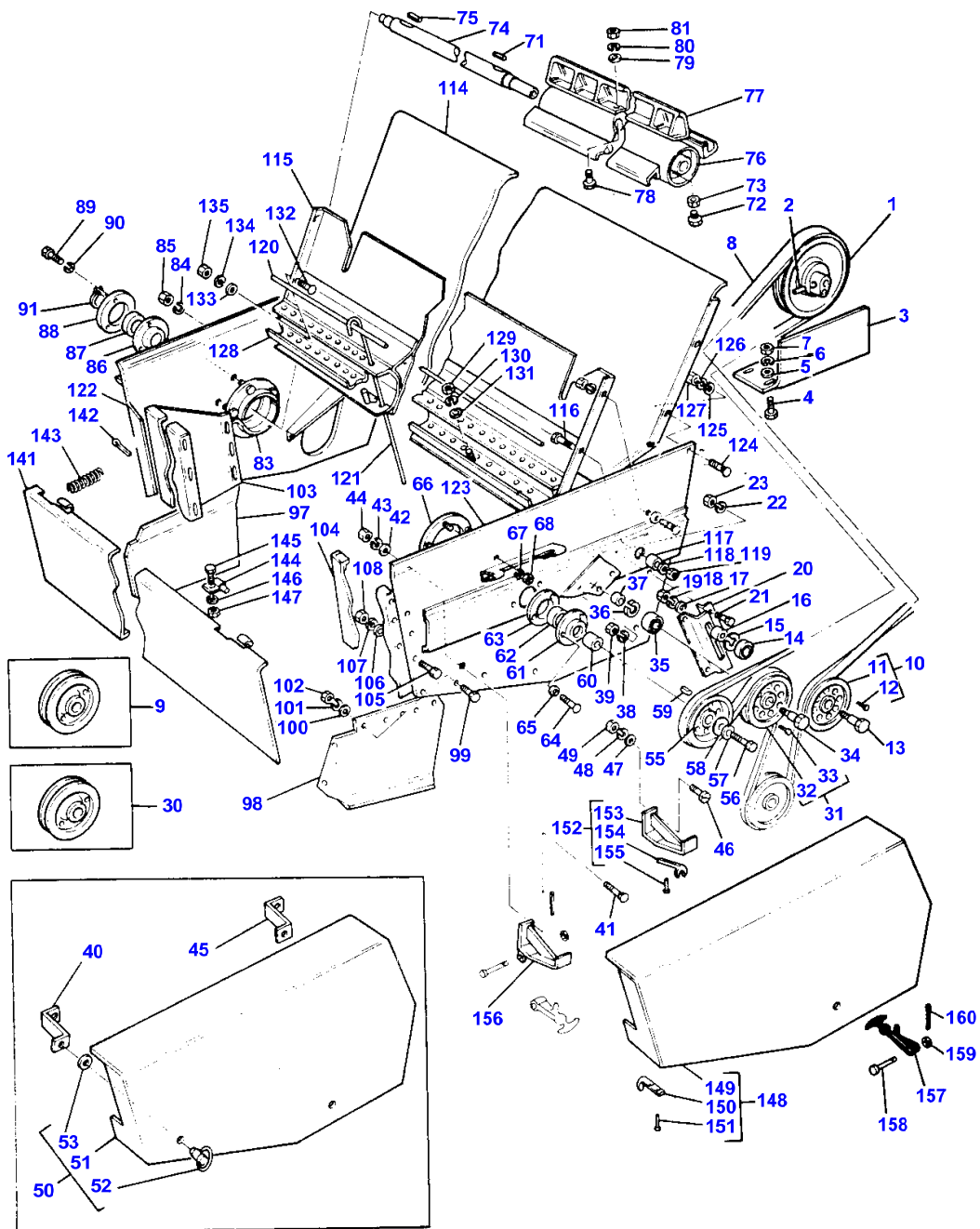
884

CASCADE SEPARATOR  
 TAMBOUR DEFLECTEUR  
 DRESCHTROMMEL UND ANTRIEB  
 SEPARATORE DI CADUTA  
 CILINDRO Y MANDO

CYLINDER AND DRIVES  
 COMMANDES MULTIFLOW  
 KASKADEN ABSCHIEDER  
 CILINDRO E TRASMISSIONE  
 SEPARADOR EN CASCAIDA

24963001

3-2496-001-A



PRINTED IN U.K.

520 525

819611-H (1)

**CASCADE SEPARATOR CYLINDER AND DRIVES**

Item	Part Number	Qty	Description	Comments
1	795751M91	1	Pulley	
2	377305X1	1	Pin	
3	784163M91	1	Guard	
4	353501X1	2	Screw Unf	
5	353755X1	4	Washer	
6	353446X1	2	Lock Washer	
7	353916X1	2	Nut Unf	
8	784170M2	1	Belt	
9	789471M1	1	Pulley	Up to Serial or Engine Number 658
10	617746M91	1	Pulley	From Serial or Engine Number 659
11		1	Pulley	(10) Not serviced, order 617 746 M91
12	203381M1	X	Rivet	(10) .375" RAD
12	203382M1	X	Rivet	(10) .438" RAD
12	203383M1	X	Rivet	(10) .5" RAD
12	203384M1	X	Rivet	(10) .563" RAD
12	203417M1	X	Rivet	(10) .313" RAD
13	353623X1	1	Bolt Unf	Up to Serial or Engine Number 658
	795549M1	1	Trunnion	From Serial or Engine Number 659
14	339581X1	1	Bearing Ball	From Serial or Engine Number 659
15	208230M1	1	Ring	From Serial or Engine Number 659
16	789083M1	1	Spacer	
17	353760X1	1	Flat Washers	
18	353433X1	1	Lock Washer	
19	227974M1	1	Nut	
20	789092M1	1	Bracket	
21	353516X1	5	Screw Unf	
22	353446X1	5	Lock Washer	
23	353916X1	5	Nut Unf	
30	789471M1	1	Pulley	Up to Serial or Engine Number 436
	213736M1	1	Pulley	From Serial or Engine Number 437 Up to Serial or Engine Number 658
31	617746M91	1	Pulley	From Serial or Engine Number 659
32		1	Pulley	(31) Not serviced, order 617 746 M91
33	203381M1	X	Rivet	(31) .375" RAD
33	203382M1	X	Rivet	(31) .438" RAD
33	203383M1	X	Rivet	(31) .5" RAD
33	203384M1	X	Rivet	(31) .563" RAD
33	203417M1	X	Rivet	(31) .313" RAD
34	353623X1	1	Bolt Unf	Up to Serial or Engine Number 436
	795549M1	1	Trunnion	From Serial or Engine Number 437
35	339581X1	1	Bearing Ball	From Serial or Engine Number 437
36	208230M1	1	Ring	From Serial or Engine Number 437
37	361221X1	1	Spacer	From Serial or Engine Number 437 Up to Serial or Engine Number 658
37	789083M1	1	Spacer	From Serial or Engine Number 659
38	353433X1	1	Lock Washer	
39	227974M1	1	Nut	
40	789801M91	1	Bracket	Up to Serial or Engine Number 3447
41	359038X1	2	Bolt Unf	
42	353755X1	2	Washer	
43	353446X1	2	Lock Washer	
44	353916X1	2	Nut Unf	
45	789801M91	1	Bracket	Up to Serial or Engine Number 3447
46	359038X1	2	Bolt Unf	
47	353755X1	2	Washer	
48	353446X1	2	Lock Washer	
49	353916X1	2	Nut Unf	
50	789454M91	1	Kit, Guard	(A)

**CASCADE SEPARATOR CYLINDER AND DRIVES**

Item	Part Number	Qty	Description	Comments
51		1	Guard	Up to Serial or Engine Number 3447 (50) Not serviced, order 789 454 M91
52	788916M1	2	Stud	(50)
53	788392M1	2	Washer	(50)
55	786692M1	1	Pulley	
56	353609X1	1	Bolt	
57	359405X1	1	Washer	
58	795736M1	1	Washer	
59	MP 1574	1	Key Door	
60	789441M1	1	Spacer	
61	789086M1	1	Flange	
62	831087M1	1	Bearing	
63	789085M1	1	Flange	
64	353518X1	3	Screw Unf	
65	353446X1	3	Lock Washer	
66	789081M91	2	Shield	
67	353446X1	6	Lock Washer	
68	353916X1	6	Nut Unf	
71	353186X1	1	Key Parallel	
72	355204X1	1	Screw Unc	
73	375108X1	1	Nut Unc	
74	789090M1	1	Shaft	
75	353186X1	1	Key Parallel	
76	785646M91	1	Cylinder	
77	789068M91	4	Vane	
78	353792X1	20	Bolt Unf	
79	376818X1	20	Washer	
80	353446X1	20	Lock Washer	
81	353916X1	20	Nut Unf	
83	789081M91	2	Shield	
84	353446X1	6	Lock Washer	
85	353916X1	6	Nut Unf	
86	789085M1	1	Flange	
88	789086M1	1	Flange	
89	353518X1	3	Screw Unf	
90	353446X1	3	Lock Washer	
91	208221M1	1	Ring	
97	789094M2	1	Deflector	Left Hand
98	789095M2	1	Deflector	Right Hand
99	359038X1	14	Bolt Unf	
100	353755X1	14	Washer	
101	353446X1	14	Lock Washer	
102	353916X1	14	Nut Unf	
103	783358M91	1	Deflector	Left Hand
104	783359M91	1	Deflector	Right Hand
105	359038X1	12	Bolt Unf	
106	353755X1	12	Washer	
107	353446X1	12	Lock Washer	
108	353916X1	12	Nut Unf	
114	789016M93	1	Pan	
115	617947M92	1	Plate	Up to Serial or Engine Number 2095
115	914687M91	1	Plate	From Serial or Engine Number 2096
116	376444X1	1	Bolt Unf	From Serial or Engine Number 2096
117	914684M1	1	Spacer	From Serial or Engine Number 2096
118	355618X1	1	Washer	From Serial or Engine Number 2096
119	353916X1	1	Nut Unf	From Serial or Engine Number 2096
120	914719M1	1	Rod	From Serial or Engine Number 2096
121	617965M2	98	Tine	
122	789008M93	1	Panel	Up to Serial or Engine Number 2095 Left Hand
122	914677M91	1	Side	From Serial or Engine Number 2096 Left Hand
123	789011M95	1	Panel	Up to Serial or Engine Number 2095 Right Hand
123	914673M91	1	Side	From Serial or Engine Number 2096 Right Hand
124	359038X1	X	Bolt Unf	
125	353755X1	X	Washer	
126	353446X1	X	Lock Washer	



**CASCADE SEPARATOR CYLINDER AND DRIVES**

Item	Part Number	Qty	Description	Comments
127	353916X1	X	Nut Unf	
128	617928M2	1	Beam	
129	353755X1	7	Washer	
130	353446X1	7	Lock Washer	
131	353916X1	7	Nut Unf	
132	359998X1	1	Bolt Unf	From Serial or Engine Number 2096
133	353755X1	1	Washer	From Serial or Engine Number 2096
134	353446X1	1	Lock Washer	From Serial or Engine Number 2096
135	353916X1	1	Nut Unf	From Serial or Engine Number 2096
141	784237M93	1	Panel	
142	354066X1	2	Pin	
143	175045M1	2	Spring	
144	784242M91	3	Hinge	
145	353515X1	3	Screw Unf	
146	353446X1	3	Lock Washer	
147	353916X1	3	Nut Unf	
148	1615354M91	1	Guard	From Serial or Engine Number 3448
149		1	Guard	(148) Not serviced, order 1615 354 M91
150	403659M1	1	Angle	(148)
151	330899X1	2	Rivet	(148)
152	1615352M91	1	Support	From Serial or Engine Number 3448
153		1	Support	(152) Not serviced, order 1615 352 M91
154	403659M1	1	Angle	(152)
155	330899X1	2	Rivet	From Serial or Engine Number 3448
156	1615353M91	1	Support	
157	403657M1	2	Fastener	From Serial or Engine Number 3448
158	403660M1	2	Pin	From Serial or Engine Number 3448
159	390146X1	2	Washer Metric	From Serial or Engine Number 3448
160	390147X1	2	Pin	From Serial or Engine Number 3448

(A)  
NO LONGER SERVICED

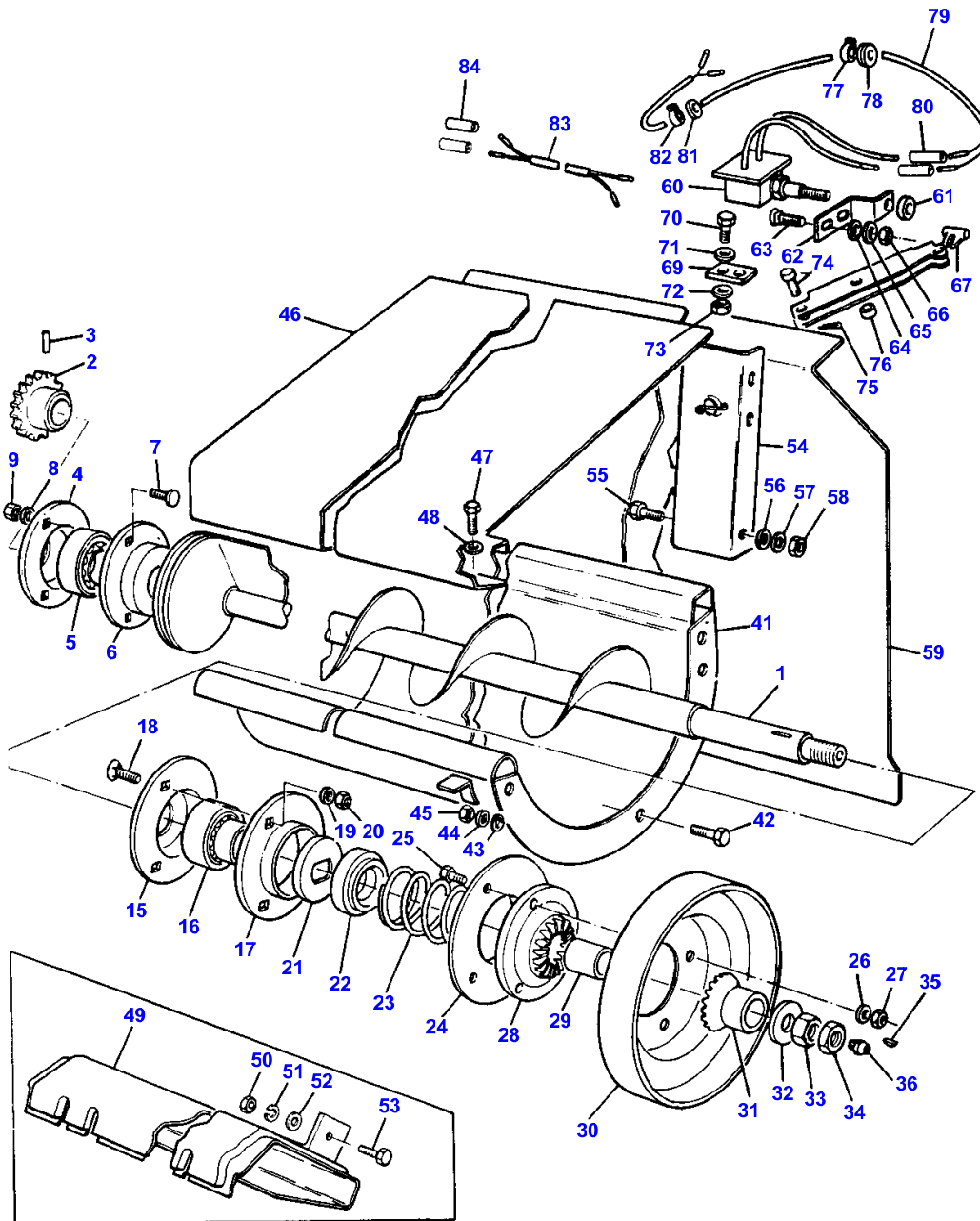
890

CASCADE SEPARATOR  
 VIS EMBRAYAGE DE SECURITE  
 SCHNECKE UEBERLASTKUPPLUNG  
 SEPARATORE DI CADUTA  
 SIN FIN EMBRAGUE

AUGER AND SLIP CLUTCH  
 MULTIFLOW  
 KASKADENABSCHIEDER  
 COCLEA E FRIZIONE  
 SEPARADOUR EN CASCADA

24873001

3-2497-001-A



PRINTED IN U.K.

520 525

819611-M (1)

CASCADE SEPARATOR AUGER AND SLIP CLUTCH

Item	Part Number	Qty	Description	Comments
1	795724M93	1	Worm	
2	914700M91	1	Sprocket	
3	360227X1	1	Pin	
4	831834M1	1	Flange	
5	353134X1	1	Bearing Assy	
6	832525M1	1	Flange	
7	359038X1	3	Bolt Unf	
8	3034329M2	3	Shaft	
9	353916X1	3	Nut Unf	
15	832525M1	1	Flange	
16	353134X1	1	Bearing Assy	
17	831834M1	1	Flange	
18	359038X1	3	Bolt Unf	
19	3005934X1	3	Nut	
20	353916X1	3	Nut Unf	
21	230240M1	1	Washer	
22	230239M1	1	Bearing	
23	794933M1	1	Spring	
24	228987M1	1	Plate	
25	353519X1	5	Screw Unf	
26	353446X1	5	Lock Washer	
27	353916X1	5	Nut Unf	
28	1883765M91	1	Clutch	
29	795995M1	1	Bush	
30	796334M91	1	Pulley	
31	1616969M1	1	Clutch	
32	353774X1	1	Washer	
33	353427X1	1	Nut Unf	
34	353429X1	1	Nut Unf	
35	MP 1342	1	Key	
36	MP 1056	1	Grease Nipple	
41	789047M92	1	Trough	
42	359038X1	10	Bolt Unf	
43	353755X1	10	Washer	
44	353446X1	10	Lock Washer	
45	353916X1	10	Nut Unf	
46	1855338M91	1	Plate	(A)
47	353519X1	3	Screw Unf	
48	353446X1	3	Lock Washer	
49	783505M92	1	Extension	
50	353916X1	2	Nut Unf	
51	353446X1	2	Lock Washer	
52	353755X1	2	Washer	
53	353516X1	2	Screw Unf	
54	789064M91	1	Support	Right Hand
	789062M91	1	Support	Left Hand
55	359038X1	6	Bolt Unf	
56	353755X1	6	Washer	
57	353446X1	6	Lock Washer	
58	353916X1	6	Nut Unf	
59	789055M91	1	Panel	
60	784697M91	1	Switch	
61	359404X1	1	Lock Washer	
62	794995M1	1	Bracket	
63	359998X1	2	Bolt Unf	
64	353755X1	2	Washer	
65	353446X1	2	Lock Washer	
66	353916X1	2	Nut Unf	
67	228644M1	1	Fork	
68	795756M1	1	Lever	
69	795755M1	1	Strap	
70	353517X1	1	Screw Unf	
71	353755X1	1	Washer	
72	353446X1	1	Lock Washer	
73	353916X1	1	Nut Unf	
74	832297M1	3	Clevis Pin	
75	354039X1	3	Cotter	
76	360698X1	1	Spacer	
77	360031X1	1	Clip	
78	210280M1	1	Grommet	

**MASSEY FERGUSON  
MF 520/525 COMBINES - 819611**

819611

**CASCADE SEPARATOR AUGER AND SLIP CLUTCH**

890

Item	Part Number	Qty	Description	Comments
79	784467M95	1	Harness	
80	900288	2	Connector	(B)
81	210280M1	1	Grommet	
82	360049X1	2	Clamp	
83	784468M92	1	Harness	
84	850641	2	Connector	(B)
				(A) SUPPLIED LOOSE
				(B) SUPPLIED BY LUCAS

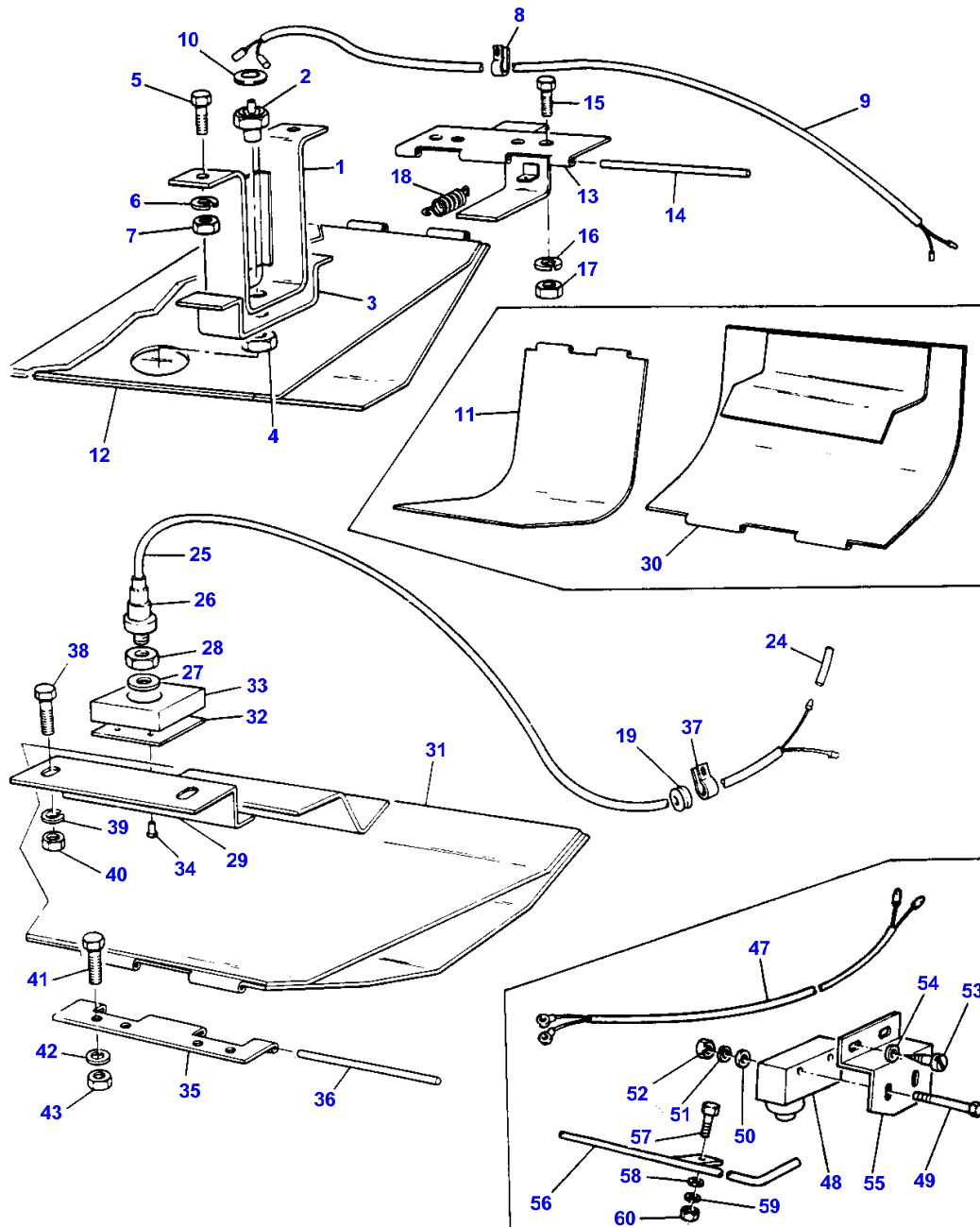
894

CASCADE SEPARATOR  
 AVERTISSEUR  
 SIGNAL HORN  
 SEPARATORE DI CADUTA  
 BOCINA

ALARMS  
 MULTIFLOW  
 KASKADEN ABSCHIEDER  
 ALLARMI  
 SEPERADOUR EN CASCADA

24983001

3-2498-001-B



PRINTED IN U.K.

520 525

819611-H (1)

**CASCADE SEPARATOR ALARMS**

Item	Part Number	Qty	Description	Comments
1	785921M91	1	Bracket	
2	34923	1	Switch	(D) Up to Serial or Engine Number 1635
2	39121	1	Switch	(D) From Serial or Engine Number 1635
3	914974M1	1	Bracket	
4	377057X1	1	Nut	
5	353516X1	2	Screw Unf	
6	353446X1	2	Lock Washer	
7	353916X1	2	Nut Unf	
8	360031X1	1	Clip	
9	784480M91	1	Harness	Up to Serial or Engine Number 1635
	1615041M3	1	Harness	From Serial or Engine Number 1635
10	210280M1	2	Grommet	
11	785917M92	1	Flap	Up to Serial or Engine Number 1635
12	914782M91	1	Flap	From Serial or Engine Number 1635
13	785919M92	1	Hinge	Up to Serial or Engine Number 1635
	785919M92	3	Hinge	From Serial or Engine Number 1635
14	785708M1	1	Rod	Up to Serial or Engine Number 1635
	785708M1	3	Rod	From Serial or Engine Number 1635
15	353516X1	2	Screw Unf	Up to Serial or Engine Number 1635
	353516X1	6	Screw Unf	From Serial or Engine Number 1635
16	353446X1	2	Lock Washer	Up to Serial or Engine Number 1635
	353446X1	6	Lock Washer	From Serial or Engine Number 1635
17	353916X1	2	Nut Unf	Up to Serial or Engine Number 1635
	353916X1	6	Nut Unf	From Serial or Engine Number 1635
18	14581A	1	Spring	Up to Serial or Engine Number 1635
	14581A	3	Spring	From Serial or Engine Number 1635
19	210280M1	1	Grommet	
25	784464M91	1	Harness	Up to Serial or Engine Number 1635
	1615040M3	1	Harness	From Serial or Engine Number 1635
				Up to Serial or Engine Number 7529
26	34923	1	Switch	(D) Up to Serial or Engine Number 1635
26	39121	1	Switch	(D) From Serial or Engine Number 1635
				Up to Serial or Engine Number 4556
27	1868485M1	1	Washer	(A) From Serial or Engine Number 3753
				Up to Serial or Engine Number 7529
28	377057X1	1	Nut	Up to Serial or Engine Number 4556
29	787828M2	1	Bracket	Up to Serial or Engine Number 7529
30	789364M91	1	Flap	Up to Serial or Engine Number 1635
31	914791M92	1	Flap	From Serial or Engine Number 1635
32	1616289M1	1	Plate	Up to Serial or Engine Number 7529
33	1616290M2	1	Seal	(A) Up to Serial or Engine Number 4556
34	377327X1	2	Rivet	(A)
35	785701M2	1	Hinge	Up to Serial or Engine Number 1635
	785701M2	4	Hinge	From Serial or Engine Number 1635
36	785708M1	1	Rod	Up to Serial or Engine Number 1635
	785708M1	4	Rod	From Serial or Engine Number 1635
37	353516X1	2	Screw Unf	Up to Serial or Engine Number 1635
	353516X1	8	Screw Unf	From Serial or Engine Number 1635
38	353446X1	2	Lock Washer	Up to Serial or Engine Number 1635
	353446X1	8	Lock Washer	From Serial or Engine Number 1635
39	353916X1	2	Nut Unf	Up to Serial or Engine Number 1635
	353916X1	8	Nut Unf	From Serial or Engine Number 1635
40	360031X1	1	Clip	Up to Serial or Engine Number 1635
41	353516X1	1	Screw Unf	
42	353446X1	1	Lock Washer	
43	353916X1	1	Nut Unf	
47	3044109M1	1	Harness	From Serial or Engine Number 7529
48	3044110M1	1	Switch,Indirect	From Serial or Engine Number 7529
49	358683X1	2	Bolt	From Serial or Engine Number 7529
50	355615X1	2	Washer	From Serial or Engine Number 7529
51	195441M1	2	Washer	From Serial or Engine Number 7529
52	354118X1	2	Nut Unc	From Serial or Engine Number 7529
53	365927X1	2	Self Tap Screws	From Serial or Engine Number 7529
54	353754X1	2	Washer	From Serial or Engine Number 7529

CASCADE SEPARATOR ALARMS

Item	Part Number	Qty	Description	Comments
55	3044089M1	1	Shield	From Serial or Engine Number 7529
56	3044088M1	1	Rod	From Serial or Engine Number 7529
57	353517X1	1	Screw Unf	From Serial or Engine Number 7529
58	353755X1	2	Washer	From Serial or Engine Number 7529
59	353446X1	1	Lock Washer	From Serial or Engine Number 7529
60	353916X1	1	Nut Unf	From Serial or Engine Number 7529

(A)  
INCLUDED IN KIT 1616293M91

(B)  
INCLUDES ITEMS MARKED (A)

(C)  
NO LONGER SERVICED ORDER DETAILS

(D)  
SERVICED BY LUCAS

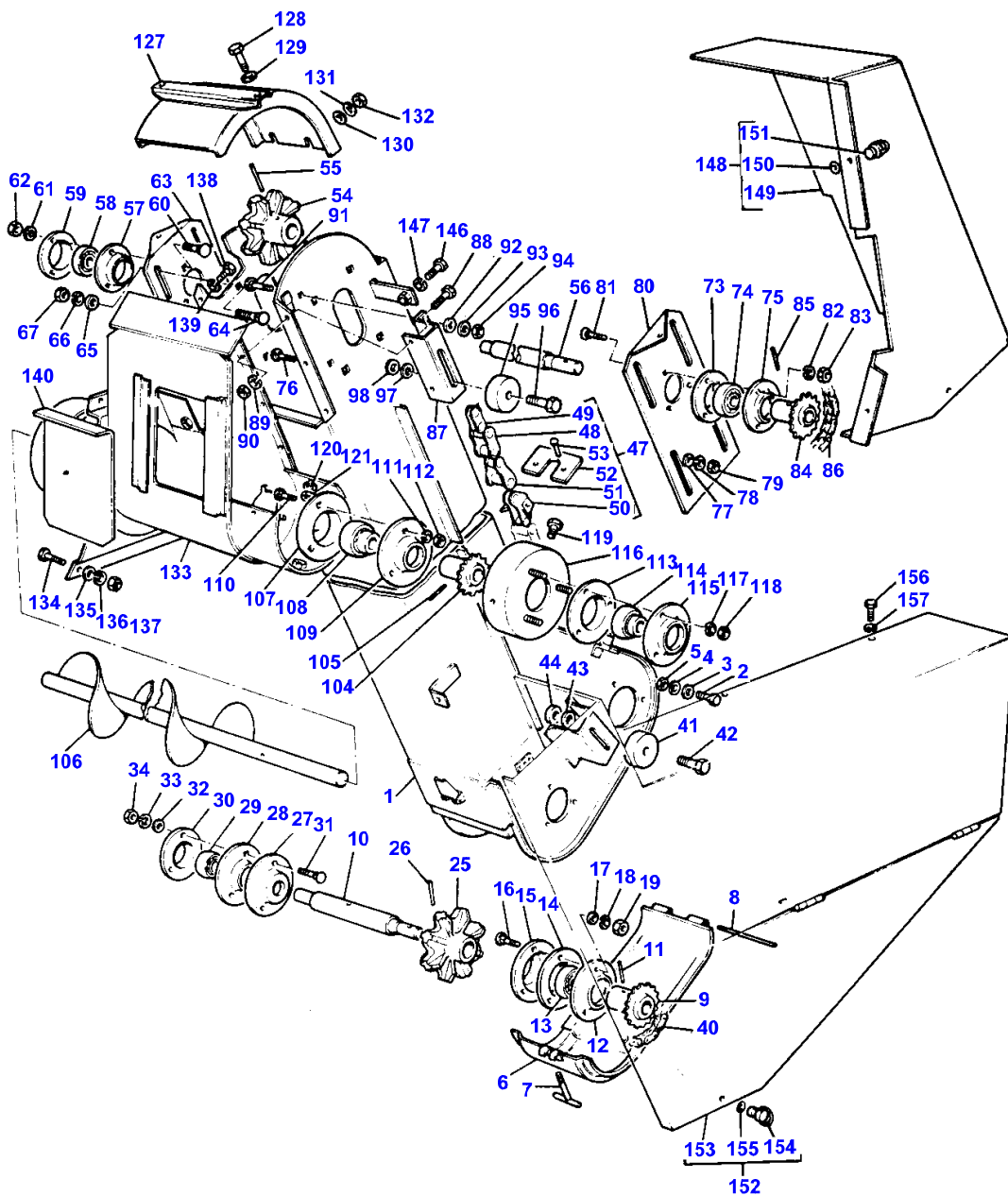
898

CASCADE SEPARATOR  
 ELEVATEUR A GRAINS  
 KORNERLEVATOR KASKADEN  
 SEPARATORE DI CADUTA  
 ELEVADOR DEL GRANO

GRAIN ELEVATOR  
 MULTIFLOW  
 ABSCHIEDER  
 ELEVATORE GRANO  
 SEPARADOR EN CASCADA

24993001

3-2499-001-A



PRINTED IN U.K.

620 626

819611-H / 11



Item	Part Number	Qty	Description	Comments
1	788978M91	1	Elevator	
2	359038X1	6	Bolt Unf	
3	353755X1	6	Washer	
4	353446X1	6	Lock Washer	
5	353916X1	6	Nut Unf	
6	796362M91	1	Bottom	
7	230882M91	1	Latch	
8	796352M1	1	Pin	
9	796274M92	1	Sprocket	
10	796517M2	1	Shaft	
11	360227X1	1	Pin	
12	22632X	1	Flange	
13	353152X1	1	Bearing	
14	22632X	1	Flange	
15	796353M1	1	Shield	
16	354484X1	3	Bolt Unf	
17	353755X1	3	Washer	
18	353446X1	3	Lock Washer	
19	353916X1	3	Nut Unf	
25	794445M2	1	Sprocket	
26	360237X1	1	Spirol Pin	
27	796353M1	1	Shield	
28	22632X	1	Flange	
29	353152X1	1	Bearing	
30	22632X	1	Flange	
31	354484X1	3	Bolt Unf	
32	353755X1	3	Washer	
33	353446X1	3	Lock Washer	
34	353916X1	3	Nut Unf	
40	785216M91	1	Chain	(A)
41	243346M1	1	Roller	
42	353565X1	1	Bolt Unf	
43	353757X1	2	Washer	
44	226797M1	1	Nut	
47	788998M91	1	Chain	
48	329797M91	1	Connecting Link	(47)
49	329176M91	21	Link	(47)
50	329244M91	21	Link	(47)
51	329798M92	2	Link	(47)
52	785202M1	21	Pad	(47)
53	832662M1	42	Rivet	(47)
54	794445M2	1	Sprocket	
55	360237X1	1	Spirol Pin	
56	794956M2	1	Shaft	
57	22632X	1	Flange	
58	353152X1	1	Bearing	
59	22632X	1	Flange	
60	353727X1	3	Screw Unc	
61	353446X1	3	Lock Washer	
62	353916X1	3	Nut Unf	
63	228985M91	1	Plate	
64	354484X1	4	Bolt Unf	
65	353755X1	4	Washer	
66	353446X1	4	Lock Washer	
67	353916X1	4	Nut Unf	
73	22632X	1	Flange	
74	353152X1	1	Bearing	
75	22632X	1	Flange	
76	354484X1	4	Bolt Unf	
77	353755X1	4	Washer	
78	353446X1	4	Lock Washer	
79	353916X1	4	Nut Unf	
80	228985M91	1	Plate	
81	353727X1	3	Screw Unc	
82	353446X1	3	Lock Washer	
83	353916X1	3	Nut Unf	
84	794957M92	1	Sprocket	
85	360227X1	1	Pin	
86	234941M91	1	Chain	(A)
87	796464M1	1	Bracket	

**CASCADE SEPARATOR GRAIN ELEVATOR**

Item	Part Number	Qty	Description	Comments
88	353516X1	2	Screw Unf	
89	353446X1	2	Lock Washer	
90	353916X1	2	Nut Unf	
91	354484X1	2	Bolt Unf	
92	355802X1	2	Washer	
93	353446X1	2	Lock Washer	
94	353916X1	2	Nut Unf	
95	243346M1	1	Roller	
96	353565X1	1	Bolt Unf	
97	353757X1	1	Washer	
98	226797M1	1	Nut	
104	914700M91	1	Sprocket	
105	360227X1	1	Pin	
106	795674M93	1	Auger	
107	22632X	1	Flange	
108	353114X1		Bearing	
109	22632X	1	Flange	
110	353791X1	3	Bolt Unf	
111	353446X1	3	Lock Washer	
112	353916X1	3	Nut Unf	
113	22632X	1	Flange	
114	353114X1	1	Bearing	
115	22632X	1	Flange	
116	795677M91	1	Cap	
117	353446X1	3	Lock Washer	
118	353916X1	3	Nut Unf	
119	353515X1	3	Screw Unf	
120	353446X1	3	Lock Washer	
121	353916X1	3	Nut Unf	
127	793768M91	1	Cap	
128	831641M1	2	Bolt	
129	353757X1	2	Washer	
130	353755X1	2	Washer	
131	353446X1	2	Lock Washer	
132	353916X1	2	Nut Unf	
133	788990M91	1	Tube	
134	359038X1	4	Bolt Unf	
135	353755X1	4	Washer	
136	353446X1	4	Lock Washer	
137	353916X1	4	Nut Unf	
138	353515X1	3	Screw Unf	
139	353446X1	3	Lock Washer	
140	789426M1	1	Door	
146	353515X1	4	Screw Unf	
147	353446X1	4	Lock Washer	
148	789464M92	1	Guard	
149		1	Guard	(148)
150	788916M1	5	Stud	(148)
151	788392M1	5	Washer	(148)
152	789463M91	1	Guard	
153		1	Guard	(152)
154	788916M1	1	Stud	(152)
155	788392M1	1	Washer	(152)
156	353515X1	7	Screw Unf	
157	353446X1	7	Lock Washer	

(A)  
FOR SERVICE BREAKDOWN REFER TO CHAIN SECTION

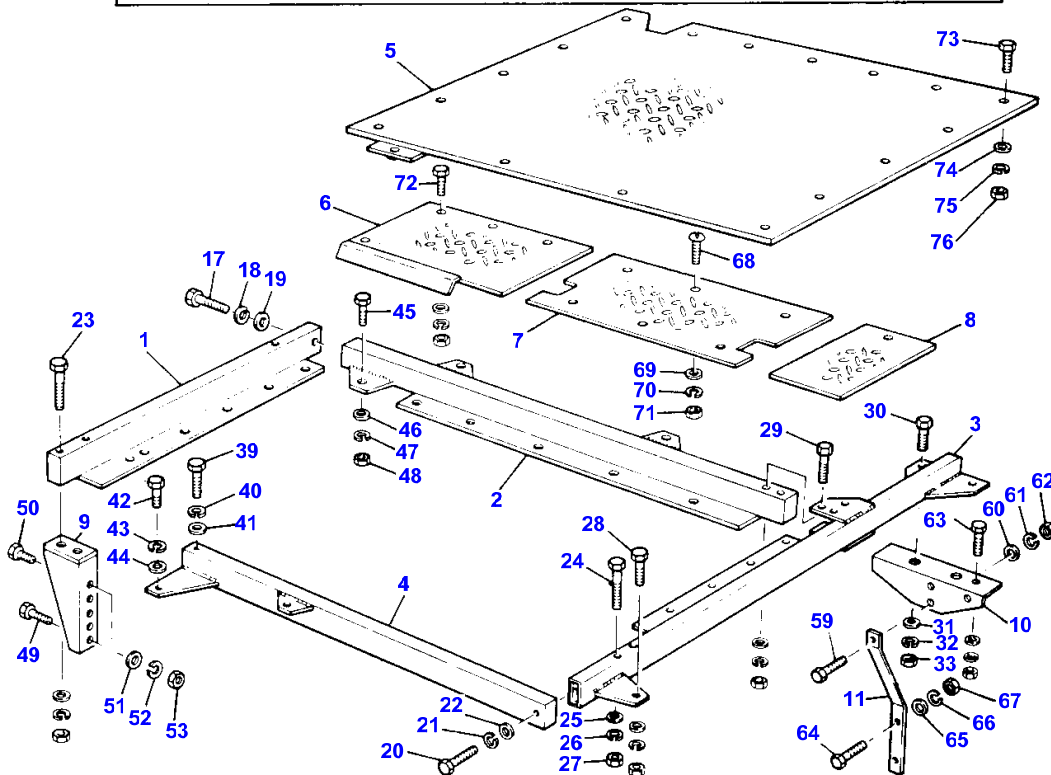
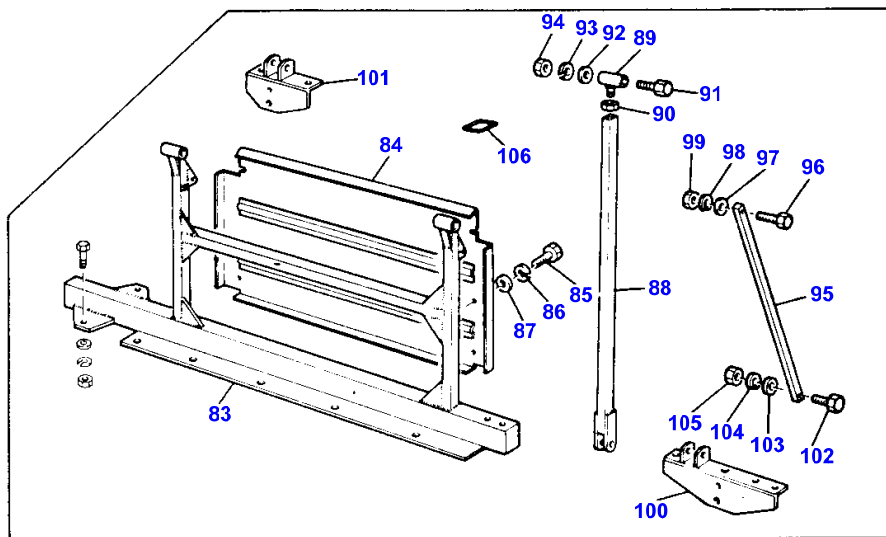
904

BAGGER ATTACHMENT  
 ACCESSOIRE ENSACHEUR  
 ABSACKVORRICHTUNG  
 INSACCATRICE  
 ACCESORIO ENSACADOR

DECK PLATES AND BEAMS  
 PLAQUES DE PLATEFORME ET POUTRES  
 ABDECKPLATTEN UND SCHIENEN  
 PIASTRA DI ATTACCO E BRACCI  
 PLACAS Y VIGAS DE PISO

34713001

3-3471-001-A



PRINTED IN U.K.

520 525

819611-H (1)

**MASSEY FERGUSON****MF 520/525 COMBINES - 819611**

819611

904

**BAGGER ATTACHMENT DECK PLATES AND BEAMS**

Item	Part Number	Qty	Description	Comments
1	1891919M91	1	Beam	
2	1891920M91	1	Beam	(A)
3	1891921M91	1	Beam	
4	1891922M91	1	Beam	
5	1891923M91	1	Platform	
6	1891924M1	1	Platform	Left Hand
7	1891925M1	1	Plate	
8	1891926M1	1	Platform	Right Hand
9	1891927M91	1	Support	
10	1892369M91	1	Bracket	(A)
11	1891929M1	1	Brace	
17	353575X1	1	Bolt Unf	
18	353432X1	1	Lock Washer	
19	353757X1	1	Washer	
20	353575X1	1	Bolt Unf	
21	353432X1	1	Lock Washer	
22	353757X1	1	Washer	
23	353591X1	1	Bolt Unf	
24	353591X1	1	Bolt Unf	
25	353757X1	2	Washer	
26	353432X1	2	Lock Washer	
27	353426X1	2	Nut Unf	
28	353559X1	1	Screw Unf	
29	354532X1	2	Bolt	
30	353561X1	2	Screw Unf	
31	353757X1	5	Washer	
32	353432X1	5	Lock Washer	
33	353426X1	5	Nut Unf	
39	357310X1	1	Bolt	
40	353446X1	1	Lock Washer	
41	353755X1	1	Washer	
42	353517X1	1	Screw Unf	
43	353446X1	1	Lock Washer	
44	353755X1	1	Washer	
45	353519X1	1	Screw Unf	
46	353755X1	1	Washer	
47	353446X1	1	Lock Washer	
48	353916X1	1	Nut Unf	
49	353519X1	1	Screw Unf	
50	353517X1	1	Screw Unf	
51	353755X1	5	Washer	
52	353446X1	5	Lock Washer	
53	353916X1	5	Nut Unf	
59	353561X1	1	Screw Unf	
60	353757X1	1	Washer	
61	353432X1	1	Lock Washer	
62	353426X1	1	Nut Unf	
63	353519X1	1	Screw Unf	
64	353519X1	4	Screw Unf	
65	353755X1	5	Washer	
66	353446X1	5	Lock Washer	
67	353916X1	5	Nut Unf	
68	1891960M1	11	Screw	
69	353755X1	11	Washer	
70	353446X1	11	Lock Washer	
71	353916X1	11	Nut Unf	
72	353517X1	1	Screw Unf	
73	353517X1	19	Screw Unf	
74	353755X1	20	Washer	
75	353446X1	20	Lock Washer	
76	353916X1	20	Nut Unf	
83	1892088M91	1	Frame	(B)
84	1892093M91	1	Screen	(B)
85	353519X1	4	Screw Unf	(B)
86	353446X1	4	Lock Washer	(B)
87	353755X1	4	Washer	(B)
88	1892091M91	2	Brace	(B)
89	1892092M91	2	End	(B)
90	353437X1	2	Nut Unf	(B)
91	353575X1	2	Bolt Unf	(B)

BAGGER ATTACHMENT DECK PLATES AND BEAMS

Item	Part Number	Qty	Description	Comments
92	353757X1	2	Washer	(B)
93	353432X1	2	Lock Washer	(B)
94	353426X1	2	Nut Unf	(B)
95	1892090M1	2	Brace	(B)
96	353527X1	2	Screw	(B)
97	353755X1	2	Washer	(B)
98	353446X1	2	Lock Washer	(B)
99	353916X1	2	Nut Unf	(B)
100	1891928M91	1	Bracket	(B)
101	1892089M91	1	Bracket	(B)
102	353573X1	2	Bolt Unf	(B)
103	353757X1	2	Washer	(B)
104	353432X1	2	Lock Washer	(B)
105	353426X1	2	Nut Unf	(B)
106	1892094M1	2	Clip	(B)

(A)  
FOR USE WITH NON ROTARY SCREEN BAGGER

(B)  
FOR USE WITH ROTARY SCREEN BAGGER

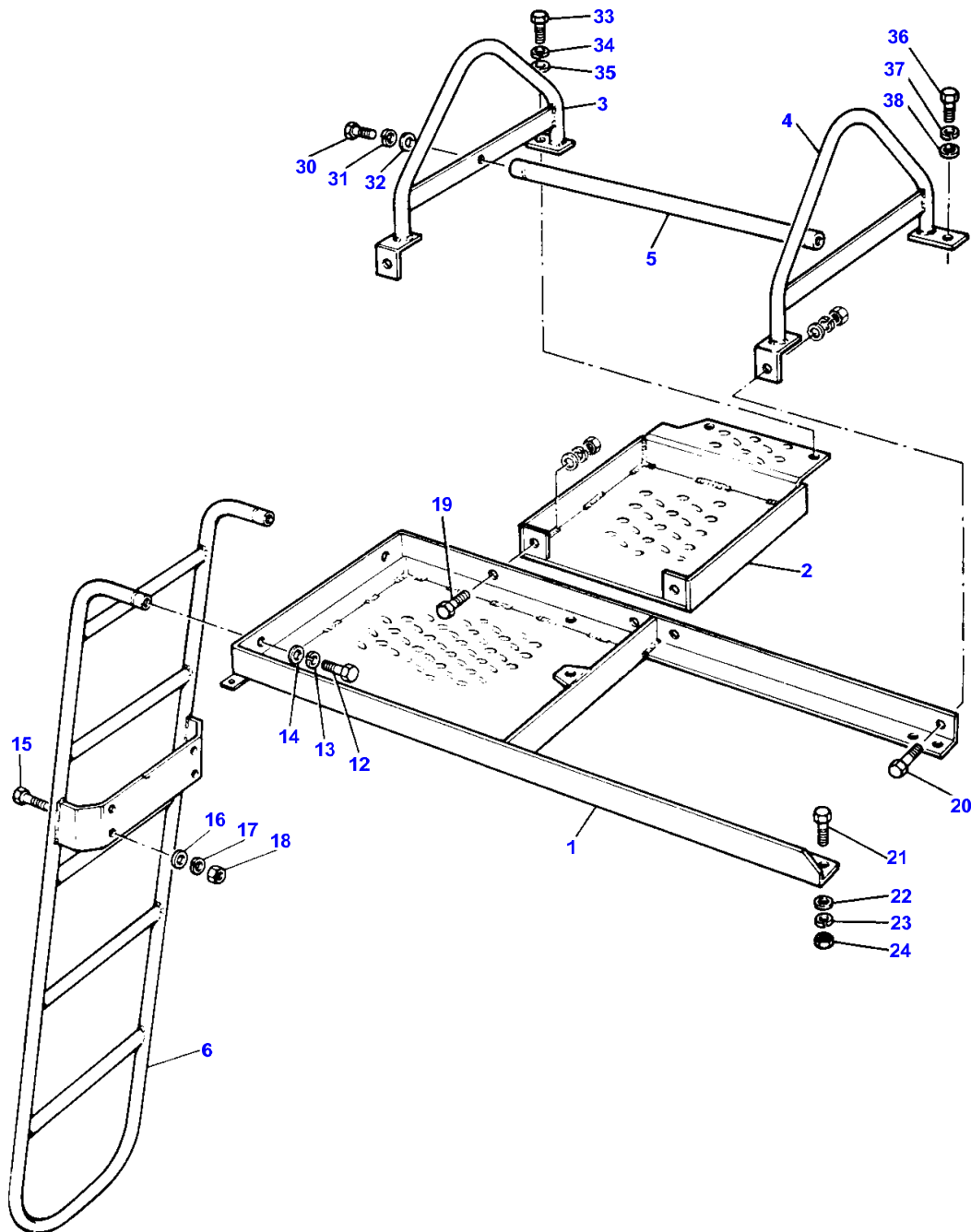
908

BAGGER ATTACHMENT  
 ACCESSOIRE ENSACHEUR  
 ABSACKVORRICHTUNG  
 INSACCATRICE  
 ACCESORIO ENSACADOR

ACCESS LADDER AND WALKWAY  
 ECHELLE D'ACCES ET PASSERELLE  
 AUFSTIEG LEITER UND PLATTFORM  
 SCALETTA DI SALITA E TRAVERSA  
 ESCALERA DE ACCESO Y PASARELA

34723001

3-3472-001-A



PRINTED IN U.K.

520 525

819611-H (1)

<b>Item</b>	<b>Part Number</b>	<b>Qty</b>	<b>Description</b>	<b>Comments</b>
1	1891961M91	1	Platform	
2	1891962M91	1	Bridge	
3	1891963M91	1	Frame	Left Hand
4	1891964M91	1	Frame	Right Hand
5	1891965M1	1	Bar	
6	1891966M91	1	Ladder	
12	353559X1	2	Screw Unf	
13	353432X1	2	Lock Washer	
14	353757X1	2	Washer	
15	353519X1	4	Screw Unf	
16	353755X1	4	Washer	
17	353446X1	4	Lock Washer	
18	353916X1	4	Nut Unf	
19	353519X1	2	Screw Unf	
20	353519X1	2	Screw Unf	
21	353519X1	6	Screw Unf	
22	353755X1	10	Washer	
23	353446X1	10	Lock Washer	
24	353916X1	10	Nut Unf	
30	353559X1	2	Screw Unf	
31	353432X1	2	Lock Washer	
32	353757X1	2	Washer	
33	353519X1	1	Screw Unf	
34	353446X1	1	Lock Washer	
35	353755X1	1	Washer	
36	353517X1	1	Screw Unf	
37	353446X1	1	Lock Washer	
38	353755X1	1	Washer	

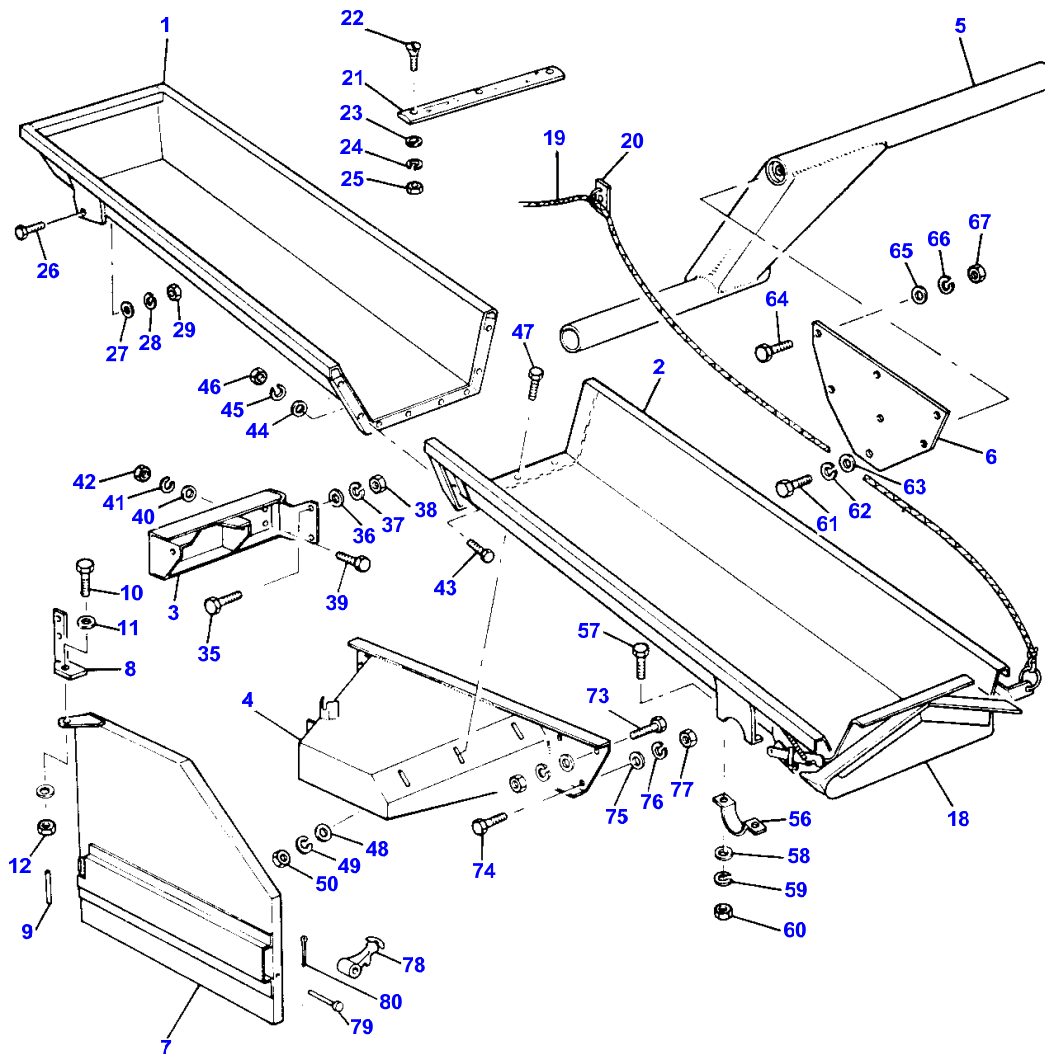
910

BAGGER ATTACHMENT  
 ACCESSOIRE ENSACHEUR  
 ABSACKVORRICHTUNG  
 INSACCATRICE  
 ACCESORIO ENSACADOR

BAG CHUTE  
 GLISSIERE DE SAC  
 SACKRUTSCHE  
 SCIVOLO PER RIEMPIMENTO  
 CAIDA PARA SACOS

34733001

3-3473-001-A





**MASSEY FERGUSON****MF 520/525 COMBINES - 819611**

819611

**BAGGER ATTACHMENT BAG CHUTE**

910

Item	Part Number	Qty	Description
1	1891967M91	1	Chute
2	1891968M91	1	Chute
3	1891969M91	1	Bracket
4	1891970M91	1	Bracket
5	1891971M91	1	Bracket
6	1891972M1	2	Plate
7	1891973M91	1	Panel
8	1891974M91	1	Hinge
9	784462M2	1	Pin
10	353517X1	1	Screw Unf
11	353755X1	1	Washer
12	376447X1	2	Nut Unf
19	1891978M1	1	Rope
20	1891977M91	1	Guide
21	1891976M1	4	Strip
22	375415X1	12	Screw Unf
23	353755X1	12	Washer
24	353446X1	12	Lock Washer
25	353916X1	12	Nut Unf
26	353559X1	2	Screw Unf
27	353757X1	2	Washer
28	353432X1	2	Lock Washer
29	353426X1	2	Nut Unf
35	376305X1	2	Screw Unf
36	353755X1	2	Washer
37	353446X1	2	Lock Washer
38	353916X1	2	Nut Unf
39	353519X1	5	Screw Unf
40	353755X1	5	Washer
41	353446X1	5	Lock Washer
42	353916X1	5	Nut Unf
43	353517X1	8	Screw Unf
44	353755X1	8	Washer
45	353446X1	8	Lock Washer
46	353916X1	8	Nut Unf
47	353517X1	3	Screw Unf
48	353755X1	3	Washer
49	353446X1	3	Lock Washer
50	353916X1	3	Nut Unf
56	1891975M1	2	Clamp
57	353519X1	4	Screw Unf
58	353755X1	4	Washer
59	353446X1	4	Lock Washer
60	353916X1	4	Nut Unf
61	353611X1	2	Screw Unf
62	353433X1	2	Lock Washer
63	353760X1	2	Flat Washers
64	353519X1	12	Screw Unf
65	353755X1	12	Washer
66	353446X1	12	Lock Washer
67	353916X1	12	Nut Unf
73	353517X1	X	Screw Unf
74	353517X1	X	Screw Unf
75	353755X1	X	Washer
76	353446X1	X	Lock Washer
77	353916X1	X	Nut Unf
78	403657M1	1	Fastener
79	403660M1	1	Pin
80	390147X1	1	Pin

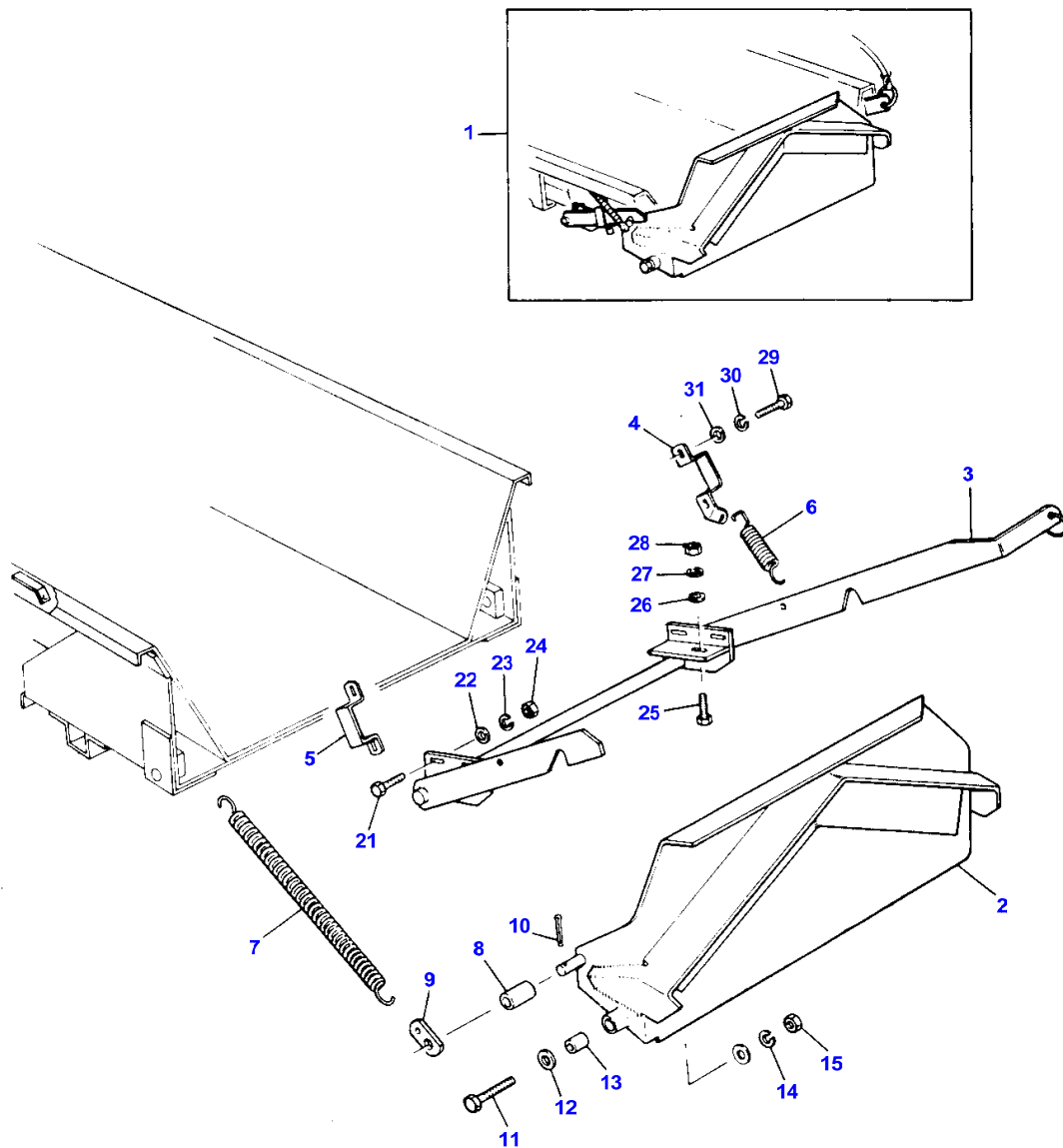
914

BAGGER ATTACHMENT  
 ACCESSOIRE ENSACHEUR  
 ABSACKVORRICHTUNG  
 INSACCATRICE  
 ACCESORIO ENSACADOR

BAG CHUTE DOOR  
 PORTE DE GLISSIERE DE SAC  
 SACKRUTSCHETUER  
 PORTA PER SCIVOLO  
 PUERTA DE CAIDA PARA SACOS

34743001

3-3474-001-A



BAGGER ATTACHMENT BAG CHUTE DOOR

Item	Part Number	Qty	Description	Comments
1	1891979M91	1	Door	
2	1891980M91	1	Door	
3	1891981M91	1	Latch	(1)
4	1891982M1	1	Bracket	(1) Right Hand
5	1891983M1	1	Bracket	(1) Left Hand
6	1891984M1	1	Spring	(1)
7	1891985M1	2	Spring	(1)
8	1891986M1	2	Sleeve	(1)
9	1891987M1	2	Plate	(1)
10	354050X1	2	Pin	(1)
11	353548X1	2	Bolt Unf	(1)
12	353756X1	4	Washer	(1)
13	1891988M1	2	Bush	(1)
14	353434X1	2	Lock Washer	(1)
15	353431X1	2	Nut Unf	(1)
21	353517X1	4	Screw Unf	(1)
22	353755X1	4	Washer	(1)
23	353446X1	4	Lock Washer	(1)
24	353916X1	4	Nut Unf	(1)
25	353517X1	2	Screw Unf	(1)
26	353755X1	2	Washer	(1)
27	353446X1	2	Lock Washer	(1)
28	353916X1	2	Nut Unf	(1)
29	353503X1	4	Screw Unf	(1)
30	353441X1	4	Lock Washer	(1)
31	353754X1	4	Washer	(1)

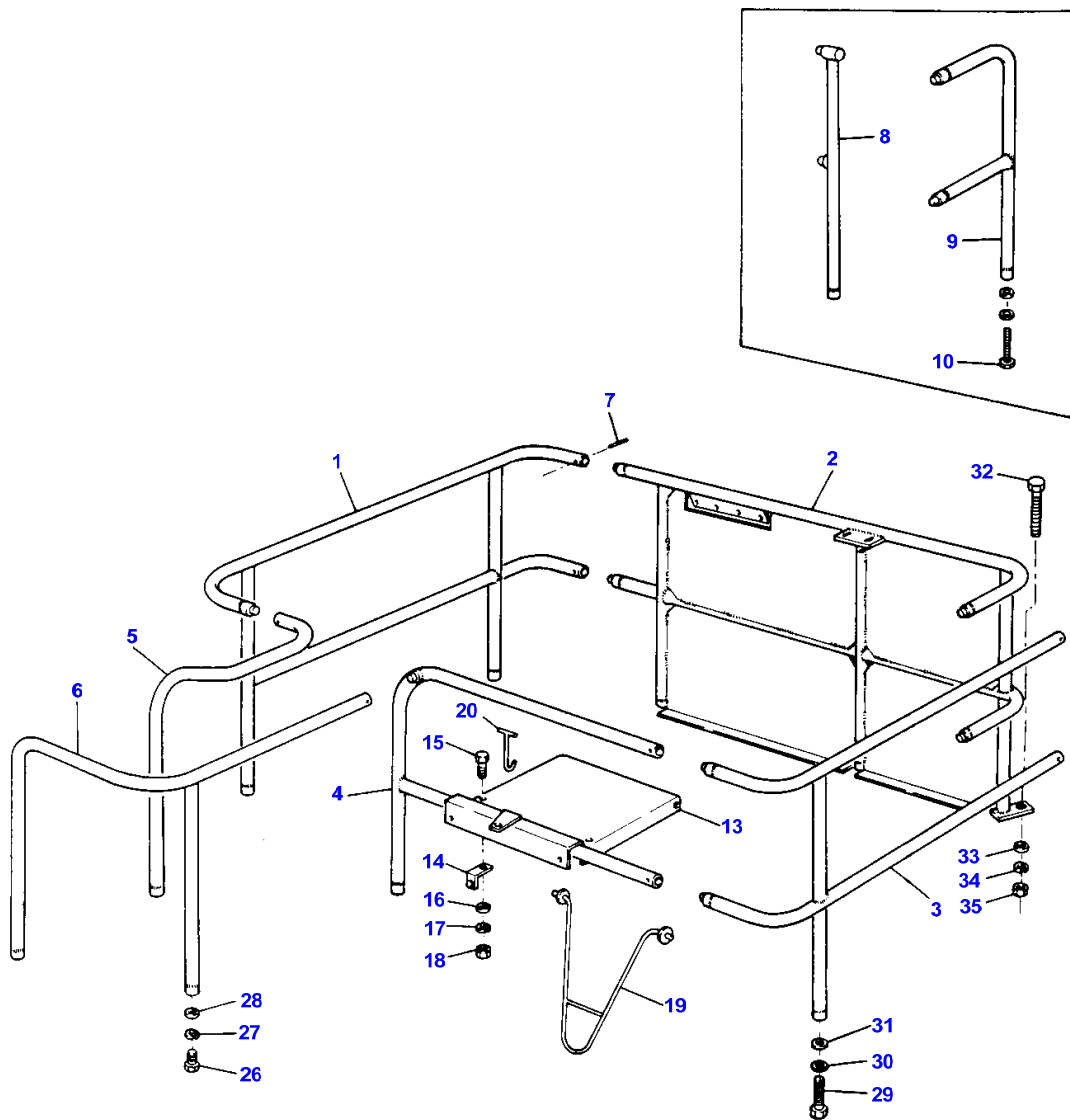
916

BAGGER ATTACHMENT  
 ACCESSOIRE ENSACHEUR  
 ABSACKVORRICHTUNG  
 INSACCATRICE  
 ACCESORIO ENSACADOR

HAND RAILS  
 RAMBARDE  
 GELAENDER  
 PASSAMANO  
 PASAMANOS

34753001

3-3475-001-A



PRINTED IN U.K.

520 525

819611-H (1)

BAGGER ATTACHMENT HAND RAILS

Item	Part Number	Qty	Description	Comments
1	1891989M91	1	Rail	Left Hand
2	1891990M91	1	Rail	(A)
3	1891991M91		Rail	Right Hand
4	1891992M91	1	Rail	
5	1891993M91	1	Rail	
6	1891994M91	1	Rail	
7	346731X1	8	Pin	
8	1892095M91	1	Stanchion	(B)
9	1892096M91	1	Rail	(B)
10	354427X1	1	Bolt	
13	1891995M91	1	Seat	
14	1891998M1	2	Clip	
15	353517X1	4	Screw Unf	
16	353755X1	4	Washer	
17	353446X1	4	Lock Washer	
18	353916X1	4	Nut Unf	
19	1891996M91	1	Support	
20	1891997M91	1	Knotter Hook	
26	353559X1	6	Screw Unf	
27	353432X1	6	Lock Washer	
28	353757X1	6	Washer	
29	353591X1	3	Bolt Unf	
30	353432X1	3	Lock Washer	
31	353757X1	3	Washer	
32	354536X1	1	Bolt Unf	
33	353757X1	1	Washer	
34	353432X1	-	Lock Washer	
35	353426X1	1	Nut Unf	

(A)  
FOR USE WITH NON ROTARY SCREEN BAGGER

(B)  
FOR USE WITH ROTARY SCREEN BAGGER

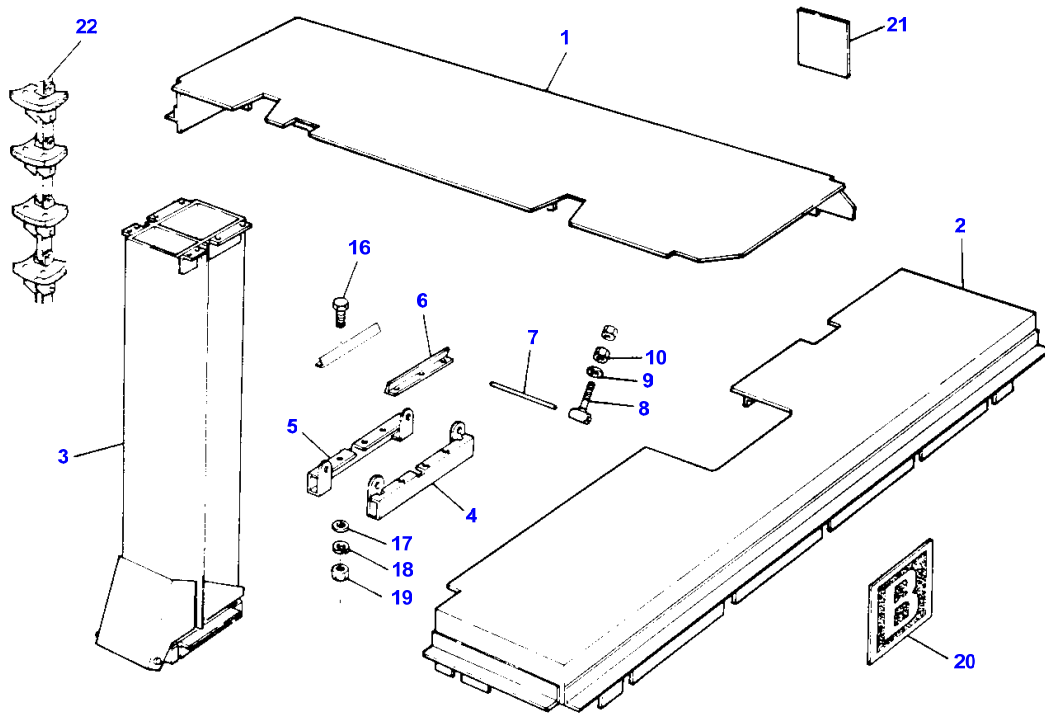
918

BAGGER ATTACHMENT  
 ACCESSOIRE ENSACHEUR  
 ABSACKVORRICHTUNG  
 INSACCATRICE  
 ACCESORIO ENSACADOR

ELEVATOR EXTENSION  
 EXTENSION D'ELEVATEUR  
 ELEVATOR VERLAENGERUNG  
 PROLUNGA ELEVATORE  
 EXTENSION DE ELEVADOR

34763001

3-3476-001-A



BAGGER ATTACHMENT ELEVATOR EXTENSION

Item	Part Number	Qty	Description	Comments
1	1891999M91	1	Panel	
2	1892000M91	1	Panel	
3	1892001M91	1	Extension	
4	1892002M91	1	Bracket	Right Hand
5	1892003M91	1	Bracket	Left Hand
6	1892004M1	1	Angle	
7	1892005M1	1	Rod	
8	1892006M91	2	Clamp	
9	353755X1		Washer	
10	353916X1	4	Nut Unf	
16	353517X1	6	Screw Unf	
17	353755X1	6	Washer	
18	353446X1	6	Lock Washer	
19	353916X1	6	Nut Unf	
20	1892007M1	2	Decal	
21	1892008M1	1	Decal	
22	1892009M91	1	Chain	(A)
23	1892097M91	1	Chain	(B)

(A)

FOR USE WITH NON ROTARY SCREEN BAGGER

(B)

FOR USE WITH ROTARY SCREEN BAGGER

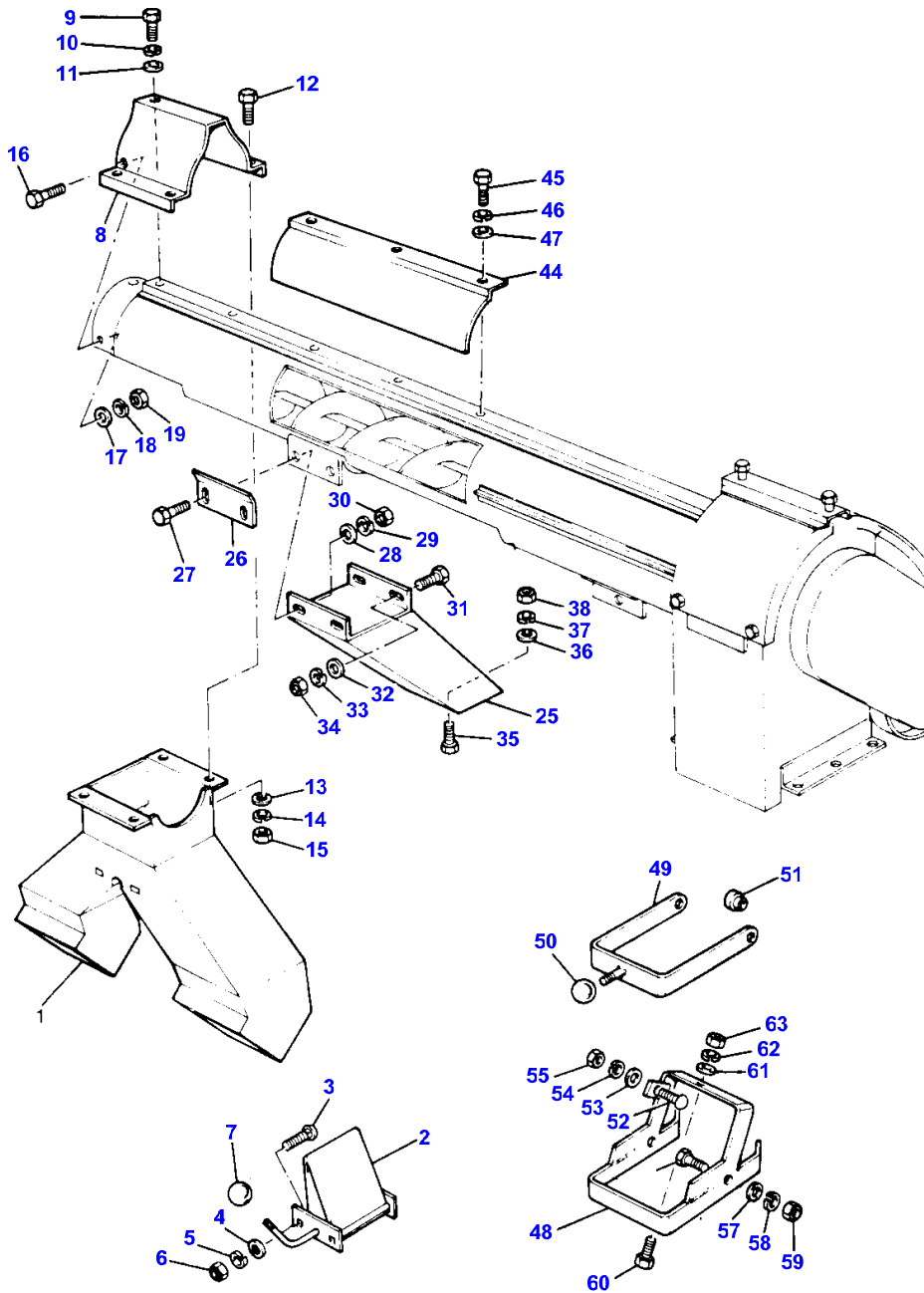
920

BAGGER ATTACHMENT  
 ACCESSOIRE ENSACHEUR  
 ABSACKVORRICHTUNG  
 INSACCATRICE  
 ACCESORIO ENSACADOR

BAG FEED HOUSING  
 CARTER ALIMENTATION SAC  
 ABSACK GEHAEUSE  
 CARCASSA RIEMPIMENTO SACCHI  
 CAJA DE ALIMENTADOR DE SACOS

34773001

3-3477-001-A





**MASSEY FERGUSON****MF 520/525 COMBINES - 819611**

819611

**BAGGER ATTACHMENT BAG FEED HOUSING**

920

Item	Part Number	Qty	Description
1	1892014M91	1	Housing
2	1892015M91	1	Valve
3	353792X1	4	Bolt Unf
4	353755X1	4	Washer
5	353446X1	4	Lock Washer
6	353916X1	4	Nut Unf
7	1892019M1	1	Knob
8	1892013M91	1	Cap
9	353515X1	1	Screw Unf
10	353446X1	1	Lock Washer
11	353755X1	1	Washer
12	353517X1	4	Screw Unf
13	353755X1	4	Washer
14	353446X1	4	Lock Washer
15	353916X1	4	Nut Unf
16	353517X1	2	Screw Unf
17	353755X1	2	Washer
18	353446X1	2	Lock Washer
19	353916X1	2	Nut Unf
25	1892012M91	1	Support
26	1892011M1	1	Clamp
27	353519X1	2	Screw Unf
28	353755X1	2	Washer
29	353446X1	2	Lock Washer
30	353916X1	2	Nut Unf
31	353517X1	2	Screw Unf
32	353755X1	2	Washer
33	353446X1	2	Lock Washer
34	353916X1	2	Nut Unf
35	353519X1	4	Screw Unf
36	353755X1	4	Washer
37	353446X1	4	Lock Washer
38	353916X1	4	Nut Unf
44	1892010M1	1	Cover
45	353515X1	3	Screw Unf
46	353446X1	3	Lock Washer
47	353755X1	3	Washer
48	1892017M91	2	Frame
49	1892016M91	2	Frame
50	1892019M1	2	Knob
51	1892018M1	2	Spacer
52	353792X1	2	Bolt Unf
53	353755X1	2	Washer
54	353446X1	2	Lock Washer
55	353916X1	2	Nut Unf
56	376305X1	4	Screw Unf
57	353755X1	4	Washer
58	353446X1	4	Lock Washer
59	353916X1	4	Nut Unf
60	376305X1	4	Screw Unf
61	353755X1	4	Washer
62	353446X1	4	Lock Washer
63	353916X1	4	Nut Unf

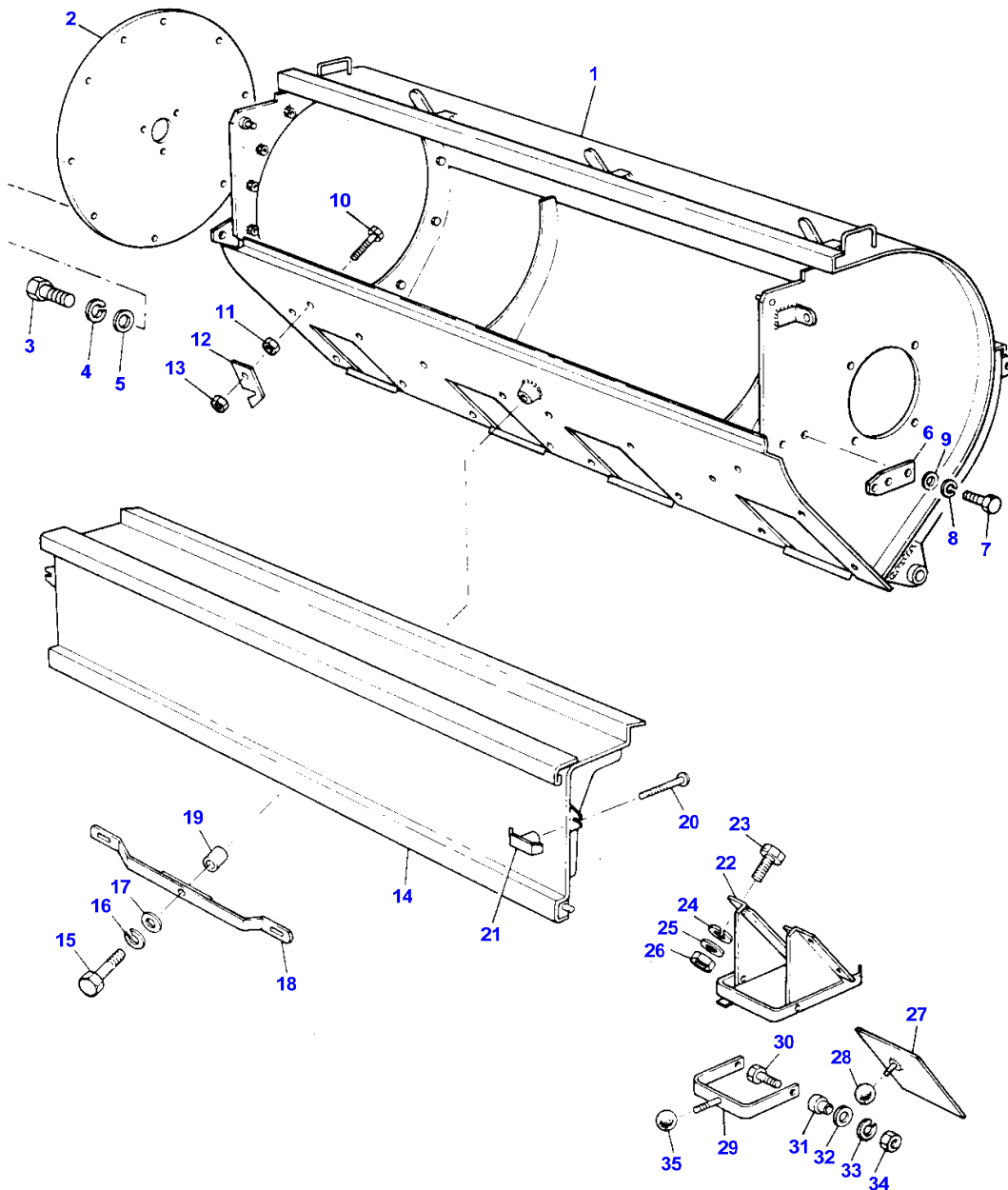
922

BAGGER ATTACHMENT  
 ACCESSOIRE ENSACHEUR  
 ABSACKVORRICHTUNG  
 INSACCATRICE  
 ACCESORIO ENSACADOR

ROTARY SCREEN HOUSING  
 CARTER DE GRILLE ROTATIVE  
 SORTIER ZYLINDER GEHAEUSE  
 CARCASSA ROTANTE PORTA SACCHI  
 CAJA DE CRIBA ROTATIVA

34783001

3-3478-001-A



PRINTED IN U.K.

520 525

819611-H (1)

<b>Item</b>	<b>Part Number</b>	<b>Qty</b>	<b>Description</b>
1	1892098M91	1	Housing
2	1892100M1	1	Plate
3	353517X1	9	Screw Unf
4	353446X1	9	Lock Washer
5	353755X1	9	Washer
6	1892103M1	1	Plate
7	353517X1	2	Screw Unf
8	353446X1	2	Lock Washer
9	353755X1	2	Washer
10	353519X1	2	Screw Unf
11	353916X1	2	Nut Unf
12	1892104M1	2	Latch
13	376447X1	2	Nut Unf
14	1892099M91	1	Door
15	353561X1	1	Screw Unf
16	353432X1	1	Lock Washer
17	353757X1	1	Washer
18	1892105M91	1	Arm
19	1892107M1	1	Bush
20	1892108M1	2	Bolt
21	1892106M91	2	Knob
22	1892101M91	4	Frame
23	353517X1	16	Screw Unf
24	353755X1	16	Washer
25	353446X1	16	Lock Washer
26	353916X1	16	Nut Unf
27	1892102M91	4	Gate
28	1892019M1	4	Knob
29	1892016M91	4	Frame
30	376305X1	8	Screw Unf
31	1892018M1	8	Spacer
32	353755X1	8	Washer
33	353446X1	8	Lock Washer
34	353916X1	8	Nut Unf
35	1892019M1	4	Knob

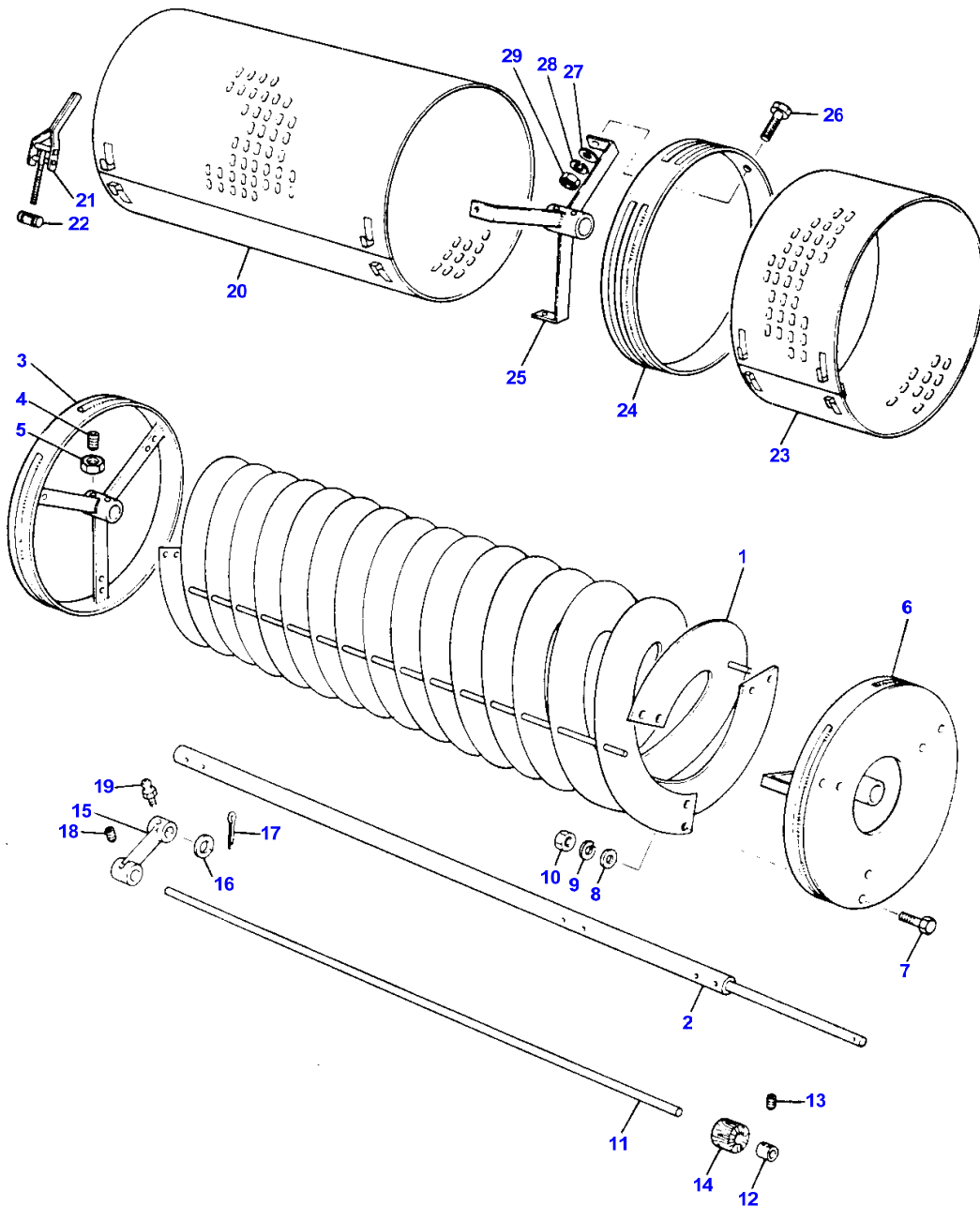
924

BAGGER ATTACHMENT  
 ACCESSOIRE ENSACHEUR  
 ABSACKVORRICHTUNG  
 INSACCATRICE  
 ACCESORIO ENSACADOR

ROTARY SCREEN AUGER  
 VIS DE GRILLE ROTATIVE  
 SORTIER ZYLINDER SCHECKE  
 COCLEA ROTANTE  
 SINFIN DE CRIBA ROTATIVA

34793001

3-3479-001-A



BAGGER ATTATCAMENT ROTARY SCREEN AUGER

Item	Part Number	Qty	Description	Comments
1	1892134M91	1	Auger	
2	1892139M1	1	Shaft	
3	1892135M91	1	Wheel	Left Hand
4	1892149M1	6	Screw	
5	353916X1	6	Nut Unf	
6	1892138M91	1	Wheel	
7	353517X1	12	Screw Unf	
8	353755X1	12	Washer	
9	353446X1	12	Lock Washer	
10	353916X1	12	Nut Unf	
11	1892148M1	1	Rod	
12	1892147M1	4	Boss	
13	1892150M1	8	Screw	
14	1892131M1	36	Roller	
15	1892146M91	2	Arm	
16	353757X1	2	Washer	
17	354057X1	2	Pin	
18	1892150M1	2	Screw	
19	1892151M1	2	Lubricator	
20	1892140M91	1	Screen	(A)
	1892141M91	1	Screen	(B)
21	1892144M91	4	Toggle	
22	1892145M1	4	Bar	
23	1892142M91	1	Screen	(A)
	1892143M91	1	Screen	(B)
24	1892137M91	1	Carrier	
25	1892136M91	1	Carrier	
26	353519X1	3	Screw Unf	
27	353755X1	3	Washer	
28	353446X1	3	Lock Washer	
29	353916X1	3	Nut Unf	

(A)  
WHEAT

(B)  
BARLEY

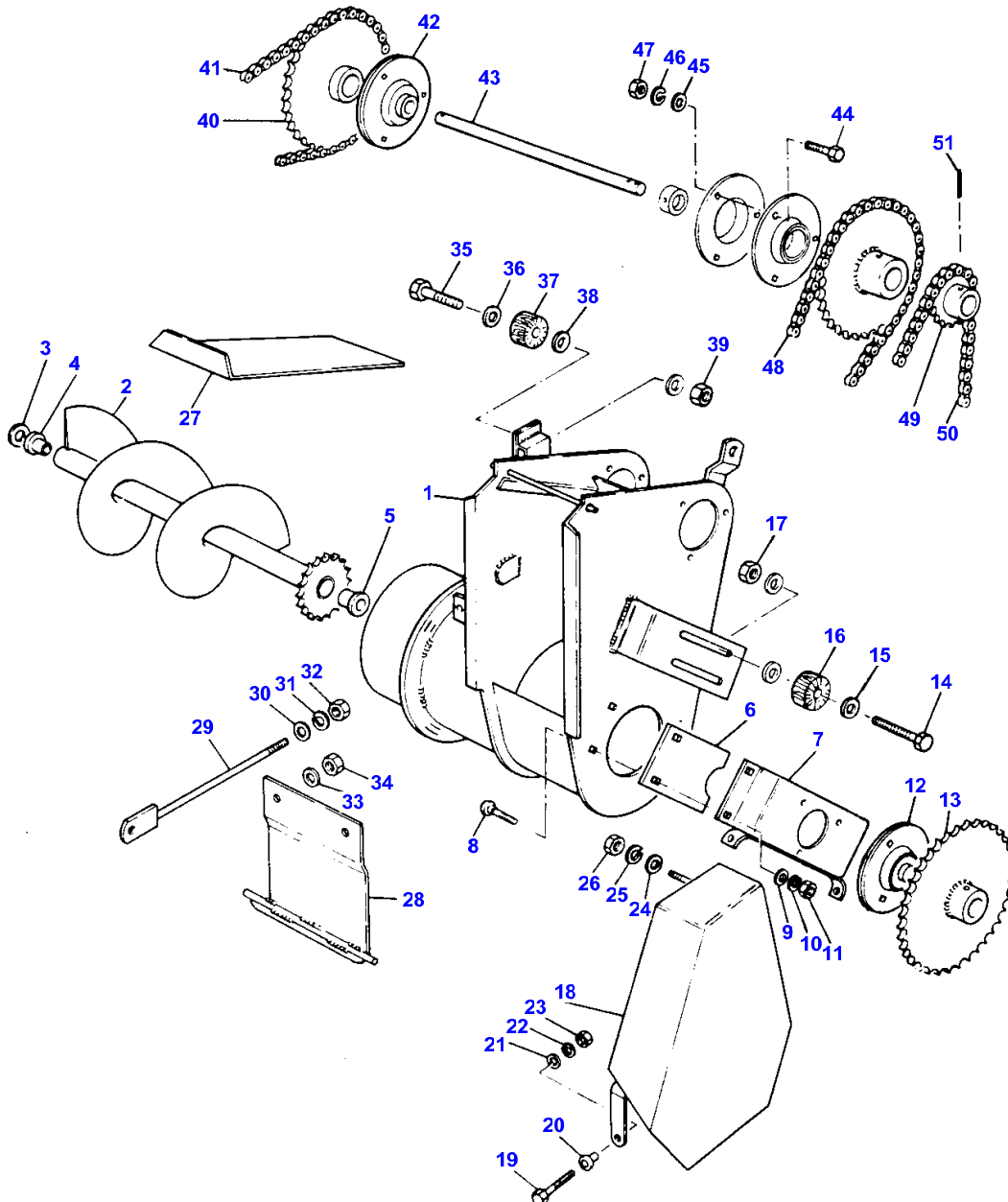
926

BAGGER ATTACHMENT  
 ACCESSOIRE ENSACHEUR  
 ABSACKVORRICHTUNG  
 INSACCATRICE  
 ACCESORIO ENSACADOR

ROTARY SCREEN FEED HOUSING  
 CARTER ALIMENTATION GRILLE RATATI  
 SORTIER ZYLINDER EINZUGSGEHAUSE  
 CARCASSA ALIMENTATRICE ROTANTE  
 CAJA DE ALIMENTADOR DE CRIBA ROTA

34803001

3-3480-001-A



PRINTED IN U.K.

620 625

810611-H (1)

**MASSEY FERGUSON****MF 520/525 COMBINES - 819611**

819611

**BAGGER ATTACHMENT ROTARY SCREEN FEED HOUSING**

926

Item	Part Number	Qty	Description	Comments
1	1892110M91	1	Housing	
2	1892118M91	1	Auger	
3	1892133M1	1	Washer	
4	1892117M1	1	Bush	
5	1892117M1	1	Bush	
6	1892115M1	2	Gate	
7	1892116M91	1	Support	
8	353804X1	4	Bolt Unf	
9	353755X1	4	Washer	
10	353446X1	4	Lock Washer	
11	353916X1	4	Nut Unf	
12	1892130M91	1	Bearing	
13	1892119M91	1	Sprocket	
14	353567X1	2	Bolt Unf	
15	353757X1	4	Washer	
16	1892131M1	2	Roller	
17	353426X1	2	Nut Unf	
18	1892114M91	1	Shield	
19	376305X1	2	Screw Unf	
20	1892132M1	2	Bush	
21	353755X1	2	Washer	
22	353446X1	2	Lock Washer	
23	353916X1	2	Nut Unf	
24	353755X1	1	Washer	
25	353446X1	1	Lock Washer	
26	353916X1	1	Nut Unf	
27	1892111M91	1	Door	
28	1892113M91	1	Trunnion	
29	1892112M91	2	Rod	
30	353757X1	2	Washer	
31	353432X1	2	Lock Washer	
32	353426X1	2	Nut Unf	
33	353755X1	2	Washer	
34	353916X1	2	Nut Unf	
35	353567X1	1	Bolt Unf	
36	353757X1	1	Washer	
37	248560M1	1	Block	
38	353757X1	2	Washer	
39	353426X1	1	Nut Unf	
40	1892120M91	1	Sprocket	
41		1	Chain	5"X86(A)
42	1892129M91	2	Bearing	
43	1892125M1	1	Shaft	
44	353515X1	6	Screw Unf	
45	353755X1	6	Washer	
46	353446X1	6	Lock Washer	
47	353916X1	6	Nut Unf	